



US00D892217S

(12) **United States Design Patent** (10) **Patent No.:** **US D892,217 S**
Tumblety et al. (45) **Date of Patent:** **** Aug. 4, 2020**

- (54) **HYBRID PAYSTATION**
- (71) Applicant: **Crane Payment Innovations, Inc.**,
Malvern, PA (US)
- (72) Inventors: **Gareth Edward Tumblety**, Horwich
(GB); **Christopher Robert Marks**,
Philadelphia, PA (US); **Robert Clauser**,
Columbus, NJ (US); **Ryan Harding**
Bimes, Philadelphia, PA (US); **Robert**
James Blythin, Philadelphia, PA (US)
- (73) Assignee: **Crane Payment Innovations, Inc.**,
Malvern, PA (US)
- (**) Term: **15 Years**
- (21) Appl. No.: **29/703,127**
- (22) Filed: **Aug. 23, 2019**

- D530,880 S 10/2006 Magee et al.
- D534,705 S 1/2007 Kang et al.
- D684,745 S * 6/2013 Reuter D14/900
- D766,540 S * 9/2016 Lee D99/28
- D769,569 S * 10/2016 Kennedy D99/28
- D769,572 S 10/2016 Park et al.
- D779,148 S * 2/2017 Lee D99/28
- D781,024 S 3/2017 King et al.
- D787,774 S 5/2017 Shin
- D792,049 S * 7/2017 Oh D99/28
- D794,274 S 8/2017 Mangeot

(Continued)

OTHER PUBLICATIONS

Paypod Hybrid, posted at Youtube.com, posted on Mar. 6, 2018, site visited Jun. 20, 2019. online, available from internet: <https://www.youtube.com/watch?v=5Hcdi186Sro> (Year: 2018).

Primary Examiner — Mary Ann Calabrese
Assistant Examiner — Catherine Ho

Related U.S. Application Data

- (62) Division of application No. 29/638,117, filed on Feb. 23, 2018, now Pat. No. Des. 874,569.
- (51) **LOC (12) Cl.** **20-01**
- (52) **U.S. Cl.**
USPC **D20/1**
- (58) **Field of Classification Search**
USPC D20/1-9; D15/79, 81, 89; D99/28
CPC G06Q 20/18; G07F 7/00; G07F 7/025;
G07F 7/08; G07F 7/12; G07F 11/00;
G07F 11/02; G07F 11/62; G07F 11/165;
G07F 7/069; G07F 17/40
See application file for complete search history.

References Cited

U.S. PATENT DOCUMENTS

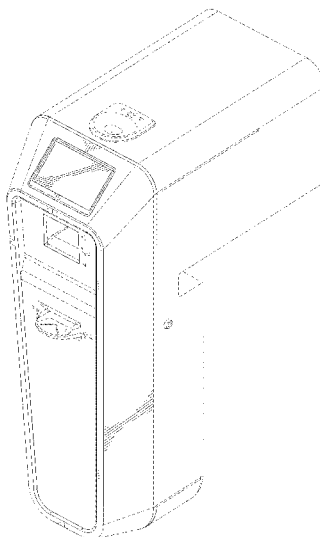
- D419,277 S 1/2000 Ishii et al.
- D454,421 S 3/2002 Jeon et al.
- D481,518 S 10/2003 Magee et al.
- D511,358 S 11/2005 Forster et al.

- (57) **CLAIM**
The ornamental design for a hybrid paystation, as shown and described.

DESCRIPTION

FIG. 1 is a perspective view of a hybrid paystation showing the new design;
FIG. 2 is a front view thereof;
FIG. 3 is a rear view thereof;
FIG. 4 is a right side view thereof;
FIG. 5 is a left side view thereof;
FIG. 6 is a top view thereof;
FIG. 7 is a bottom view thereof;
FIG. 8 is a front perspective view thereof;
FIG. 9 is a rear perspective view thereof; and,
FIG. 10 is a rear perspective view thereof.
The broken lines present in the drawings are included for the purpose of illustrating portions of the article which form no part of the claimed design.

1 Claim, 10 Drawing Sheets



(56)

References Cited

U.S. PATENT DOCUMENTS

D795,523	S	8/2017	King et al.	
D803,507	S *	11/2017	Park	D99/28
D806,979	S *	1/2018	Gerlach	D99/28
D825,133	S *	8/2018	Park	D99/28
D825,134	S *	8/2018	Birnie	D99/28
D832,553	S *	10/2018	Angelopoulos	D99/28
D833,704	S *	11/2018	Kraft	D99/28
D839,529	S	1/2019	Nelson et al.	
D846,641	S *	4/2019	Seidl	D20/1
D847,452	S	4/2019	Angelopoulos et al.	
2019/0272681	A1 *	9/2019	King	G07F 17/248

* cited by examiner

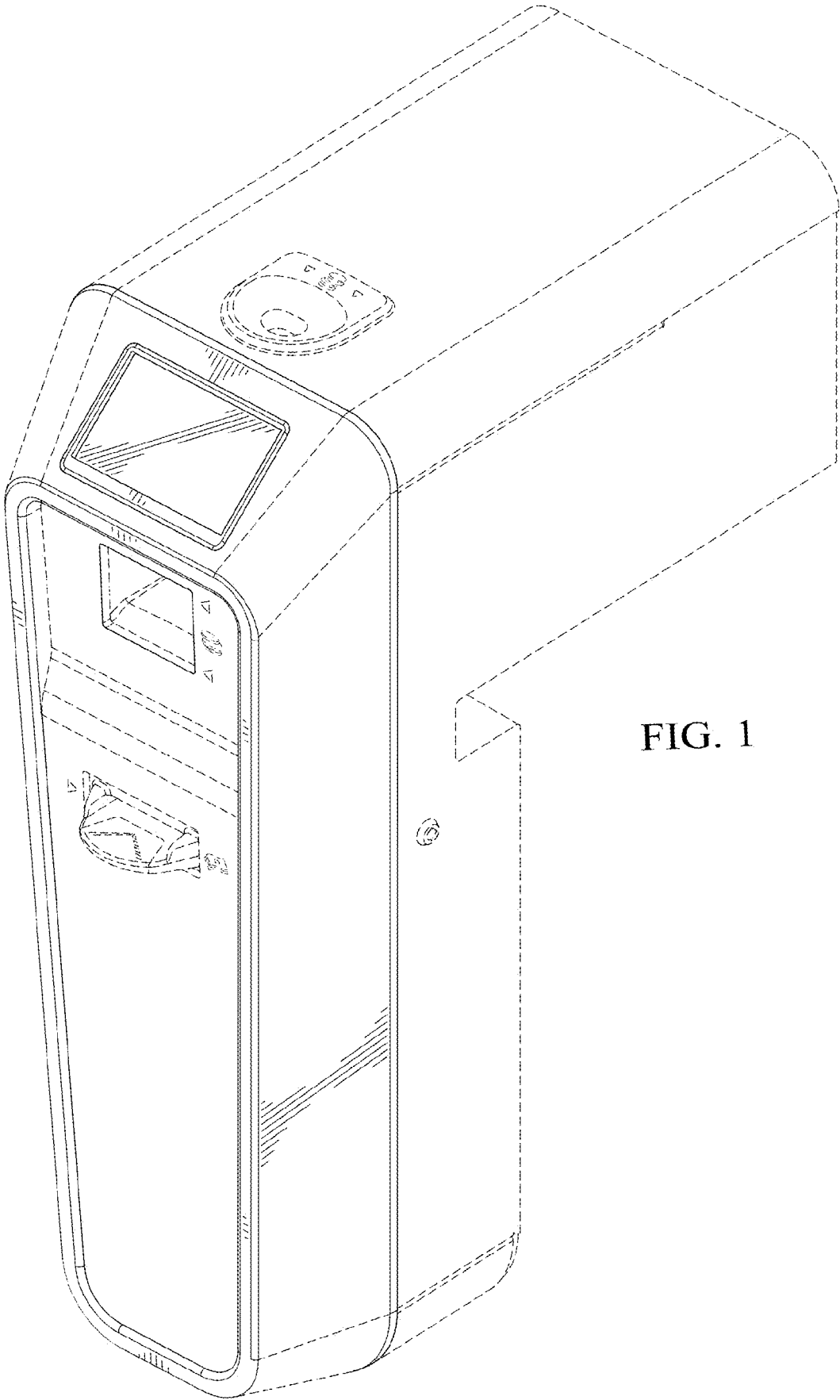


FIG. 1

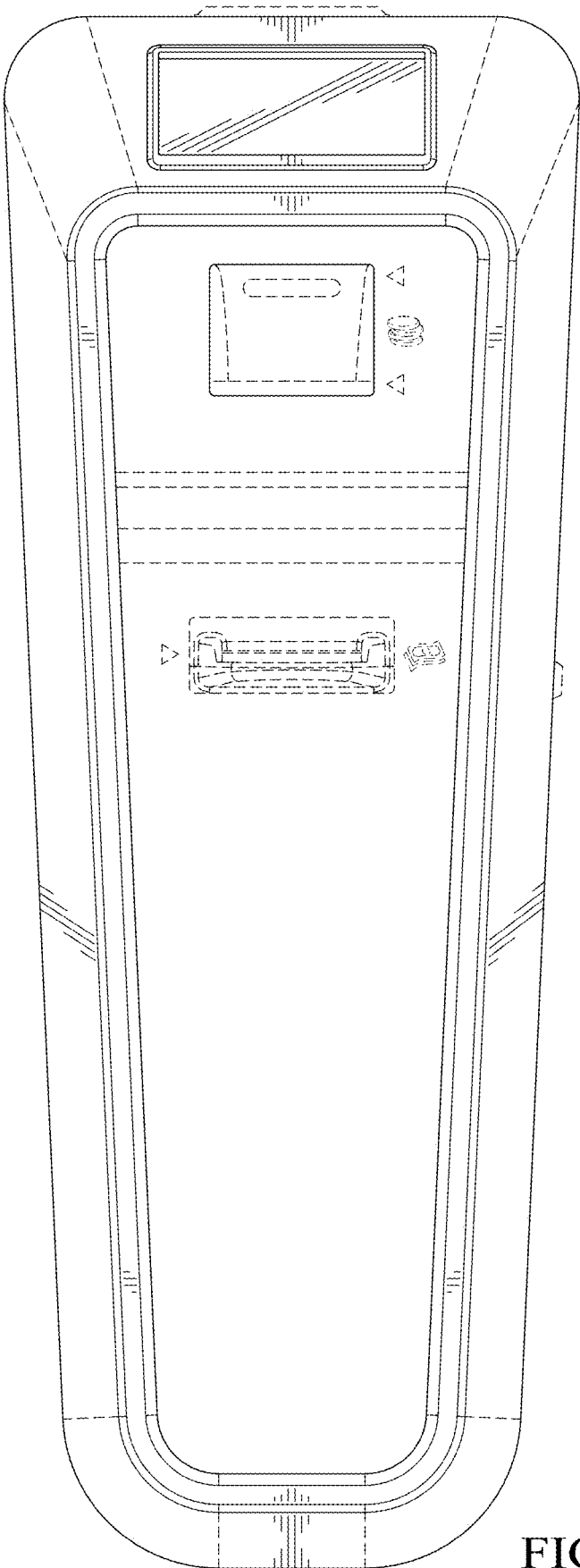


FIG. 2

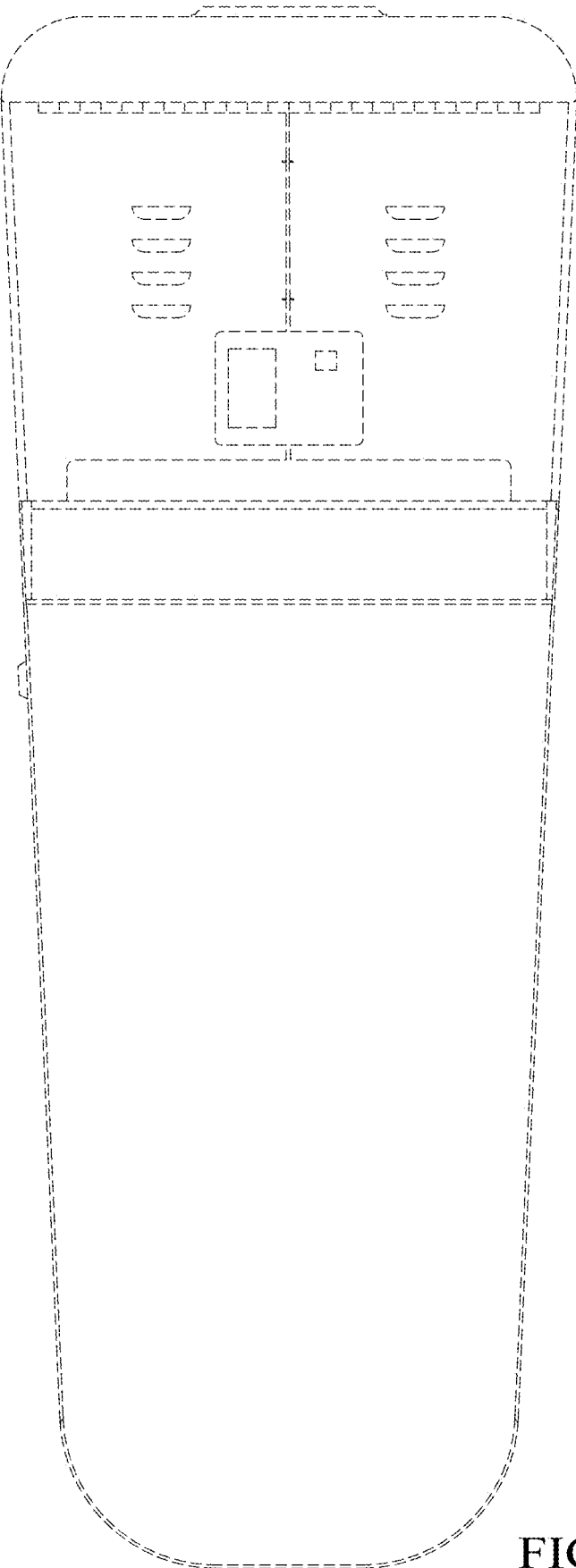


FIG. 3

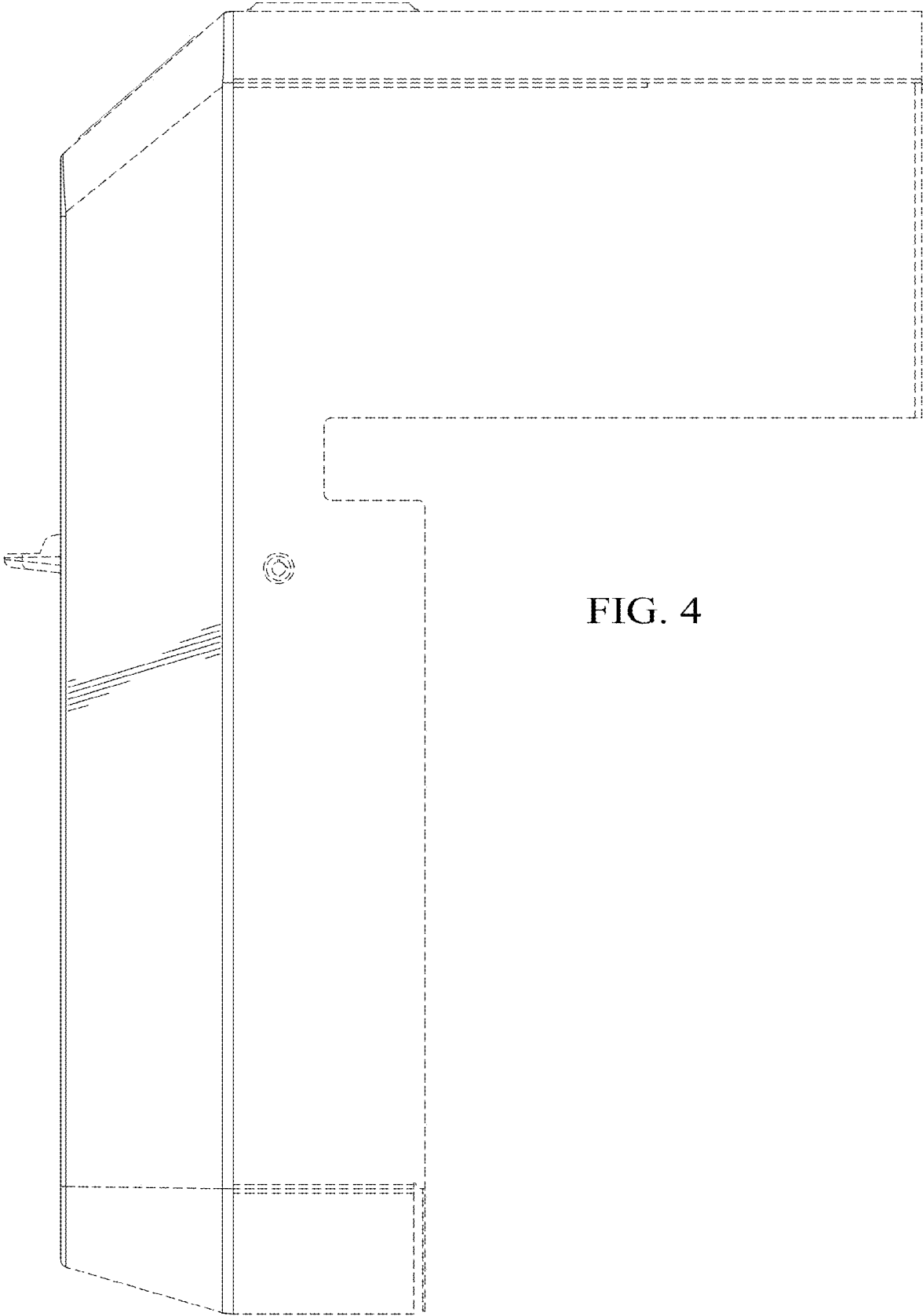


FIG. 4

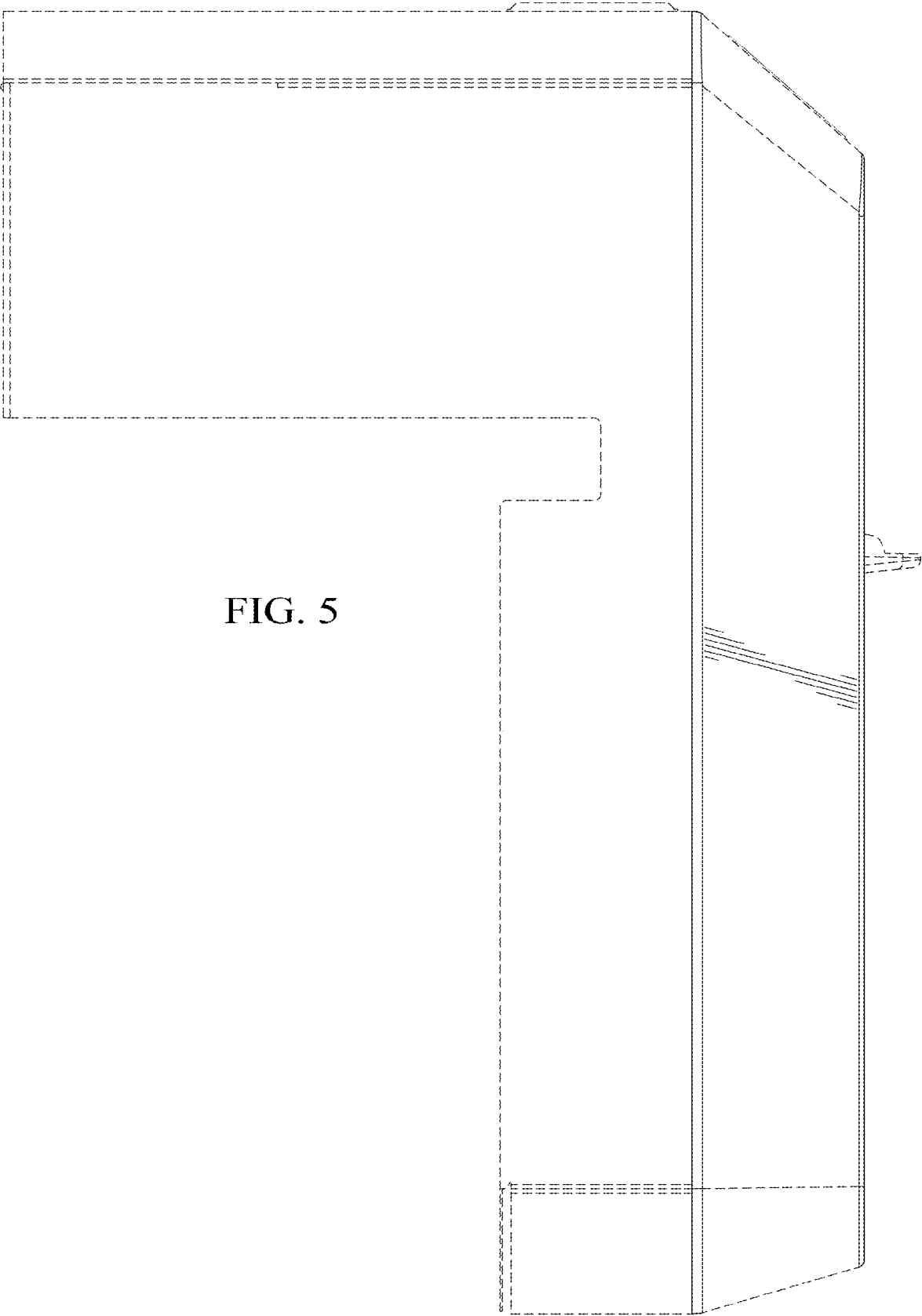


FIG. 5

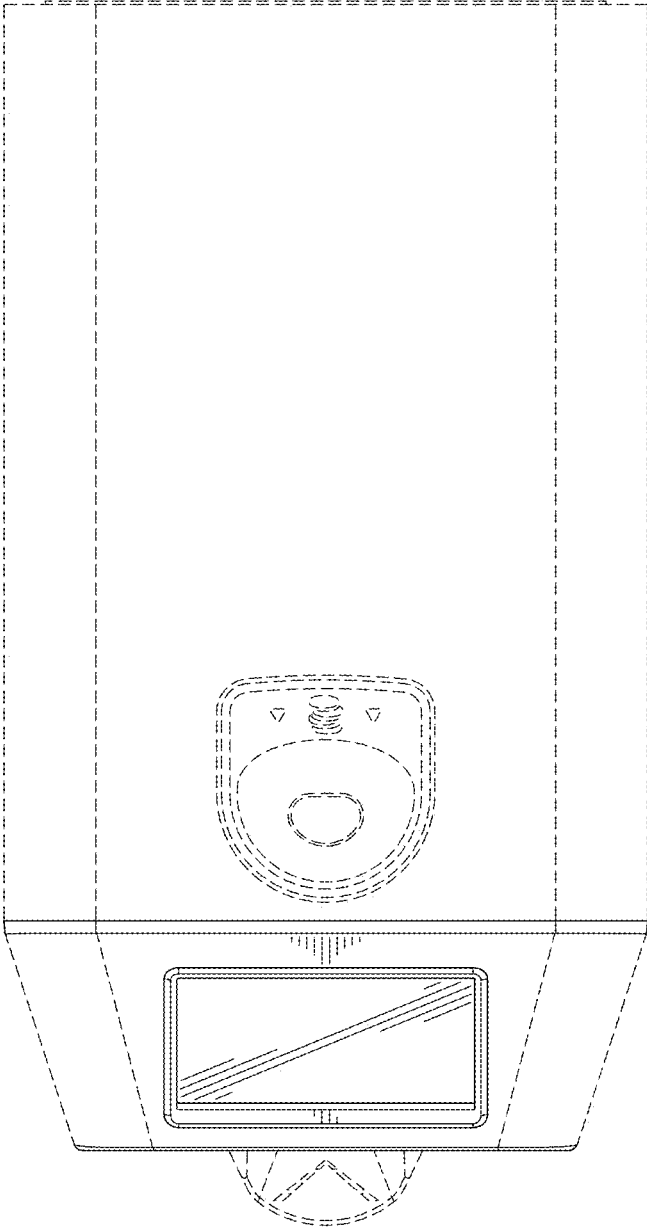


FIG. 6

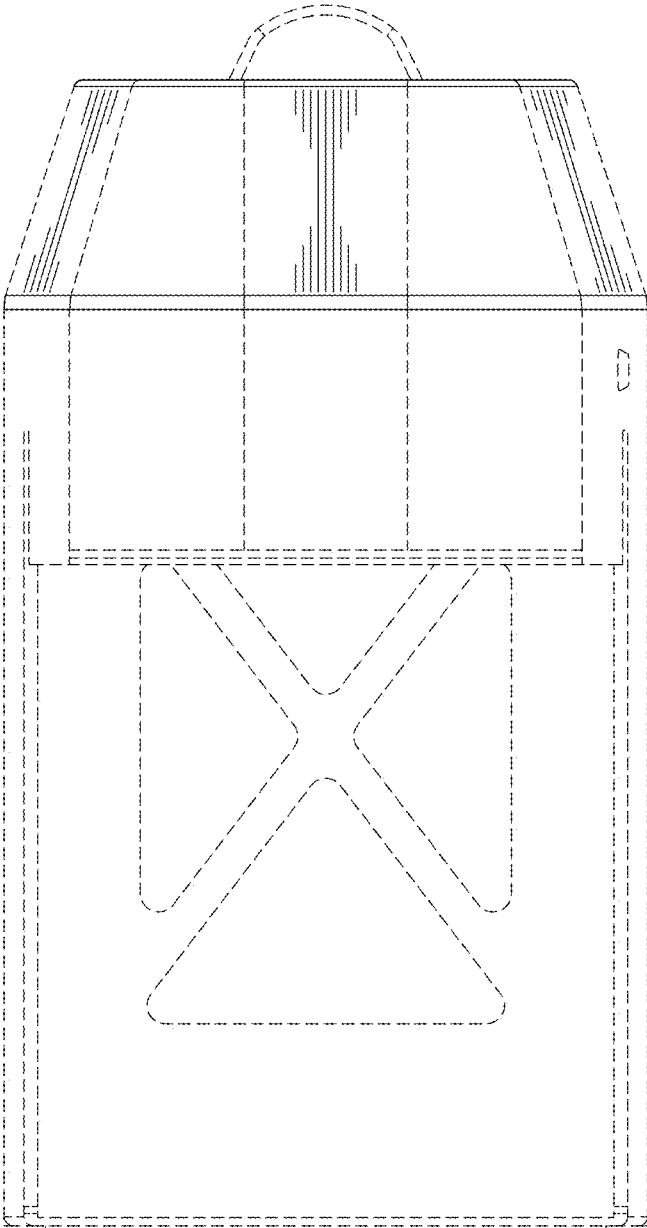


FIG. 7

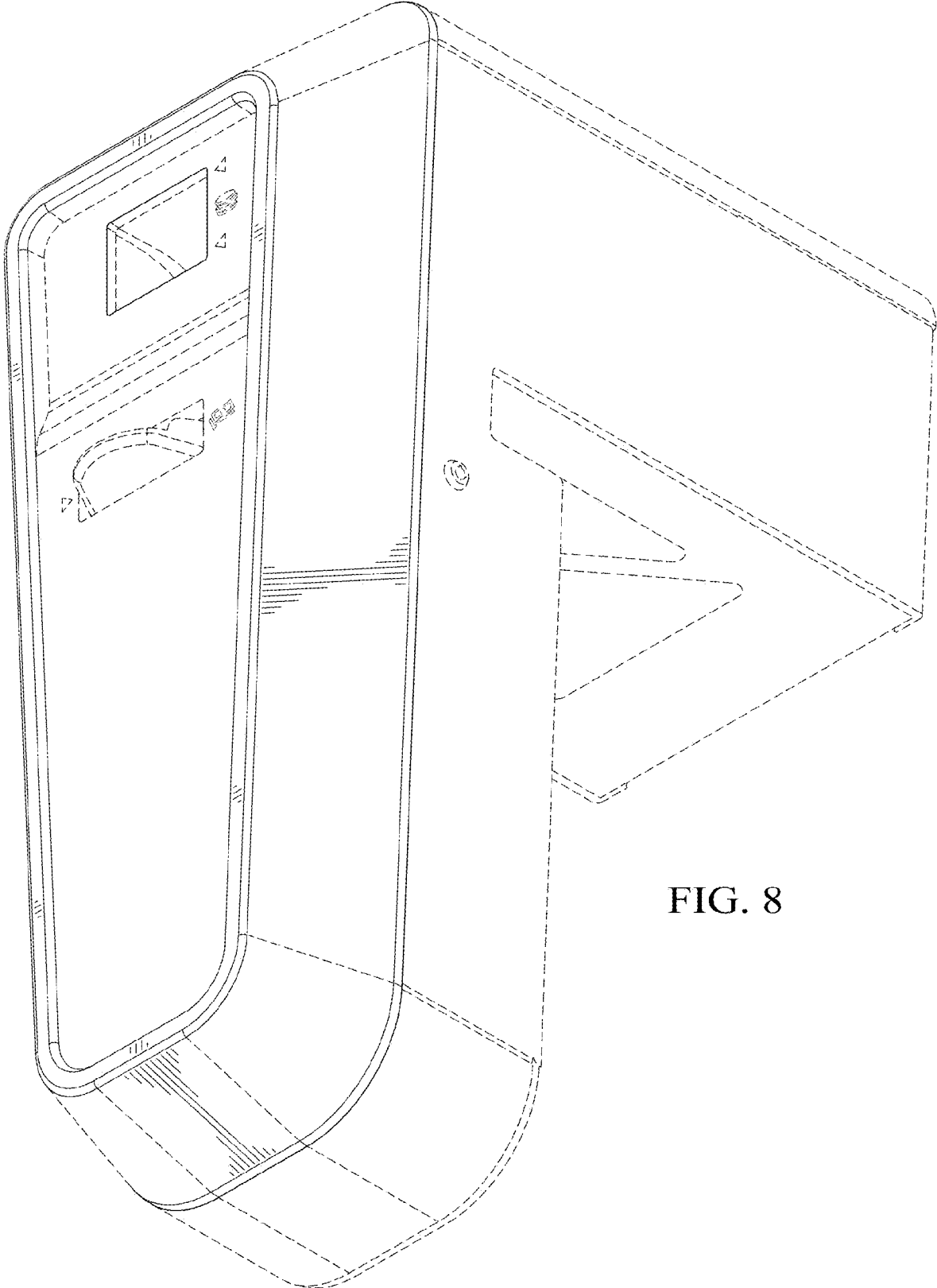


FIG. 8

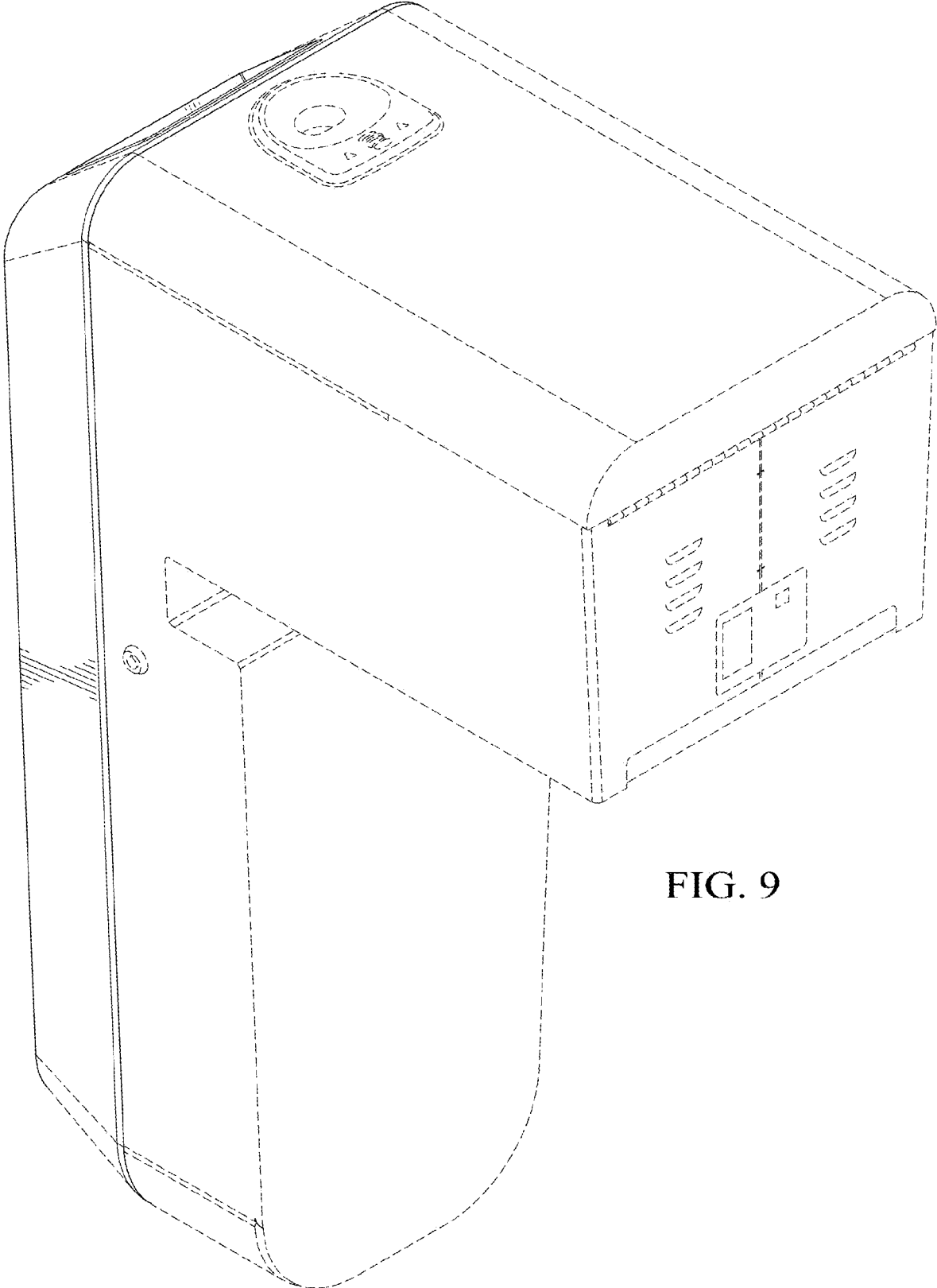


FIG. 9

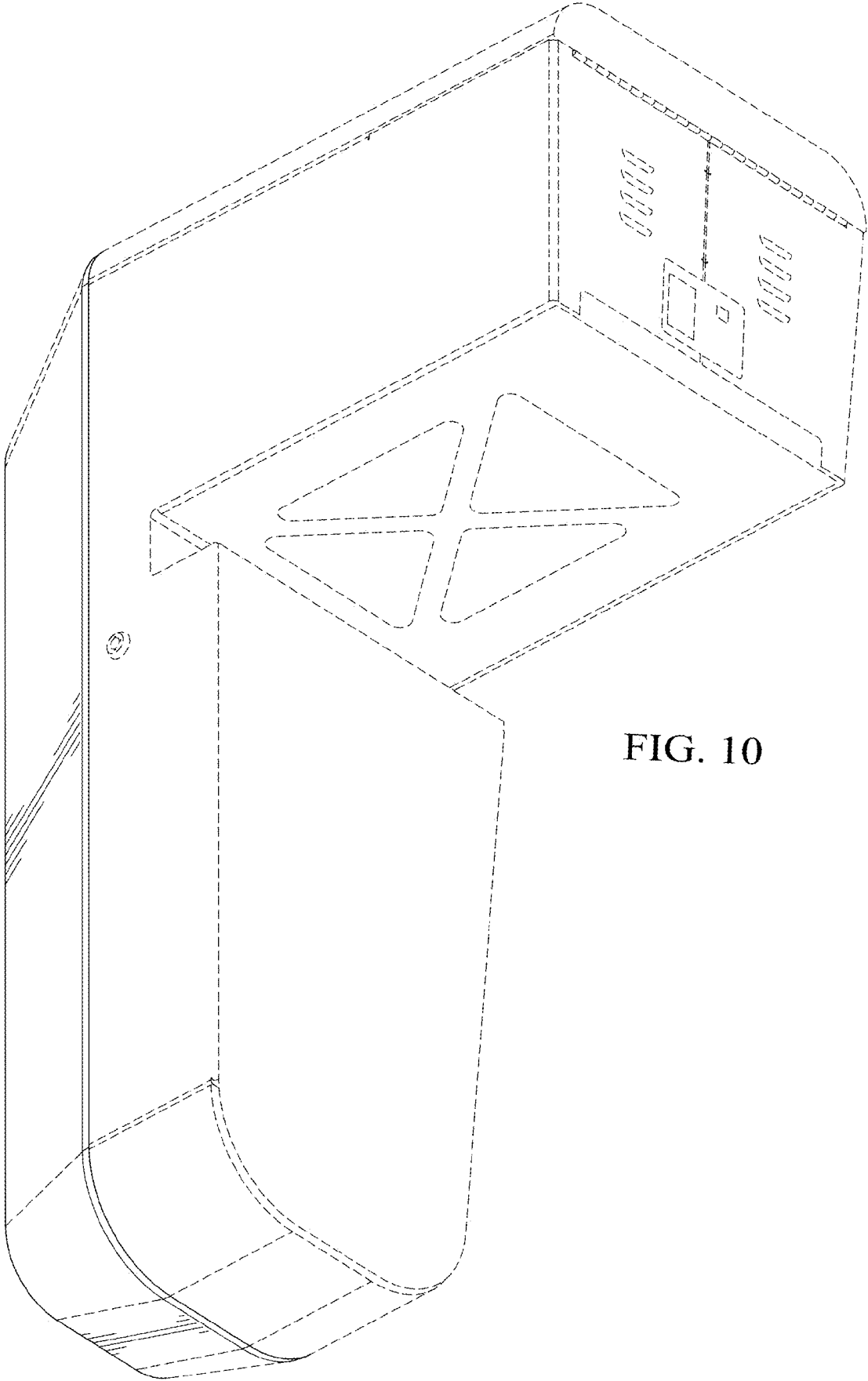


FIG. 10