



(12) **United States Design Patent**
Lisberg

(10) **Patent No.:** **US D835,260 S**
(45) **Date of Patent:** **** Dec. 4, 2018**

(54) **DELIVERY ASSIST DEVICE FOR METERED DOSE INHALER**

5,848,588 A * 12/1998 Foley A61M 15/0086
128/200.23
D412,979 S * 8/1999 Weinstein D24/110
6,026,807 A * 2/2000 Puderbaugh A61M 15/0086
128/200.14

(71) Applicant: **ABITHAS, LLC**, River Forest, IL (US)

(72) Inventor: **Edward E. Lisberg**, River Forest, IL (US)

(Continued)

(73) Assignee: **Abithas, LLC**, River Forest, IL (US)

(**) Term: **15 Years**

OTHER PUBLICATIONS

(21) Appl. No.: **29/599,714**

Martin, Lawrence, M.D., FACP, FCCP. 10 Common Misconceptions & Errors in Treating Asthma. Lakeside Press. Date published: 2008. Retrieved from the internet. <<https://web.archive.org/web/20090202055350/http://www.lakesidepress.com/pulmonary/10errors-asthma.htm>> (Year: 2008).*

(22) Filed: **Apr. 6, 2017**

Primary Examiner — Eric L Goodman

(51) **LOC (11) Cl.** **29-02**

Assistant Examiner — Lilyana Bekic

(52) **U.S. Cl.**
USPC **D24/110**

(74) *Attorney, Agent, or Firm* — Knechtel, Demeur & Samlan

(58) **Field of Classification Search**
USPC ... D24/108, 110, 110.1, 110.4, 110.5, 110.6,
D24/129, 164
CPC A61M 2202/064; A61M 15/0025; A61M
15/00; A61M 15/0065; A61M 15/0026;
A61M 11/00; A61M 15/0088
See application file for complete search history.

(57) **CLAIM**

I claim the ornamental design for a delivery assist device for metered dose inhaler, as shown and described.

(56) **References Cited**

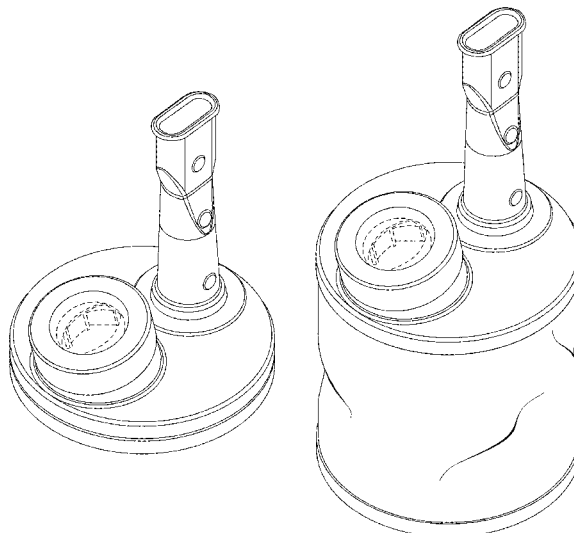
U.S. PATENT DOCUMENTS

4,796,614	A *	1/1989	Nowacki	A61M 15/0086	128/200.14
5,012,803	A *	5/1991	Foley	A61M 15/0086	128/200.14
5,012,804	A *	5/1991	Foley	A61M 15/0086	128/200.14
5,042,467	A *	8/1991	Foley	A61M 15/0086	128/200.14
5,203,323	A *	4/1993	Tritle	A61M 15/0086	128/200.23
5,318,016	A *	6/1994	Mecikalski	A61M 15/0086	128/200.14
5,816,240	A *	10/1998	Komesaroff	A61M 15/0086	128/200.23

DESCRIPTION

FIG. 1 is a top perspective view taken of a delivery assist device for metered dose inhaler in a collapsed condition showing my new design;
FIG. 2 is a left side view thereof;
FIG. 3 is a rear view thereof;
FIG. 4 is a front view thereof;
FIG. 5 is a right side view thereof;
FIG. 6 is a top view thereof;
FIG. 7 is a bottom view thereof; and,
FIG. 8 is a top perspective view of a delivery assist device for metered dose inhaler in an expanded condition.
The broken lines in the drawings depict portions of the delivery assist device for metered dose inhaler that form no part of the claimed design.

1 Claim, 8 Drawing Sheets



(56)

References Cited

U.S. PATENT DOCUMENTS

6,039,042	A *	3/2000	Sladek	A61M 15/0086 128/200.23	2011/0226242	A1 *	9/2011	Von Hollen	A61M 15/009 128/203.12
6,557,549	B2 *	5/2003	Schmidt	A61M 15/0086 128/200.24	2011/0232636	A1 *	9/2011	Von Hollen	A61M 15/0086 128/202.13
8,528,543	B2 *	9/2013	Barney	A61D 7/04 128/200.14	2011/0247624	A1 *	10/2011	Von Hollen	A61M 16/209 128/205.23
D717,424	S *	11/2014	Steelman	D24/110	2012/0247460	A1 *	10/2012	Stenzler	A61M 15/0086 128/203.12
D735,316	S *	7/2015	Steelman	D24/110	2012/0285236	A1 *	11/2012	Haartsen	A61M 11/005 73/204.11
2002/0069870	A1 *	6/2002	Farmer	A61M 15/0086 128/200.22	2012/0318261	A1 *	12/2012	Newhouse	A61M 15/0086 128/200.23
2003/0205226	A1 *	11/2003	Gallem	A61M 15/0086 128/200.14	2013/0075393	A1 *	3/2013	Haynie	B65D 37/00 220/6
2004/0050869	A1 *	3/2004	Jennings	A61M 15/009 222/183	2013/0276781	A1 *	10/2013	Steelman	A61M 15/0086 128/203.12
2004/0231665	A1 *	11/2004	Lieberman	A61M 15/0086 128/200.14	2013/0291862	A1 *	11/2013	Eagle	A61M 15/0086 128/203.12
2007/0113841	A1 *	5/2007	Fuchs	A61F 9/0008 128/200.14	2015/0059739	A1 *	3/2015	Aslam	A61M 15/009 128/202.22
2009/0007909	A1 *	1/2009	Carrico	A61M 15/0045 128/203.15	2016/0256641	A1 *	9/2016	Lisberg	A61M 15/0088

* cited by examiner

Fig. 1

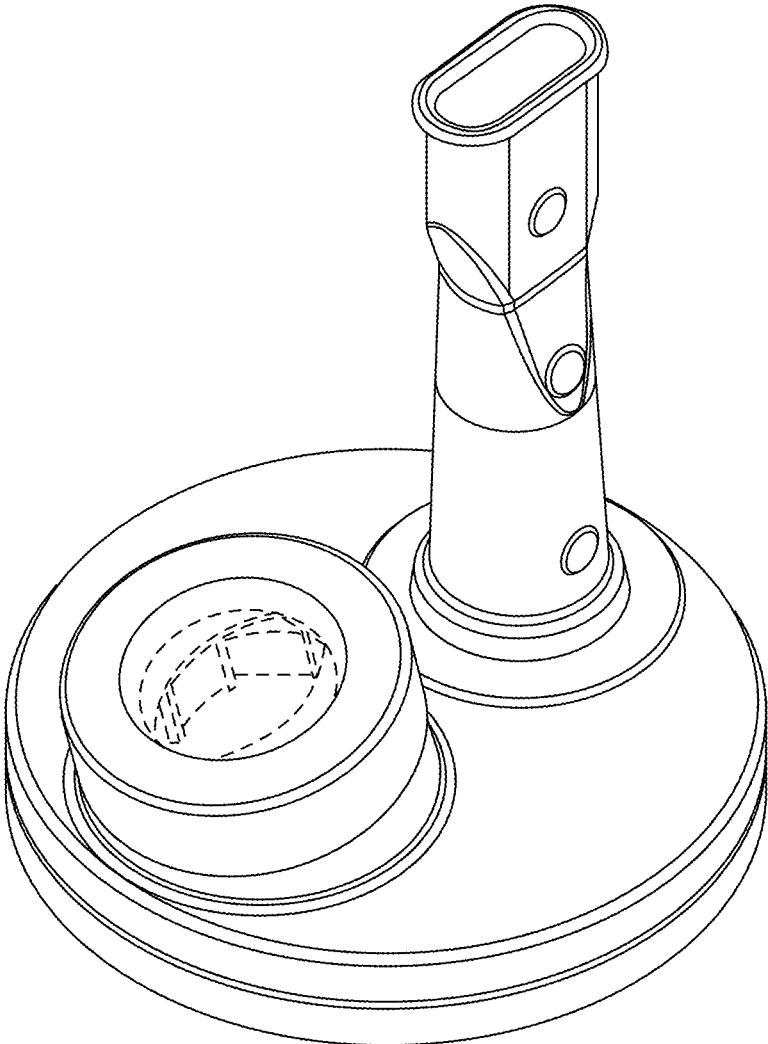


Fig. 2

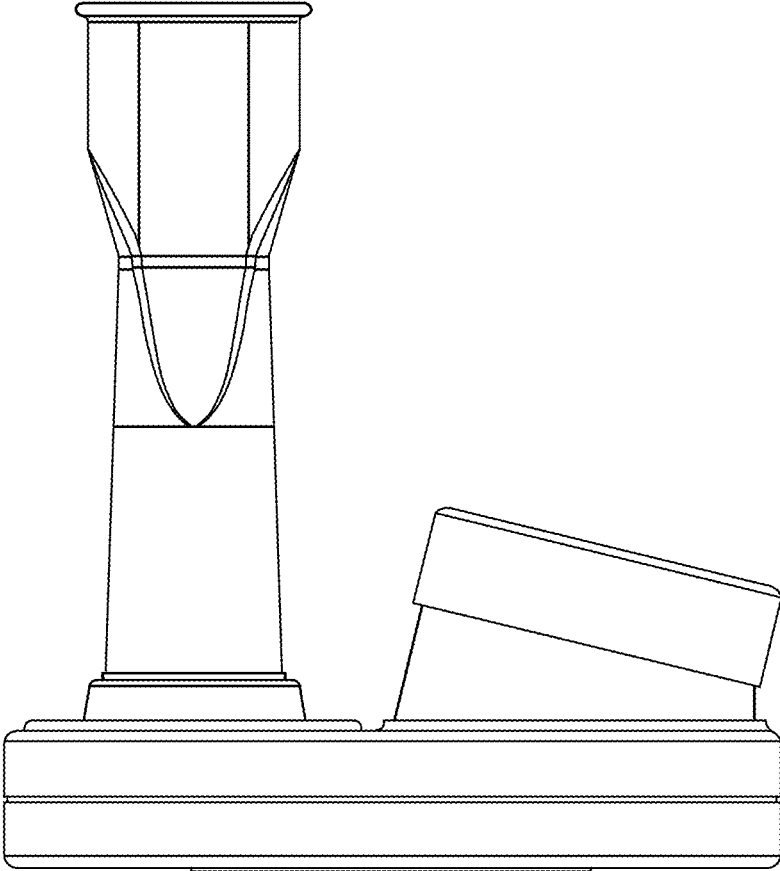


Fig. 3

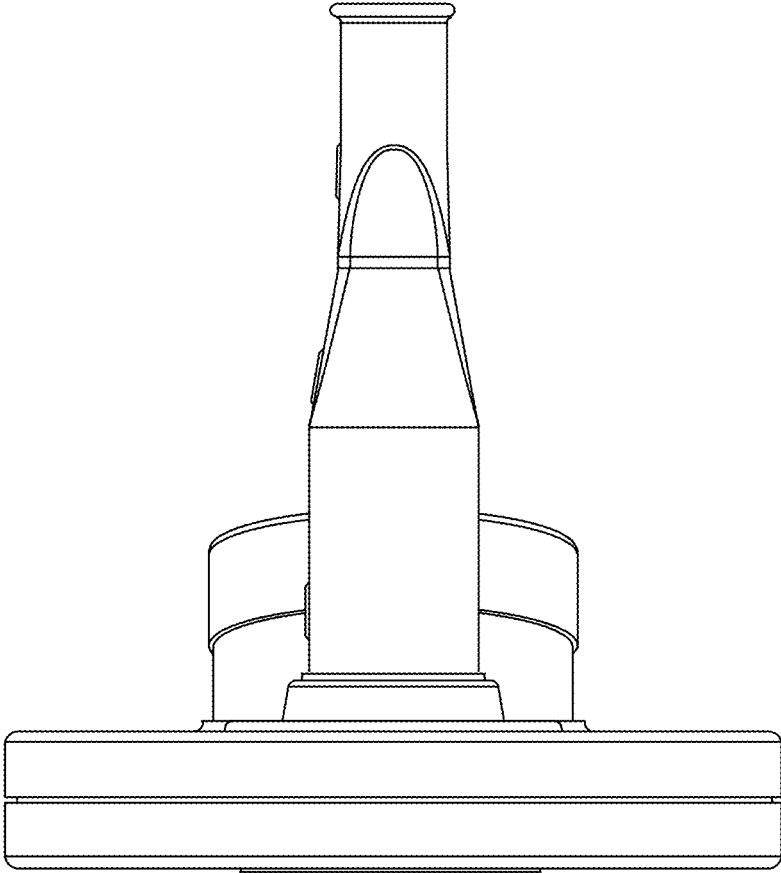


Fig. 4

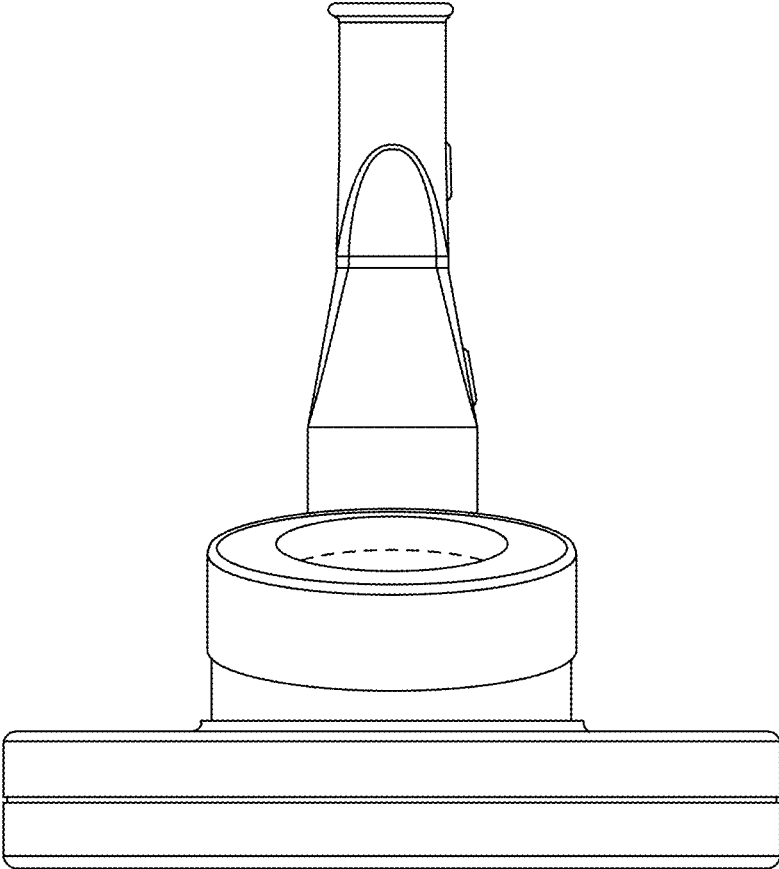


Fig. 5

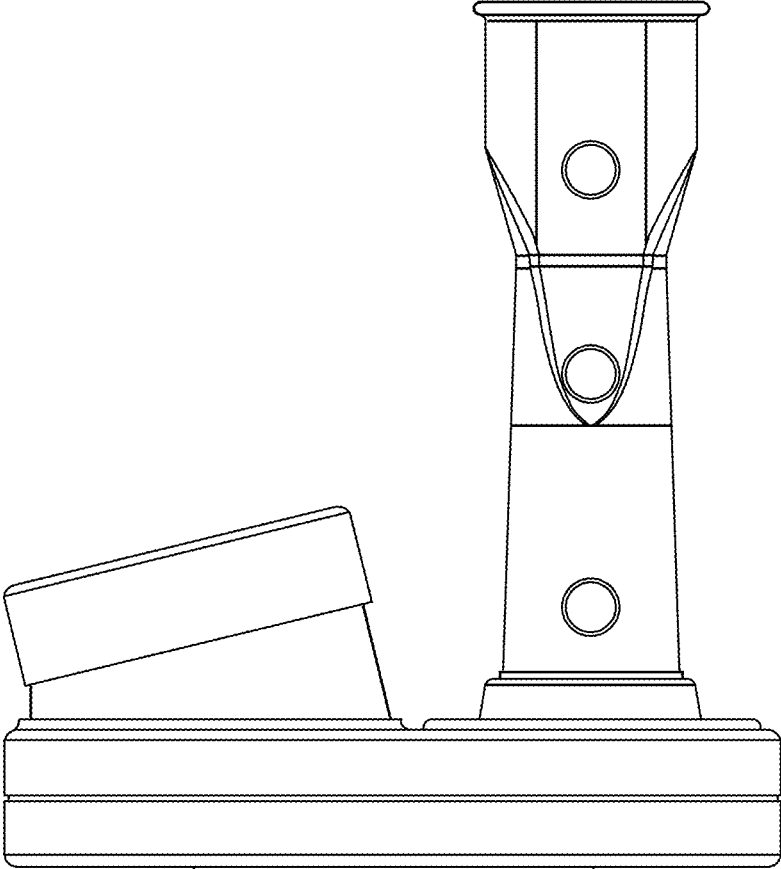


Fig. 7

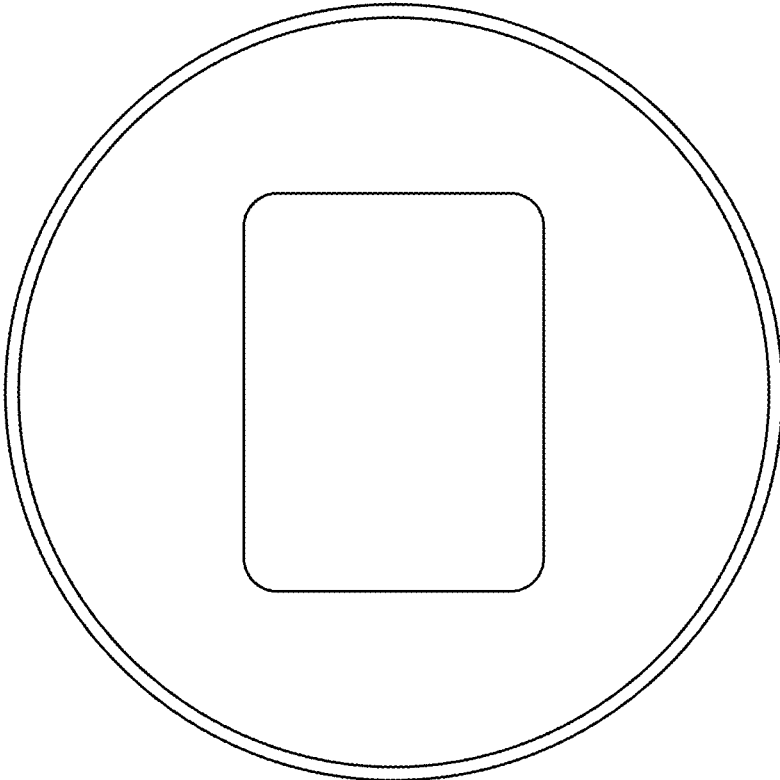


Fig. 8

