



US00D421113S

United States Patent [19]

[11] Patent Number: Des. 421,113

Zuege

[45] Date of Patent: ** Feb. 22, 2000

[54] **COMBINED CEILING FAN AND LIGHT FIXTURE**

Attorney, Agent, or Firm—Garrison, Morris & Haight, PLLC

[75] Inventor: **Bradford C. Zuege**, Memphis, Tenn.

[57] CLAIM

[73] Assignee: **Hunter Fan Company**, Memphis, Tenn.

The ornamental design for a combined ceiling fan and light fixture, as shown and described.

[**] Term: **14 Years**

DESCRIPTION

[21] Appl. No.: **29/101,400**

FIG. 1 is a perspective view of a combined ceiling fan and light fixture showing my new design;

[22] Filed: **Mar. 3, 1999**

FIG. 2 is a perspective view of the design shown in FIG. 1 with the environmental structure removed therefrom;

[51] **LOC (7) Cl.** **23-04**

FIG. 3 is a front view of FIG. 2;

[52] **U.S. Cl.** **D23/377**

FIG. 4 is a right-side view of FIG. 2;

[58] **Field of Search** D23/377, 379, D23/385, 411, 413; D26/59, 51, 72, 81-86, 80; 416/5; 392/364, 96

FIG. 5 is a rear view of FIG. 2;

FIG. 6 is a left-side view of FIG. 2;

FIG. 7 is a top view of FIG. 2;

FIG. 8 is a bottom view of FIG. 2;

[56] **References Cited**

FIG. 9 is an enlarged perspective view of FIG. 2, with the fan blades shown broken away for ease of illustration.

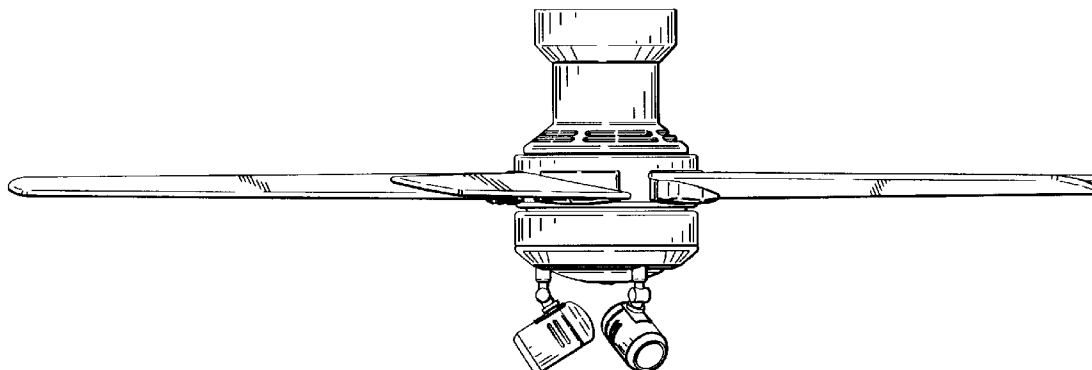
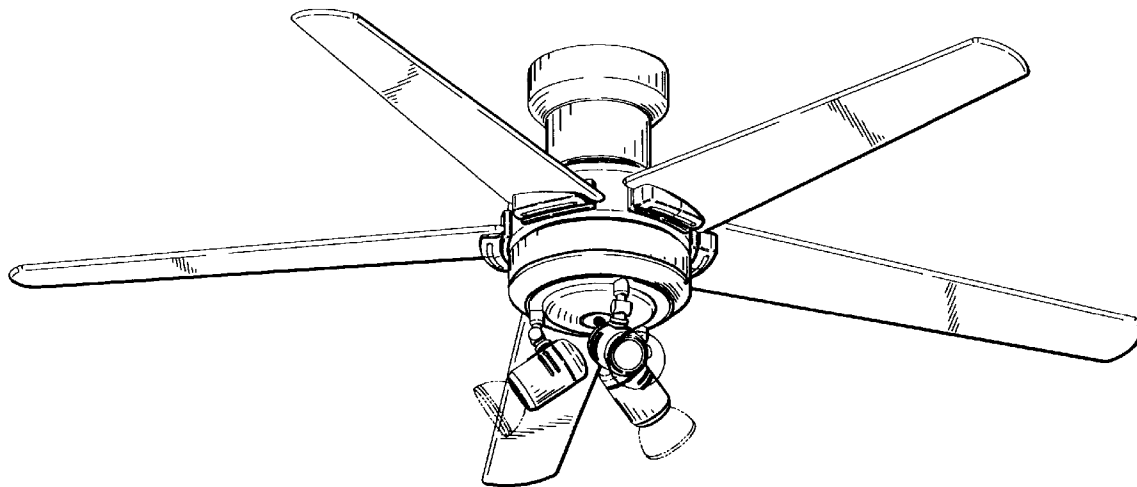
PUBLICATIONS

The broken line showing of environmental structure shown in FIG. 1 is for illustrative purposes only and forms no part of the claimed design.

Casablanca Fan Co. Cat., p. 20, Ceiling Fan (A), top right side of page, and p. 29, Ceiling Fan (B), top right side of page.

Primary Examiner—Lisa Lichtenstein

1 Claim, 9 Drawing Sheets



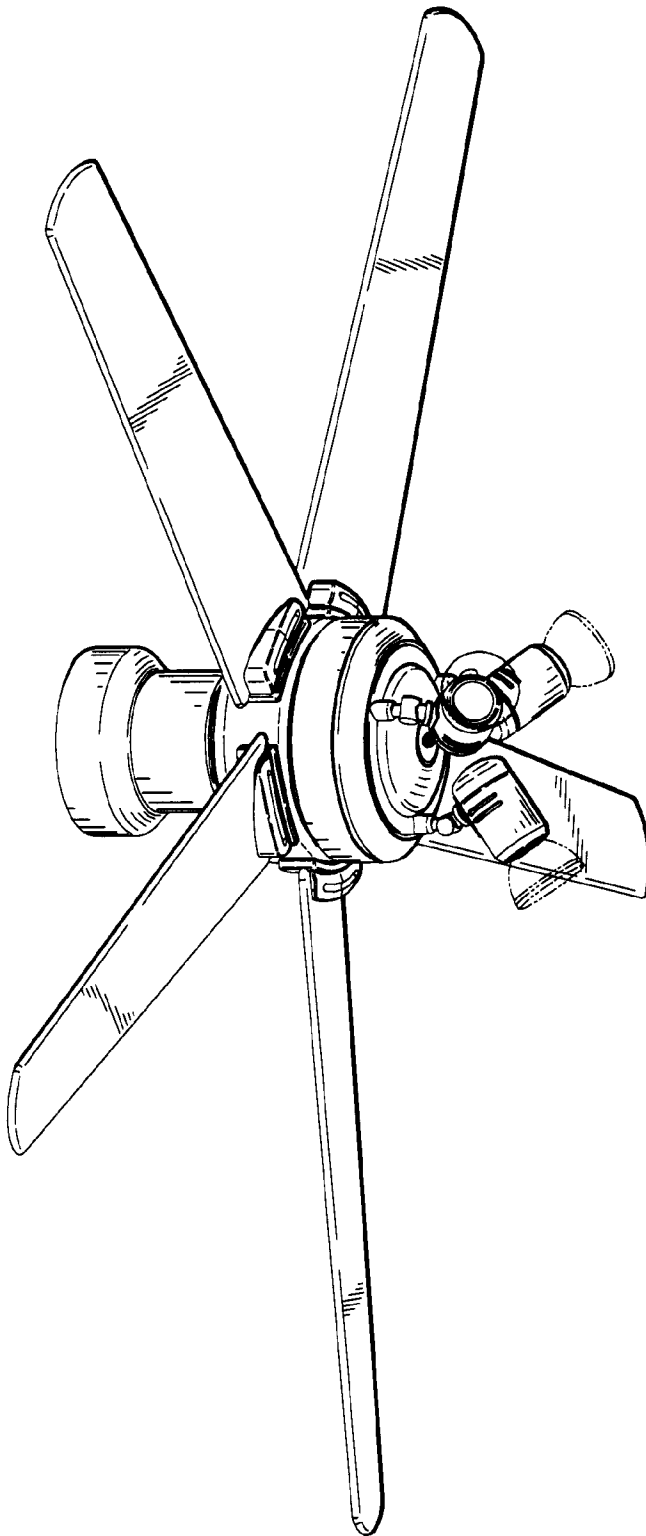


FIG 1

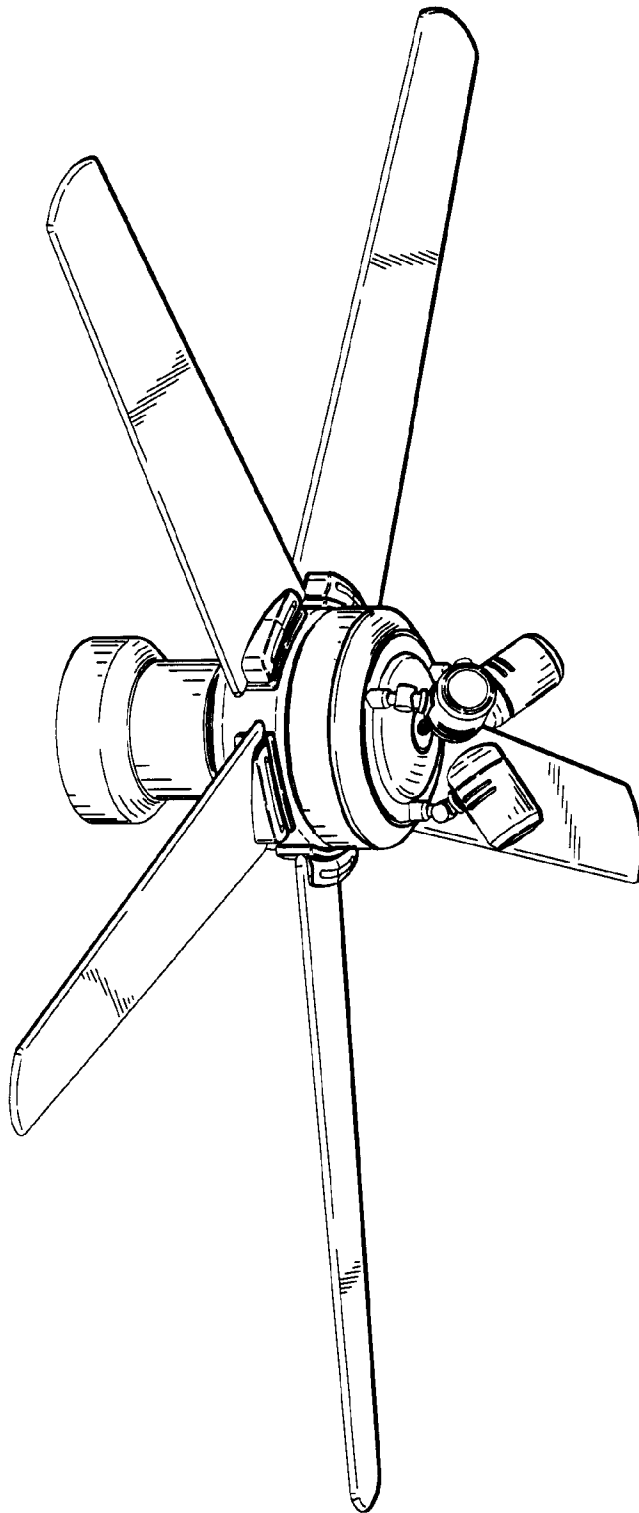


FIG 2

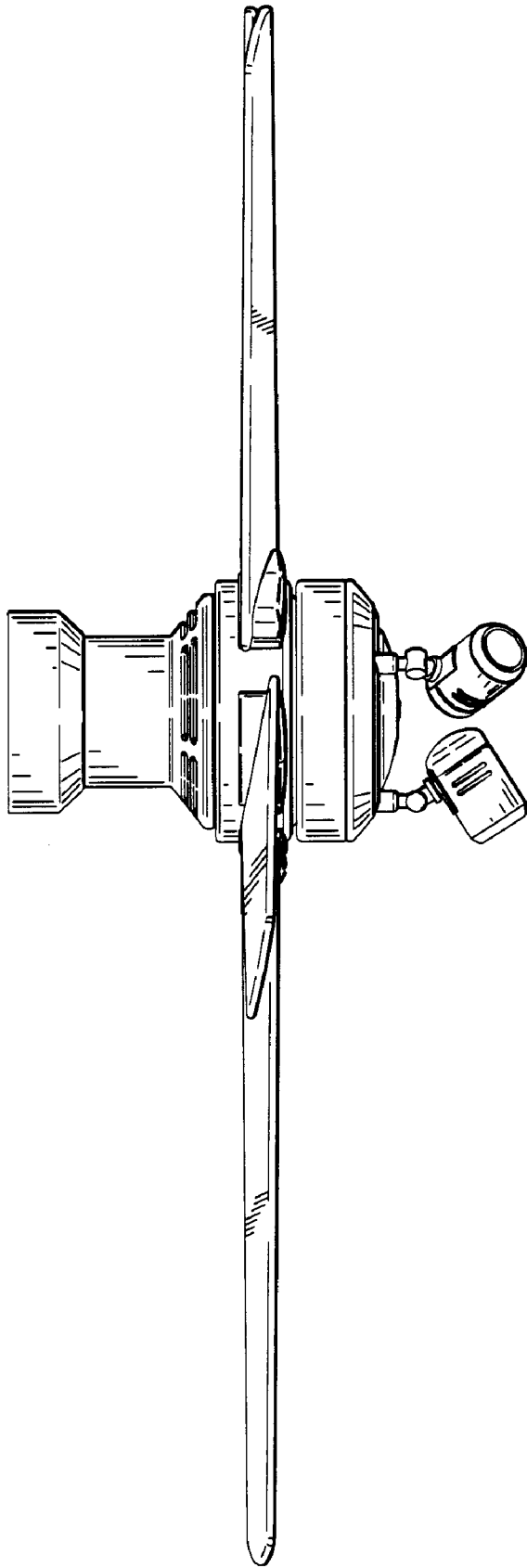


FIG 3

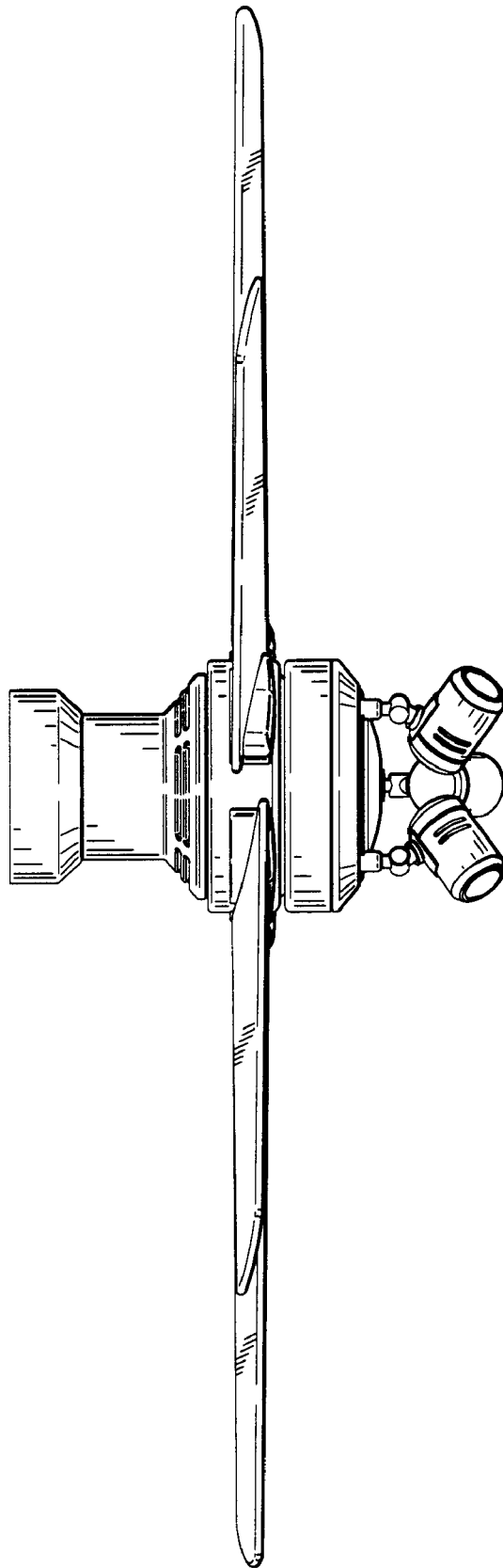


FIG 4

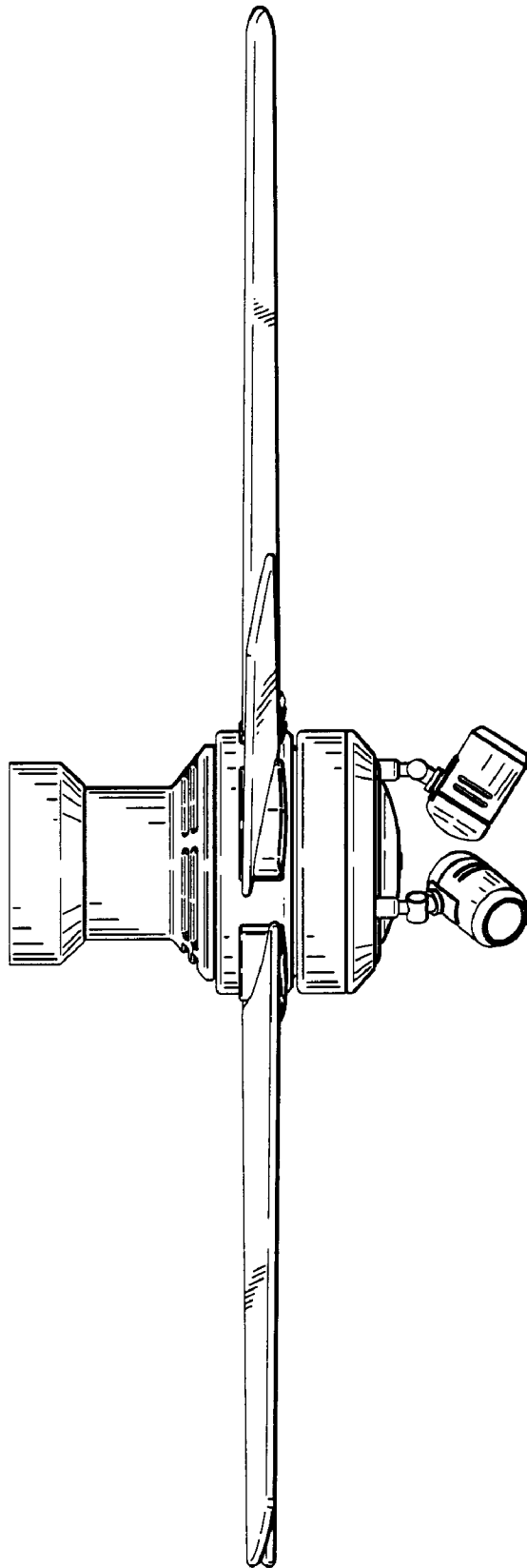


FIG 5

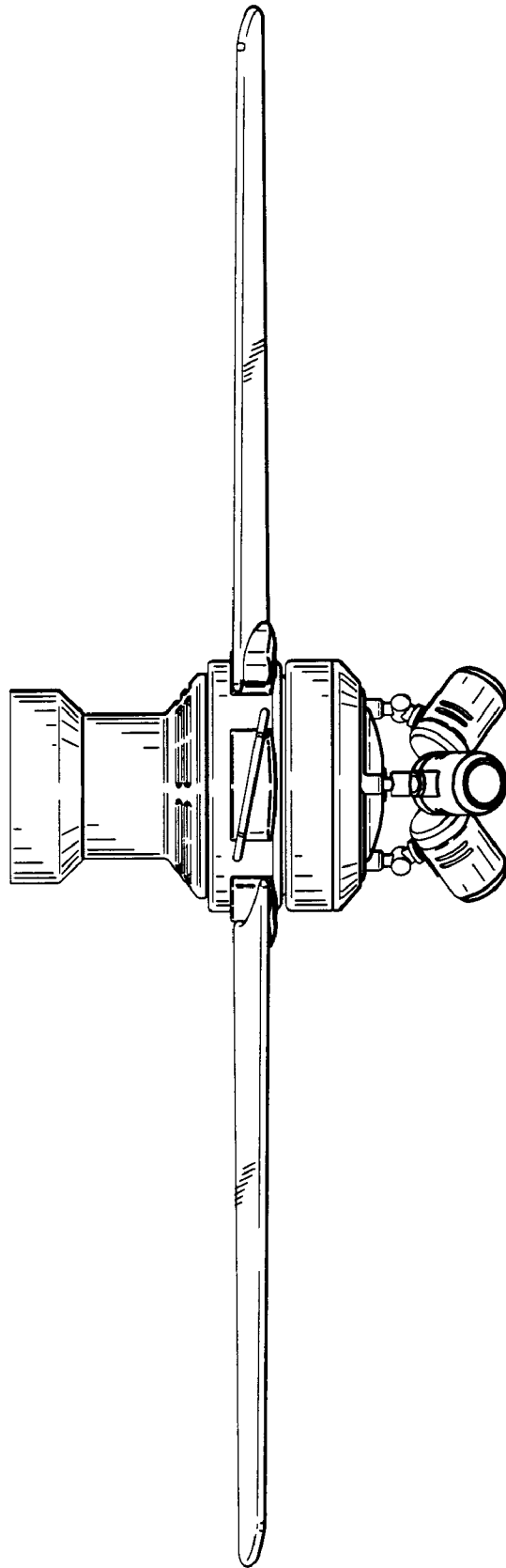


FIG 6

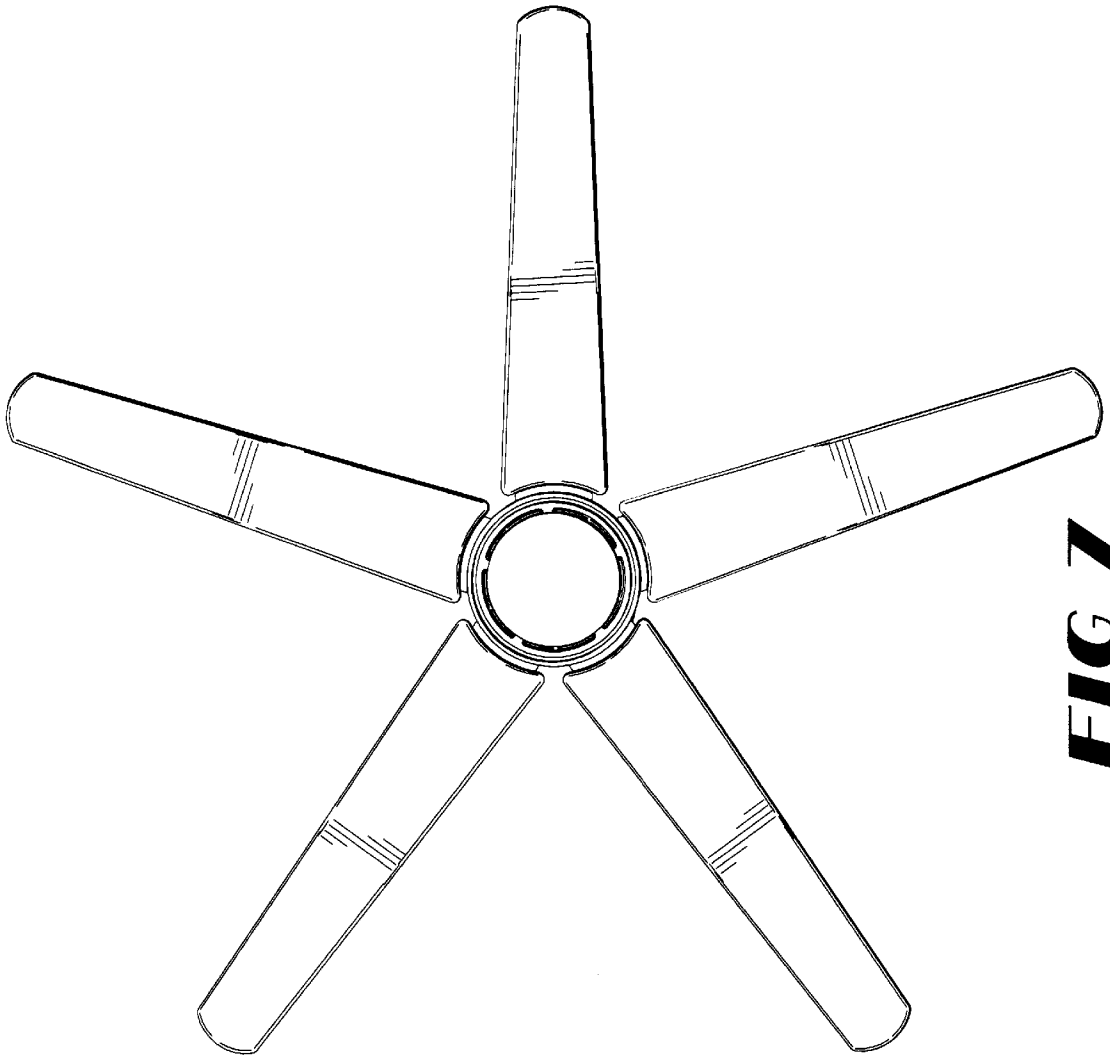


FIG 7

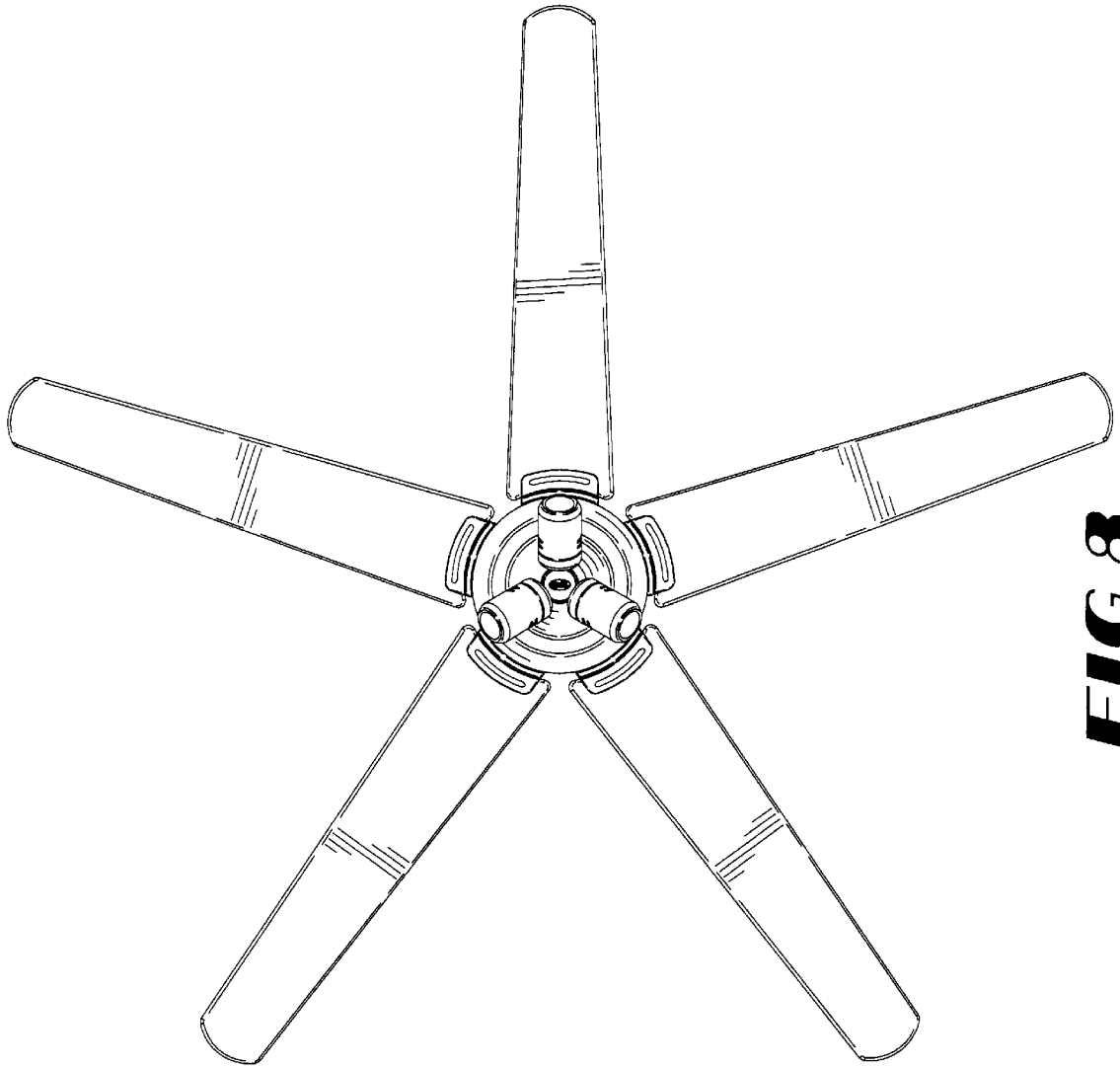


FIG 8

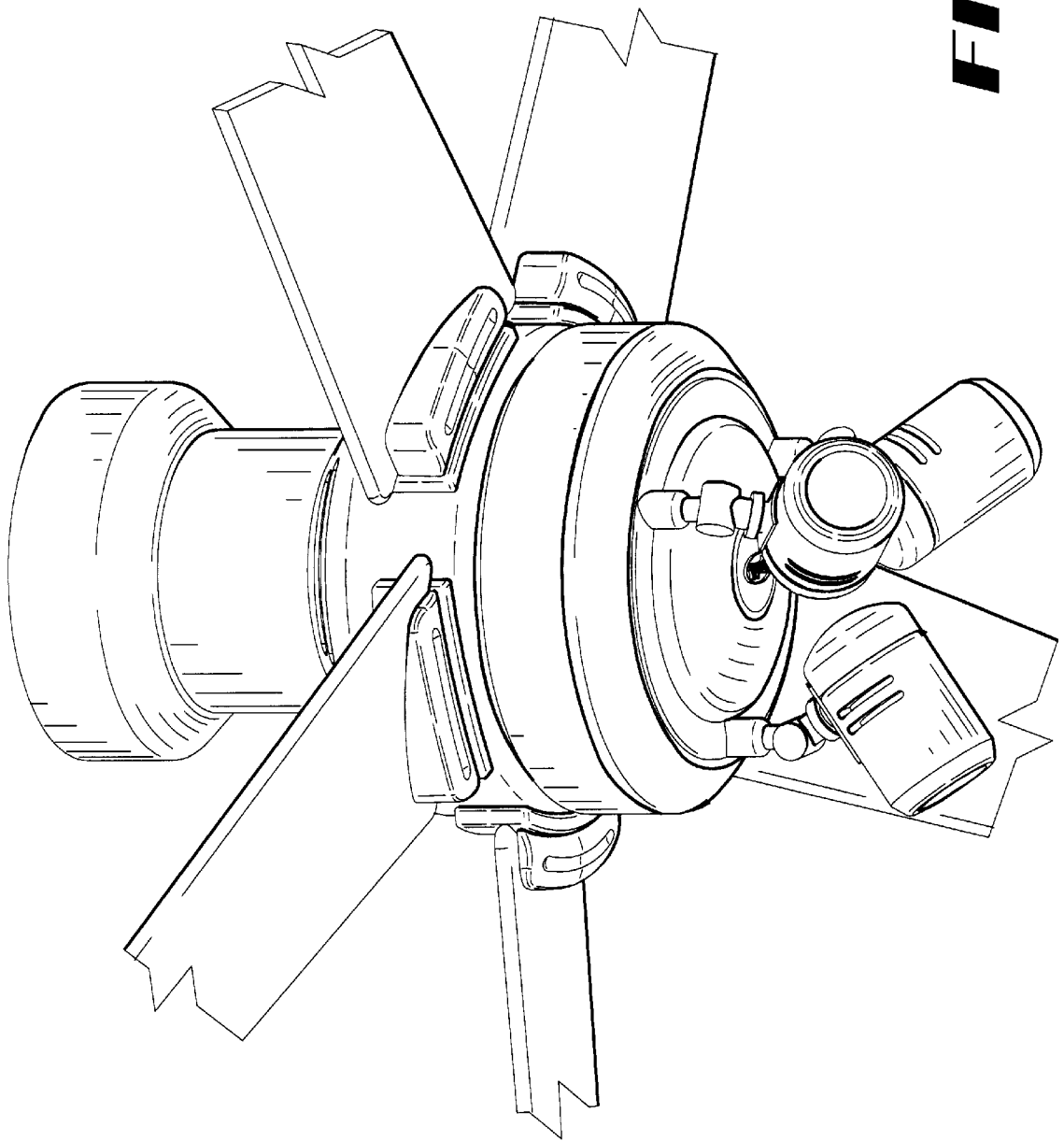


FIG 9