



(12) **United States Design Patent**
Brisebras et al.

(10) **Patent No.:** **US D935,397 S**
(45) **Date of Patent:** **** Nov. 9, 2021**

(54) **WIRELESS CHARGING STAND**

(71) Applicant: **Logitech Europe S.A.**, Lausanne (CH)

(72) Inventors: **Thomas Brisebras**, San Francisco, CA (US); **Olivier Gregoire**, Oakland, CA (US); **Soo Yeon Kwon**, Stanford, CA (US); **Yibo Shao**, San Jose, CA (US)

(73) Assignee: **LOGITECH EUROPE S.A.**, Lausanne (CH)

(**) Term: **15 Years**

(21) Appl. No.: **29/719,466**

(22) Filed: **Jan. 3, 2020**

(51) **LOC (13) Cl.** **13-02**

(52) **U.S. Cl.**
USPC **D13/108; D14/253**

(58) **Field of Classification Search**
USPC D13/101, 103, 107, 108, 118, 119;
D6/682, 682.1; D14/251, 252, 253, 432,
D14/434, 447
CPC H04B 1/3877; H04B 1/3883; H04M 1/06;
G04G 19/02

See application file for complete search history.

(56) **References Cited**

U.S. PATENT DOCUMENTS

D674,336 S *	1/2013	Suzuka	D13/108
D682,200 S *	5/2013	Rautiainen	D13/108
D688,235 S *	8/2013	Song	D14/253
D797,668 S *	9/2017	Park	D13/108
D868,691 S *	12/2019	Sun	D13/108
D884,617 S *	5/2020	Matsuoka	D13/108
D896,174 S *	9/2020	Li	D13/108
D896,816 S *	9/2020	Qiu	D14/434
D907,575 S *	1/2021	Xu	D13/108

(Continued)

OTHER PUBLICATIONS

“Logitech Launches New Powered Dock”. Found online Feb. 10, 2021 at macrumors.com. Reference dated Mar. 11, 2020. Retrieved from https://www.macrumors.com/2020/03/11/logitech-powered-3-in-1-dock/. (Year: 2020).*

(Continued)

Primary Examiner — Kendra Leslie Hamilton

Assistant Examiner — Amanda Christensen

(74) *Attorney, Agent, or Firm* — Patterson & Sheridan, LLP

(57) **CLAIM**

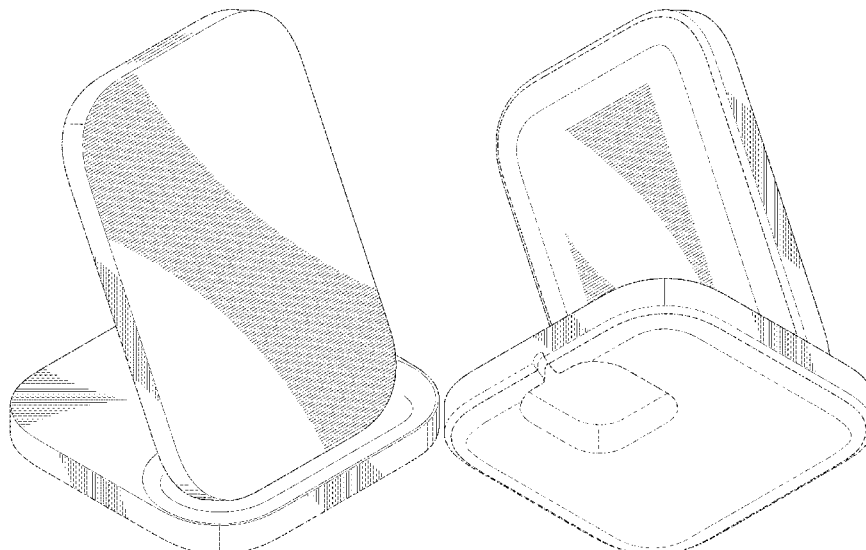
The ornamental design of a wireless charging stand, as shown and described.

DESCRIPTION

FIG. 1 is a top, front, right side perspective view of a wireless charging stand according to our new design; FIG. 2 is a top, rear, left side perspective view thereof; FIG. 3 is a bottom, front, left side perspective view thereof; FIG. 4 is a bottom, rear, right side perspective view thereof; FIG. 5 is a front elevation view thereof; FIG. 6 is a left side elevation view thereof; FIG. 7 is a rear elevation view thereof; FIG. 8 is a right side elevation view thereof; FIG. 9 is a top plan view thereof; FIG. 10 is a bottom plan view thereof; FIG. 11 is a cross-sectional front elevation view of the wireless charging stand of FIG. 1, taken in the direction of line 11-11 of FIG. 9; and, FIG. 12 is a cross-sectional right side elevation view of the wireless charging stand of FIG. 1, taken in the direction of line 12-12 of FIG. 9.

The equal-length broken lines in the drawings depict portions of the wireless charging stand that form no part of the claimed design. The dash-dot-dash lines define the boundaries of the claim.

1 Claim, 12 Drawing Sheets



(56)

References Cited

U.S. PATENT DOCUMENTS

2015/0188356 A1* 7/2015 Chen H02J 7/025
320/108
2017/0153667 A1* 6/2017 Suckle G06F 1/1632
2019/0115781 A1* 4/2019 Feng H02J 7/0044
2020/0052506 A1* 2/2020 Green H02J 7/0027

OTHER PUBLICATIONS

“Samsung Fast Charge Wireless Charger Stand”. Found online Feb. 10, 2021 at amazon.com. Reference dated Aug. 8, 2019. Retrieved from <https://www.amazon.com/Samsung-Charge-Wireless-Charger-Stand/dp/B07VG9JMG1>. (Year: 2019).*

“Google Pixel Stand Fast Wireless Charger”. Found online Feb. 10, 2021 at amazon.com. Reference dated Oct. 18, 2018. Retrieved from <https://www.amazon.com/Google-Wireless-Charger-Pixel-3XL/dp/B07J2KMP4X>. (Year: 2018).*

* cited by examiner

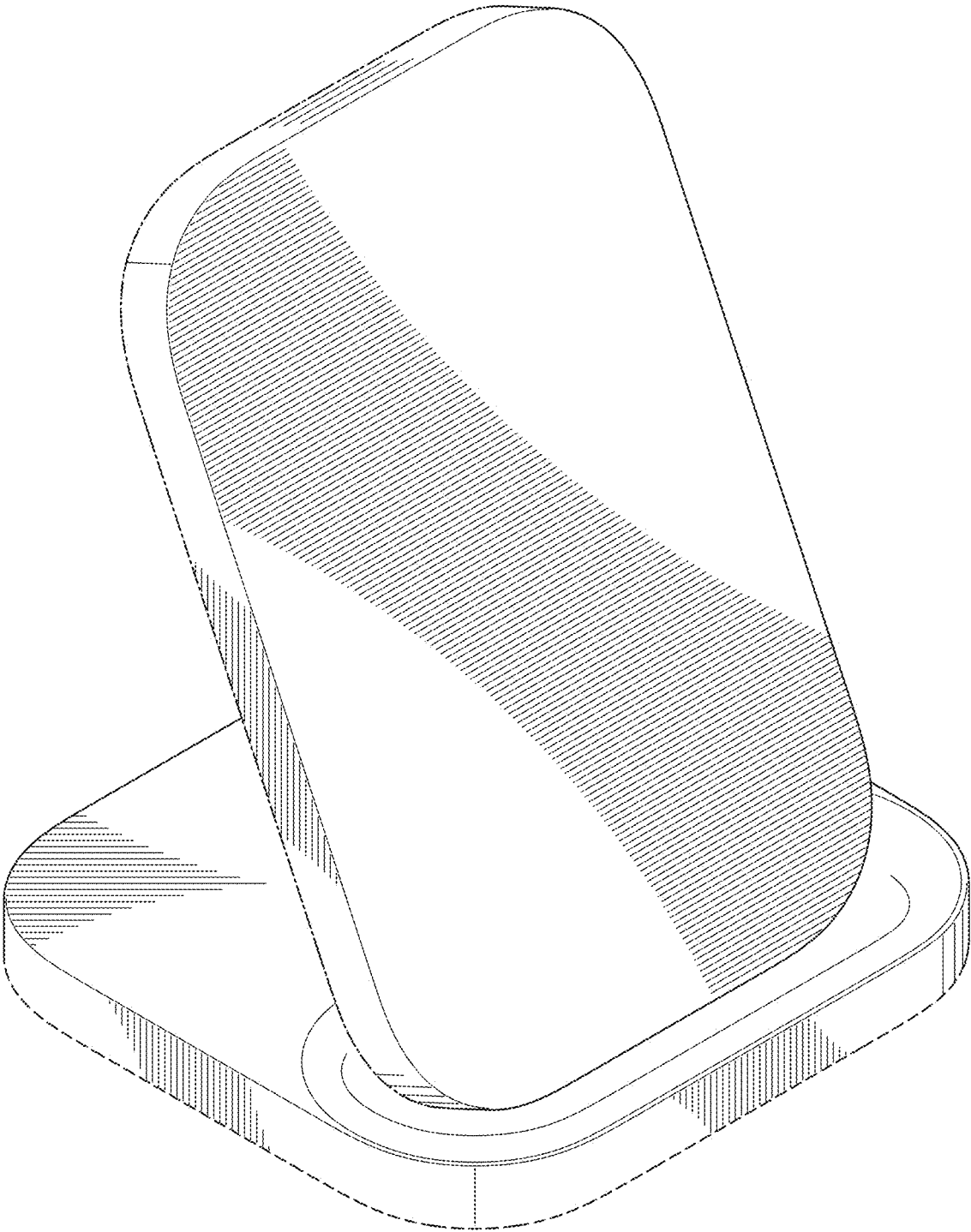


Fig. 1

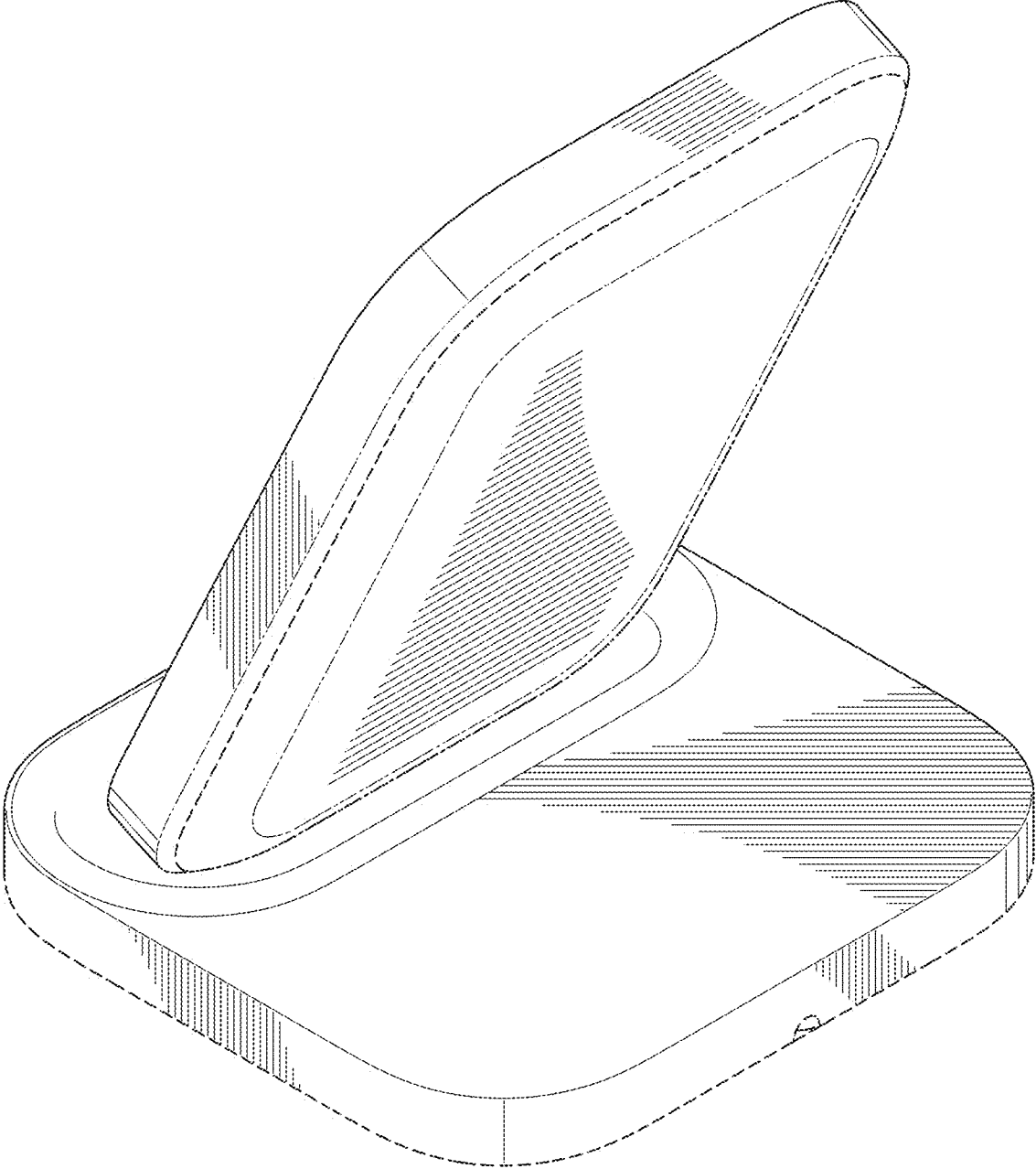


Fig. 2

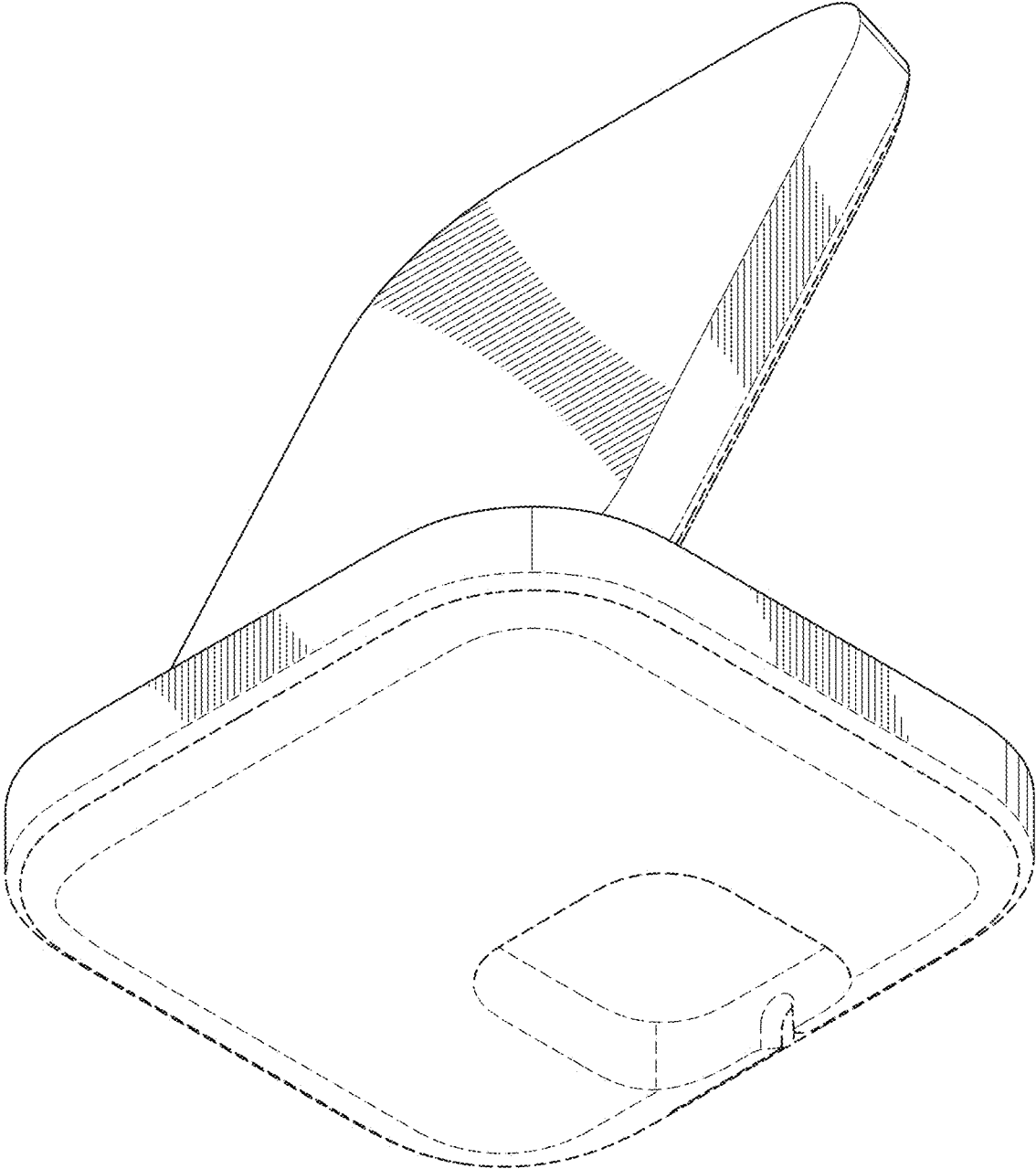


Fig. 3

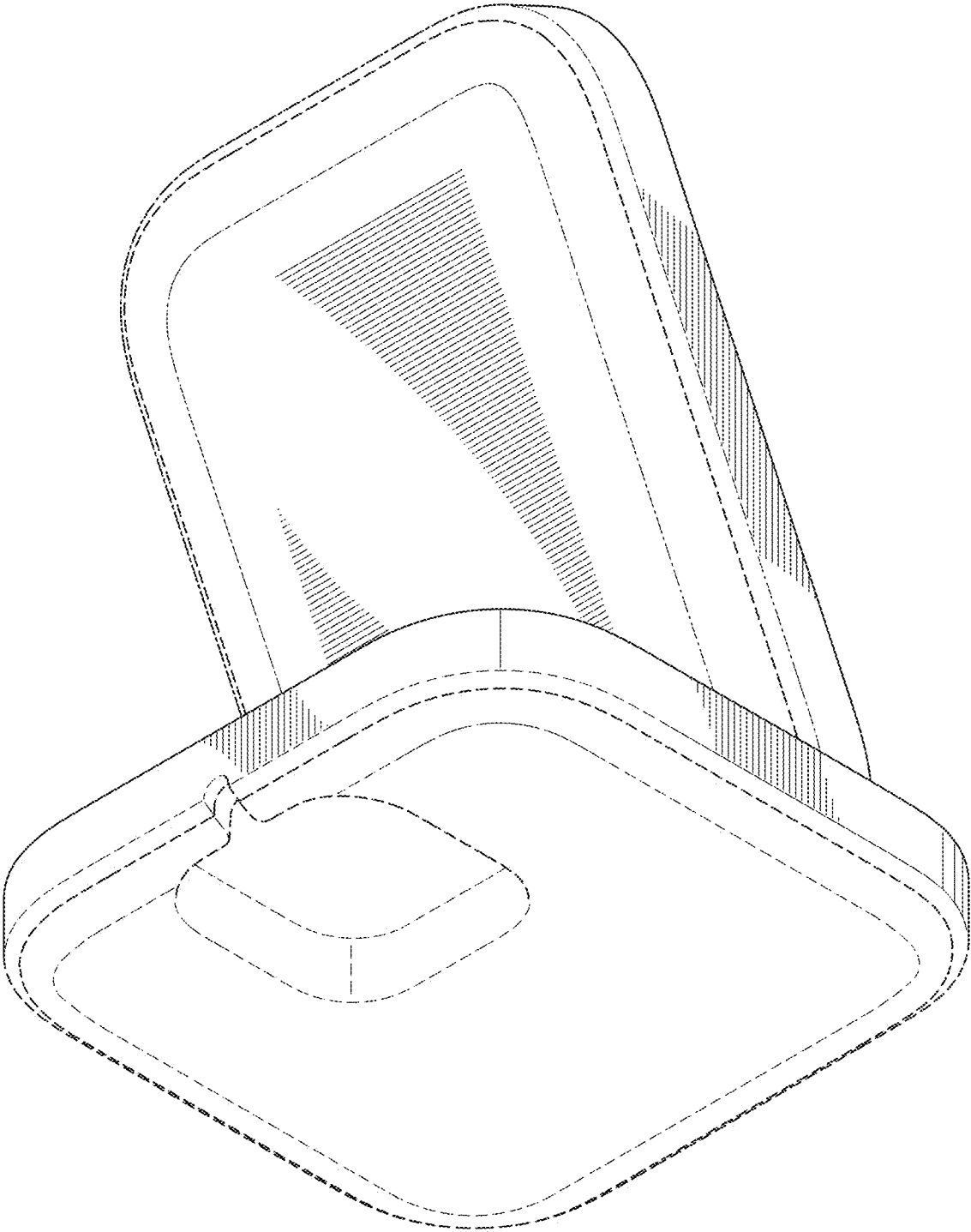


Fig. 4

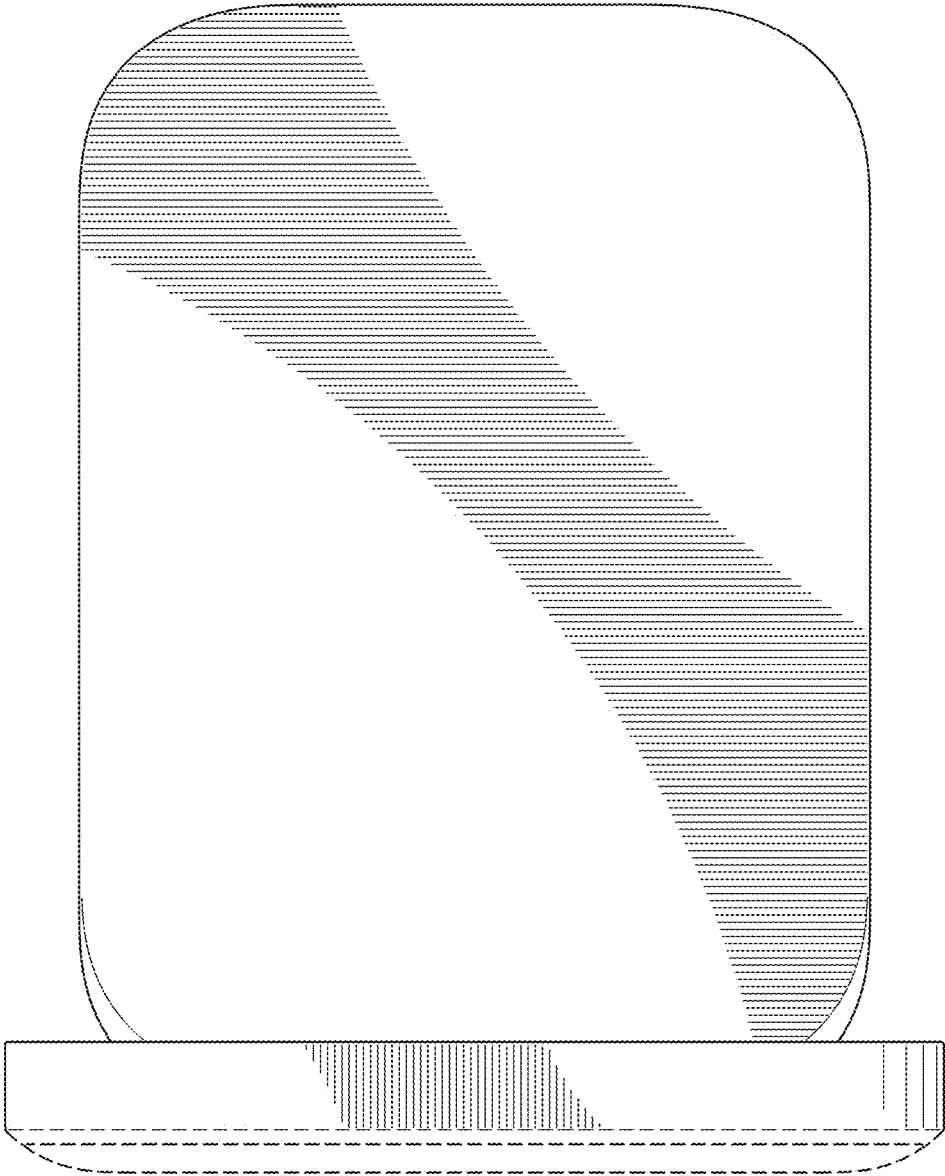


Fig. 5

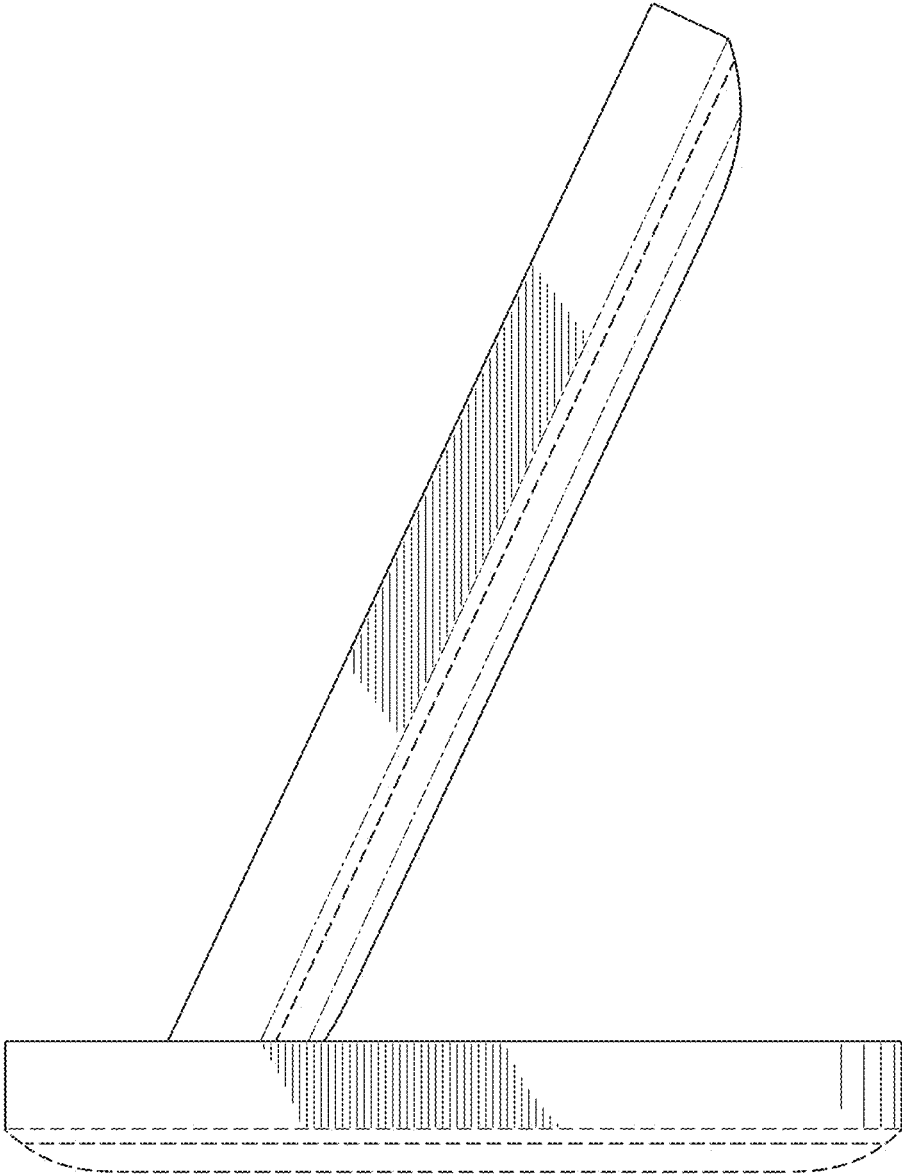


Fig. 6

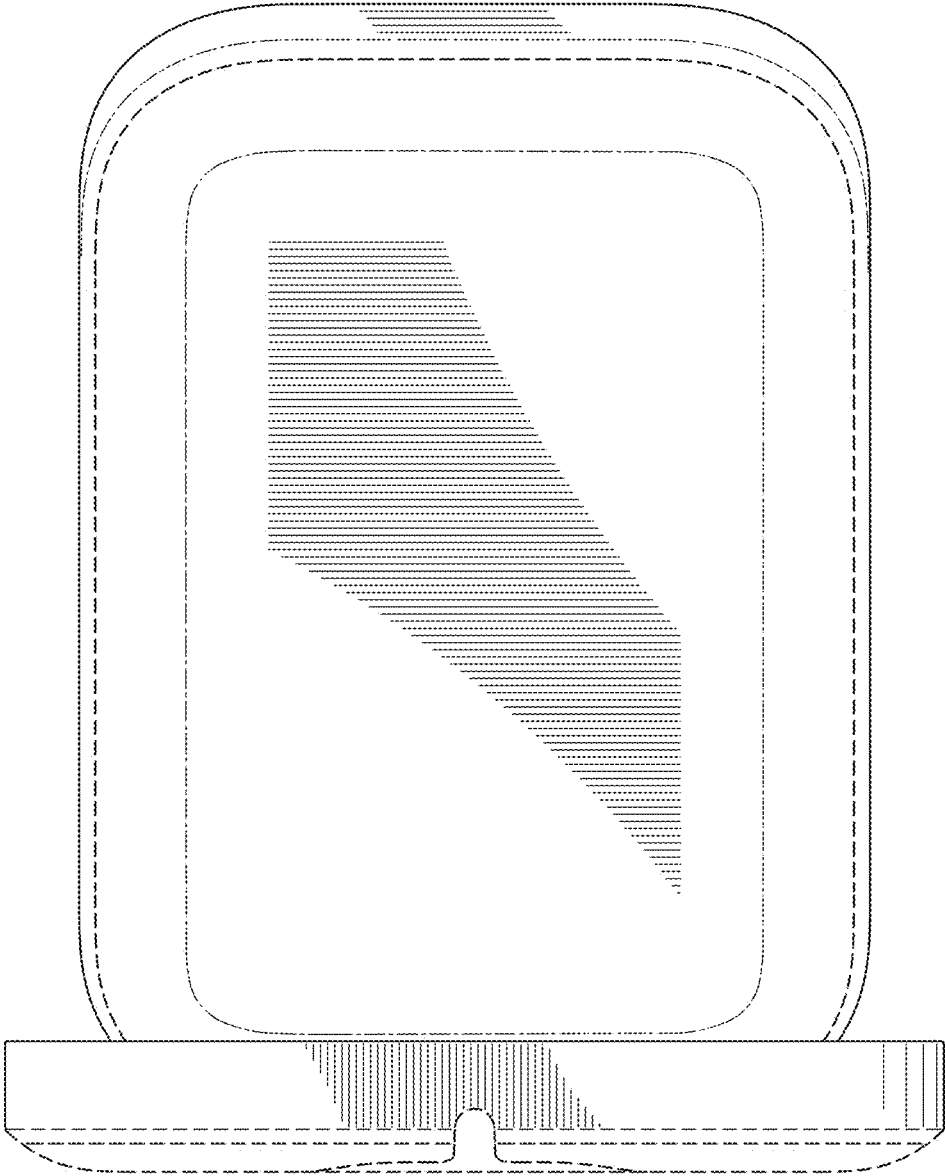


Fig. 7

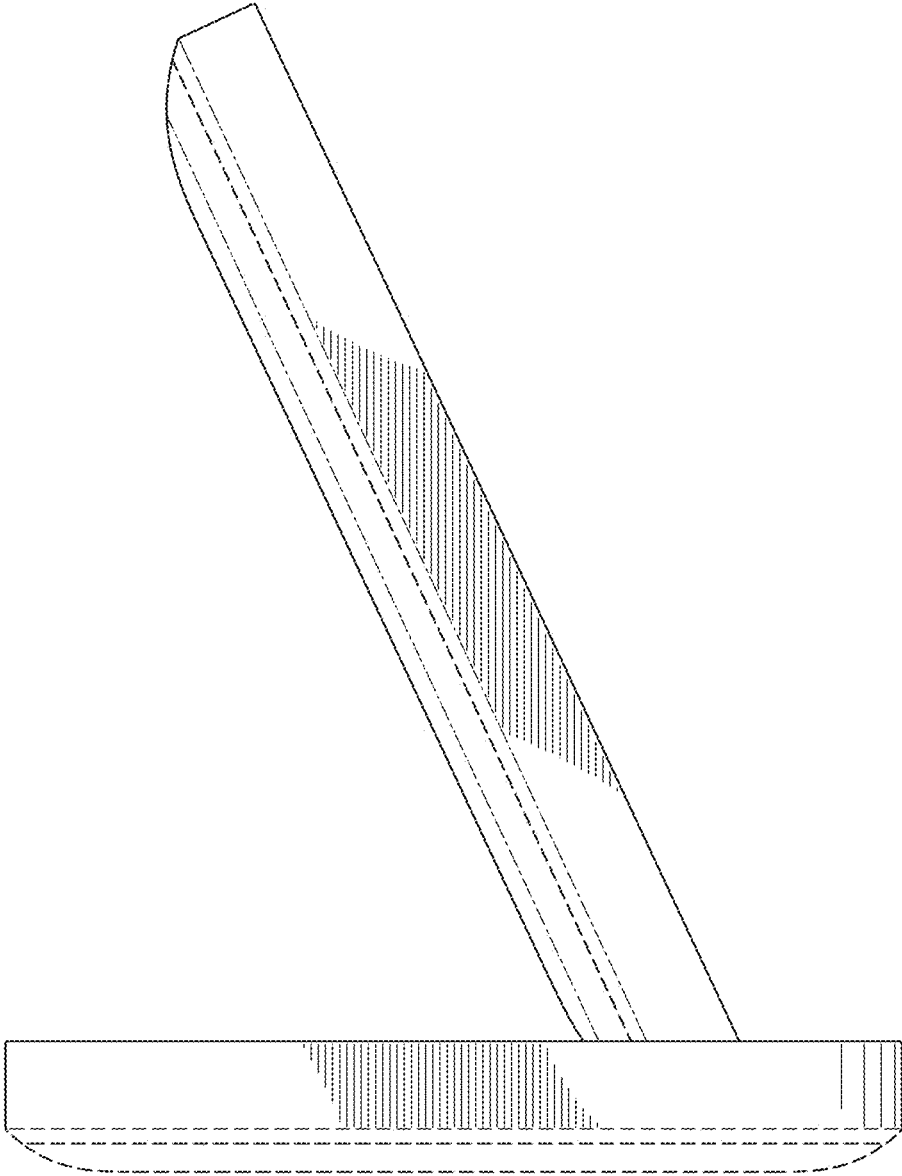


Fig. 8

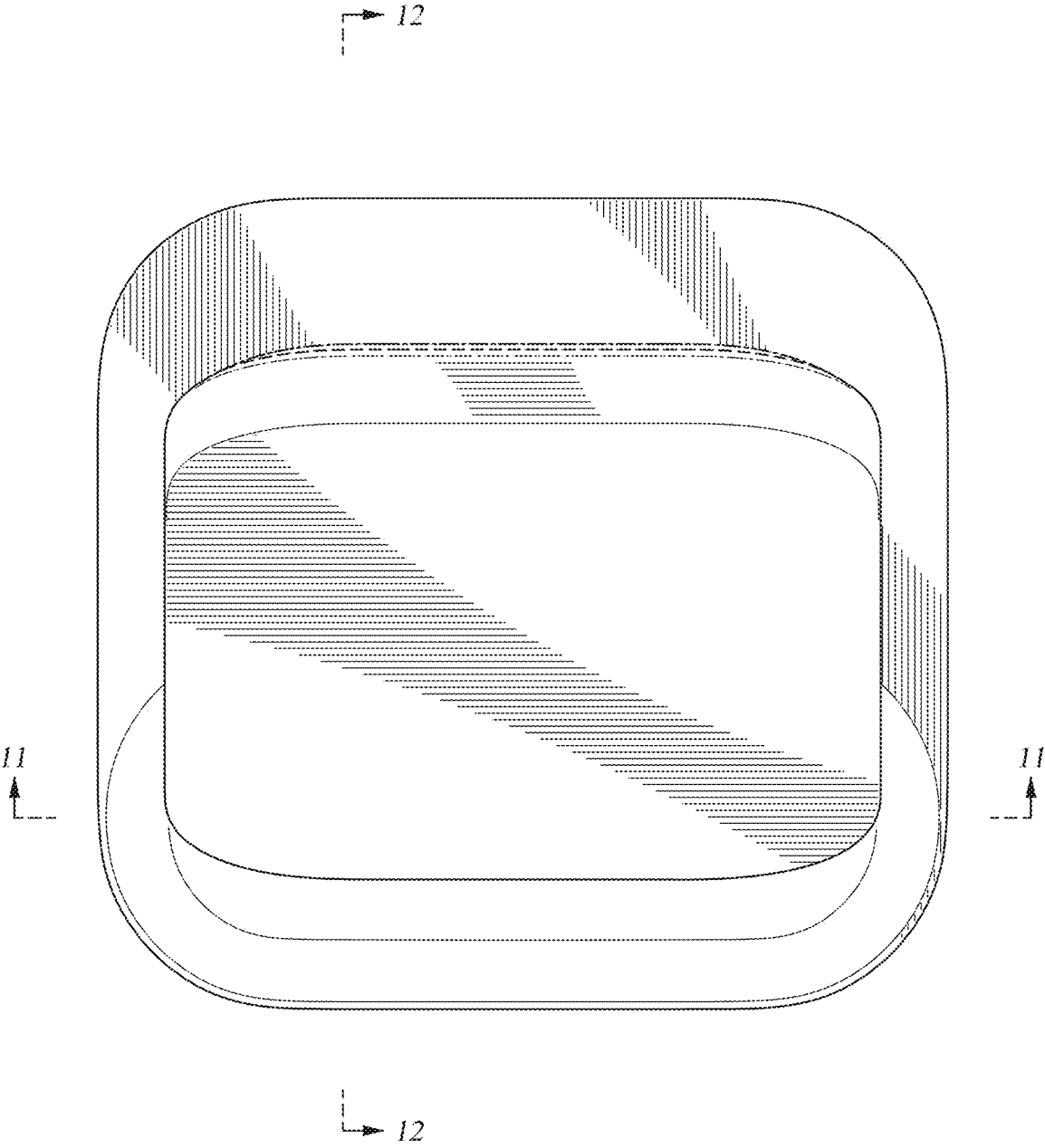


Fig. 9

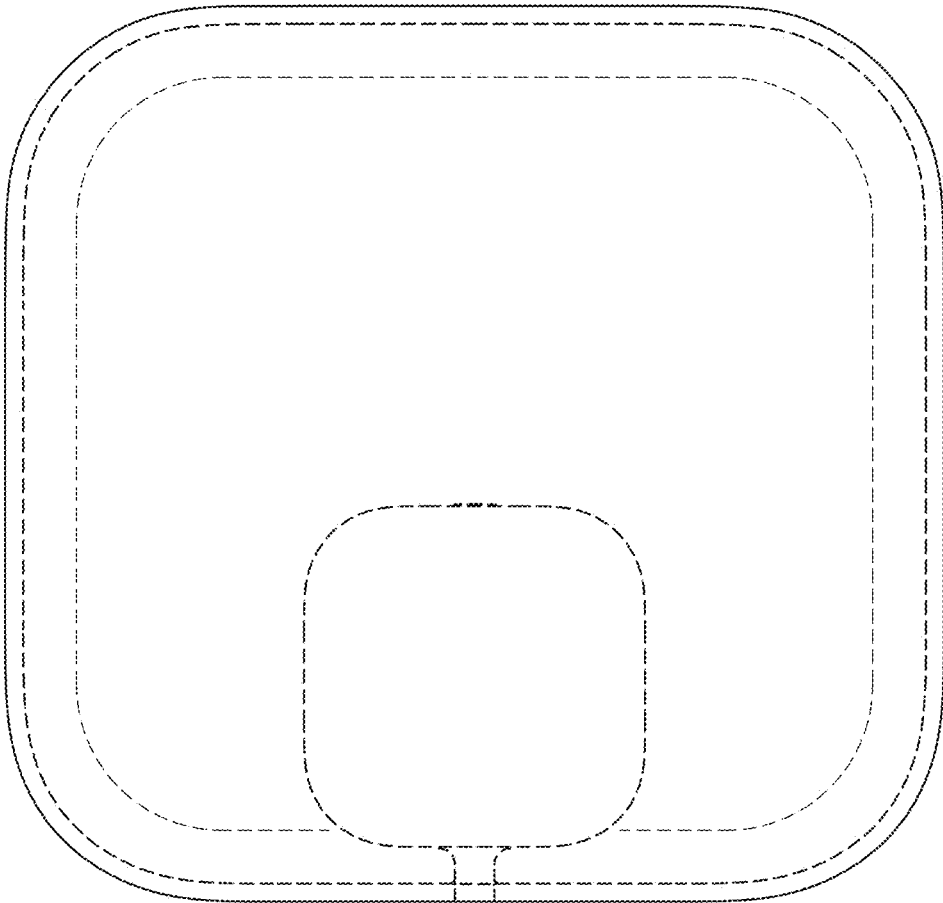


Fig. 10

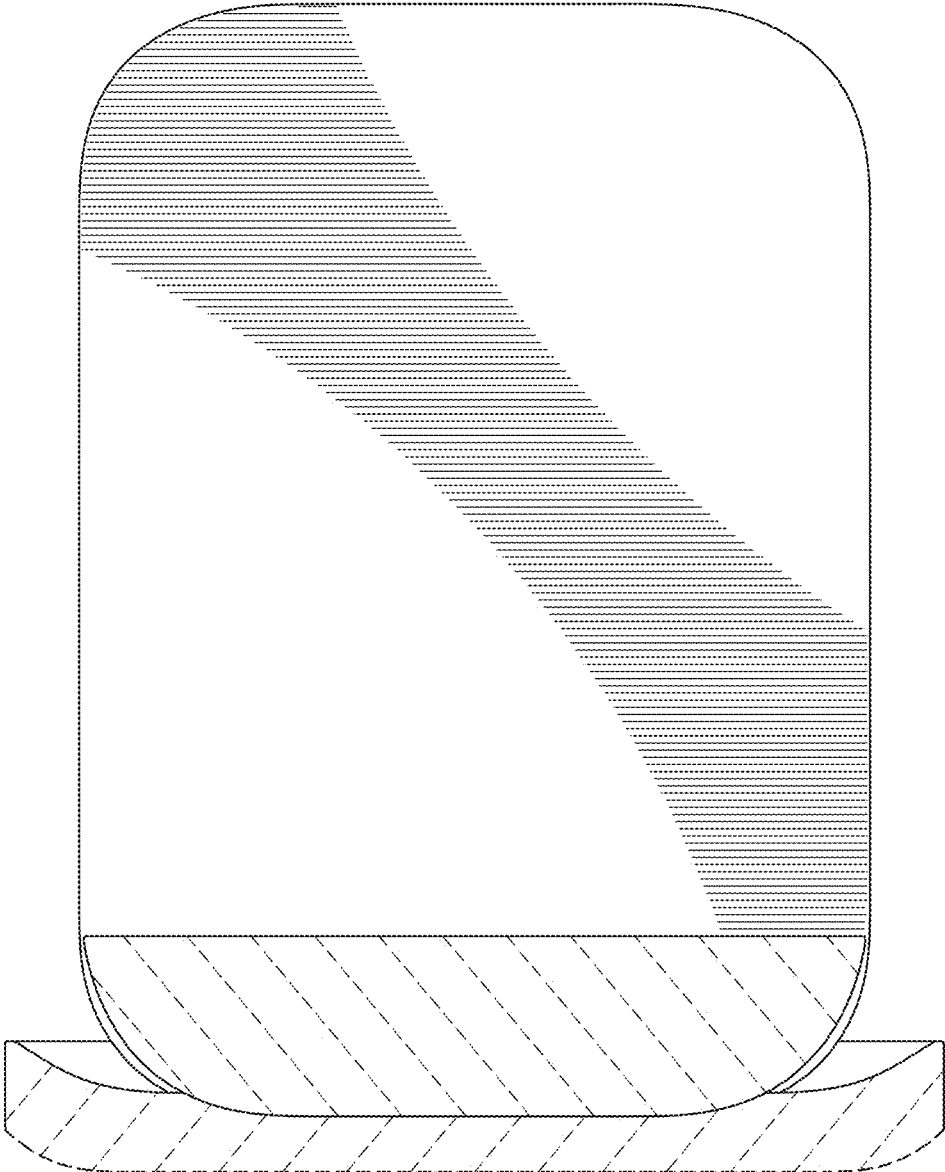


Fig. 11

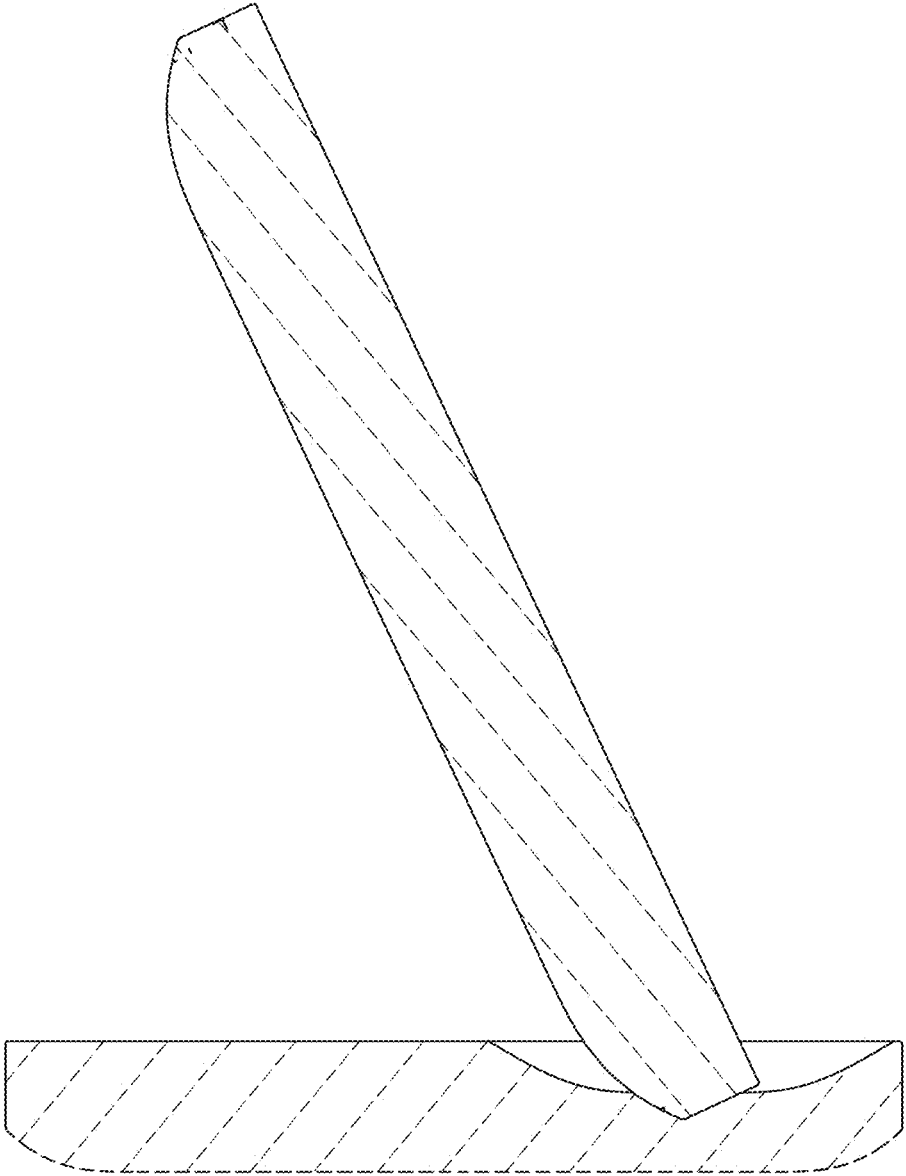


Fig. 12