



US00D696549S

(12) **United States Design Patent**
Pennington

(10) **Patent No.:** **US D696,549 S**

(45) **Date of Patent:** **** Dec. 31, 2013**

(54) **GRILL**

(71) Applicant: **Hamilton Beach Brands, Inc.**, Glen Allen, VA (US)

(72) Inventor: **Paula L Pennington**, Mechanicsville, VA (US)

(73) Assignee: **Hamilton Beach Brands, Inc.**, Glen Allen, VA (US)

(**) Term: **14 Years**

(21) Appl. No.: **29/444,668**

(22) Filed: **Feb. 1, 2013**

(51) **LOC (9) Cl.** **07-02**

(52) **U.S. Cl.**

USPC **D7/363**; D7/367

(58) **Field of Classification Search**

USPC D7/323, 329-332, 337-339, 346-347, D7/350.1-350.4, 353-367, 391-395, D7/402-406, 538, 542-543, 665; D24/206; 99/324-327, 330-343, 369, 99/366, 400-418, 422, 425, 444, 483; 126/37 R, 41 R, 261, 378.1; 219/386-387, 400, 405, 429-442, 219/450.1, 452.11, 521-525, 620-624, 725, 219/730-735; 220/23.88, 314-315, 485, 220/573.1-573.5, 592.16, 912; 426/438, 426/441, 523

See application file for complete search history.

(56) **References Cited**

U.S. PATENT DOCUMENTS

D139,751 S	12/1944	Springwell	
D229,448 S *	11/1973	Traclet	D7/337
D236,183 S *	8/1975	Greger	D7/363
D249,864 S *	10/1978	Mackay et al.	D7/364
D285,523 S *	9/1986	Ayukawa et al.	D7/367
D289,847 S *	5/1987	Okamoto et al.	D7/363
D296,509 S	7/1988	Fuke	
D297,701 S *	9/1988	Nakagawa et al.	D7/363
D335,240 S *	5/1993	Critchfield et al.	D7/364
D366,390 S	1/1996	Vitantonio	
D442,426 S	5/2001	Garber et al.	
D501,117 S *	1/2005	Bassill	D7/367
D533,016 S	12/2006	Genslak et al.	
D575,098 S *	8/2008	Seymour	D7/363
D602,597 S *	10/2009	Nomi et al.	D24/206
D643,674 S *	8/2011	Lee et al.	D7/363
D644,867 S *	9/2011	Janvier	D7/363
2006/0163242 A1 *	7/2006	Ciancimino et al.	219/450.1

* cited by examiner

Primary Examiner — Ricky Pham

(74) *Attorney, Agent, or Firm* — Alexander D. Raring

(57)

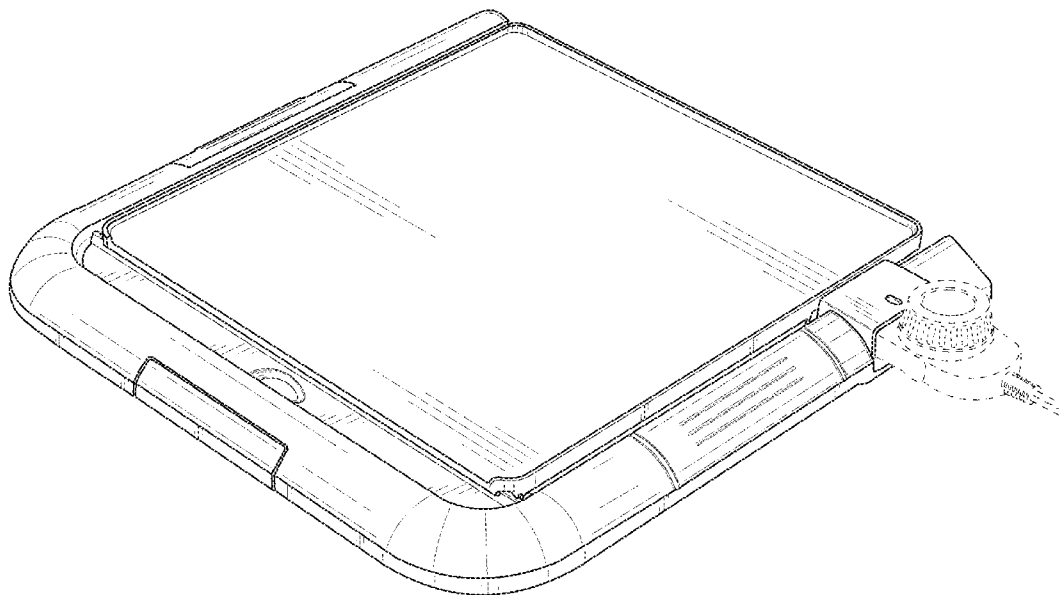
CLAIM

The ornamental design for a grill, as shown and described.

DESCRIPTION

FIG. 1 is a perspective view as seen from the top, front and right side of a grill showing the new design; FIG. 2 is a front view thereof; FIG. 3 is a right side view thereof; FIG. 4 is a rear view thereof; FIG. 5 is a top view thereof; FIG. 6 is a left side thereof; and, FIG. 7 is a bottom view thereof. The broken lines in the drawings are included for illustrative purposes only and form no part of the claimed design.

1 Claim, 7 Drawing Sheets



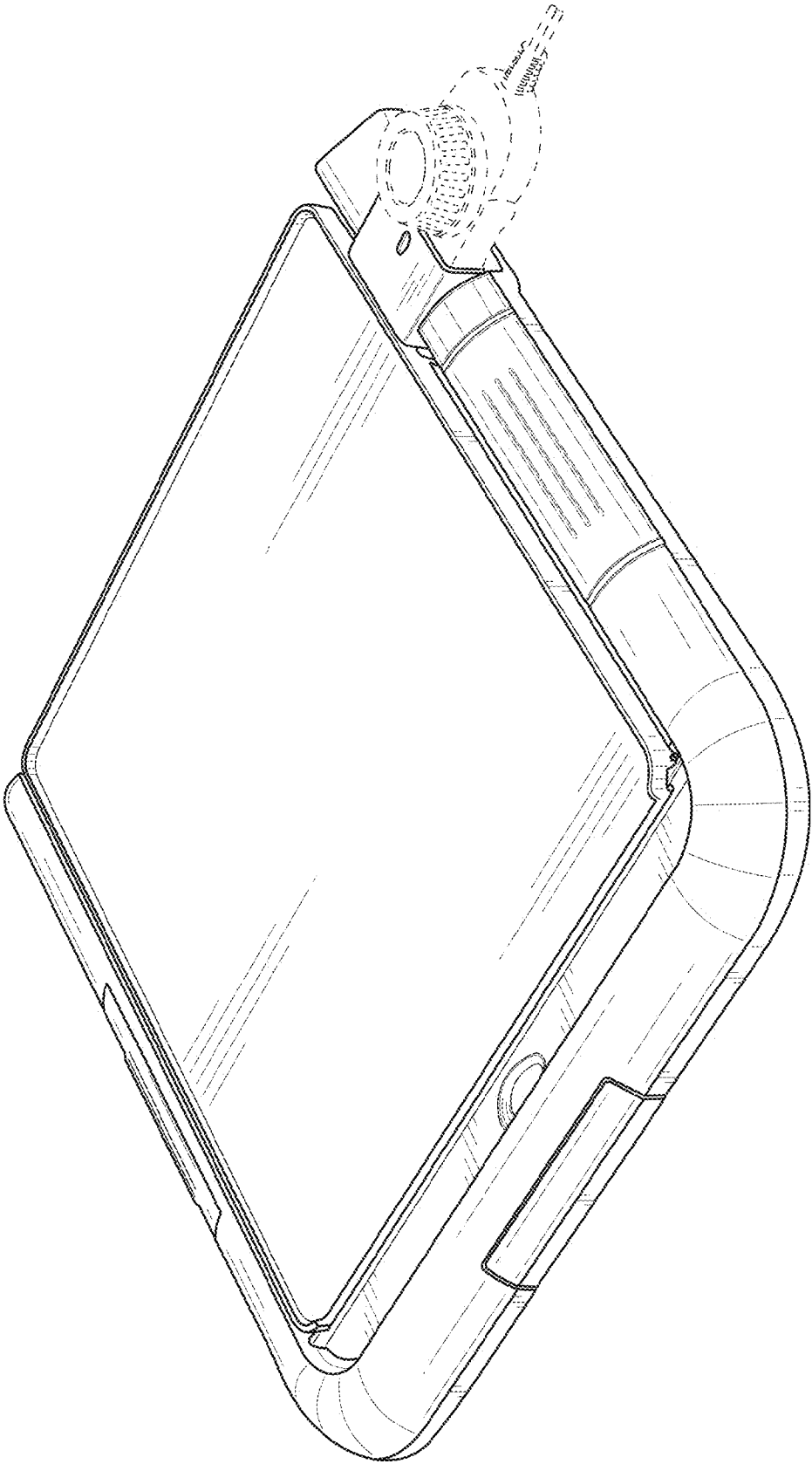


FIG. 1

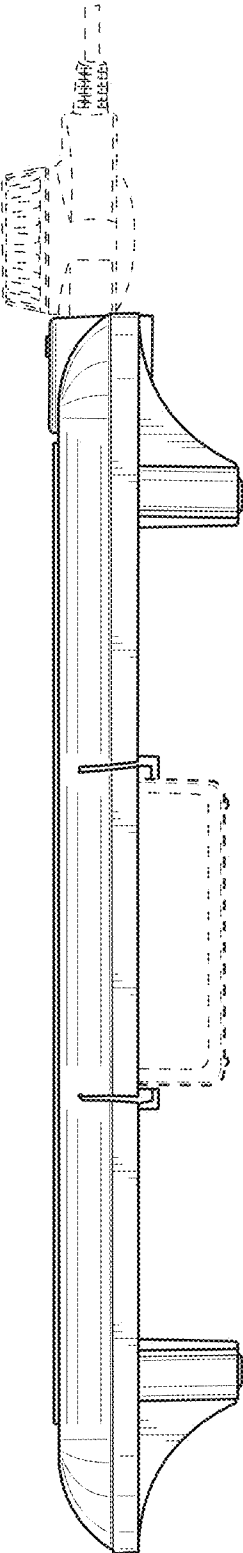


FIG. 2

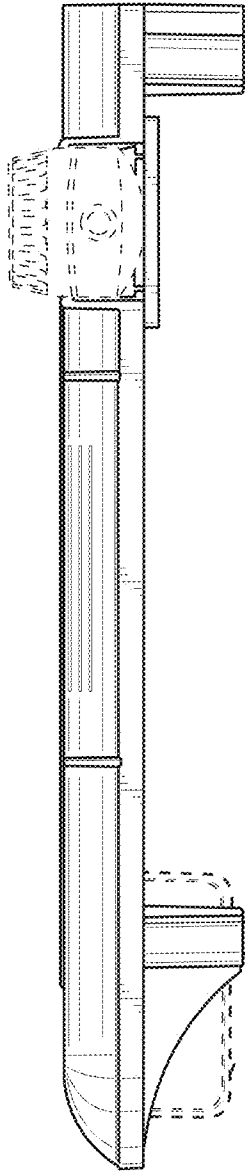


FIG. 3

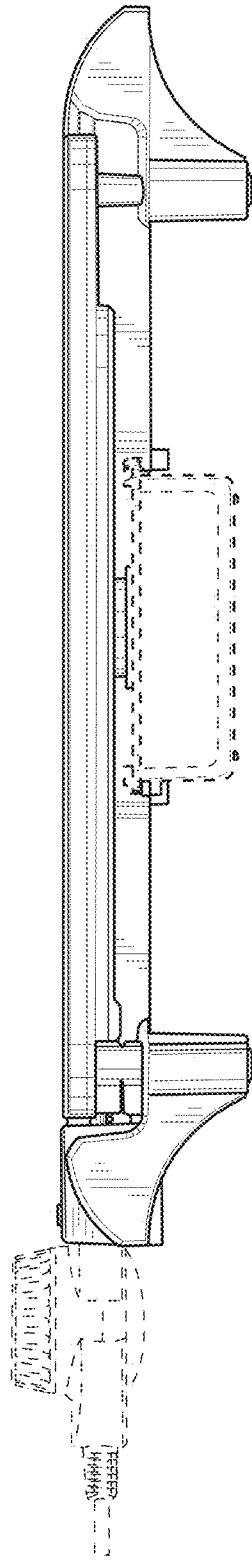


FIG. 4

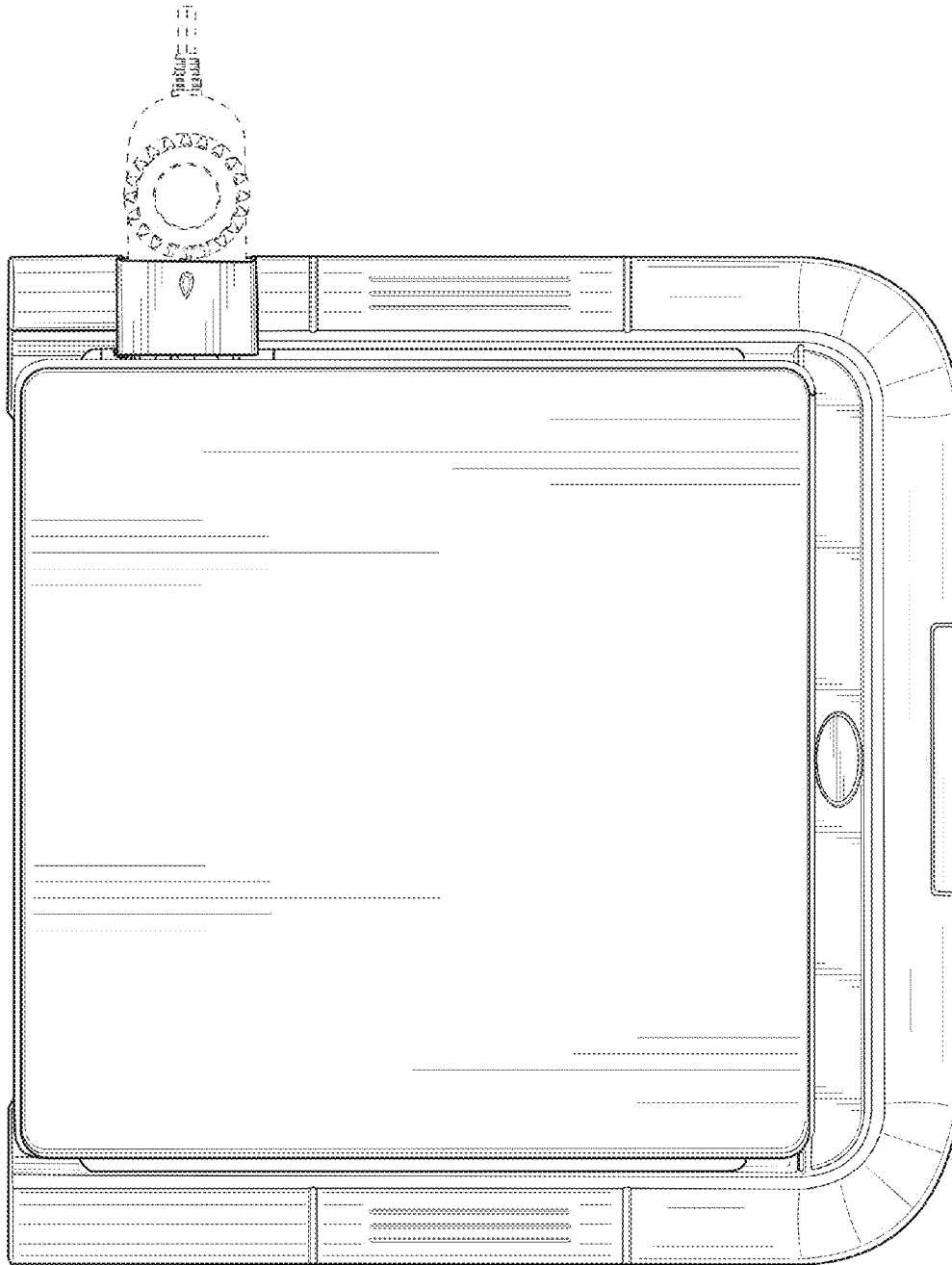


FIG. 5

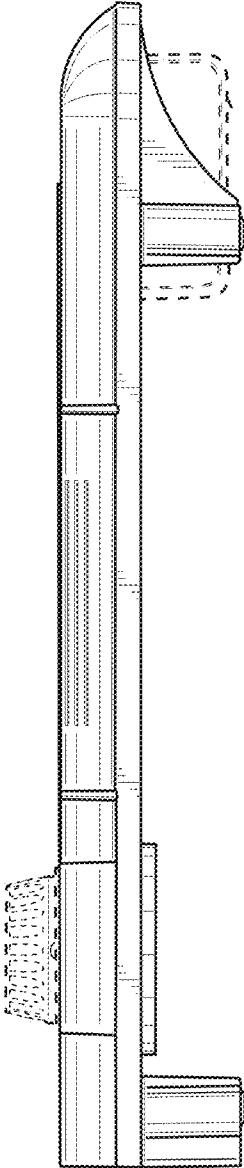


FIG. 6

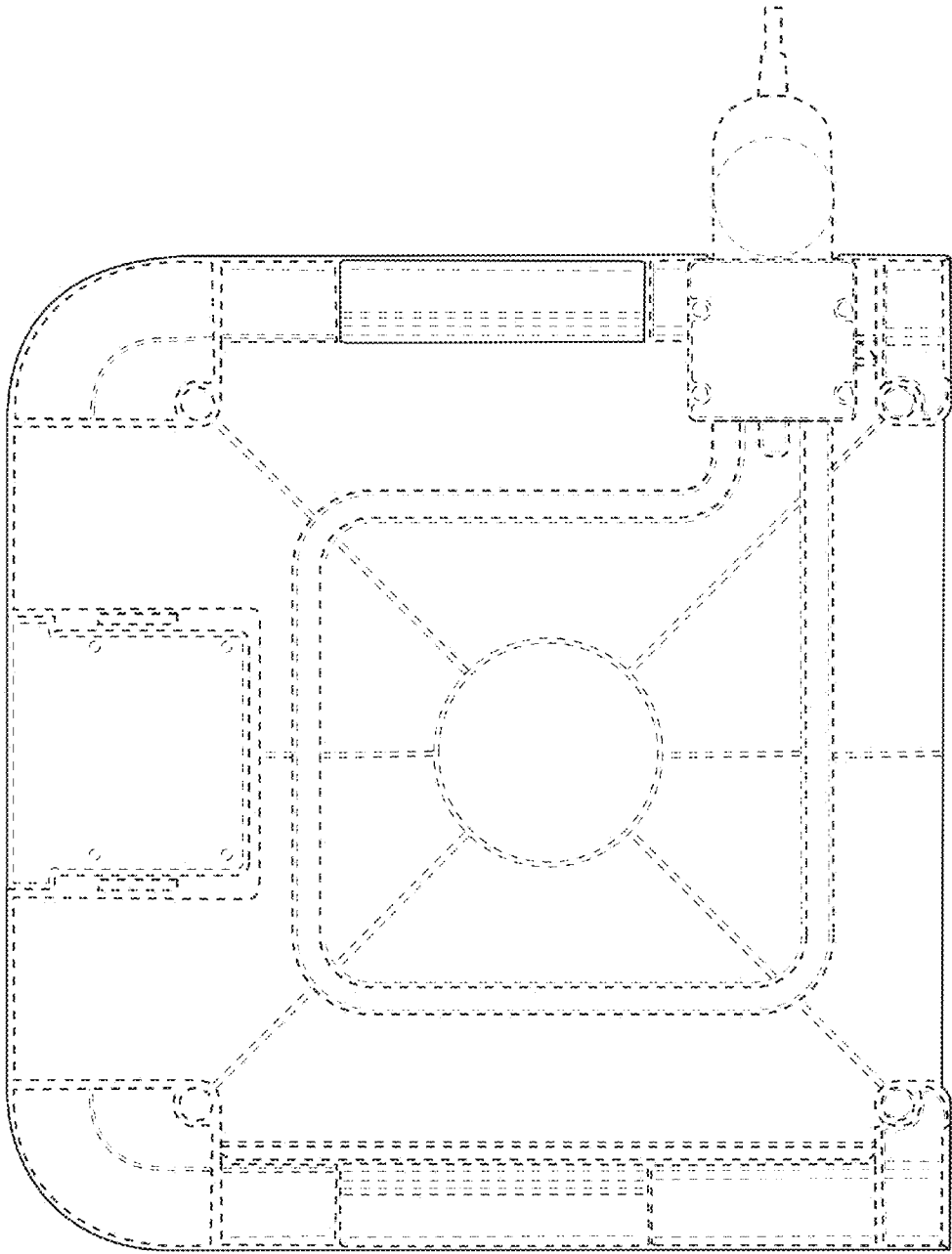


FIG. 7