



(12) **United States Design Patent**
Ettinger

(10) **Patent No.:** **US D1,025,400 S**
(45) **Date of Patent:** **** Apr. 30, 2024**

- (54) **FRAME EXTRUSION**
- (71) Applicant: **Forerunner LLC**, Las Vegas, NV (US)
- (72) Inventor: **Benjamin Ettinger**, Evergreen, CO (US)
- (73) Assignee: **FORERUNNER LLC**, Las Vegas, NV (US)
- (**) Term: **15 Years**
- (21) Appl. No.: **29/855,082**
- (22) Filed: **Sep. 29, 2022**
- (51) **LOC (14) Cl.** **25-02**
- (52) **U.S. Cl.**
USPC **D25/61; D25/124**
- (58) **Field of Classification Search**
USPC D25/35, 38.1, 43, 44, 48.2, 48.3, 48.4,
D25/55, 58, 60, 61, 102, 119-126, 164,
D25/199; D20/41
CPC E04C 2/00; E04C 2/08; E04C 2/32; E04C
2/328; E04C 2002/3488; E04C 3/00
See application file for complete search history.

D598,574 S *	8/2009	Bergmann	D25/122
D612,519 S	3/2010	Brabeck et al.		
D629,922 S	12/2010	Brabeck et al.		
D629,923 S	12/2010	Brabeck et al.		
D630,345 S	1/2011	Brabeck et al.		
D649,263 S	11/2011	Brabeck et al.		
D649,264 S	11/2011	Brabeck et al.		
8,191,606 B2	6/2012	Edlin		
8,347,939 B2	1/2013	Brabeck et al.		
D754,366 S *	4/2016	Morton	D25/124
D765,008 S *	8/2016	Conrad	D25/38.1
D835,301 S *	12/2018	Lee	D25/124
10,844,650 B2	11/2020	Edlin et al.		
D907,749 S *	1/2021	Wang	D25/48.2
10,947,757 B2	3/2021	Taylor et al.		
11,148,452 B2	10/2021	Kurahashi et al.		
2007/0145340 A1	6/2007	Brabeck et al.		

* cited by examiner

Primary Examiner — Llorellys Martinez-Rivera
(74) *Attorney, Agent, or Firm* — Andrew F. Young;
NOLTE LACKENBACH SIEGEL

(57) **CLAIM**
The ornamental design for a frame extrusion, as shown and described.

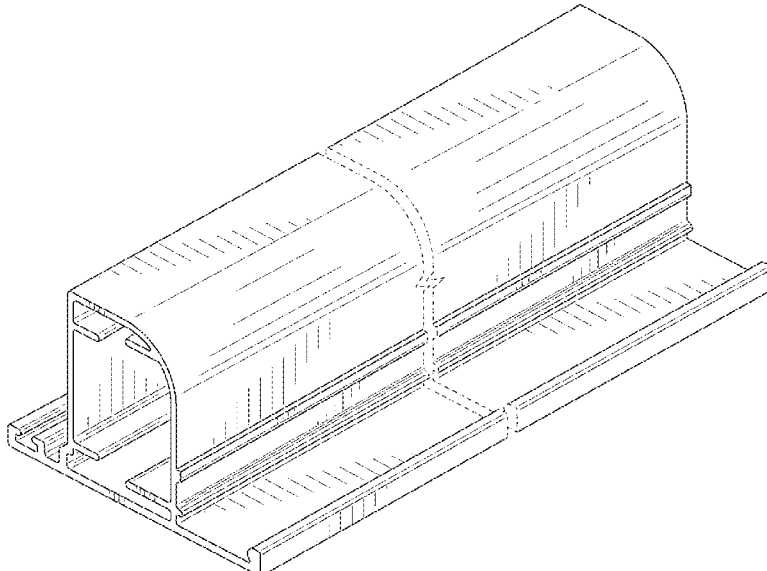
DESCRIPTION

FIG. 1 is a front top perspective view of a frame extrusion showing my new design.
FIG. 2 is a front bottom perspective view thereof.
FIG. 3 is a right side elevation view thereof.
FIG. 4 is a left side elevation view thereof.
FIG. 5 is a front elevation view thereof.
FIG. 6 is a rear elevation view thereof.
FIG. 7 is a top plan view thereof; and,
FIG. 8 is a bottom plan view thereof.
The extrusion is shown with a symbolic break in its length. The appearance of any portion of the extrusion between the break lines forms no part of the claimed design.

1 Claim, 7 Drawing Sheets

(56) **References Cited**
U.S. PATENT DOCUMENTS

3,312,490 A	4/1967	MacDonald		
D263,748 S *	4/1982	Miller	D25/124
D268,809 S *	5/1983	Marontate	D25/121
D295,081 S *	4/1988	Meshulam	D25/122
D312,315 S *	11/1990	Westphal	D25/122
D497,010 S	10/2004	Brabeck et al.		
D497,434 S	10/2004	Brabeck et al.		
D497,678 S	10/2004	Brabeck et al.		
D498,003 S	11/2004	Brabeck et al.		
6,859,977 B2	3/2005	Morgan et al.		
D541,953 S *	5/2007	Deleu	D25/122
D560,002 S *	1/2008	Bergmann	D25/124
D583,071 S *	12/2008	Hull	D25/124



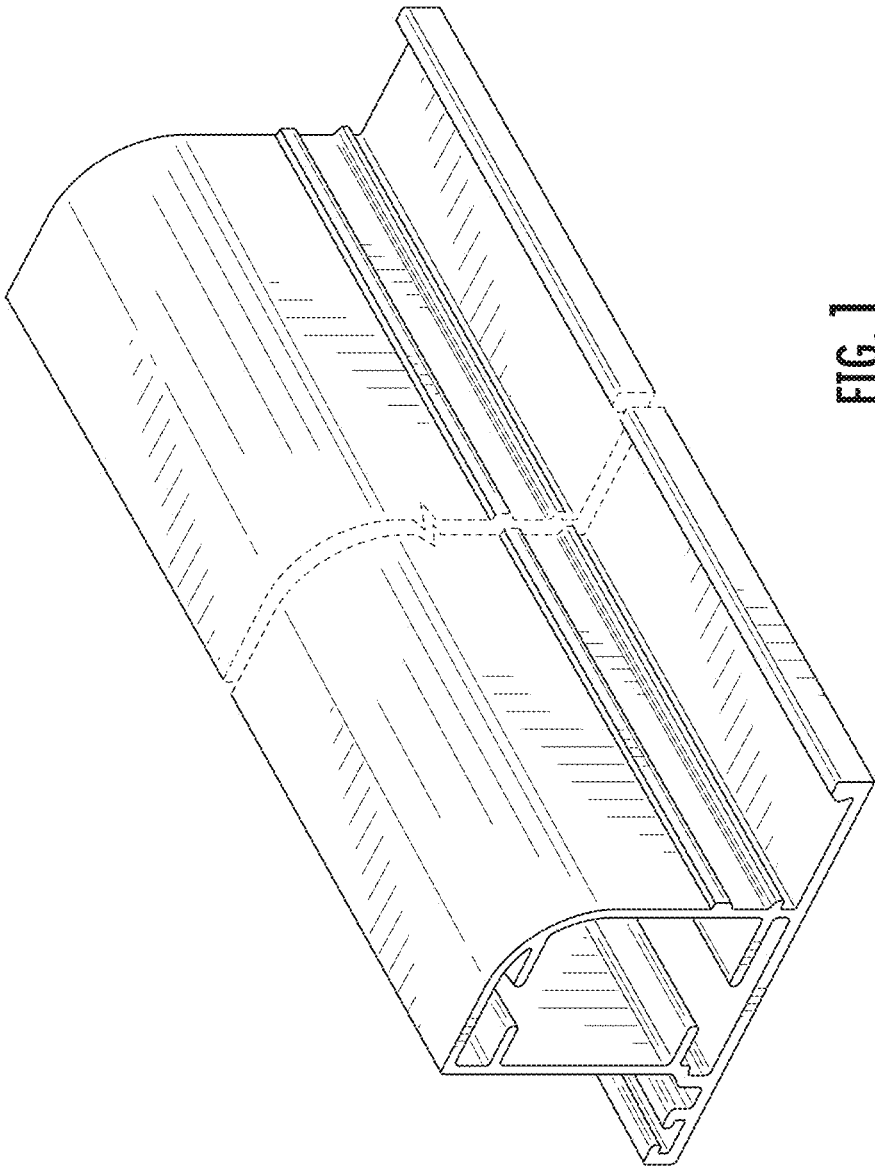


FIG. 1

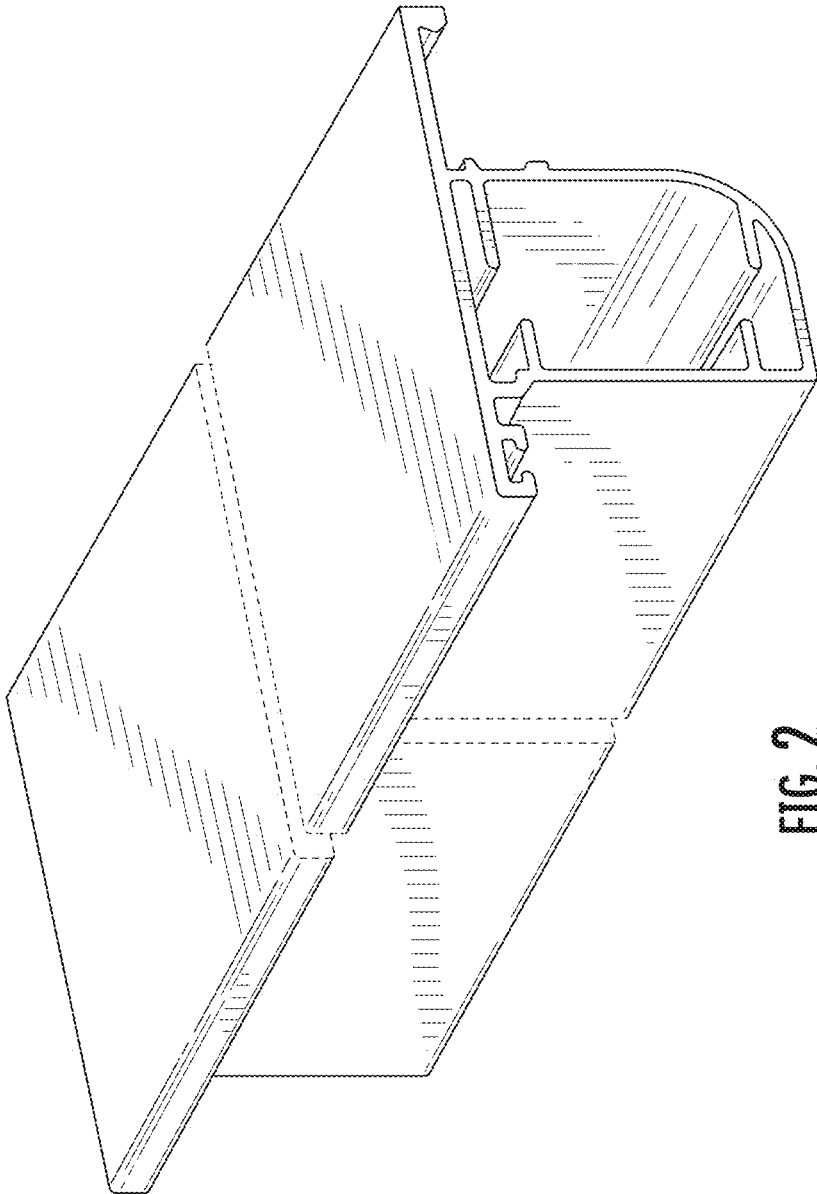


FIG. 2

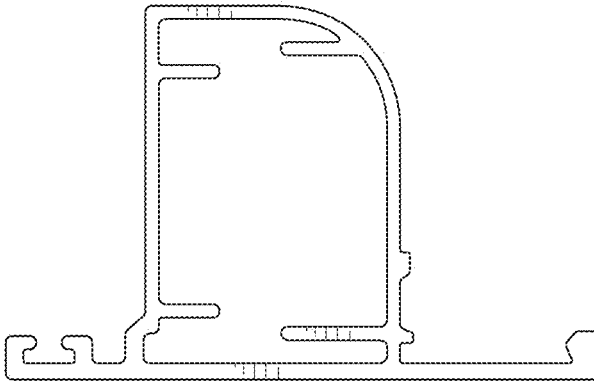


FIG. 3

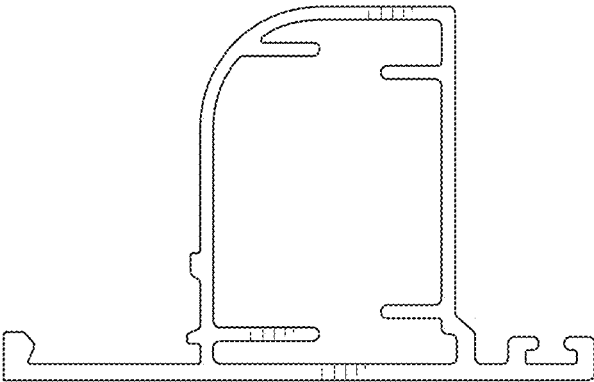


FIG. 4

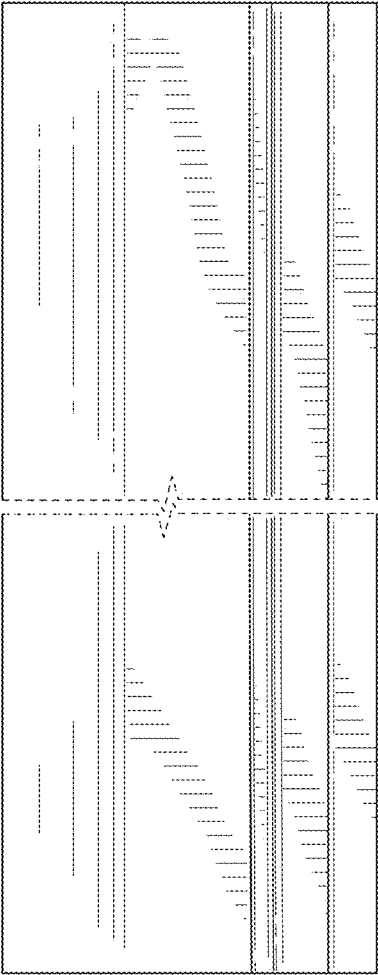


FIG. 5

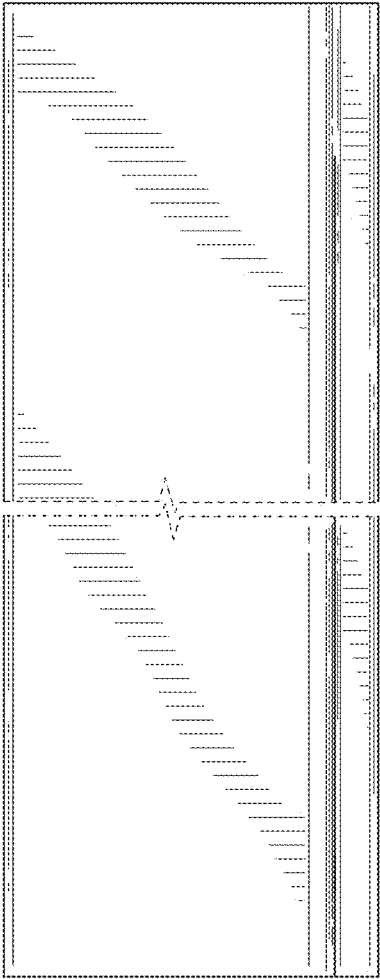


FIG. 6

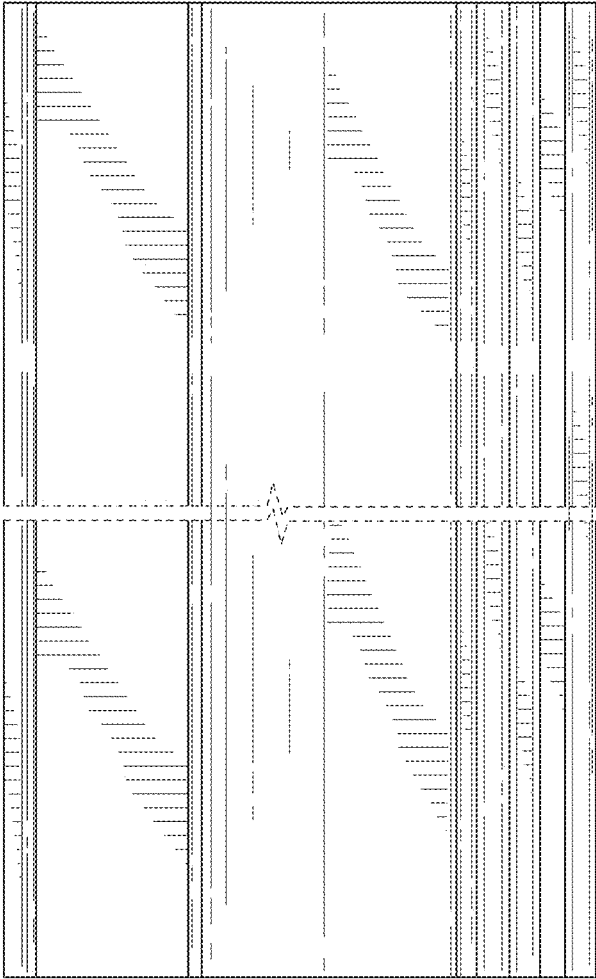


FIG. 7

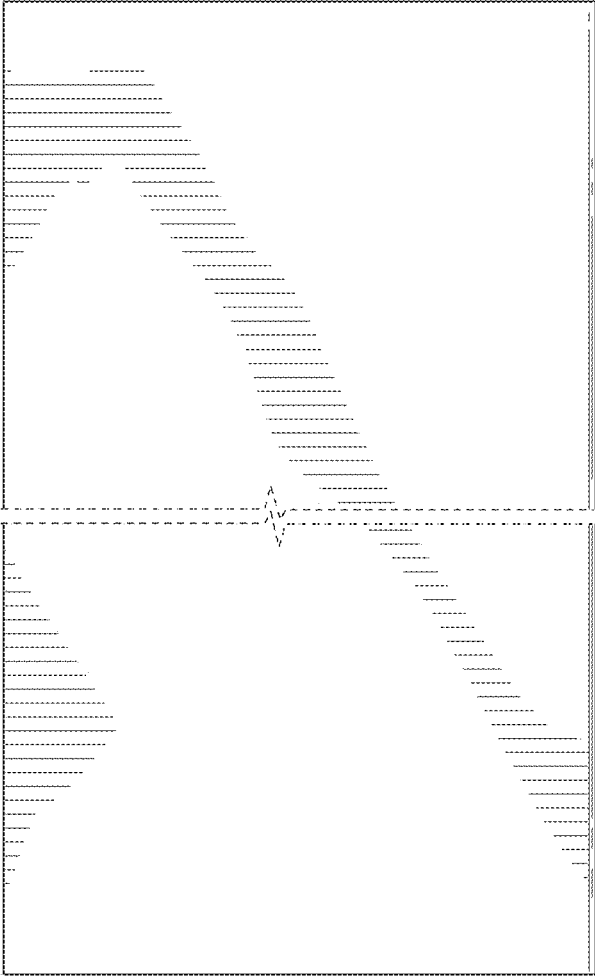


FIG. 8