

(12) INTERNATIONAL APPLICATION PUBLISHED UNDER THE PATENT COOPERATION TREATY (PCT)

(19) World Intellectual Property

Organization

International Bureau

(43) International Publication Date

01 October 2020 (01.10.2020)



(10) International Publication Number

WO 2020/198758 A2

(51) International Patent Classification:

B42D 25/36 (2014.01)

(21) International Application Number:

PCT/US2020/034306

(22) International Filing Date:

22 May 2020 (22.05.2020)

(25) Filing Language:

English

(26) Publication Language:

English

(30) Priority Data:

16/361,372 22 March 2019 (22.03.2019) US

16/881,493 22 May 2020 (22.05.2020) US

(71) Applicant: HAZEN PAPER COMPANY [US/US]; 240 South Water Street, Holyoke, MA 01040 (US).

(72) Inventors: HAZEN, John; 25 Cedar Ridge, South Hadley, MA (US). HOAGUE, Larry; 76 Oak Lane, Feeding Hills, MA 01030 (US).

(74) Agent: CARTONA, Michael, D.; Grogan, Tuccillo & Vanderleeden, LLP, 1350 Main Street, 5th Floor, Suite 508, Springfield, MA 01103 (US).

(81) Designated States (unless otherwise indicated, for every kind of national protection available): AE, AG, AL, AM, AO, AT, AU, AZ, BA, BB, BG, BH, BN, BR, BW, BY, BZ, CA, CH, CL, CN, CO, CR, CU, CZ, DE, DJ, DK, DM, DO, DZ, EC, EE, EG, ES, FI, GB, GD, GE, GH, GM, GT, HN, HR, HU, ID, IL, IN, IR, IS, JO, JP, KE, KG, KH, KN, KP, KR, KW, KZ, LA, LC, LK, LR, LS, LU, LY, MA, MD, ME, MG, MK, MN, MW, MX, MY, MZ, NA, NG, NI, NO, NZ, OM, PA, PE, PG, PH, PL, PT, QA, RO, RS, RU, RW, SA, SC, SD, SE, SG, SK, SL, ST, SV, SY, TH, TJ, TM, TN, TR, TT, TZ, UA, UG, US, UZ, VC, VN, WS, ZA, ZM, ZW.

(84) Designated States (unless otherwise indicated, for every kind of regional protection available): ARIPO (BW, GH, GM, KE, LR, LS, MW, MZ, NA, RW, SD, SL, ST, SZ, TZ, UG, ZM, ZW), Eurasian (AM, AZ, BY, KG, KZ, RU, TJ, TM), European (AL, AT, BE, BG, CH, CY, CZ, DE, DK, EE, ES, FI, FR, GB, GR, HR, HU, IE, IS, IT, LT, LU, LV, MC, MK, MT, NL, NO, PL, PT, RO, RS, SE, SI, SK, SM, TR), OAPI (BF, BJ, CF, CG, CI, CM, GA, GN, GQ, GW, KM, ML, MR, NE, SN, TD, TG).

Published:

- without international search report and to be republished upon receipt of that report (Rule 48.2(g))
- with information concerning request for restoration of the right of priority in respect of one or more priority claims (Rules 26bis.3 and 48.2(b)(vii))

(54) Title: METHOD OF PROTECTING SECURITY ELEMENTS FROM HEAT DEGRADATION DURING A HEAT-SEALING PROCESS

(57) Abstract: A blister pack includes a housing having a plurality of cavities and a cover sealed to the housing and enclosing the cavities. The cover includes a base layer, at least one security element, and a heat protection layer. The heat protection layer includes one of an amorphous polymer and a semi-crystalline polymer.



WO 2020/198758 A2

**METHOD OF PROTECTING SECURITY ELEMENTS FROM HEAT DEGRADATION
DURING A HEAT-SEALING PROCESS**

RELATED APPLICATION

[0001] This application is an International Patent Cooperation Treaty (PCT) application which is based on and which claims priority to U.S. Patent Application Serial No. 16/881,493, filed May 22, 2020, and U.S. Patent Application Serial No. 16/361,372, filed March 22, 2019, each of which are fully incorporated herein by reference.

FIELD OF THE INVENTION

[0002] The present invention relates, generally, to a method of protecting security elements imprinted on, or adhered to a substrate from heat degradation during a heat-sealing process.

BACKGROUND OF THE INVENTION

[0003] Coatings, i.e., films, are widely used as physical barriers to seal items into their packaging. Often, they are known as “lidding films”, such as when used in connection with blister packs in the packaging of pharmaceutical medicaments. As is understood by those of ordinary skill, the presence of the film serves to provide a physical barrier to the egress of, e.g., the medicament from the individual blister cavities in the aforementioned blister pack. Puncturing of the physical film is therefore required before any of the product housed within the closed cavities may be dispensed. Such a physical barrier not only securely holds the product against undesired egress, but also provides a measure of tamper-evident security protection, as an intended user may observe any deterioration of the physical barrier and know thereby that tampering or damage may have affected the sealed product.

[0004] Beyond concerns over the physical integrity of the packaging as accomplished by the lidding/sealing barrier, additional various mechanisms have been created so as to give a visual indication of, e.g., the source of the packaged goods, and/or the unadulterated condition of the goods themselves. Thus, in certain industries, such as the pharmaceutical or electronics industries, security insignia and other visual markings are often imprinted or deposited onto the physical barrier/film to serve as an indication of whether, e.g., the drugs contained in a blister pack are authentic and unadulterated. To this end a number of security elements designed to deter would-be counterfeiters may be incorporated into, or deposited upon, the film. One such known security deposition is holographic or other fine-structured imagery or elements. As will therefore be appreciated, a premium is placed on maintaining the integrity of the security elements.

[0005] Problems exist, however, for packaging that utilizes, e.g., holographic or other deposited and/or imprinted security elements, in that these elements are often distorted or otherwise damaged during the heat-sealing process that is integral to many packaging procedures. That is, in many known packaging systems that utilize a lidding or physical barrier, e.g., medicament blister packs, the progenitor physical barrier/film is first imprinted or deposited with various security elements, e.g., holographic elements, before the imprinted film is thereafter sealed to the blister pack. The sealing process typically involves utilizing a heated sealing die to press upon, and thereby seal, the physical barrier/film to the packaging of the blister pack.

[0006] It has long been known that this type of sealing process may tend to destroy the integrity of any, e.g., holographic element(s) imprinted or deposited upon the physical barrier/film, and so the relevant art is replete with differing die structures, each having specialized cavities and areas of differing heat profiles, all in an effort to protect those areas of the physical barrier/film having security elements from localized, excessive heat and the resultant degradation that would otherwise be incident upon these security elements during the sealing process (see, e.g., U.S.

Patent Appl. No. 15/792,248 to Claude Scott Devens). As will be appreciated, the use of specialized sealing dies adds many levels of complexity and expense to the manufacturing and sealing process.

[0007] For their part, those of ordinary skill in the deposition or imprinting of security elements, i.e., holographic elements, have long utilized a series of various coatings and films so as to cover the deposited security elements from physical degradation during manufacture and shipping. That is, security forms/elements are typically deposited or imprinted upon, e.g., a lidding sheet or other substrate when positioned on a planar platen, before being rolled up for eventual storage and/or shipping. These rolls of coated substrate can be quite large, weighing over a ton or more, and so induce a great amount of pressure upon the surface of the coated substrate, including upon the holographic elements thereon.

[0008] A collection of known chemical coatings/films have long been recognized as being able to protect any deposited or imprinted forms/elements from frictional and pressure damage, and these coatings are typically applied for this purpose during the deposition stage, so as to protect the security forms/elements from damage when the substrate is rolled and thereafter stored or shipped.

[0009] The present invention has recognized that some of the coatings typically utilized to protect security elements from damage during shipping may also provide sufficient heat resistance to security elements when made using or so coated with the same.

[0010] Thus, it is a primary aspect of the present invention to propose a method and apparatus that can effectively protect deposited or imprinted security elements from damage during a heat-sealing process, without the need for structurally complex and expensive sealing dies.

SUMMARY OF THE INVENTION

[0011] According to one embodiment of the present invention, a method of protecting security elements deposited on a substrate from heat degradation during a heat-sealing process is provided that includes defining a security element on the substrate, coating the security element with a heat resistant coating formed from a semi-crystalline or amorphous polymer, and sealing the coated substrate to a package housing.

[0012] According to another embodiment of the present invention, a method of protecting security elements deposited on a substrate from heat degradation during a heat-sealing process is provided that includes defining a security element on the substrate, coating the security element with a heat resistant coating formed from a semi-crystalline or amorphous polymer, defining a thickness of the polymer in dependence upon a predetermined heat profile to be used during the heat-sealing process, and sealing the coated substrate to a package housing with the predetermined heat profile.

[0013] According to yet another embodiment of the present invention, a blister pack is provided that includes a housing having a plurality of cavities and a cover sealed to the housing and enclosing the cavities. The cover includes a base layer, a security layer including at least one security element, and a heat protection layer. The heat protection layer is comprised from one of an amorphous polymer and a semi-crystalline polymer in order to provide for heat resistance during the sealing of the cover to the blister pack housing.

[0014] In another embodiment, a method of using a semi-crystalline or amorphous polymer material having a glass transition temperature (“ T_g ”) of greater than or equal to about 85°C (preferably from about 85 to about 165°C, more preferably from about 120 to about 150°C) is provided, the method comprising using the polymer material to form at least one of a security layer and a heat protection layer of a blister pack, the blister pack including a housing having a plurality of cavities, and a cover sealed to the housing and enclosing the cavities, the cover including a base

layer, the security layer, which includes at least one security element, and optionally, the heat protection layer. T_g , as used herein, is determined in accordance with ISO 11357-2:2020 (Plastics - Differential scanning calorimetry (DSC) - Part 2: Determination of glass transition temperature and glass transition step height).

[0015] In a further embodiment, a multi-layer film is provided, which is suitable for use in a blister pack, and which comprises a base layer, a security layer including at least one security element, and optionally, a heat protection layer, wherein at least one of the security layer and the heat protection layer comprises a semi-crystalline or amorphous polymer material having a T_g of greater than or equal to about 85°C (preferably from about 85 to about 165°C, more preferably from about 120 to about 150°C).

[0016] In yet a further embodiment, a blister pack is provided that includes a housing having a plurality of cavities, and a cover sealed to the housing and enclosing the cavities, the cover including a base layer, a security layer including at least one security element, and optionally, a heat protection layer, wherein at least one of the security layer and the heat protection layer comprises a semi-crystalline or amorphous polymer material having a T_g of greater than or equal to about 85°C (preferably from about 85 to about 165°C, more preferably from about 120 to about 150°C).

[0017] In one such embodiment, the security layer of the blister pack comprises a semi-crystalline or amorphous polymer material having a T_g of greater than or equal to about 85°C.

[0018] In another such embodiment, the blister pack includes a heat protection layer that comprises a semi-crystalline or amorphous polymer material having a T_g of greater than or equal to about 85°C.

[0019] In yet another such embodiment, the blister pack includes a heat protection layer and both the heat protection layer and the security layer each comprise a semi-crystalline or amorphous polymer material having a T_g of greater than or equal to about 85°C.

BRIEF DESCRIPTION OF THE DRAWINGS

[0020] Features and advantages of embodiments of the present invention will become apparent on reading the detailed description below with reference to the drawings, which are illustrative but non-limiting, wherein:

[0021] FIGURE 1 is a cross-sectional view of an embodiment of a heat resistant multi-layer film.

[0022] FIGURE 2 is a flow chart illustrating a method of making a heat resistant multi-layer film according to an embodiment of the present invention.

DETAILED DESCRIPTION OF THE INVENTION

[0023] Reference will be made below in detail to exemplary embodiments of the invention, examples of which are illustrated in the accompanying drawings. Wherever possible, the same reference characters used throughout the drawings refer to the same or like parts, without duplicative description.

[0024] While embodiments disclosed herein are described with respect to heat stable coatings and films used to protect security elements integrated into the lidding material of pharmaceutical blister packs, the present invention is not so limited in this regard. In particular, it is contemplated that the inventive coatings and films may be utilized in any application where heat protection of a deposited or printed element on a substrate is desired including, but not limited to, security papers, product packaging, lidding, and the like.

[0025] As used herein, the terms “substantially,” “generally,” and “about” indicate conditions within reasonably achievable manufacturing and assembly tolerances, relative to ideal desired conditions suitable for achieving the functional purpose of a component or assembly.

[0026] Moreover, the term “multi-layer film” or “film” refers to a multi-leveled material that usually takes the form of a sheet when assembled. Individual layers may be of uniform material

or have multiple materials incorporated into a single layer. An individual layer may also be comprised of sub-layers with individual properties. Materials comprising the various layers may be formed and bound together in any number of orders using any of the various techniques known in the art. Certain layers may be a continuous sheet at time of application, other layers may be formed by discrete deposition (e.g., sprayed on inks or polymers, floating a liquid that then cures, etc.).

[0027] The term “primer”, as used herein, refers to a material applied to a layer in order to prepare it for a subsequent step. A primer may also be an individual layer as part of a multi-layer film, part of a layer, or in between layers. In some embodiments a primer material may serve more than one particular function (e.g., to prepare a surface for printing while serving as a protective barrier). Primer material may be formed or deposited on an adjacent surface. In certain embodiments the primer may be a polymer sheet. In certain other embodiments the primer may be sprayed on and cured.

[0028] Also, as used herein the term “blister pack” refers to a type of packaging wherein cavities formed in a first material are subsequently sealed using a lidding film. A lidding film may be a multi-layer film or may be composed of a single material.

[0029] Also, as used herein the term “security element” refers to elements designed and/or configured to combat counterfeiting, thus providing assurance to the consumer that products contained in packaging sealed by the film are genuine and unadulterated. In some embodiments the counterfeit-deterrence measure may be a hologram. In some embodiments the counterfeit-deterrence measure may be microprinted words or images that may also be a part of a hologram. In other embodiments an embossed pattern may be imposed over the surface of a layer. In other embodiments a security strip (e.g., a micro-optic security strip) may be embedded in the layer. The above examples may appear alone or in combination with each other and other similar measures. A counterfeit-deterrence measure may be part of a layer or sub-layer with

multiple measures alone or in combination appearing as either an individual layer, part of a sub-layer, or in combinations thereof.

[0030] As used herein, the term “semi-crystalline” polymer refers to a material comprised of a collection of polymer macromolecule chains having a morphology consisting of crystalline lamellae separated by amorphous regions. Such a material may be in the form of a sheet or otherwise formed or deposited in place as part of a multi-layer film. Alterations to side-chain groups and the presence or absence of plasticizing agents may affect the final structure and distribution of the crystalline lamellae and amorphous regions in the semi-crystalline polymer material. Semi-crystalline polymers are characterized by a T_g at which the semi-crystalline polymer material undergoes a second order transition with a concomitant change in heat capacity. In some embodiments, at or above T_g , significantly more heat may be added to the polymer without a greater rise in temperature. Likewise, “amorphous” polymers have no crystalline lamellae and also undergo a glass transition change at a glass transition temperature T_g .

[0031] Turning now to Figure 1, a multi-layer construct **100** showing use of a heat resistant coating or protection layer **103** according to one embodiment of the present invention, is illustrated. The multi-layer construct **100** includes a base layer/substrate/housing **101**, a security layer **102**, and the heat resistant protection layer **103**. As shown in Figure 1, the multi-layer construct **100** reflects a blister pack having a plurality of wells **104** for retaining product **105** therein. As will be appreciated, the layers shown in Figure 1 are not drawn to scale and sizes are exaggerated to better illustrate component parts. Moreover, it will also be appreciated that the product **105** may be anything that can be sealed in such a package. Examples can include: pharmaceuticals, electrical components, and sterilized medical supplies, amongst others.

[0032] As will be appreciated by one of ordinary skill, the base layer **101** may be made of any material without departing from the broader aspects of the present invention. Indeed, the base layer **101** may be made of paper of various weights, thicknesses, and surface finishes. In

other embodiments base layer **101** may be a metallic foil, likewise of various weights, thicknesses, and surface finishes, or base layer **101** may be a paper/foil laminate. In an embodiment, adhesives (e.g., heat-seal coatings or heat-activated adhesives) may be applied to base layer **101** in order to adhere the base layer **101** onto a surface (e.g., the material of the blister pack). The adhesives may be heat activated, optically activated (e.g., UV light cured); or configured for attachment to blister pack **104** by mechanical means (e.g., “knurled” or textured together; or, flowing and freezing into textured surface crevices).

[0033] As also shown in Figure 1, the security layer **102**, which is adhered to layer **101**, contains discreet security elements **106** that are imaged, printed or otherwise deposited thereon (e.g., a metalized, embossed holographic structures). The security layer **102** as well as the heat resistant protection layer **103** described below may be formed using one or more essentially colorless polymers including, but not limited to, acrylic, polyester, polypropylene, polyethylene, polyethylene terephthalate, polyvinyl chloride and polyurethane polymers, nitrocellulose, and the like, and combinations thereof. In an exemplary embodiment, the security layer is formed using one or more heat stable amorphous or semi-crystalline polymers (e.g., acrylic, polyester and polyurethane polymers) having a T_g of greater than or equal to about 85°C, such as poly(methyl methacrylate) or PMMA and has a thickness of greater than or equal to 0.8 microns (preferably, from about 0.8 to about 4.0 microns). Such heat stable PMMA materials are available from Sun Chemical Corporation, 35 Waterview Boulevard, Parsippany, NJ 07054-1285. In other embodiments, the security layer **102**, itself, may define a security element. Specifically, security elements **106** do not need to be discreet, and instead, for example, may extend across all or substantially all of the upper surface of security layer **102**. As will be readily appreciated by the skilled person, this would obviate the need to register security elements **106** to wells **104**. Regardless, and as shown in the embodiment of Figure 1, the security elements **106**, are located above the opening of the wells **104**, although one or more security elements **106** may be placed

at any location within security layer **102** and with respect to the wells **104**, without departing from the broader aspects of the present invention.

[0034] Heat resistant protection layer **103**, which safeguards the physical integrity and visual appearance of security layer **102**, may be transparent, translucent, tinted, or pigmented and may provide additional functionality for security and authentication purposes. For its part, in an exemplary embodiment, the heat resistant protection layer **103**, which conforms to the surface topography of the underlying security layer **102** and which has a minimum thickness of about 0.8 microns (preferably, from about 0.8 to about 4.0 microns) is composed of a semi-crystalline polymer material (e.g., acrylic, polyester and polyurethane polymer materials) having a T_g of greater than or equal to about 85°C, preferably having crystalline lamellae separated by amorphous regions. It is an important recognition of the present invention that controlling the ratio, composition, and nature of the crystalline lamellae (e.g., high turned, or tilt-angled), as compared to the amorphous regions, essentially controls the T_g of a particular polymer material. In other embodiments, the heat resistant protection layer **103** is composed of a substantially homogeneous amorphous polymer material with a T_g of greater than or equal to about 85°C.

[0035] In use, a plurality of security elements **106** are printed, impregnated or otherwise deposited upon the base layer or substrate of a package, such as the base layer **101** of the blister pack shown in Figure 1. This combined base layer **101** plus security elements **106** must then be sealed to the material of the blister pack. Typically, this sealing process involves the application of heat, to melt or otherwise cause the material of the base layer **101** to become affixed to the material of the blister pack housing. It will be readily appreciated that it is of utmost importance that the heat-sealing process does not destroy or otherwise deform or degrade the security elements **106**, during the sealing process.

[0036] By applying heat at a temperature at or below the T_g of the polymer material and above the activation temperature of the adhesive, the layer(s) formed using the polymer material

(i.e., the heat resistant protection layer **103** and/or the security layer **102**) does not deform and in the case of the protection layer **103**, also serves to lock in or secure the fine surface structure of the underlying security layer **102**, thus preserving the structure of security elements **106**. At temperatures above T_g the heat capacity of the semi-crystalline or amorphous polymer material increases, providing additional thermal protection should any process deviations occur (e.g., unexpected increase in temperature).

[0037] It is therefore an important aspect of the present invention that it is possible to protect security elements formed on a substrate from the damaging effects of a heat-sealing operation by using a semi-crystalline or amorphous polymer material having a T_g of greater than or equal to about 85°C to form at least one of the security layer **102** and the heat resistant protection layer **103**, alone. In this manner, the security elements **106** are adequately protected from the heat of the sealing process, all without the need for sophisticated heating dies, having complex architecture and differing areas of heat conductivity, as is currently known and employed in the art.

[0038] In some embodiments, the security layer **102** is composed of a semi-crystalline polymer material such as PMMA or an amorphous polymer material, the polymer material having a T_g of greater than or equal to about 85°C (preferably from about 85 to about 165°C, more preferably from about 120 to about 150°C). Such a heat stabilized polymer material allows the holographic or other fine-structured imagery of the security elements **106** to remain unaltered or substantially unaltered during a heat-sealing process, thus preserving the optical effect of security elements **106**. This same effect may also be achieved by using one or more such polymer materials to form protection layer **103**, or by using one or more such polymer materials to form both the protection layer **103** and the security layer **102**.

[0039] In other embodiments the protection layer **103** is composed of a semi-crystalline polymer such as PMMA or an amorphous polymer material, the polymer material having a T_g of

greater than or equal to about 85°C. As an example, a multi-layer construct **100** with a heat resistant protection layer **103** composed of PMMA having a T_g of 165°C is applied to a blister pack **104** using an application temperature range of 135-160°C and commonly at a temperature of about 147°C (dependent upon blister pack material composition, adhesives (if present), and specific multi-layer construct **100** composition). This is lower than the T_g of 165°C of the PMMA. Indeed, dependent upon other co-polymers, side chain compositions, presence of plasticizers, free volume of the polymer material, etc. PMMA formulations may have a T_g in the range of 85-165°C. Thus, in practice, a protective film (and/or the security layer) may be formed from polymer materials chosen to have a T_g above the application temperature range.

[0040] The heat resistant protection layer **103** may further serve and be configured as a primer enabling the deposition of inks or other materials. Thus, in some embodiments, inks may be “overprinted” on top of the protection layer **103**. As will also be appreciated, the protection layer **103** may be the final layer in the multi-layer film, or it may be beneath or between one or more layers. In some embodiments, the protection layer **103** may vary in thickness with thicker or thinner areas corresponding to areas needing more or less protection. In some embodiments the protection layer **103** may contain an embossed design that also serves as a counterfeit deterrence measure on its own or as part of security elements **106**. In still other embodiments protection layer **103** may contain two or more polymer materials with two or more T_g s. The two or more polymer materials may be in discrete patches or may be continuous and/or contiguous with each other with either blended transitions between polymer materials or defined transitions.

[0041] In an embodiment, the heat resistant protection layer **103** may be deposited directly atop the base layer **101** or the security layer **102** (with security elements **106**) through the use of a spray applicator or liquid coating. In other embodiments, it is envisioned that the protection layer **103** may be applied using a transfer film and/or a transfer lamination process.

[0042] Thus, the heat resistant protection layer **103** serves as a protective brace and/or heat sink. As noted above, the protection layer **103** conforms to the surface topography of the underlying security layer **102** and holds the surface microstructure of the security elements **106** in place, thus protecting the counterfeit-deterrence properties to an extent that the integrity of the security elements **106** will not be compromised (e.g., distort, degrade, break, alter color, alter texture, etc.). In some embodiments, the protection layer **103** may serve in the same capacity against other activation energies, for example, UV light.

[0043] Therefore, in those embodiments that use heat as the activation energy, the protection provided by protection layer **103** and/or security layer **102** eliminates the need for specially configuring the heating/sealing plate/platen of the blister pack packaging system. Indeed, the protection layer and/or security layer enables the use of standard, flat, heating plates to seal the lidding film with integrated security elements **106** onto a blister pack without degrading such security elements. The manufacturing process is therefore substantially simplified, rendering it much more cost effective.

[0044] Turning now to Figure 2, a method **200** of manufacturing a multi-layer film **100** having a protection layer **103** is illustrated. In a first step **201**, a base layer **101** is provided. In a second step **202**, a security layer **102** with a plurality of security elements **106** is formed or deposited on top of a base layer **101**. In a third step **203**, the protection layer **103** is formed or deposited on top of security layer **102**. Optionally, protection layer **103** may also be formed on top of base layer **101**, sandwiching anti-counterfeit layer **102** between two protection layers. In an optional fourth step **204**, an additional layer of ink or other material may be deposited on top of the protection layer **103**.

[0045] With further reference to Fig. 2, additional steps may be employed depending on the end use for the film. For example, when using the film as a lidding material for a blister pack, in a fifth step **205**, the multi-layer film **100** may be placed over the blister pack. In practice, this may be accomplished by unspooling/unwinding the multi-layer film **100** from a roll and placing it

in close proximity to a blister pack sheet **104** with wells **104** containing product **105**. As a sixth step **206**, the multi-layer film **100** with security elements **106** may be aligned over the blister pack shown in Figure 1 in such a fashion so that security elements **106** are aligned with wells **104**. Finally, an activation energy (heat, UV rays, microwaves, mechanical pressure, etc.), such as heat applied from a heating plate/platen, is applied as a seventh step **207** sealing the multi-layer construct **100** to blister pack.

[0046] It is further to be understood that the above description is intended to be illustrative, and not restrictive. For example, the above-described embodiments (and/or aspects thereof) may be used in combination with each other. Additionally, many modifications may be made to adapt a particular situation or material to the teachings of the invention without departing from its scope.

[0047] In contrast to existing systems/methods, the multi-layer film disclosed herein allows for the use of security elements in blister packs and other applications without the need for customized tooling, molds, or manufacturing devices (such as specialized heating plates). This decreases the overhead required to start a manufacturing process and increases the overall utility of a multi-layer film.

[0048] Finally, the written description uses examples to disclose the invention, including the best mode, and also to enable any person skilled in the art to practice the invention, including making and using any devices or systems and performing any incorporated methods. The patentable scope of the invention is defined by the claims, and may include other examples that occur to those skilled in the art. Such other examples are intended to be within the scope of the claims if they have structural elements that do not differ from the literal language of the claims, or if they include equivalent structural elements with insubstantial differences from the literal language of the claims.

[0049] Since certain changes may be made in the above-described invention, without departing from the spirit and scope of the invention herein involved, it is intended that all of the

subject matter of the above description shown in the accompanying drawings shall be interpreted merely as examples illustrating the inventive concept herein and shall not be construed as limiting the invention.

CLAIMS

1. A blister pack, comprising:
a housing having a plurality of cavities;
a cover sealed to said housing and enclosing said cavities, said cover including a base layer, a security layer including at least one security element, and a heat protection layer; and
wherein said heat protection layer is comprised of one of an amorphous polymer and a semi-crystalline polymer.

2. A method of protecting security elements deposited on a substrate from heat degradation during a heat-sealing process, said method comprising the steps of: defining a security element on said substrate;
coating said security element with a heat resistant coating formed from a semi-crystalline polymer;
and
sealing said coated substrate to a package housing.

3. The method according to claim 2, wherein:
said security element is a holographic element.

4. The method according to claim 2, wherein:
said semi-crystalline polymer is chosen from the group consisting of: acrylic, polyester and polyurethane semi-crystalline polymers and combinations thereof.

5. The method according to claim 2, wherein:
said sealing is accomplished with a die, said die having a substantially uniform heating profile.

6. A method of protecting security elements deposited on a substrate from heat degradation during a heat-sealing process, said method comprising the steps of: defining a security element on said substrate;
coating said security element with a heat resistant coating formed from a semi-crystalline polymer;
defining a thickness of said semi-crystalline polymer in dependence upon a predetermined heat profile to be used during said heat-sealing process; and
sealing said coated substrate to a package housing with said predetermined heat profile.
7. The method according to claim 6, wherein:
said security element is a holographic element.
8. The method according to claim 6, wherein:
said semi-crystalline polymer is chosen from the group consisting of: acrylic, polyester and polyurethane semi-crystalline polymers and combinations thereof.
9. The method according to claim 6, wherein:
said sealing is accomplished with a die, said die having a substantially uniform heating profile.
10. A multi-layer film comprising:
a base layer;
a security element atop the base layer; and,
a protection layer atop the security element;
wherein the protection layer is comprised of a polymer material configured to act as a heat sink for protection of the at least one security element.

11. The multi-layer film of claim 10 further comprising an application of an additional layer atop the protection layer.
12. The multi-layer film of claim 11 wherein the additional layer is at least one of: a masking ink, a friction reducing coating, or a strength enhancing film.
13. The multi-layer film of claim 10 wherein the polymer material is semi-crystalline.
14. The multi-layer film of claim 10 wherein the polymer material is amorphous.
15. The multi-layer film of claim 10 wherein the polymer material is PMMA.
16. The multi-layer film of claim 10 wherein the polymer material has a T_g greater than the temperature at which damage would occur to the security element.
17. The multi-layer film of claim 10 wherein the security element is at least one of a: hologram, microprinted image, security strip, or an embossing.
18. The multi-layer film of claim 10 wherein the protection layer is applied to the security layer in discrete patches corresponding to the at least one security element.
19. The multi-layer film of claim 10 wherein the protection layer varies in thickness over the security element.
20. The multi-layer film of claim 10 wherein the protection layer is also configured as a primer.

21. The multi-layer film of claim 10 wherein the multi-layer film is applied to a blister pack.
22. The multi-layer film of claim 21 wherein the security element is centered over at least one well of the blister pack.
23. The multi-layer film of claim 21 wherein an activation energy seals the film to the blister pack and wherein the protection layer protects the security element from the activation energy.
24. A method of forming a multi-layer film comprising:
providing a base layer;
forming a security layer with at least one security element; and,
forming a protection layer.
25. The method of claim 24 wherein the protection layer is at least one of a semi-crystalline or amorphous polymer material.
26. The method of claim 24 wherein the security element is a hologram.
27. The method of claim 24 further comprising:
placing the multi-layer film over a blister pack;
aligning at least one security element over at least one well of the blister pack; and, applying an activation energy.
28. The method of claim 27 further comprising:
applying an additional layer.

29. A method of using a semi-crystalline or amorphous polymer material having a T_g of greater than or equal to about 85°C is provided, the method comprising using the polymer material to form at least one of a security layer and a heat protection layer of a blister pack, the blister pack including a housing having a plurality of cavities, and a cover sealed to the housing and enclosing the cavities, the cover including a base layer, the security layer, which includes at least one security element, and optionally, the heat protection layer.

30. A multi-layer film is provided, which is suitable for use in a blister pack, and which comprises a base layer, a security layer including at least one security element, and optionally, a heat protection layer, wherein at least one of the security layer and the heat protection layer comprises a semi-crystalline or amorphous polymer material having a T_g of greater than or equal to about 85°C.

31. A blister pack is provided that includes a housing having a plurality of cavities, and a cover sealed to the housing and enclosing the cavities, the cover including a base layer, a security layer including at least one security element, and optionally, a heat protection layer, wherein at least one of the security layer and the heat protection layer comprises a semi-crystalline or amorphous polymer material having a T_g of greater than or equal to about 85°C.

32. The blister pack of claim 31, wherein the security layer comprises a semi-crystalline or amorphous polymer material having a T_g of greater than or equal to about 85°C.

33. The blister pack of claim 31, wherein the blister pack includes a heat protection layer that comprises a semi-crystalline or amorphous polymer material having a T_g of greater than or equal to about 85°C.

34. The blister pack of claim 31, wherein the blister pack includes a heat protection layer and both the heat protection layer and the security layer each comprise a semi-crystalline or amorphous polymer material having a T_g of greater than or equal to about 85°C.

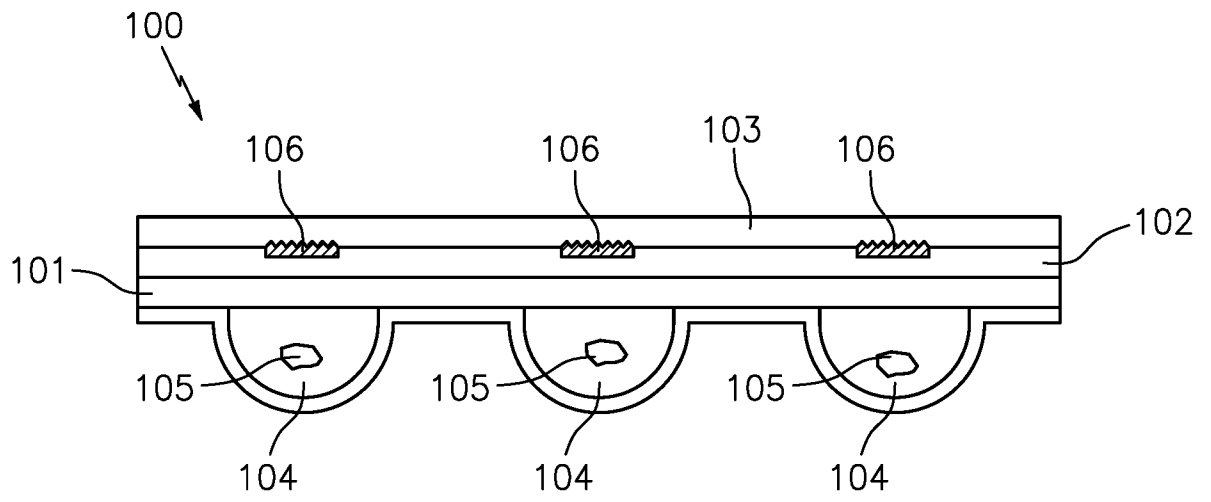


FIG. 1

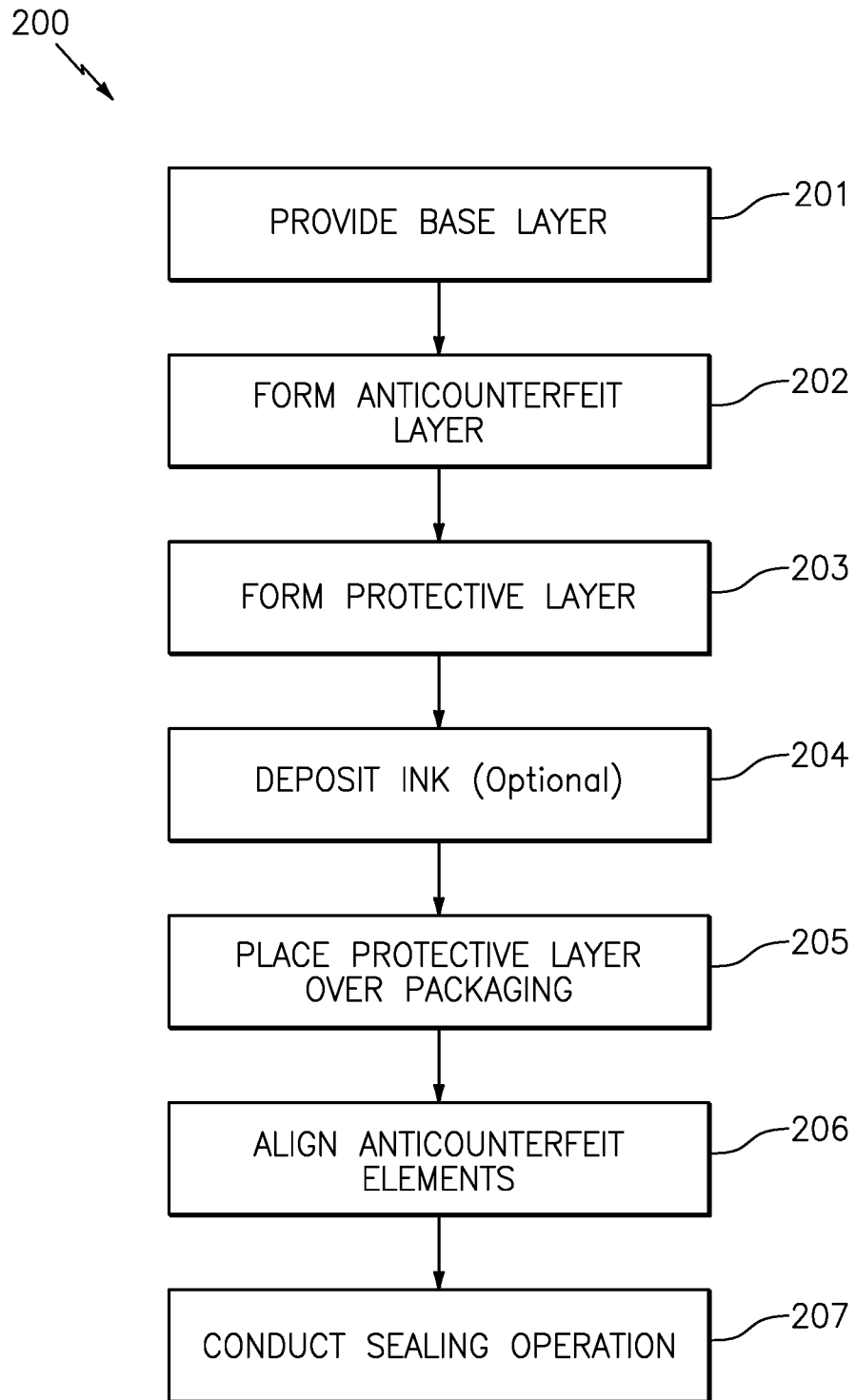


FIG. 2