

(12) **United States Design Patent**
Weiss

(10) **Patent No.:** **US D811,054 S**
(45) **Date of Patent:** **** Feb. 27, 2018**

- (54) **SHIRT**
- (71) Applicant: **Howard Weiss**, Miami Beach, FL (US)
- (72) Inventor: **Howard Weiss**, Miami Beach, FL (US)
- (**) Term: **15 Years**
- (21) Appl. No.: **29/563,569**
- (22) Filed: **May 5, 2016**
- (51) **LOC (11) Cl.** **02-02**
- (52) **U.S. Cl.**
USPC **D2/849**
- (58) **Field of Classification Search**
USPC D2/731, 849, 840
CPC A41D 27/28
See application file for complete search history.

D770,129 S *	11/2016	Lomax	D2/731
D770,131 S *	11/2016	Darmour	D2/731
D771,905 S *	11/2016	McArthur	D2/717
D783,931 S *	4/2017	Darmour	D2/731
9,713,352 B2 *	7/2017	Demarest	A41D 3/00
2006/0272071 A1 *	12/2006	Mickle	A41D 13/0512
				2/69
2009/0098801 A1 *	4/2009	Pedersen	A41C 1/02
				450/7

* cited by examiner

Primary Examiner — Kevin K Rudzinski
(74) *Attorney, Agent, or Firm* — Nicholas R. Lewis, Esq.

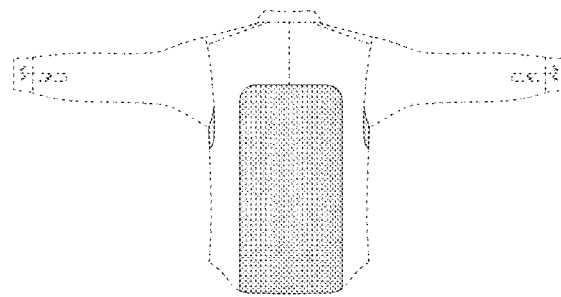
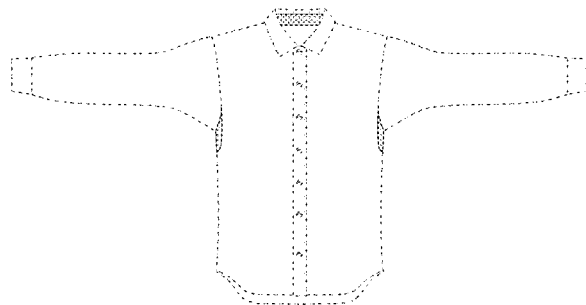
(57) **CLAIM**

The ornamental design for a shirt, as shown and described.

DESCRIPTION

FIG. 1 is a front view of an example of the shirt;
FIG. 2 is a rear view thereof;
FIG. 3 is a first side view thereof;
FIG. 4 is a second side view thereof;
FIG. 5 is a top view thereof;
FIG. 6 is a bottom view thereof;
FIG. 7 is an additional front view thereof with the collar in an upright position;
FIG. 8 is a front view of another example of the shirt;
FIG. 9 is a rear view thereof;
FIG. 10 is a first side view thereof;
FIG. 11 is a second side view thereof;
FIG. 12 is a top view thereof;
FIG. 13 is a bottom view thereof; and,
FIG. 14 is an additional front view thereof with the collar in an upright position.
The broken lines shown in the drawings illustrate portions of the shirt that form no part of the claimed design.

1 Claim, 14 Drawing Sheets



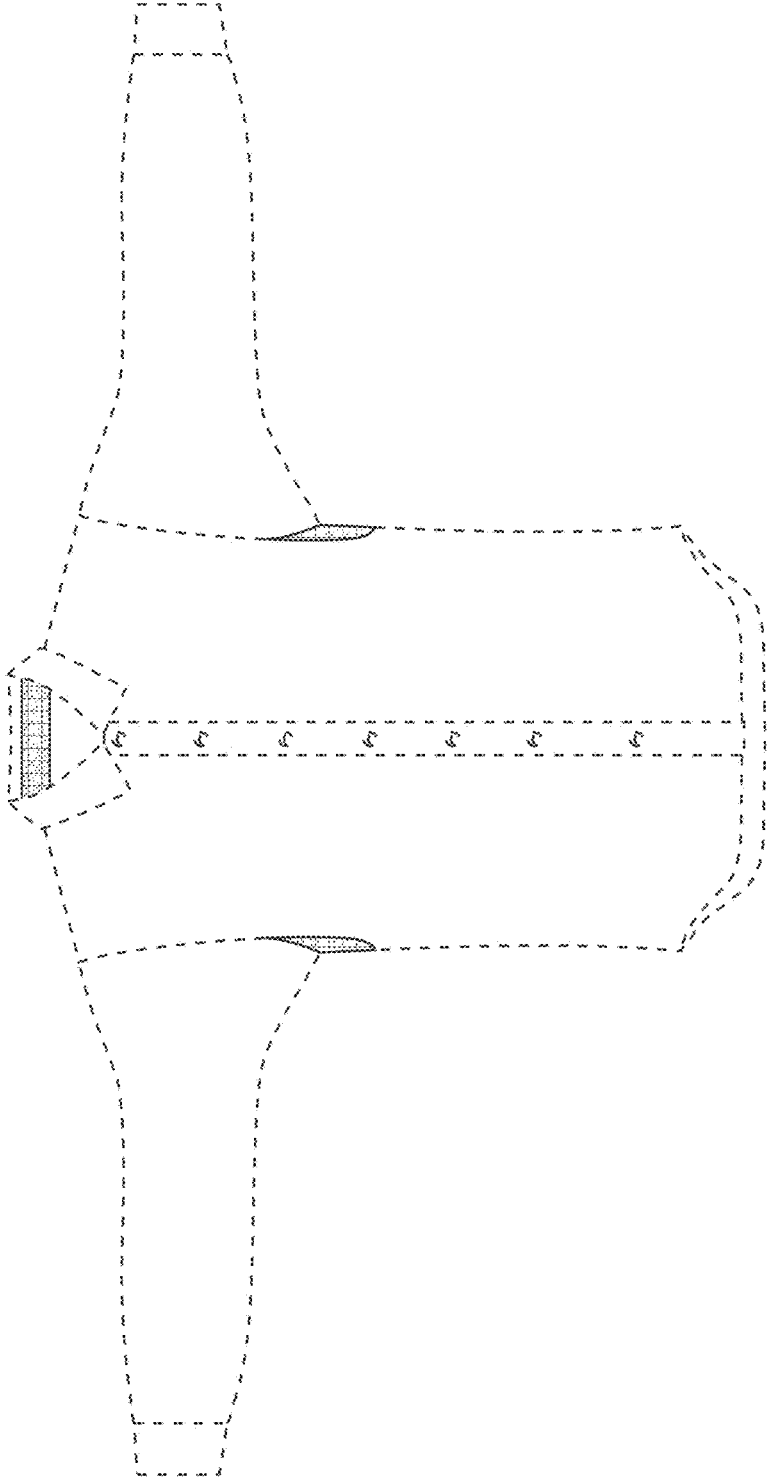


FIG. 1

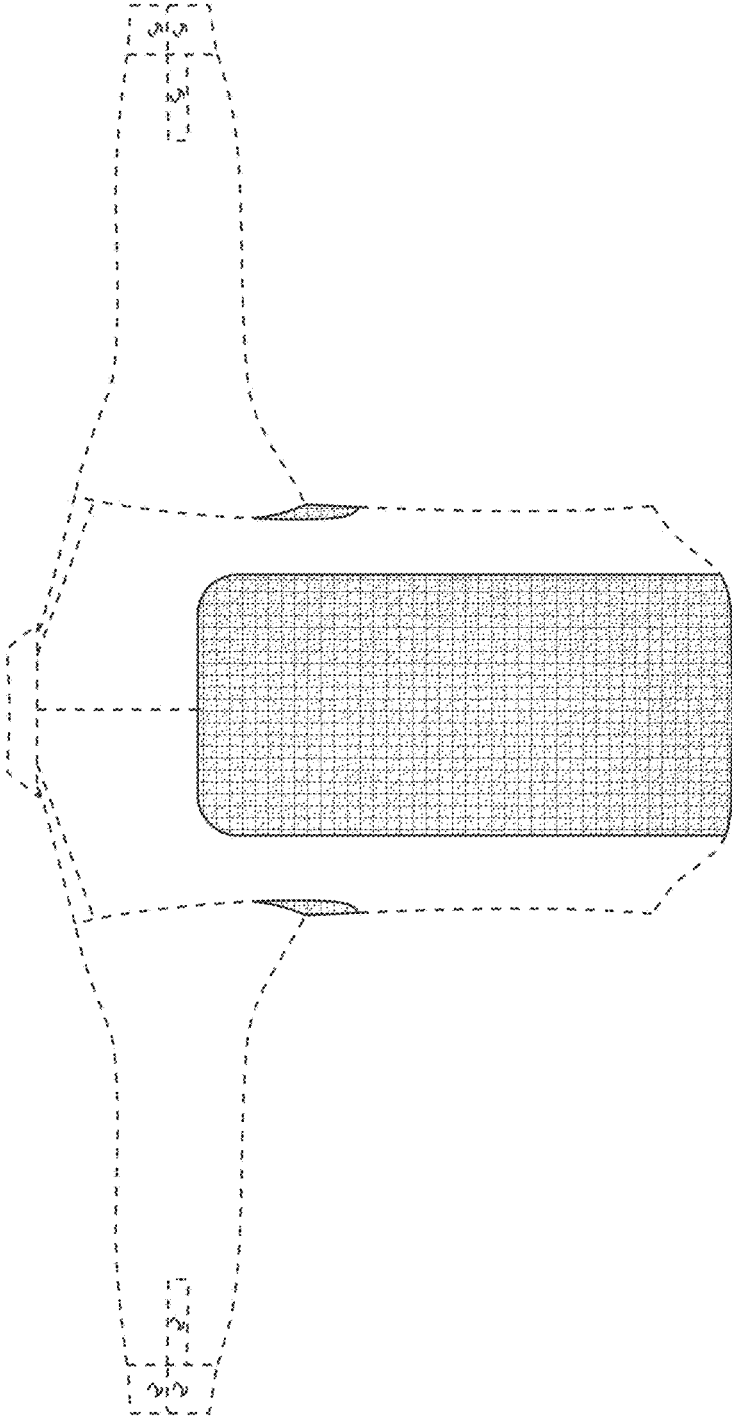


FIG. 2

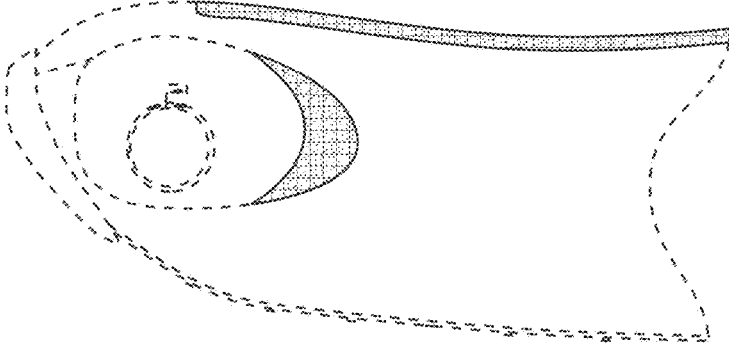


FIG. 3

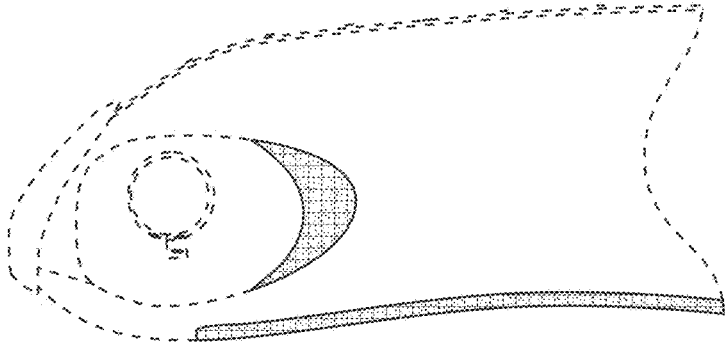


FIG. 4

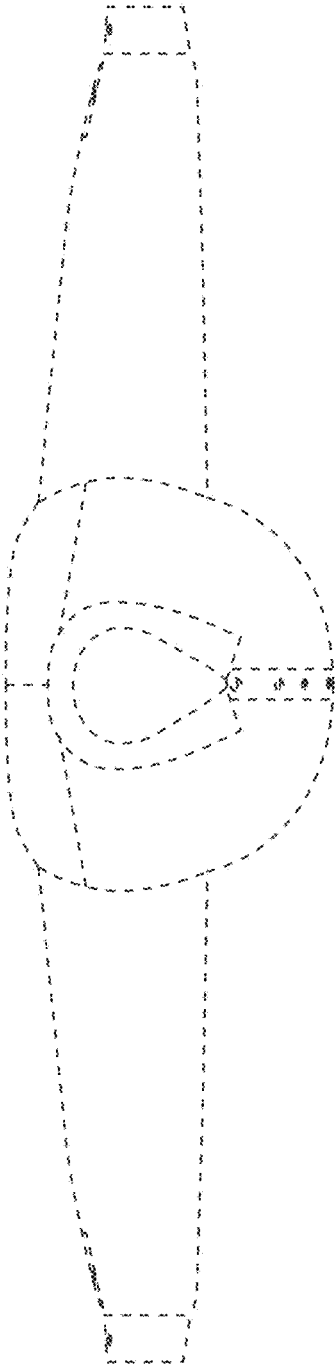


FIG. 5

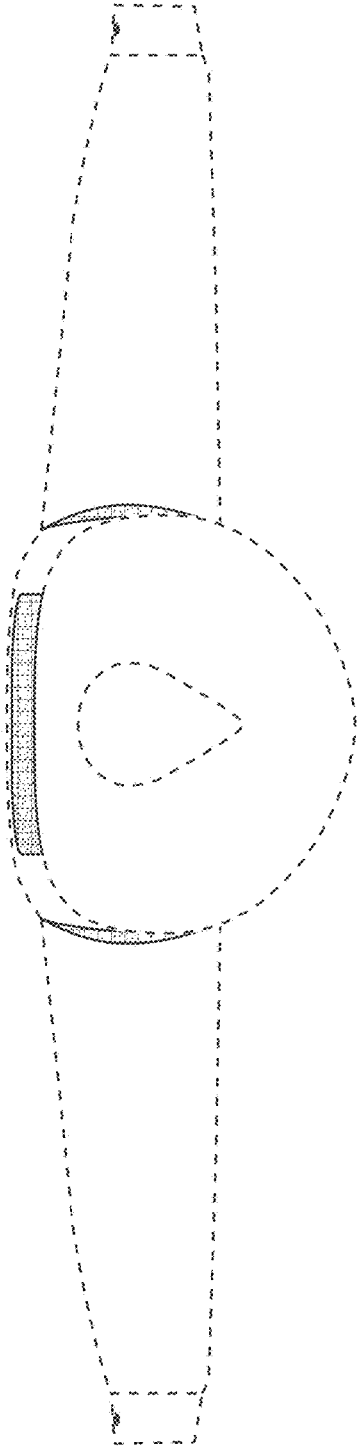


FIG. 6

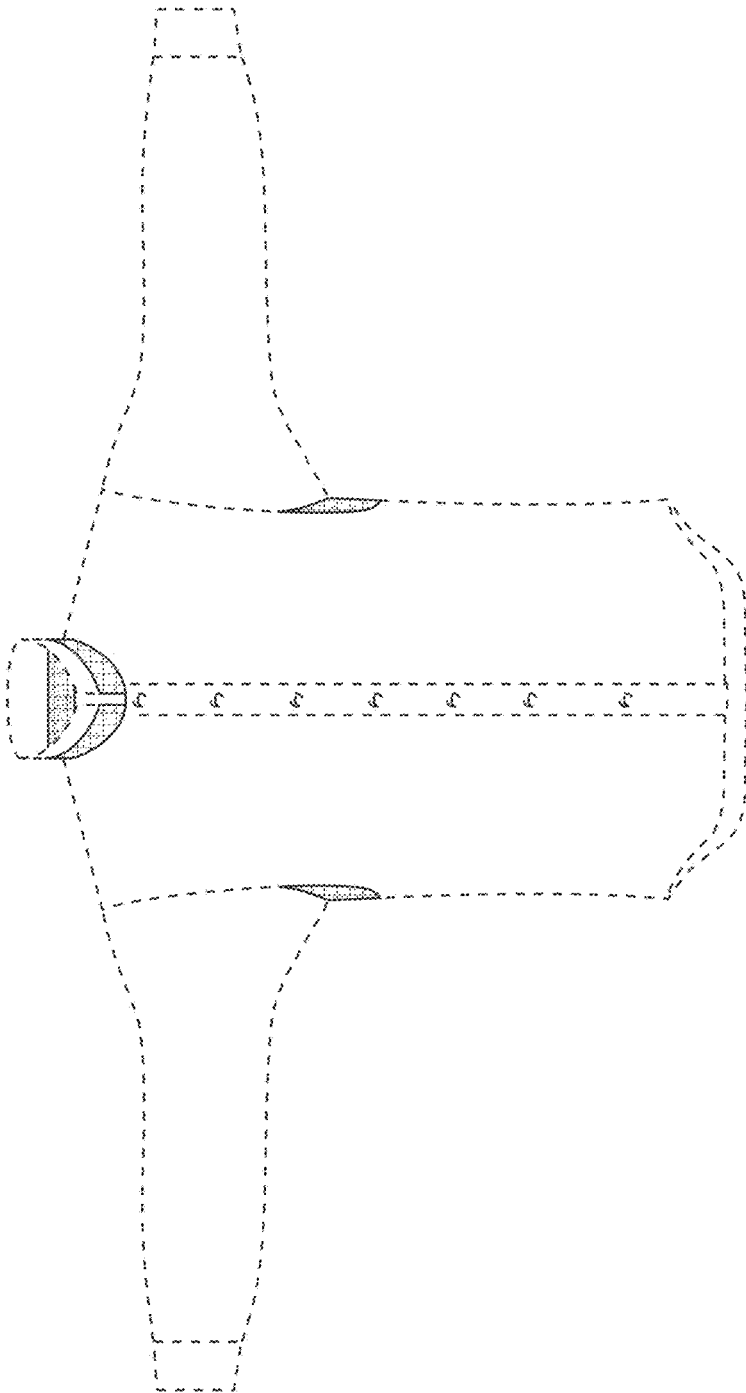


FIG. 7

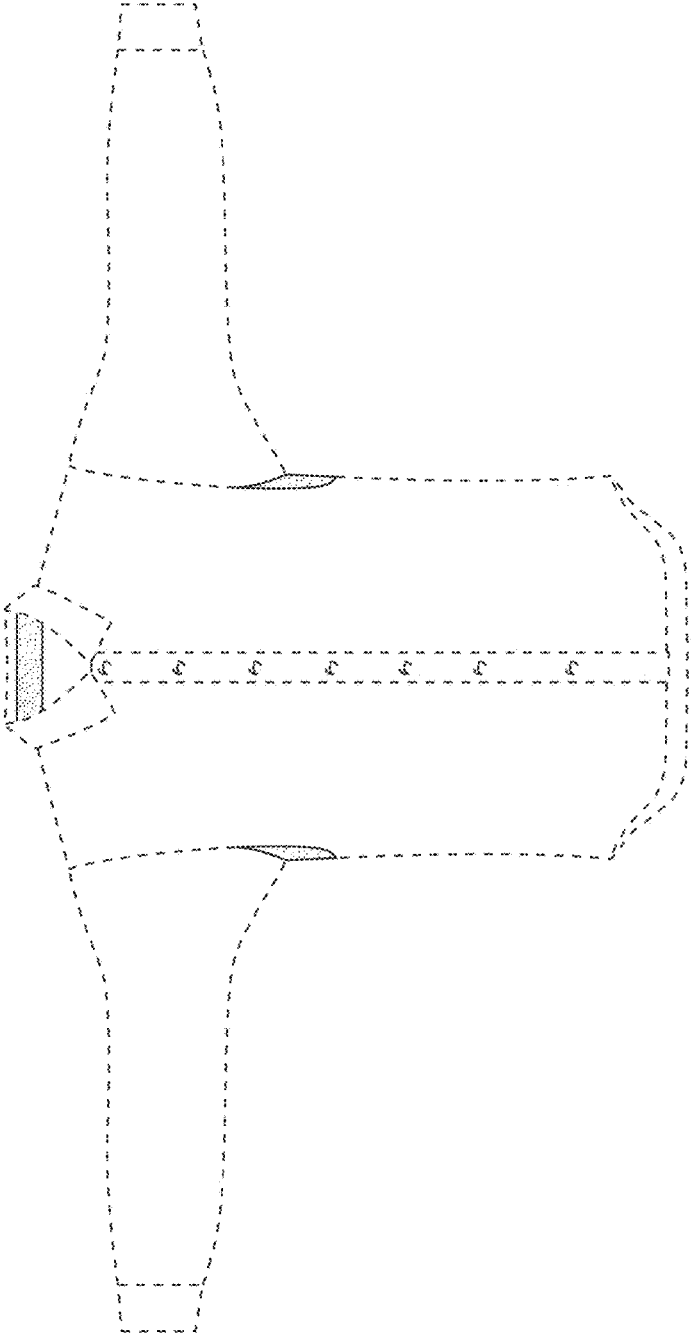


FIG. 8

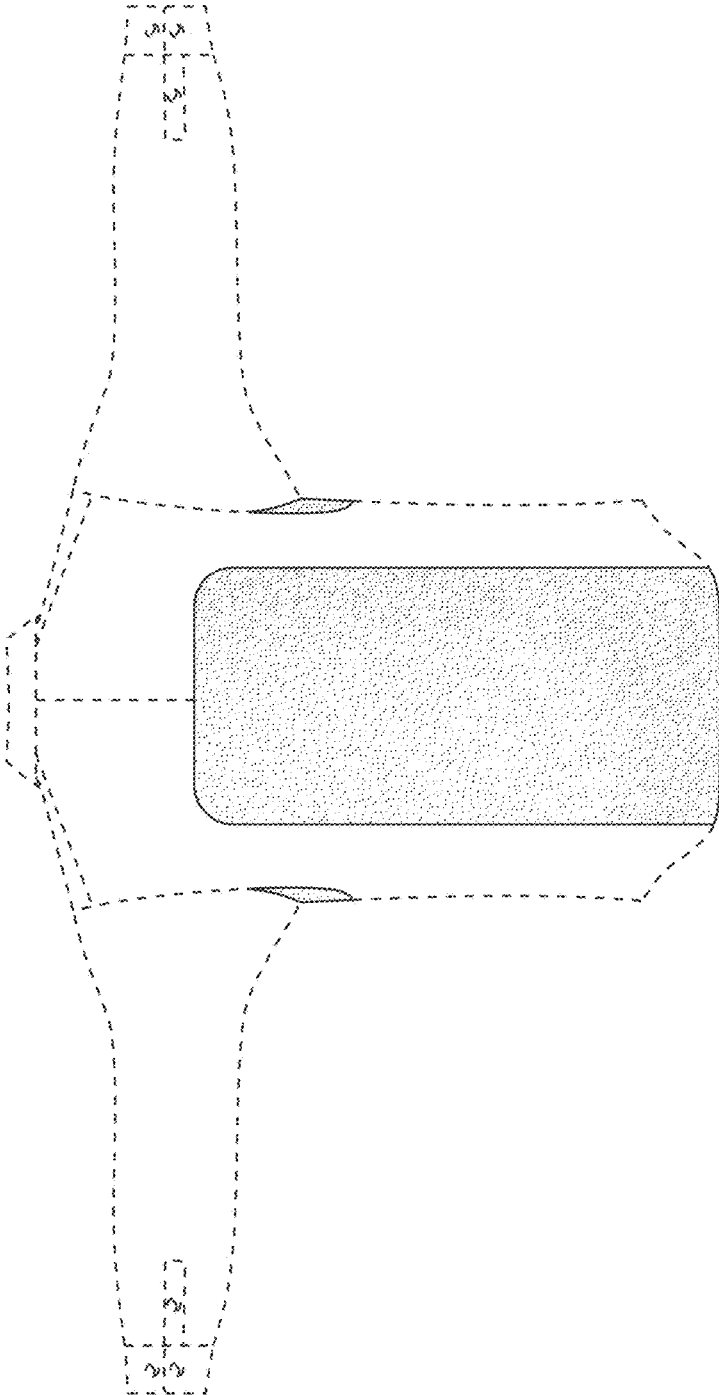


FIG. 9

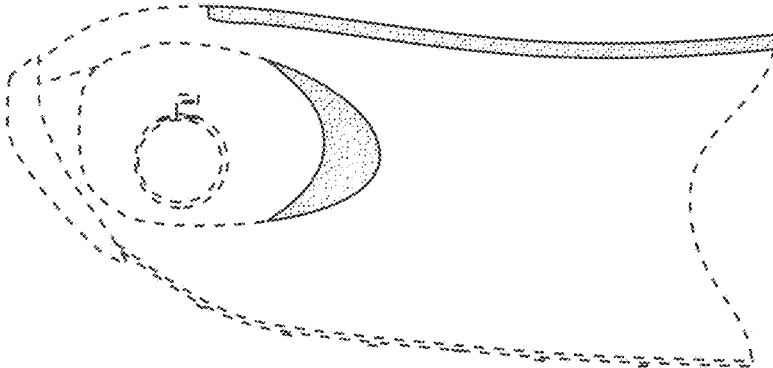


FIG. 10

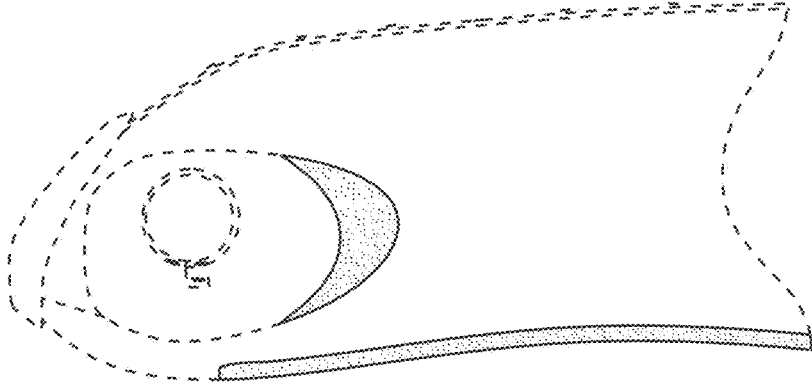


FIG. 11

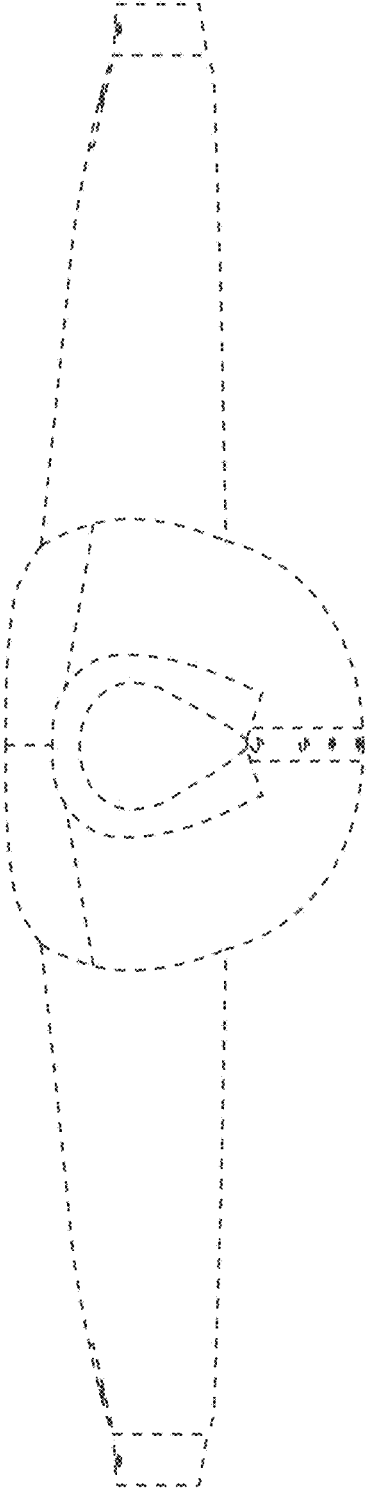


FIG. 12

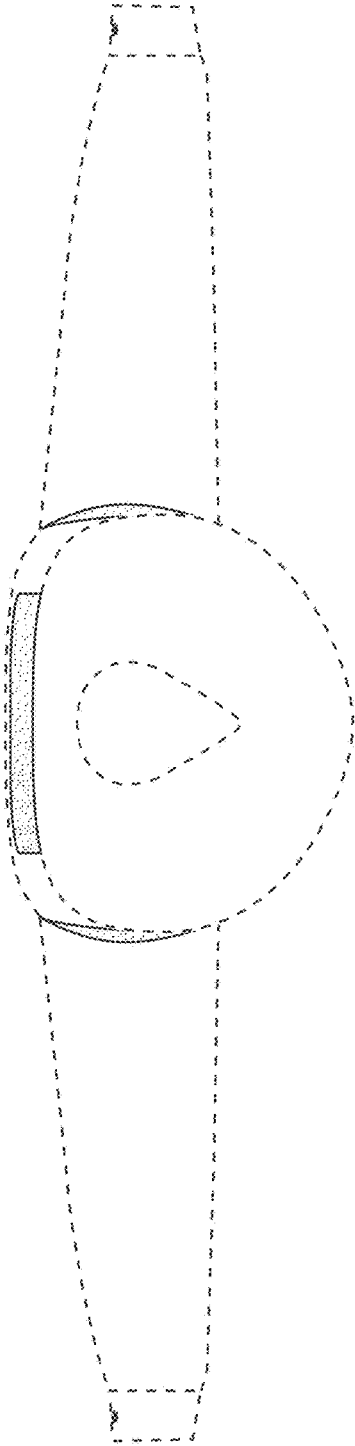


FIG. 13

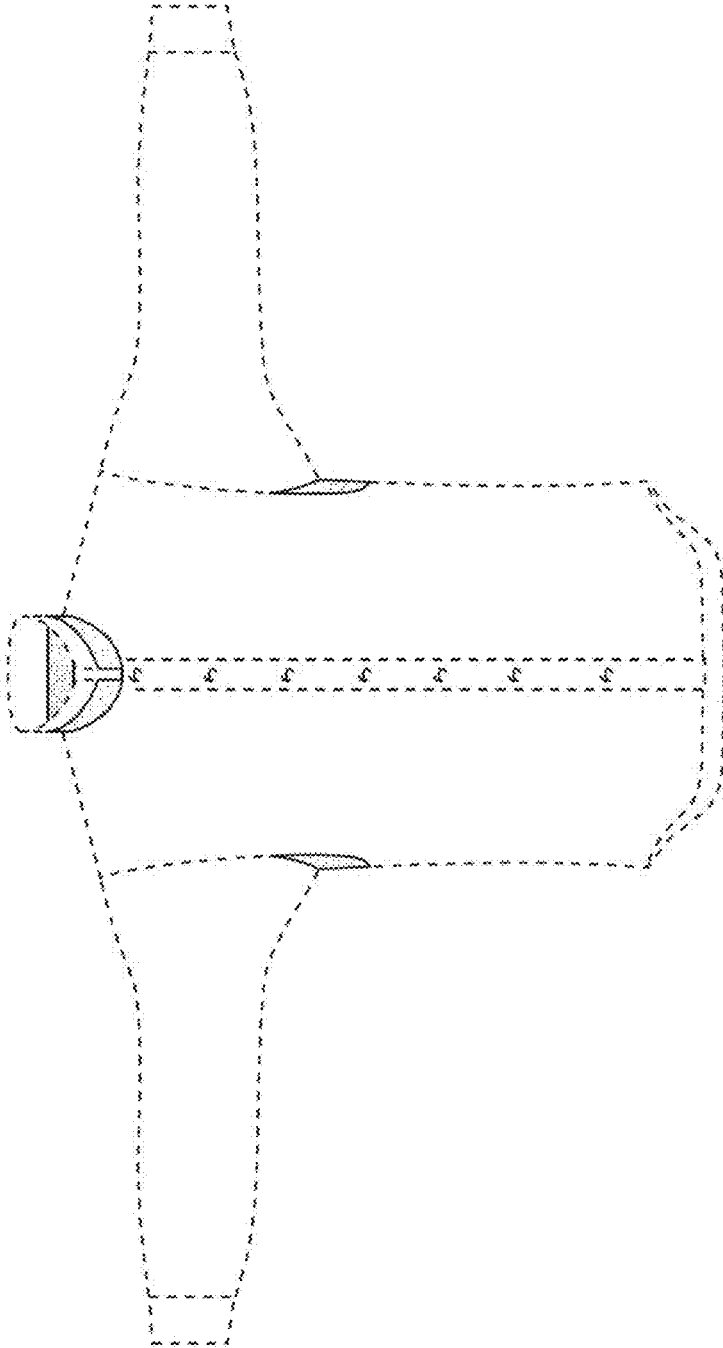


FIG. 14