

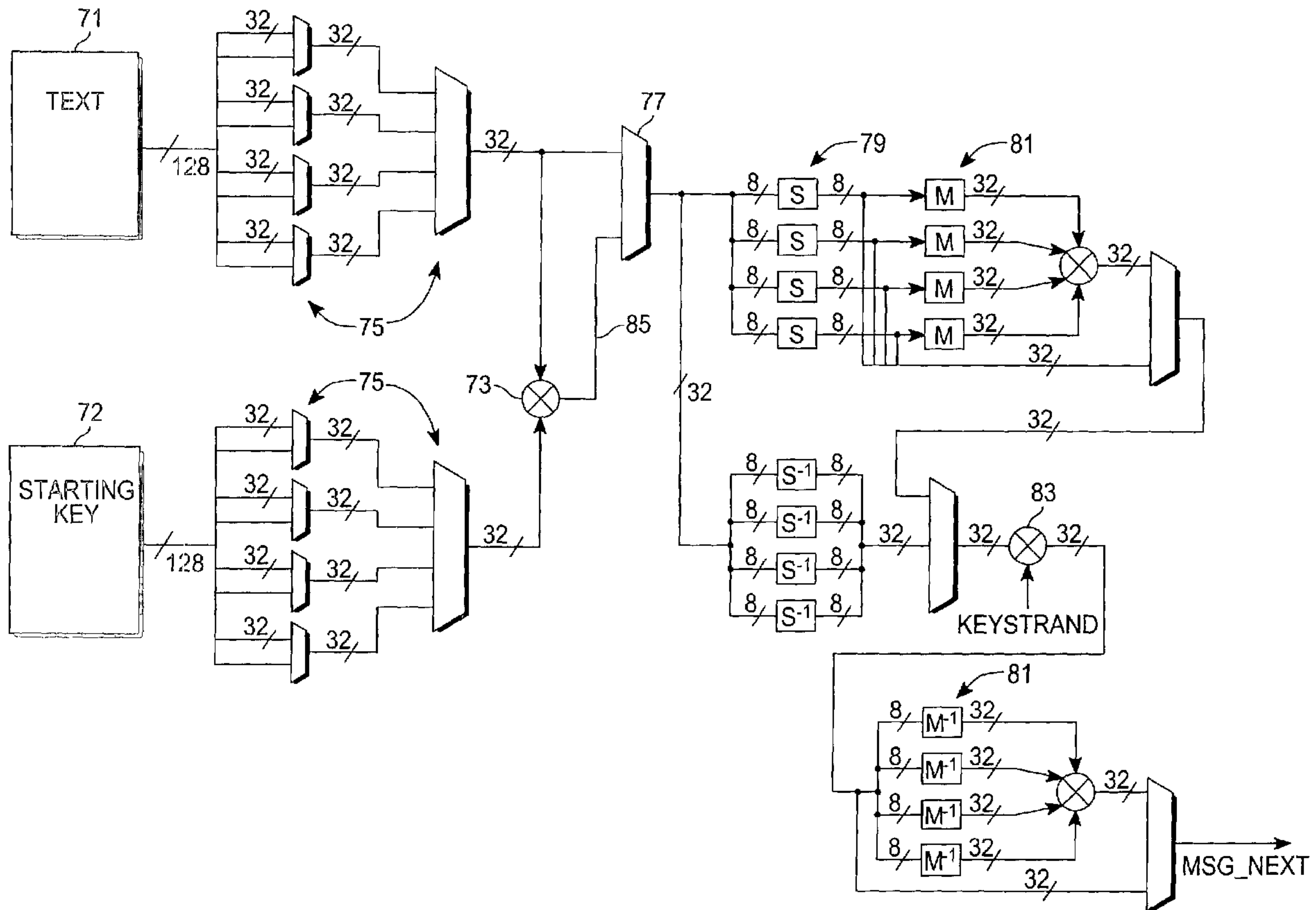


(86) Date de dépôt PCT/PCT Filing Date: 2003/05/23
 (87) Date publication PCT/PCT Publication Date: 2003/12/04
 (85) Entrée phase nationale/National Entry: 2004/11/19
 (86) N° demande PCT/PCT Application No.: US 2003/016326
 (87) N° publication PCT/PCT Publication No.: 2003/101020
 (30) Priorité/Priority: 2002/05/23 (60/383,252) US

(51) Cl.Int.⁷/Int.Cl.⁷ H04K 1/00, H04K 1/06, H04K 1/04,
H04L 9/00, H04K 3/00
 (71) Demandeur/Applicant:
ATMEL CORPORATION, US
 (72) Inventeur/Inventor:
SNELL, DORAIN L., US
 (74) Agent: BORDEN LADNER GERVAIS LLP

(54) Titre : MOTEUR CRYPTOGRAPHIQUE D'EQUIPEMENT TECHNIQUE BASE SUR LA NORME AVANCEE DE
CHIFFREMENT (AES)

(54) Title: ADVANCED ENCRYPTION STANDARD (AES) HARDWARE CRYPTOGRAPHIC ENGINE



(57) Abrégé/Abstract:

A cryptographic method and related implements the Rijndael - AES encryption standard. In one improvement, the decryption round keys ($w[i]$) are generated on a round by round basis from the final N_k round keys saved from a previous encryption key

(57) **Abrégé(suite)/Abstract(continued):**

scheduling operation. Latency and memory requirements are thereby minimized. S-boxes (41_0 to 41_3) for the AES key generation and cipher operation itself, may be implemented multiple times in different ways with different power signatures, with a pseudo-random selection (39_0 to 39_3 , 41_0 to 41_3) of the pathway for the different bytes to be substituted. The pre-mix operation (73) occurs simultaneously (72, 83) with the generation of first round keys, and a dummy circuit (Fig. 13) with substantially identical timing as the real pre-mix circuitry adds power consumption noise to the pre-mix.

(12) INTERNATIONAL APPLICATION PUBLISHED UNDER THE PATENT COOPERATION TREATY (PCT)

(19) World Intellectual Property Organization
International Bureau(43) International Publication Date
4 December 2003 (04.12.2003)

PCT

(10) International Publication Number
WO 03/101020 A1(51) International Patent Classification⁷: H04K 1/00,
1/04, 1/06, 3/00, H04L 9/00

(21) International Application Number: PCT/US03/16326

(22) International Filing Date: 23 May 2003 (23.05.2003)

(25) Filing Language: English

(26) Publication Language: English

(30) Priority Data:
60/383,252 23 May 2002 (23.05.2002) US(71) Applicant: ATMEL CORPORATION [US/US]; 2325
Orchard Parkway, San Jose, CA 95131 (US).(72) Inventor: SNELL, Dorain, L.; 285 Siver Spring Drive,
Colorado Spring, CO 80919 (US).(74) Agent: SCHNECK, Thomas; Law Offices of Thomas
Schneck, P.O. Box 2-E, San Jose, CA 95109-0005 (US).(81) Designated States (national): AE, AG, AL, AM, AT, AU,
AZ, BA, BB, BG, BR, BY, BZ, CA, CH, CN, CO, CR, CU,
CZ, DE, DK, DM, DZ, EC, EE, ES, FI, GB, GD, GE, GH,GM, HR, HU, ID, IL, IN, IS, JP, KE, KG, KP, KR, KZ, LC,
LK, LR, LS, LT, LU, LV, MA, MD, MG, MK, MN, MW,
MX, MZ, NI, NO, NZ, OM, PH, PL, PT, RO, RU, SD, SE,
SG, SK, SL, TJ, TM, TN, TR, TT, TZ, UA, UG, UZ, VN,
YU, ZA, ZM, ZW.(84) Designated States (regional): ARIPO patent (GH, GM,
KE, LS, MW, MZ, SD, SL, SZ, TZ, UG, ZM, ZW),
Eurasian patent (AM, AZ, BY, KG, KZ, MD, RU, TJ, TM),
European patent (AT, BE, BG, CH, CY, CZ, DE, DK, EE,
ES, FI, FR, GB, GR, HU, IE, IT, LU, MC, NL, PT, RO,
SE, SI, SK, TR), OAPI patent (BF, BJ, CF, CG, CI, CM,
GA, GN, GQ, GW, ML, MR, NE, SN, TD, TG).

Declarations under Rule 4.17:

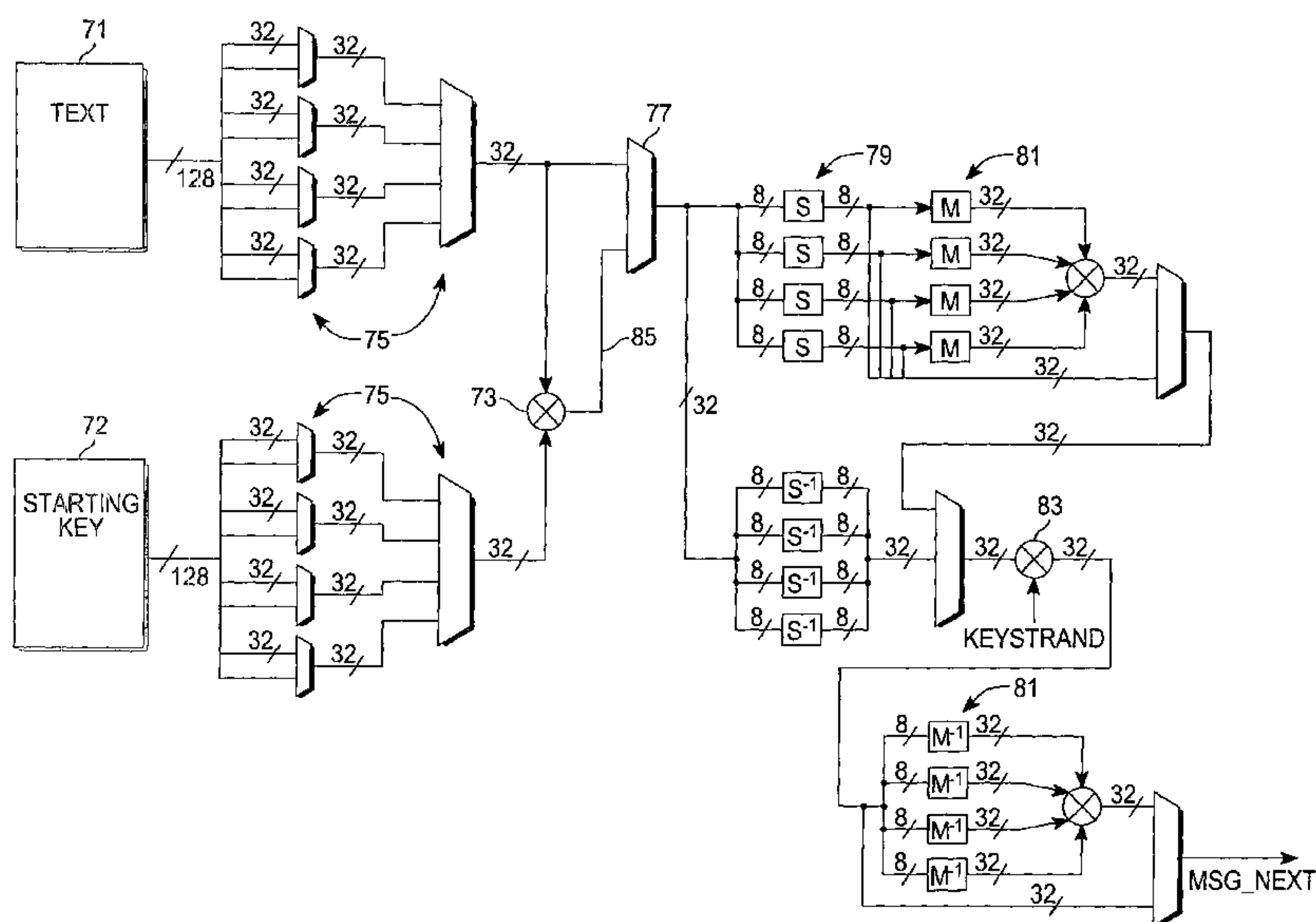
- as to applicant's entitlement to apply for and be granted a patent (Rule 4.17(ii)) for all designations
- as to the applicant's entitlement to claim the priority of the earlier application (Rule 4.17(iii)) for all designations

Published:

- with international search report
- with amended claims

For two-letter codes and other abbreviations, refer to the "Guidance Notes on Codes and Abbreviations" appearing at the beginning of each regular issue of the PCT Gazette.

(54) Title: ADVANCED ENCRYPTION STANDARD (AES) HARDWARE CRYPTOGRAPHIC ENGINE



(57) **Abstract:** A cryptographic method and related implements the Rijndael - AES encryption standard. In one improvement, the decryption round keys ($w[i]$) are generated on a round by round basis from the final N_k round keys saved from a previous encryption key scheduling operation. Latency and memory requirements are thereby minimized. S-boxes (41_0 to 41_3) for the AES key generation and cipher operation itself, may be implemented multiple times in different ways with different power signatures, with a pseudo-random selection (39_0 to 39_3 , 41_0 to 41_3) of the pathway for the different bytes to be substituted. The premix operation (73) occurs simultaneously (72, 83) with the generation of first round keys, and a dummy circuit (Fig. 13) with substantially identical timing as the real premix circuitry adds power consumption noise to the premix.

WO 03/101020 A1

Description

ADVANCED ENCRYPTION STANDARD (AES)
HARDWARE CRYPTOGRAPHIC ENGINE

5

TECHNICAL FIELD

The present invention relates to cryptographic methods and apparatus, and especially to the particular symmetric key block cipher algorithm known as Rijndael or AES and its associated hardware or software implementations. The invention relates in particular to round key generation for that algorithm in both the encryption and decryption directions, and also to techniques for thwarting differential power analysis attacks upon the implementing hardware or software in an attempt to discover the cipher key.

10

15

BACKGROUND ART

The U.S. Department of Commerce, National Institute of Standards and Technology (NIST) has adopted a subset of the Rijndael symmetric key block cipher algorithm for its Advanced Encryption Standard (AES), as specified in "Federal Information Processing Standards Publication 197" (FIPS 197), of November 26, 2001. The AES algorithm uses cryptographic keys of 128, 192 and 256 bits to encrypt and decrypt data in blocks of 128 bits. The Rijndael algorithm is also capable of handling 192 and 256 bit blocks and supports extensions to certain intermediate or potentially larger key lengths and block sizes, with operations defined between any of its key lengths and block sizes.

20

25

30

The algorithm iterates a number of nearly identical rounds depending on key length and block size. AES128 uses 10 rounds, AES192 uses 12 rounds and AES256 uses 14 rounds to complete an encryption or decryption operation. More generally, for a key length of N_k 32-bit words and a block size of N_b 32-bit words, the number of rounds, N_r , for the Rijndael algorithm is presently specified as: $N_r = \max(N_k, N_b) + 6$.

The invention described herein is applicable to any of the Rijndael key lengths and block sizes, including the 128-bit block size specified for AES, and is also applicable to any mode of operation. The remainder of the patent specification will refer to the preferred AES embodiment, with the understanding that extension to any of the other Rijndael block sizes is also implied.

NIST Special Publication 800-38A, "Recommendation for Block Cipher Modes of Operation: Methods and Techniques", by Morris Dworkin (December 2001) specifies five confidentiality modes of operation approved by NIST for use in conjunction with any underlying symmetric key block cipher algorithm, such as AES. Other possible modes of operation are also under consideration for NIST approval. The invention described herein is applicable to any of the modes of operation.

In AES, three main steps occur during each round: (a) the text block is modified, (b) the round key is generated, and (c) the modified text block and the round key are added together using an XOR operation to provide the starting text block for the next round. With two exceptions, the text block is modified the same way in each round (S-box substitution, row shifting, column mixing). The first exception is a pre key mix operation (round 0) in which the plaintext message blocks are bitwise XORed with an initial round key filled with the first N_b words from the cipher key itself. ($N_b=4$ for

AES) This pre key mix operation provides the starting text for round 1. The second exception occurs in the final round, in which the column mixing operation is omitted. The details of the S-box substitution, row shifting and column mixing operations for the rounds are described in the aforementioned FIPS 197 document.

The set of round keys (key schedule) is generated from the initial cipher key using a key expansion routine. In AES, the length of the round keys is always the same as the block size (128 bits = 4 words) regardless of the length (128, 192 or 256 bits) of the original cipher key. The words of the cipher key are used in the early rounds while they last; then each successive round key word is a function of the preceding round key words. The calculation of the round keys by the key expansion routine is slightly different for each cipher key length, in that, while the same basic steps (S-box substitution, byte rotation, and XOR with a round constant) are used in each case, they occur with different frequencies for the different key lengths.

For a straightforward way of doing decryption, the individual cipher transformations can be inverted and implemented in reverse order from encryption. The form of the key schedules for the encryption and decryption operations remains the same, but are applied in reverse order. Thus, the first round key for decryption is the same as the last round key from the encryption, the second decryption round key is the same as the next-to-last round key from the encryption, etc.

One common approach to key scheduling is to pre-calculate in advance all of the round keys needed for a communication session, and then to save them as a key table in memory to be retrieved as needed for each round. This approach has a large initial latency period while the set of round keys are computed, but has faster subsequent execution of the cryptographic rounds.

Moreover, decryption rounds in this case are as fast as the encryption rounds. However, this approach assumes that there is sufficient memory capacity available to store the entire key schedule, and that the initial
5 latency period is tolerable.

Another approach used in some hardware systems involves "on-the-fly" key scheduling, in which round keys are generated as needed on a round-by-round basis.

Because this approach does not pre-process the entire key
10 schedule, the initial latency period is avoided, at least in the forward cipher direction (encryption), and memory requirements for the round keys are substantially reduced. This is especially useful for devices that only need to do encryption and which have memory and
15 processing limitations. However, in the reverse cipher direction (decryption), the round keys are needed in reverse. That is, the first round key for decryption is the same as the last round key from the encryption.

Moreover, the round keys are functions of the preceding
20 round keys. Existing "on-the-fly" key expansion methods have large latencies in the decryption direction, especially in the early decryption rounds, since for each round the "on-the-fly" key generator must recompute all the preceding round keys until the round key for the
25 current decryption round is reached. If possible, an improved key generation routine is needed for the reverse direction that eliminates this latency.

When ciphers, like AES, are employed in real-
world applications, they must first be implemented in
30 hardware or software. An attacker may choose to exploit some weakness of the implementation, rather than trying to find a mathematical weakness in the cipher itself. This may be done through external monitoring of a cryptographic system during its operation to obtain
35 information leaked about the internal operations that could be useful in determining the cipher key. Examples

of implementation attacks of cryptographic systems include timing and power analysis attacks that exploit any key-dependent variations in the execution time or power consumption pattern. Known countermeasures to various implementation attacks generally include: tamper resistant chip packaging, physical shielding to block signal emissions, filtering of inputs and outputs, computational techniques to equalize or randomize timing of operations, making the instruction sequence independent of the cipher key or change from one execution to the next, and adding hardware noise to the power consumption pattern. For example, U.S. Pat. No. 6,327,661 to Kocher et al. describe countermeasures which incorporate unpredictable (random or pseudo-random) information into the cryptographic processing. Note, however, that not all of these possible defenses are applicable in every situation. For example, processing and memory constraints of smart cards with built-in cryptographic engines limit which of the many available countermeasures can be used. Additional implementation countermeasures are desired for smart cards and other processor or memory limited applications, particularly during the most vulnerable period when the plaintext is first processed.

Encryption and decryption are necessarily time consuming operations. The many transpositions and substitutions of data bits, bytes and words needed to transform plaintext blocks into ciphertext, and vice versa, require time to process. As block sizes and the number of rounds increases, the problem would tend to get worse, but for the corresponding increase in processing power of the hardware. Any time savings that could be taken advantage of in a given implementation would be advantageous, provided security is not compromised.

An object of the present invention is to provide a on-the-fly key scheduling method and associated

hardware or software that can efficiently generate AES/Rijndael round keys in the reverse (decryption) direction.

Another object of the present invention is to provide a hardware implementation of the AES/Rijndael cipher that provides a countermeasure to power analysis attacks during the early stages of encryption, especially during the pre-key-mix stage (round 0) of the cipher.

Yet another object of the invention is to provide an AES/Rijndael implementation that reduces the number of total clock cycles required to process the cipher.

DISCLOSURE OF THE INVENTION

The above objects are met by a method for a key generator to generate AES round-key words $w[i]$ "on-the-fly" in a reverse direction as needed on a round-by-round basis for use in a decrypt operation of the cipher algorithm. Preferably, the key generator is implemented as a hardware circuit, but it would also be implemented in software if desired. The reverse key generation is achieved by providing memory for storing a final set of N_k round-key words derived during an encrypt operation's key expansion in the forward direction. When the key generator circuit is then set for a decrypt operation, it derives preceding round-key words $w[i-N_k]$ "on-the-fly" by an XOR logic operation involving stored round-key words $w[i]$ and $w[i-1]$, wherein $w[i-1]$ is first modified by a transformation sequence prior to applying the XOR logic operation whenever $i \bmod N_k = 0$ and also whenever both $N_k > 6$ and $i \bmod N_k = 4$. The transformation sequence upon $w[i-1]$ is identical in the forward and reverse directions of the key expansion routine. The transformation sequence involves a cyclic byte shift, an S-box byte substitution and an XOR operation with a round constant whenever $i \bmod N_k = 0$. The transformation sequence

involves only an S-box byte substitution when $N_k > 6$ and $i \bmod N_k = 4$.

The objects of the invention are also met by a pre-mix dummy circuit that inserts pseudo-random noise into the overall power signature of the hardware block cipher circuit during an initial pre-mix XOR operation of the block cipher algorithm. This differential power analysis countermeasure hides the power signature from all XOR gate switching as plaintext is mixed with the cipher key prior to the first cipher encryption round. The pre-mix dummy circuit is active only during this initial pre-mix XOR operation and is characterized by a propagation delay that substantially matches that of the pre-mix subcircuit. The dummy circuit includes a pseudo-random generator and an XOR array. The pseudo-random generator may be, for example, a set of linear feedback shift registers. The XOR array has first inputs connected to outputs of the pseudo-random generator. Second inputs of the XOR array are connected to receive the same cipher key bits as said pre-mix subcircuit. Outputs of the XOR array feed back to the pseudo-random generator. The pseudo-random generator and XOR array of the dummy circuit may have a word width in bits identical to that of the pre-mix subcircuit.

The objects of the invention are also met, in a hardware block cipher circuit configured to perform a cipher algorithm having an initial pre-mix XOR operation that mixes plaintext with a cipher key prior to beginning a sequence of cipher encryption rounds to generate a ciphertext, by a method that combines the pre-mix operation with the first cipher encryption round, thereby reducing the number of clock cycles required to process the cipher algorithm by one round. This method pre-processes the cipher key to generate round-key words for the first cipher encryption round while plaintext is loaded. The pre-mix XOR operation also occurs as

plaintext is being loaded. The first cipher encryption round is executed upon the loaded pre-mixed plaintext using the pre-generated first round-key words.

5 BRIEF DESCRIPTION OF THE DRAWINGS

Fig. 1 is a table of S-box substitution values for input byte xy specified for the AES/Rijndael encryption cipher.

10 Fig. 2 is a table of XOR operation results for a pair of hexadecimal operands.

Fig. 3 is a table showing a key expansion example of the prior art taken from FIPS-197 for a 128-bit cipher key in the encryption direction.

15 Fig. 4 is a table showing a key expansion example implemented by the present invention for the same 128-bit cipher key as in Fig. 3, but in the reverse (decryption) direction.

20 Fig. 5 is a table showing a key expansion example of the prior art taken from FIPS-197 for a 192-bit cipher key in the encryption direction.

Fig. 6 is a table showing a key expansion example implemented by the present invention for the same 192-bit cipher key as in Fig. 5, but in the reverse (decryption) direction.

25 Fig. 7 is a table showing a key expansion example of the prior art taken from FIPS-197 for a 256-bit cipher key in the encryption direction.

30 Fig. 8 is a table showing a key expansion example implemented by the present invention for the same 256-bit cipher key as in Fig. 6, but in the reverse (decryption) direction.

Figs. 9A and 9B are a schematic block diagram of key generator hardware for the present invention.

35 Fig. 10 is a schematic block diagram of the round key transformation hardware for the key generator of Figs. 9A and 9B.

Fig. 11 is an alternative embodiment of the S-box hardware for the round key transformation sequence, wherein the same S-box function is implemented in four distinct ways with different power consumption patterns, with variable paths through the four S-boxes controlled by a random number generator (LFSR).

Fig. 12 is a look-up table for use in the control path of the embodiment of Fig. 11 for converting any of 256 random number inputs into 24 path permutation selections.

Fig. 13 is a schematic block diagram of a dummy circuit for introducing random power consumption noise during the AES premix (round 0) operation as a countermeasure in a hardware implementation of the present invention.

Fig. 14 is a schematic block diagram of the data and cipher key input paths illustrating operation of a premix operation coinciding with on-the-fly key scheduling for the first round.

Fig. 15 is a flow diagram for the coincident premix/key scheduling operation carried out with Fig. 14.

BEST MODE OF CARRYING OUT THE INVENTION

The present invention is preferably implemented in hardware circuitry, as an cryptographic engine for a microcontroller or other system circuitry, for example for a smart card. This cryptographic engine may be an application-specific integrated circuit (ASIC) designed to carry out the AES operations, or may be more general purpose processing hardware programmed with firmware to carry out the AES operations. It normally shares the memory with the larger system circuitry. It could also be implemented in software.

The AES/Rijndael algorithm performs a key expansion routine upon a cipher key to generate a key schedule. The key expansion generates a total of

Nb(Nr + 1) words, where the block size Nb = 4 for the AES standard, but may be different for other Rijndael implementations, and where the number of rounds, Nr, is presently specified as $\lceil \max(Nk, Nb) + 6 \rceil$, with Nk being the cipher key size in 32-bit (4-byte) words. The round keys consist of Nb words each, and the resulting key schedule is a linear array of words, denoted $[w_i]$, with i in the range $0 \leq i \leq Nb(Nr + 1)$. For encryption, the round key words are needed in the forward direction from $i = 0$ to $Nb(Nr + 1)$. However, for decryption, the round key words are needed in the reverse direction beginning with $i = Nb(Nr + 1)$.

Pseudo-code for the forward key expansion is given in FIPS-197 as follows:

```

15 KeyExpansion (byte key[4*Nk], word w[Nb*(Nr+1)], Nk)
   begin
   word temp

20   i = 0
   while (i < Nk)
     w[i] = word(key[4*i], key[4*i+1], key[4*i+2], key[4*i+3])
     i = i + 1
   end while

25   i = Nk
   while (i < Nb*(Nr+1))
     temp = w[i-1]
     if (i mod Nk = 0)
       temp = SubWord(RotWord(temp)) xor Rcon[i/Nk]
30     else if (Nk > 6 and i mod Nk = 4)
       temp = SubWord(temp)
     end if
     w[i] = w[i-Nk] xor temp
     i = i + 1

35   end while

   end

```

SubWord() is a function that takes a four-byte input word and applies the S-box table (shown in Fig. 1) to each of the four bytes to produce an output word. The bytes are represented by pairs xy of four-bit hexadecimal values 0 to f. Each pair xy generates an output pair
 5 from the S-box table. For example, the byte {53} would be replaced by the substitution byte {ed}. The AES standard (FIPS-197) also specifies an inverse S-box for use with the inverse cipher. An advantage of the present
 10 key scheduling invention is that the round keys can be generated in reverse without needing the inverse S-box, but using the same S-box as in the forward direction.

The function RotWord() takes a word $[a_0, a_1, a_2, a_3]$ as input, performs a cyclic permutation, and
 15 returns the word $[a_1, a_2, a_3, a_0]$.

The round constant word array, Rcon[i], contains the values given by $[x^{i-1}, \{00\}, \{00\}, \{00\}]$, where $x = \{02\}$, x^{i-1} are powers of x in the finite field $GF(2^8)$ with modular reduction by the irreducible polynomial of
 20 degree 8: $m(x) = x^8 + x^4 + x^3 + x + 1 = \{01\}\{1b\}$. (The modular reduction by $m(x)$ ensures that the result can be represented by a byte.) For reference, the first ten round constants (beginning with $i = 1$) are as follows:

i	Rcon[i]
1	01000000
2	02000000
3	04000000
4	08000000
5	10000000
6	20000000
7	40000000
8	80000000
9	1b000000
10	36000000

The XOR (exclusive OR) function table for hexadecimal values 0 through f is shown in Fig. 2 for convenience. Note that the XOR function is a bitwise operation (equivalent to addition modulo 2). For two bytes $\{a_7a_6a_5a_4a_3a_2a_1a_0\}$ and $\{b_7b_6b_5b_4b_3b_2b_1b_0\}$, the sum is $\{c_7c_6c_5c_4c_3c_2c_1c_0\}$, where each $c_i = a_i \text{ XOR } b_i$. These bytes can be represented in hexadecimal notation by a pair of hexadecimal values. It should be noted that the reverse key expansion routine of the present invention takes advantage of a property of the XOR function, namely that $c_i = a_i \text{ XOR } b_i$ if and only if $a_i = c_i \text{ XOR } b_i$.

From the pseudo-code given above, it can be seen that the forward key expansion routine begins by filling the first Nk words of the expanded key with the cipher key. Every following word, $w[i]$, is equal to the XOR of the previous word, $w[i-1]$, and the word which is Nk positions earlier, $w[i-Nk]$. For words in positions that are a multiple of Nk (i.e., for which $i \bmod Nk = 0$), a transformation sequence is applied to $w[i-1]$ prior to the XOR with $w[i-Nk]$. This transformation sequence consists of a cyclic shift of the bytes in the word (i.e., the `RotWord()` function), followed by the application of an S-box table lookup to all four bytes of the word (i.e., the `SubWord()` function), followed by an XOR with the round constant for that word, $Rcon[i/Nk]$. Additionally, for 256-bit cipher keys ($Nk = 8$) or other large cipher keys ($Nk > 6$) in the Rijndael cipher algorithm, if $i-4$ is a multiple of Nk (i.e., when $i \bmod Nk = 4$), then the S-box lookup function, `SubWord()`, is applied to $w[i-1]$ prior to the XOR with $w[i-Nk]$.

Figs. 3, 5 and 7 give examples of the forward key expansion routine for respective 128-bit, 192-bit and 256-bit cipher keys.

The reverse key expansion method of the present invention generates round keys "on-the-fly", i.e., as

needed on a round-by-round basis, in the reverse direction. Pseudo-code for the reverse key expansion is as follows:

```

5  ReverseKeyExpansion (word w[Nb*(Nr+1)], Nk)
   begin
   word temp

   i = Nb*(Nr+1) - 1
10  while (i ≥ Nk)
   temp = w[i-1]
   if (i mod Nk = 0)
   temp = SubWord(RotWord(temp)) xor Rcon[i/Nk]
   else if (Nk > 6 and i mod Nk = 4)
15  temp = SubWord (temp)
   end if
   w[i-Nk] = w[i] xor temp
   i = i - 1
   end while

20  end

```

The reverse key expansion routine requires that the final Nk words of the round keys from a previous forward expansion be saved in memory. In reverse order, these final round key words are the first round key words for use in the equivalent inverse cipher. Every subsequent word, w[i-Nk], generated in reverse (i.e., with decreasing i), is equal to the XOR of the word, w[i], which is Nk positions earlier and its adjacent word, w[i-1], which may be suitably modified by a transformation sequence. The conditions for applying the transformation sequence, and indeed the transformation sequence itself, is the same as in the forward key expansion. The functions SubWord(), RotWord() and XOR, and the round constant word array, Rcon[i], are exactly

the same as those described above for the forward key expansion. For words in positions that are multiples of N_k (i.e., for which $i \bmod N_k = 0$), the transformation sequence applied to $w[i-1]$ consists of a cyclic shift of the bytes (i.e., the `RotWord()` function), followed by application of the S-box table lookup to all four bytes of the word (i.e., the `SubWord()` function), followed by an XOR with the corresponding round key, `Rcon[i/Nk]`. Also, for 256-bit cipher keys ($N_k = 8$) or other large cipher keys ($N_k > 6$) in the Rijndael inverse cipher, if $i-4$ is a multiple of N_k (i.e., when $i \bmod N_k = 4$), then the S-box lookup function, `SubWord()`, is applied to $w[i-1]$ prior to the XOR with $w[i]$ that generates $w[i-N_k]$.

Figs. 4, 6 and 8 give examples of the reverse key expansion routine for the same 128-bit, 192-bit and 256-bit cipher keys from the forward key expansion examples of Figs. 3, 5 and 7, respectively. Comparing Figs. 3 and 4, we can see that the same 44 round key words, $w[0]$ to $w[43]$, needed for the round 0 premix and the subsequent 10 rounds in AES are generated (4 round key words are used per round, since the AES block size, N_b , is 4 32-bit words or 256 bits.) In the forward direction, the expansion begins with the 4 cipher key words, $w[0]$ through $w[3]$. In the reverse direction, the final 4 words, $w[40]$ to $w[43]$, obtained previously from a forward key expansion and saved in memory are used to derive the other round key words $w[39]$ to $w[0]$ in reverse order. In each direction, the identical transformation sequence is applied to $w[i-1]$ every 4 words, i.e., when i is a multiple of 4 ($= N_k$). A comparison of rows in Figs. 3 and 4 with the same value of i , verifies that the transformation sequence in the reverse direction (Fig. 4) is the same as that applied in the forward key expansion direction (Fig. 3). The difference in the forward and reverse key expansions is seen in the final two columns of words. The symmetry of the XOR operation is apparent

as those final two columns are reversed in the two directions, with $w[i-Nk]$ being used to generate $w[i]$ in the forward direction (Fig. 3), but with $w[i]$ being used to generate $w[i-Nk]$ in the reverse direction (Fig. 4).

5 Similarly, a comparison of Figs. 5 and 6 for the same exemplary 192-bit cipher key shows that the reverse key expansion generates the same 52 round key words as the forward key expansion, for the round-0 premix and 12 cipher rounds and for the equivalent inverse cipher

10 rounds in reverse. Similarly, Figs. 7 and 8 verify that the reverse key expansion correctly generates the 60 round key words in the reverse direction using the 8 saved words obtained from the forward expansion. Note also, that the same `SubWord()` transformation is used in

15 the reverse direction. An inverse S-box table is neither used nor needed for the reverse key expansion of the present invention.

With reference to Figs. 9A and 9B, the key schedule circuitry includes a plurality of input

20 registers 11_0 to 11_7 storing Nk words (here up to 8 in number). For forward encryption these are the first Nk words of the cipher key. For reverse encryption, these registers are loaded with the last Nk round words from a prior encryption round, which have been stored in system

25 memory. The input registers 11_0 to 11_7 feed these initial word values through select multiplexers 13_0 to 13_7 to round key registers 15_0 to 15_7 , which store the loaded words. The outputs of the round key registers 15_0 to 15_7 are designated $rk1$ through $rk4$ and $rk1b$ through $rk4b$.

30 These outputs are iterated back through the multiplexers 13_0 to 13_7 and are also input into a pair of multiplexers 17 and 18 for processing. Multiplexer 17 receives the word $w[i-1]$ that is to be operated upon by the transformation sequence, if appropriate for the index i ,

35 while multiplexer 18 receives either $w[i - Nk]$ for the forward key expansion direction or $w[i]$ for the reverse

key expansion direction. After passing through transformation circuitry 19 or bypassing it along word bus 20, as selected by multiplexer 21, the two words are input into an XOR gate 23, the result, keystrand-next, of which becomes the next round key word, which updates the round key register 15₀.

Fig. 10 shows a transformation circuit 19 for applying the transformation sequence to the round key words $w[i-1]$, when appropriate. The word $w[i-1]$ selected by multiplexer 17 is input as keycloud [31:0] and split and rotated by the 4-by-4 byte multiplexer 25. Each byte is then input into one of the S-boxes 27₀ to 27₄, which can be implemented as look-up tables or as a sea of gates. Each S-box outputs a byte result. An round constant XOR circuit 29 receives the first byte of the transformed word and adds the particular round constant corresponding to i/N_k . The circuit 29 receives both the index byte $i[3:0]$ and the keysize [1:0] indication (e.g., 00 for 128-bit keys, 01 for 192-bit keys, and 10 for 256 keys) in order to produce the correct round key constant. The transformed word is recombined by multiplexer 31. For $N_k = 8$, an alternate path from the S-boxes 27₀ to 27₄ skips the round constant add block and restores the bytes to the correct un-rotated order for the cases when $i \bmod 8 = 4$. This alternate path combines the transformed word (temp) with multiplexer 32. The untransformed word $w[i-1]$ bypasses the transformation along path 33. The correct temp word is selected by multiplexer 35.

With reference to Fig. 11, one countermeasure to thwart power analysis attacks upon the key scheduler circuitry is seen, wherein a set of different types of S-box implementations are used. For example, the functionality can be done using an SRAM, a ROM, a cloud circuit, and a calculating circuit, all with different power signatures. For 4 S-boxes, there are $4! = 24$

different permutations. By randomly changing the order
the bytes take through the different boxes, the power
signature has 24 different forms it can take. In Fig.
11, a word input 37 is split into bytes that are fed into
5 the different S-boxes 41₀ to 41₃. These are then
recombined to produce the S-box transformed output word
45. A set of byte select multiplexers 39₀ to 39₃ and
their complementary set 43₀ to 43₃ are controlled by a
random generator 47 and select control signal generator
10 49 to produce the selected path permutation and the word
restoring inverse permutation. The random generator 47
may be a linear feedback shift register with some
selected polynomial set that governs the generation. The
select control signal generator 49 operates according to
15 the table shown in Fig. 12. For each 9-bit range of LFSR
output from random generator 47, a particular one of the
24 possible path permutations is selected, and the
corresponding select SEL and inverse select SEL⁻¹ control
signals is output. Other path permutations could be
20 implemented instead by changing the function table of
select control signal generator 49, or additionally
changing the size or specific pseudo-random function of
the LFSR or other random generator 47. The control
signal generator 49 may be implemented as a look-up
25 table.

With reference to Fig. 13, another power and
timing analysis countermeasure is a dummy circuit that
introduces power noise during the premix (round 0)
operation. This dummy circuit matches the propagation
30 delay to the initial XOR premix array and inserts pseudo-
random noise generated by a set of random generators,
preferably linear feedback shift registers 51 and 53.
The multiplexer elements 55-57 match the delay of
corresponding elements of the real input circuitry. The
35 output from the word-wide XOR array 59 is not used in the
cryptographic processing of the real plaintext, but is

feedback to the inputs of the random generators 51 and 53. It matches the properties of the real XOR array (also word-wide), but has different inputs due to the random generation. The random generators also receive the plaintext input, word by word, in order that the dummy signal may bear some relation to the plaintext (but no relation at all to the cipher key), making filtering out of the dummy signature more difficult.

With reference to Figs. 14 and 15, the premix operation combining the plaintext blocks with the cipher key prior to the first round can be performed even while round key words for the first cipher round are generated. A 128-bit plaintext block is received at an input buffer 71. The first 128-bits of the cipher key are likewise received at an input buffer 72. These block size units are processed into 32-bit words and then shifted into the premix XOR array 73 using multiplexers 75. For the last round (or first round for decryption), the key mix operation is skipped, as selected by multiplexer 77 controlled by a state machine programmed in accord with the AES algorithm specification. The AES round 1 then proceeds with S-box transformations 79, column mixing operations 81 and key XOR operations 83 using the round keys. Subsequent rounds receive the transformed words of the block from a previous round at input 84. The key strand for the key XOR operation upon a transformed word comes from the afore-described key scheduler. The key scheduling operation is such, that the first round keys are generated (prestepkey_1 through prestepkey_4 in Fig. 15) during the round 0 premix operation (preround1), so that subsequent rounds, including the first round, have the round key words already available to them without needing to wait.

-19-

Claims

What is claimed is:

- 5 1. In a key generator configured to perform a key expansion routine according to the Advanced Encryption Standard (AES) - Rijndael block cipher algorithm so as to generate, from a given cipher key of N_k words, a key schedule of $N_b(N_r+1)$ round-key words $w[i]$, where N_b is
10 the cipher block size in words and N_r is the number of rounds employed by the cipher algorithm, the key generator configured to generate the round-key words $w[i]$ "on-the-fly" as needed on a round-by-round basis, the improvement comprising a method for generating round-key
15 words "on-the-fly" in a reverse direction for use in a decrypt operation of the cipher algorithm, the method including the steps of:
- providing memory for storing a final set of N_k round-key words;
 - 20 performing the key expansion routine in a forward direction during an encrypt operation to obtain said final set of N_k round-key words and storing the same in said memory provided therefor;
 - setting the key generator for the decrypt
25 operation; and
 - deriving preceding round-key words $w[i-N_k]$ "on-the-fly" by an XOR logic operation involving stored round-key words $w[i]$ and $w[i-1]$, wherein $w[i-1]$ is first modified by a transformation sequence prior to applying
30 the XOR logic operation whenever $i \bmod N_k = 0$ and also whenever both $N_k > 6$ and $i \bmod N_k = 4$, the transformation sequence involving a cyclic byte shift, an S-box byte substitution and an XOR operation with a round constant when $i \bmod N_k = 0$, the transformation sequence involving
35 only an S-box byte substitution when $N_k > 6$ and $i \bmod N_k = 4$, said transformation sequence upon $w[i-1]$ being

AMENDED SHEET

-20-

identical in the forward and reverse directions of the key expansion routine and in accord with the AES - Rijndael block cipher algorithm.

- 5 2. The key generation method of claim 1 wherein the key generator is implemented as a hardware circuit.
3. The key generation method of claim 2 wherein multiple S-boxes are provided to carry out the S-box byte
10 substitutions, each S-box having the same functionality, as specified for AES - Rijndael, but with different hardware implementations characterized by different power consumption signatures, and wherein a pseudo-random
15 generator selects variable pathways to the different S-boxes for the various bytes to be substituted in the key expansion routine.
4. The key generation method of claim 3 wherein the pseudo-random generator is a linear feedback shift
20 register providing an n-bit pseudo-random output and a look-up table addressed by the pseudo-random output and providing pathway selection control signals corresponding to the pseudo-random output.
- 25 5. Cancel
6. Cancel
7. Cancel
- 30 8. In a hardware block cipher circuit configured to perform a cipher algorithm having an initial pre-mix XOR operation that mixes plaintext with a cipher key prior to beginning a sequence of cipher encryption rounds to
35 generate a ciphertext, the improvement comprising a method that combines the pre-mix operation with the first

FOI b6 b7C b7E b7F b7G b7H b7I b7J b7K b7L b7M b7N b7O b7P b7Q b7R b7S b7T b7U b7V b7W b7X b7Y b7Z

-21-

cipher encryption round, the method including the steps of:

pre-processing the cipher key to generate round-key words for the first cipher encryption round while plaintext is loaded, the pre-mix XOR operation also occurring as plaintext is being loaded; and

executing the first cipher encryption round upon the loaded pre-mixed plaintext using the pre-generated first round-key words.

S-box	y															
	0	1	2	3	4	5	6	7	8	9	a	b	c	d	e	f
0	63	7c	77	7b	f2	6b	6f	c5	30	01	67	2b	fe	d7	ab	76
1	ca	82	c9	7d	fa	59	47	f0	ad	d4	a2	af	9c	a4	72	c0
2	b7	fd	93	26	36	3f	f7	cc	34	a5	e5	f1	71	d8	31	15
3	04	c7	23	c3	18	96	05	9a	07	12	80	e2	eb	27	b2	75
4	09	83	2c	1a	1b	6e	5a	a0	52	3b	d6	b3	29	e3	2f	84
5	53	d1	00	ed	20	fc	b1	5b	6a	cb	be	39	4a	4c	58	cf
6	d0	ef	aa	fb	43	4d	33	85	45	f9	02	7f	50	3c	9f	a8
7	51	a3	40	8f	92	9d	38	f5	bc	b6	da	21	10	ff	f3	d2
8	cd	0c	13	ec	5f	97	44	17	c4	a7	7e	3d	64	5d	19	73
9	60	81	4f	dc	22	2a	90	88	46	ee	b8	14	de	5e	0b	db
a	e0	32	3a	0a	49	06	24	5c	c2	d3	ac	62	91	95	e4	79
b	e7	c8	37	6d	8d	d5	4e	a9	6c	56	f4	ea	65	7a	ae	08
c	ba	78	25	2e	1c	a6	b4	c6	e8	dd	74	1f	4b	bd	8b	8a
d	70	3e	b5	66	48	03	f6	0e	61	35	57	b9	86	c1	1d	9e
e	e1	f8	98	11	69	d9	8e	94	9b	1e	87	e9	ce	55	28	df
f	8c	a1	89	0d	bf	e6	42	68	41	99	2d	0f	b0	54	bb	16

FIG. 1 (Prior Art)

XOR	0	1	2	3	4	5	6	7	8	9	a	b	c	d	e	f
0	0	1	2	3	4	5	6	7	8	9	a	b	c	d	e	f
1	1	0	3	2	5	4	7	6	9	8	b	a	d	c	f	e
2	2	3	0	1	6	7	4	5	a	b	8	9	e	f	c	d
3	3	2	1	0	7	6	5	4	b	a	9	8	f	e	d	c
4	4	5	6	7	0	1	2	3	c	d	e	f	8	9	a	b
5	5	4	7	6	1	0	3	2	d	c	f	e	9	8	b	a
6	6	7	4	5	2	3	0	1	e	f	c	d	a	b	8	9
7	7	6	5	4	3	2	1	0	f	e	d	c	b	a	9	8
8	8	9	a	b	c	d	e	f	0	1	2	3	4	5	6	7
9	9	8	b	a	d	c	f	e	1	0	3	2	5	4	7	6
a	a	b	8	9	e	f	c	d	2	3	0	1	6	7	4	5
b	b	a	9	8	f	e	d	c	3	2	1	0	7	6	5	4
c	c	d	e	f	8	9	a	b	4	5	6	7	0	1	2	3
d	d	c	f	e	9	8	b	a	5	4	7	6	1	0	3	2
e	e	f	c	d	a	b	8	9	6	7	4	5	2	3	0	1
f	f	e	d	c	b	a	9	8	7	6	5	4	3	2	1	0

FIG. 2 (Prior Art)

Cipher Key = 2b 7e 15 16 28 ae d2 a6 ab f7 15 88 09 cf 4f 3c $w_3 = 09cf4f3c$
 $w_0 = 2b7e1516$ $w_1 = 28aed2a6$ $w_2 = abf71588$

i	temp = $w[i - 1]$	temp after RotWord()	temp after SubWord()	Rcon[i/Nk]	Temp after XOR with Rcon	$w[i - Nk]$	$w[i] =$ temp XOR $w[i - Nk]$
4	09cf4f3c	cf4f3c09	8a84eb01	01000000	8b84eb01	2b7e1516	a0fafe17
5	a0fafe17					28aed2a6	88542cb1
6	88542cb1					abf71588	23a33939
7	23a33939					09cf4f3c	2a6c7605
8	2a6c7605	6c76052a	50386be5	02000000	52386be5	a0fafe17	f2c295f2
9	f2c295f2					88542cb1	7a96b943
10	7a96b943					23a33939	5935807a
11	5935807a					2a6c7605	7359f67f
12	7359f67f	59f67f73	cb42d28f	04000000	cf42d28f	f2c295f2	3d80477d
13	3d80477d					7a96b943	4716fe3e
14	4716fe3e					5935807a	1e237e44
15	1e237e44					7359f67f	6d7a883b
16	6d7a883b	7a883b6d	dac4e23c	08000000	d2c4e23c	3d80477d	ef44a541
17	ef44a541					4716fe3e	a8525b7f
18	a8525b7f					1e237e44	b671253b

Fig. 3A (Prior Art)

Fig. 3

Fig. 3A (Prior Art)
Fig. 3B (Prior Art)

4/24

19	b671253b							6d7a883b	db0bad00
20	db0bad00	0bad00db	2b9563b9	10000000	3b9563b9			ef44a541	d4d1c6f8
21	d4d1c6f8							a8525b7f	7c839d87
22	7c839d87							b671253b	caf2b8bc
23	caf2b8bc							db0bad00	11f915bc
24	11f915bc	f915bc11	99596582	20000000	b9596582			d4d1c6f8	6d88a37a
25	6d88a37a							7c839d87	110b3efd
26	110b3efd							caf2b8bc	dbf98641
27	dbf98641							11f915bc	ca0093fd
28	ca0093fd	0093fdca	63dc5474	40000000	23dc5474			6d88a37a	4e54f70e
29	4e54f70e							110b3efd	5f5fc9f3
30	5f5fc9f3							dbf98641	84a64fb2
31	84a64fb2							ca0093fd	4ea6dc4f
32	4ea6dc4f	a6dc4f4e	2486842f	80000000	a486842f			4e54f70e	ead27321
33	ead27321							5f5fc9f3	b58dbad2
34	b58dbad2							84a64fb2	312bf560
35	312bf560							4ea6dc4f	7f8d292f
36	7f8d292f	8d292f7f	5da515d2	1b000000	46a515d2			ead27321	ac7766f3
37	ac7766f3							b58dbad2	19fadc21
38	19fadc21							312bf560	28d12941
39	28d12941							7f8d292f	575c006e
40	575c006e	5c006e57	4a639f5b	36000000	7c639f5b			ac7766f3	d014f9a8
41	d014f9a8							19fadc21	c9ee2589
42	c9ee2589							28d12941	e13f0cc8
43	e13f0cc8							575c006e	b6630ca6

FIG. 3B (Prior Art)

$w_{43} = b6630ca6$ $w_{42} = e13f0cc8$ $w_{41} = c9ee2589$ $w_{40} = d014f9a8$

i	temp = w[j-1]	temp after RotWord()	temp after SubWord()	Rcon[i/Nk]	temp after XOR with Rcon	w[j]	w[j-Nk] = temp XOR w[j]	i - Nk
43	e13f0cc8					b6630ca6	575c006e	39
42	c9ee2589					e13f0cc8	28d12941	38
41	d014f9a8					c9ee2589	19fadc21	37
40	575c006e	5c006e57	4a639f5b	36000000	7c639f5b	d014f9a8	ac7766f3	36
39	28d12941					575c006e	7f8d292f	35
38	19fadc21					28d12941	312bf560	34
37	ac7766f3					19fadc21	b58dbad2	33
36	7f8d292f	8d292f7f	5da515d2	1b000000	46a515d2	ac7766f3	ead27321	32
35	312bf560					7f8d292f	4ea6dc4f	31
34	b58dbad2					312bf560	84a64fb2	30
33	ead27321					b58dbad2	5f5fc9f3	29
32	4ea6dc4f	a6dc4f4e	2486842f	80000000	a486842f	ead27321	4e54f70e	28
31	84a64fb2					4ea6dc4f	ca0093fd	27
30	5f5fc9f3					84a64fb2	dbf98641	26
29	4e54f70e					5f5fc9f3	110b3efd	25
28	ca0093fd	0093fdca	63dc5474	40000000	23dc5474	4e54f70e	6d88a37a	24

Fig. 4A

Fig. 4

Fig. 4A
Fig. 4B

6/24

27	dbf98641						ca0093fd	11f915bc	23
26	110b3efd						dbf98641	caf2b8bc	22
25	6d88a37a						110b3efd	7c839d87	21
24	11f915bc	f915bc11	99596582	20000000	b9596582		6d88a37a	d4d1c6f8	20
23	caf2b8bc						11f915bc	db0bad00	19
22	7c839d87						caf2b8bc	b671253b	18
21	d4d1c6f8						7c839d87	a8525b7f	17
20	db0bad00	0bad00db	2b9563b9	10000000	3b9563b9		d4d1c6f8	ef44a541	16
19	b671253b						db0bad00	6d7a883b	15
18	a8525b7f						b671253b	1e237e44	14
17	ef44a541						a8525b7f	4716fe3e	13
16	6d7a883b	7a883b6d	dac4e23c	08000000	d2c4e23c		ef44a541	3d80477d	12
15	1e237e44						6d7a883b	7359f67f	11
14	4716fe3e						1e237e44	5935807a	10
13	3d80477d						4716fe3e	7a96b943	9
12	7359f67f	59f67f73	cb42d28f	04000000	cf42d28f		3d80477d	f2c295f2	8
11	5935807a						7359f67f	2a6c7605	7
10	7a96b943						5935807a	23a33939	6
9	f2c295f2						7a96b943	88542cb1	5
8	2a6c7605	6c76052a	50386be5	02000000	52386be5		f2c295f2	a0fafe17	4
7	23a33939						2a6c7605	09cf4f3c	3
6	88542cb1						23a33939	abf71588	2
5	a0fafe17						88542cb1	28aed2a6	1
4	09cf4f3c	cf4f3c09	8a84eb01	01000000	8b84eb01		a0fafe17	2b7e1516	0

Fig. 4B

Cipher Key = 8e 73 b0 f7 da 0e 64 52 c8 10 f3 2b 80 90 79 e5 62 f8 ea d2 52 2c 6b 7b
 $w_0 = 8e73b0f7$ $w_1 = da0e6452$ $w_2 = c810f32b$ $w_3 = 809079e5$
 $w_4 = 62f8ead2$ $w_5 = 522c6b7b$

i	temp = $w[i - 1]$	temp after RotWord()	temp after SubWord()	Rcon[i/Nk]	Temp after XOR with Rcon	$w[i - Nk]$	$w[i] =$ temp XOR $w[i - Nk]$
6	522c6b7b	2c6b7b52	717f2100	01000000	707f2100	8e73b0f7	fe0c91f7
7	fe0c91f7					da0e6452	2402f5a5
8	2402f5a5					c810f32b	ec12068e
9	ec12068e					809079e5	6c827f6b
10	6c827f6b					62f8ead2	0e7a95b9
11	0e7a95b9					522c6b7b	5c56fec2
12	5c56fec2	56fec25c	b1bb254a	02000000	b3bb254a	fe0c91f7	4db7b4bd
13	4db7b4bd					2402f5a5	69b54118
14	69b54118					ec12068e	85a74796
15	85a74796					6c827f6b	e92538fd
16	e92538fd					0e7a95b9	e75fad44
17	e75fad44					5c56fec2	bb095386
18	bb095386	095386bb	01ed44ea	04000000	05ed44ea	4db7b4bd	485af057
19	485af057					69b54118	21efb14f
20	21efb14f					85a74796	a448f6d9
21	a448f6d9					e92538fd	4d6dce24
22	4d6dce24					e75fad44	aa326360
23	aa326360					bb095386	113b30e6
24	113b30e6	3b30e611	e2048e82	08000000	ea048e82	485af057	a25e7ed5
25	a25e7ed5					21efb14f	83b1cf9a

Fig. 5

Fig. 5A
Prior Art
Fig. 5B
Prior Art

Fig. 5A (Prior Art)

8/24

26	83b1cf9a								a448f6d9	27f93943
27	27f93943								4d6dce24	6a94f767
28	6a94f767								aa326360	c0a69407
29	c0a69407								113b30e6	d19da4e1
30	d19da4e1	9da4e1d1	5e49f83e	10000000	4e49f83e			a25e7ed5	ec1786eb	6fa64971
31	ec1786eb							83b1cf9a	27f93943	485f7032
32	6fa64971							6a94f767	c0a69407	e26d1352
33	485f7032							d19da4e1	ec1786eb	40beeb28
34	22cb8755							6fa64971	485f7032	6747d26b
35	e26d1352							c0a69407	22cb8755	458c553e
36	33f0b7b3	f0b7b333	8ca96dc3	20000000	aca96dc3			d19da4e1	e26d1352	a7e1466c
37	40beeb28							ec1786eb	33f0b7b3	9411f1df
38	2f18a259							6fa64971	40beeb28	821f750a
39	6747d26b							485f7032	2f18a259	ad07d753
40	458c553e							22cb8755	6747d26b	ca400538
41	a7e1466c							e26d1352	458c553e	8fcc5006
42	9411f1df	11f1df94	82a19e22	40000000	c2a19e22			33f0b7b3	a7e1466c	282d166a
43	821f750a							40beeb28	9411f1df	bc3ce7b5
44	ad07d753							2f18a259	821f750a	e98ba06f
45	ca400538							6747d26b	ad07d753	448c773c
46	8fcc5006							458c553e	ca400538	8ecc7204
47	282d166a							a7e1466c	8fcc5006	01002202
48	bc3ce7b5	3ce7b5bc	eb94d565	80000000	6b94d565			9411f1df	282d166a	
49	e98ba06f							821f750a	bc3ce7b5	
50	448c773c							ad07d753	e98ba06f	
51	8ecc7204							ca400538	448c773c	
								8fcc5006	8ecc7204	

Fig. 5B
Prior Art

9/24

$w_{51} = 01002202$ $w_{50} = 8ecc7204$ $w_{49} = 448c773c$ $w_{48} = e98ba06f$
 $w_{47} = bc3ce7b5$ $w_{46} = 282d166a$

i	temp = w[i-1]	temp after RotWord()	temp after SubWord()	Rcon[i/Nk]	temp after XOR with Rcon	w[i]	w[i-Nk] = temp XOR w[i]	i - Nk
51	8ecc7204					01002202	8fcc5006	45
50	448c773c					8ecc7204	ca400538	44
49	e98ba06f					448c773c	ad07d753	43
48	bc3ce7b5	3ce7b5bc	eb94d565	80000000	6b94d565	e98ba06f	821f750a	42
47	282d166a					bc3ce7b5	9411f1df	41
46	8fcc5006					282d166a	a7e1466c	40
45	ca400538					8fcc5006	458c553e	39
44	ad07d753					ca400538	6747d26b	38
43	821f750a					ad07d753	2f18a259	37
42	9411f1df	11f1df94	82a19e22	40000000	c2a19e22	821f750a	40beeb28	36
41	a7e1466c					9411f1df	33f0b7b3	35
40	458c553e					a7e1466c	e26d1352	34
39	6747d26b					458c553e	22cb8755	33
38	2f18a259					6747d26b	485f7032	32
37	40beeb28					2f18a259	6fa64971	31
36	33f0b7b3	f0b7b333	8ca96dc3	20000000	aca96dc3	40beeb28	ec1786eb	30
35	e26d1352					33f0b7b3	d19da4e1	29
34	22cb8755					e26d1352	c0a69407	28
33	485f7032					22cb8755	6a94f767	27
32	6fa64971					485f7032	27f93943	26
31	ec1786eb					6fa64971	83b1cf9a	25

Fig. 6

Fig. 6A
Fig. 6B

Fig. 6A

10/24

30	d19da4e1	9da4e1d1	5e49f83e	10000000	4e49f83e	ec1786eb	a25e7ed5	24
29	c0a69407					d19da4e1	113b30e6	23
28	6a94f767					c0a69407	aa326360	22
27	27f93943					6a94f767	4d6dce24	21
26	83b1cf9a					27f93943	a448f6d9	20
25	a25e7ed5					83b1cf9a	21efb14f	19
24	113b30e6	3b30e611	e2048e82	08000000	ea048e82	a25e7ed5	485af057	18
23	aa326360					113b30e6	bb095386	17
22	4d6dce24					aa326360	e75fad44	16
21	a448f6d9					4d6dce24	e92538fd	15
20	21efb14f					a448f6d9	85a74796	14
19	485af057					21efb14f	69b54118	13
18	bb095386	095386bb	01ed44ea	04000000	05ed44ea	485af057	4db7b4bd	12
17	e75fad44					bb095386	5c56fec2	11
16	e92538fd					e75fad44	0e7a95b9	10
15	85a74796					e92538fd	6c827f6b	9
14	69b54118					85a74796	ec12068e	8
13	4db7b4bd					69b54118	2402f5a5	7
12	5c56fec2	56fec25c	b1bb254a	02000000	b3bb254a	4db7b4bd	fe0c91f7	6
11	0e7a95b9					5c56fec2	522c6b7b	5
10	6c827f6b					0e7a95b9	62f8ead2	4
9	ec12068e					6c827f6b	809079e5	3
8	2402f5a5					ec12068e	c810f32b	2
7	fe0c91f7					2402f5a5	da0e6452	1
6	522c6b7b	2c6b7b52	717f2100	01000000	707f2100	fe0c91f7	8e73b0f7	0

Fig. 6B

Cipher Key = 60 3d eb 10 15 ca 71 be 2b 73 ae f0 85 7d 77 811f 35 2c 07 3b 61 08 d7 2d 98 10 a3 09 14 df f4
 $w_0 = 603deb10$ $w_1 = 15ca71be$ $w_2 = 2b73aef0$ $w_3 = 857d7781$
 $w_4 = 1f352c07$ $w_5 = 3b6108d7$ $w_6 = 2d9810a3$ $w_7 = 0914dff4$

Fig. 7

<i>Fig. 7A</i> <i>Prior Art</i>
<i>Fig. 7B</i> <i>Prior Art</i>
<i>Fig. 7C</i> <i>Prior Art</i>

i	temp = $w[i - 1]$	temp after RotWord()	temp after SubWord()	Rcon[i/Nk]	Temp after XOR with Rcon	$w[i - Nk]$	$w[i] =$ temp XOR $w[i - Nk]$
8	0914dff4	14dff409	fa9ebf01	01000000	fb9ebf01	603deb10	9ba35411
9	9ba35411					15ca71be	8e6925af
10	8e6925af					2b73aef0	a51a8b5f
11	a51a8b5f					857d7781	2067fcde
12	2067fcde		b785b01d			1f352c07	a8b09c1a
13	a8b09c1a					3b6108d7	93d194cd
14	93d194cd					2d9810a3	be49846e
15	be49846e					0914dff4	b75d5b9a
16	b75d5b9a	5d5b9ab7	4c39b8a9	02000000	4e39b8a9	9ba35411	d59aecb8
17	d59aecb8					8e6925af	5bf3c917
18	5bf3c917					a51a8b5f	fee94248
19	fee94248					2067fcde	de8ebe96
20	de8ebe96		1d19ae90			a8b09c1a	b5a9328a
21	b5a9328a					93d194cd	2678a647
22	2678a647					be49846e	98312229
23	98312229					b75d5b9a	2f6c79b3
24	2f6c79b3	6c79b32f	50b66d15	04000000	54b66d15	d59aecb8	812c81ad
25	812c81ad					5bf3c917	dadf48ba
26	dadf48ba					fee94248	24360af2

Fig. 7A (Prior Art)

12/24

27	24360af2						de8ebe96	fab8b464
28	fab8b464	2d6c8d43					b5a9328a	98c5bfc9
29	98c5bfc9						2678a647	bebd198e
30	bebd198e						98312229	268c3ba7
31	268c3ba7						2f6c79b3	09e04214
32	09e04214	e0421409	e12cfa01	08000000	e92cfa01		812c81ad	68007bac
33	68007bac						dadf48ba	b2df3316
34	b2df3316						24360af2	96e939e4
35	96e939e4						fab8b464	6c518d80
36	6c518d80		50d15dcd				98c5bfc9	c814e204
37	c814e204						bebd198e	76a9fb8a
38	76a9fb8a						268c3ba7	5025c02d
39	5025c02d						09e04214	59c58239
40	59c58239	c5823959	a61312cb	10000000	b61312cb		68007bac	de136967
41	de136967						b2df3316	6ccc5a71
42	6ccc5a71						96e939e4	fa256395
43	fa256395						6c518d80	9674ee15
44	9674ee15		90922859				c814e204	5886ca5d
45	5886ca5d						76a9fb8a	2e2f31d7
46	2e2f31d7						5025c02d	7e0af1fa
47	7e0af1fa						59c58239	27cf73c3
48	27cf73c3	cf73c327	8a8f2ecc	20000000	aa8f2ecc		de136967	749c47ab

Fig. 7B (Prior Art)

13/24

49	749c47ab					6cc5a71	18501dda
50	18501dda					fa256395	e2757e4f
51	e2757e4f					9674ee15	7401905a
52	7401905a		927c60be			5886ca5d	cafaaae3
53	cafaaae3					2e2f31d7	e4d59b34
54	e4d59b34					7e0af1fa	9adf6ace
55	9adf6ace					27cf73c3	bd10190d
56	bd10190d	10190dbd	cad4d77a	40000000	8ad4d77a	749c47ab	fe4890d1
57	fe4890d1					18501dda	e6188d0b
58	e6188d0b					e2757e4f	046df344
59	046df344					7401905a	706c631e

Fig. 7C (Prior Art)

$w_{59} = 706c631e$ $w_{58} = 046df344$ $w_{57} = e6188d0b$ $w_{56} = fe4890d1$
 $w_{55} = bd10190d$ $w_{54} = 9adf6ace$ $w_{53} = e4d59b34$ $w_{52} = cafaaae3$

Fig. 8

Fig. 8A
Fig. 8B
Fig. 8C

i	temp = w[i-1]	temp after RotWord()	temp after SubWord()	Rcon[i/Nk]	temp after XOR with Rcon	w[i]	w[i-Nk] = temp XOR w[i]	i - Nk
59	046df344						7401905a	51
58	e6188f0b					046df344	e2757e4f	50
57	fe4890d1					e6188f0b	18501dda	49
56	bd10190d	10190dbd	cad4d77a	40000000	8ad4d77a	fe4890d1	749c47ab	48
55	9adf6ace					bd10190d	27cf73c3	47
54	e4d59b34					9adf6ace	7e0af1fa	46
53	cafaaae3					e4d59b34	2e2f31d7	45
52	7401905a		927c60be			cafaaae3	5886ca5d	44
51	e2757e4f					7401905a	9674ee15	43
50	18501dda					e2757e4f	fa256395	42
49	749c47ab					18501dda	6ccc5a71	41
48	27cf73c3	cf73c327	8a8f2ecc	20000000	aa8f2ecc	749c47ab	de136967	40
47	7e0af1fa					27cf73c3	59c58239	39
46	2e2f31d7					7e0af1fa	5025c02d	38
45	5886ca5d					2e2f31d7	76a9fb8a	37
44	9674ee15		90922859			5886ca5d	c814e204	36
43	fa256395					9674ee15	6c518d80	35
42	6ccc5a71					fa256395	96e939e4	34
41	de136967					6ccc5a71	b2df3316	33

Fig. 8A

15/24

40	59c58239	c5823959	a61312cb	10000000	b61312cb	de136967	68007bac	32
39	5025c02d					59c58239	09e04214	31
38	76a9fb8a					5025c02d	268c3ba7	30
37	c814e204					76a9fb8a	bebd198e	29
36	6c518d80		50d15dcd			c814e204	98c5bfc9	28
35	96e939e4					6c518d80	fab8b464	27
34	b2df3316					96e939e4	24360af2	26
33	68007bac					b2df3316	dadf48ba	25
32	09e04214	e0421409	e12cfa01	08000000	e92cfa01	68007bac	812c81ad	24
31	268c3ba7					09e04214	2f6c79b3	23
30	bebd198e					268c3ba7	98312229	22
29	98c5bfc9					bebd198e	2678a647	21
28	fab8b464		2d6c8d43			98c5bfc9	b5a9328a	20
27	24360af2					fab8b464	de8ebe96	19
26	dadf48ba					24360af2	fee94248	18
25	812c81ad					dadf48ba	5bf3c917	17
24	2f6c79b3	6c79b32f	50b66d15	04000000	54b66d15	812c81ad	d59aecb8	16
23	98312229					2f6c79b3	b75d5b9a	15
22	2678a647					98312229	be49846e	14
21	b5a9328a					2678a647	93d194cd	13
20	de8ebe96		1d19ae90			b5a9328a	a8b09c1a	12
19	fee94248					de8ebe96	2067fcde	11
18	5bf3c917					fee94248	a51a8b5f	10
17	d59aecb8					5bf3c917	8e6925af	9

Fig. 8B

16/24

16	b75d5b9a	5d5b9ab7	4c39b8a9	02000000	4e39b8a9	d59aecb8	9ba35411	8
15	be49846e					b75d5b9a	0914dff4	7
14	93d194cd					be49846e	2d9810a3	6
13	a8b09c1a					93d194cd	3b6108d7	5
12	2067fcde		b785b01d			a8b09c1a	1f352c07	4
11	a51a8b5f					2067fcde	857d7781	3
10	8e6925af					a51a8b5f	2b73aef0	2
9	9ba35411					8e6925af	15ca71be	1
8	0914dff4	14dff409	fa9ebf01	01000000	fb9ebf01	9ba35411	603deb10	0

Fig. 8C

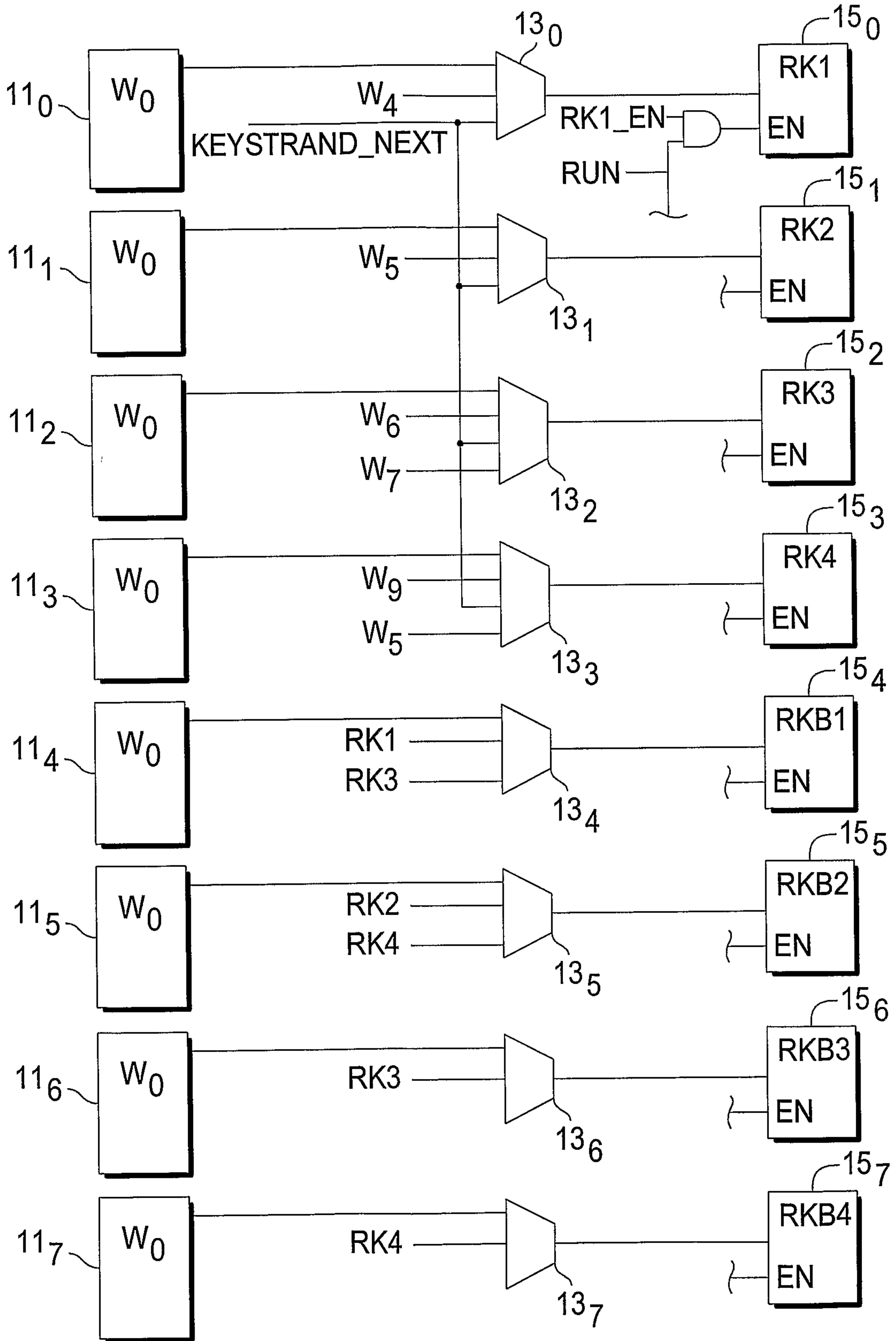


Fig. 9A

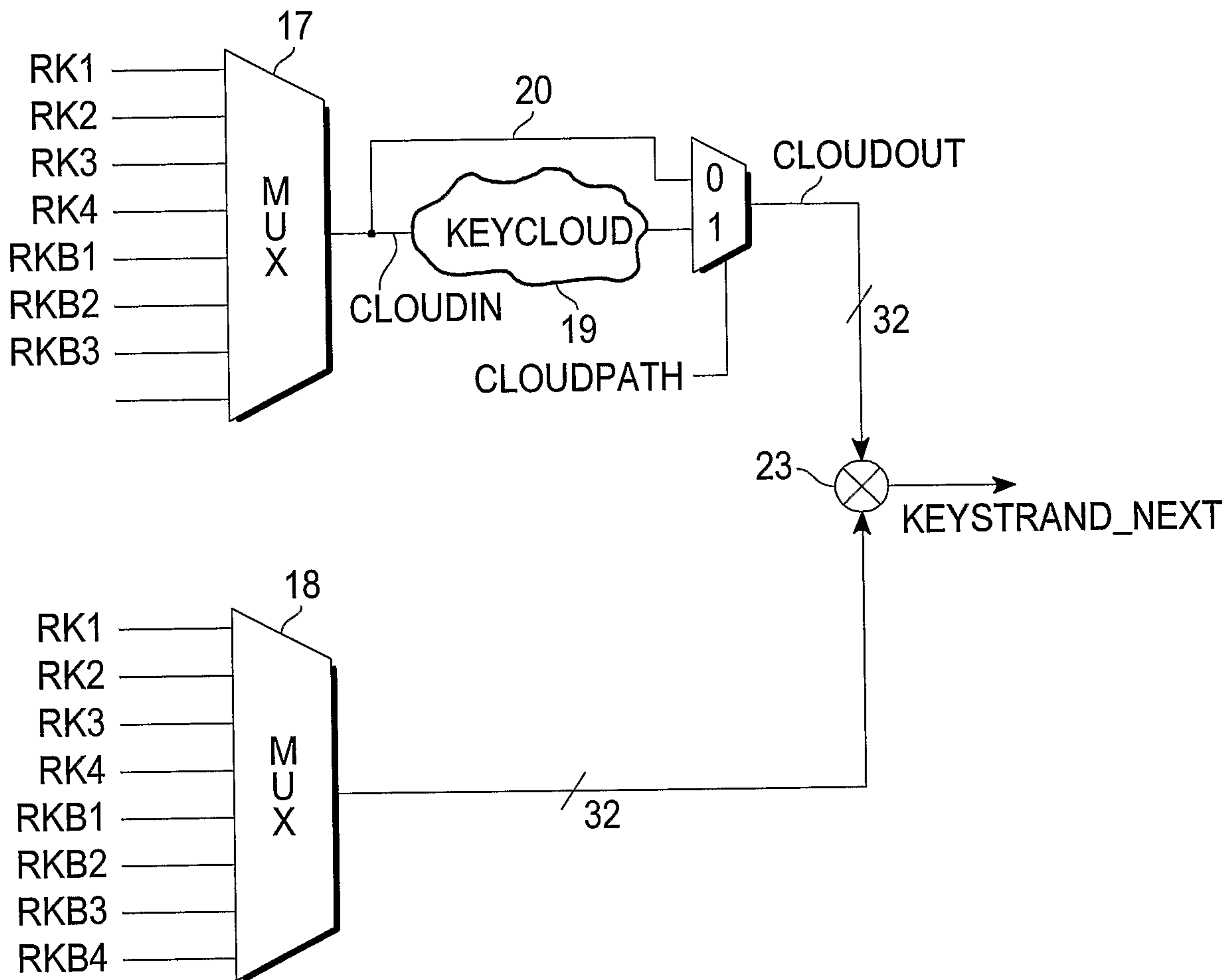


Fig. 9B

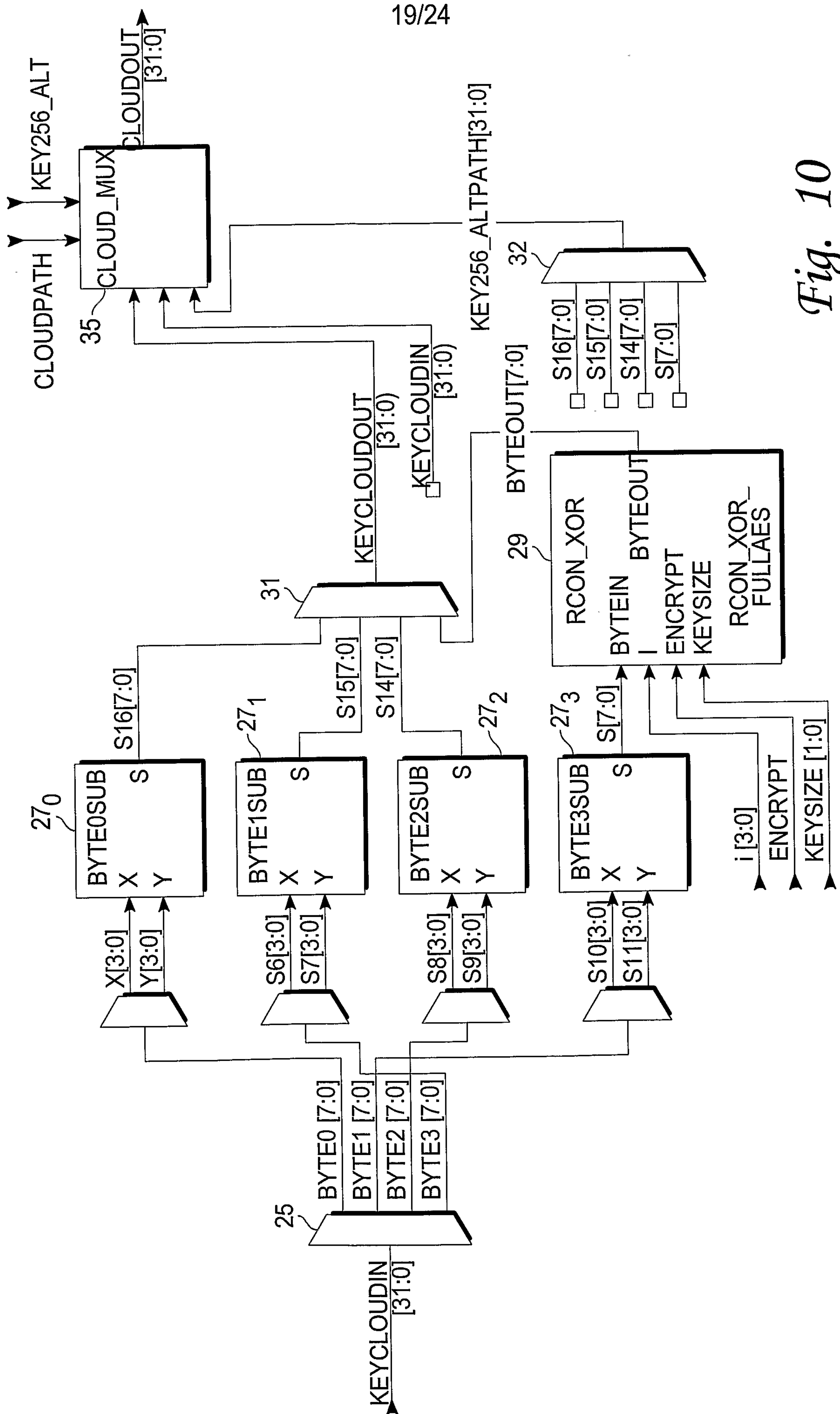


Fig. 10

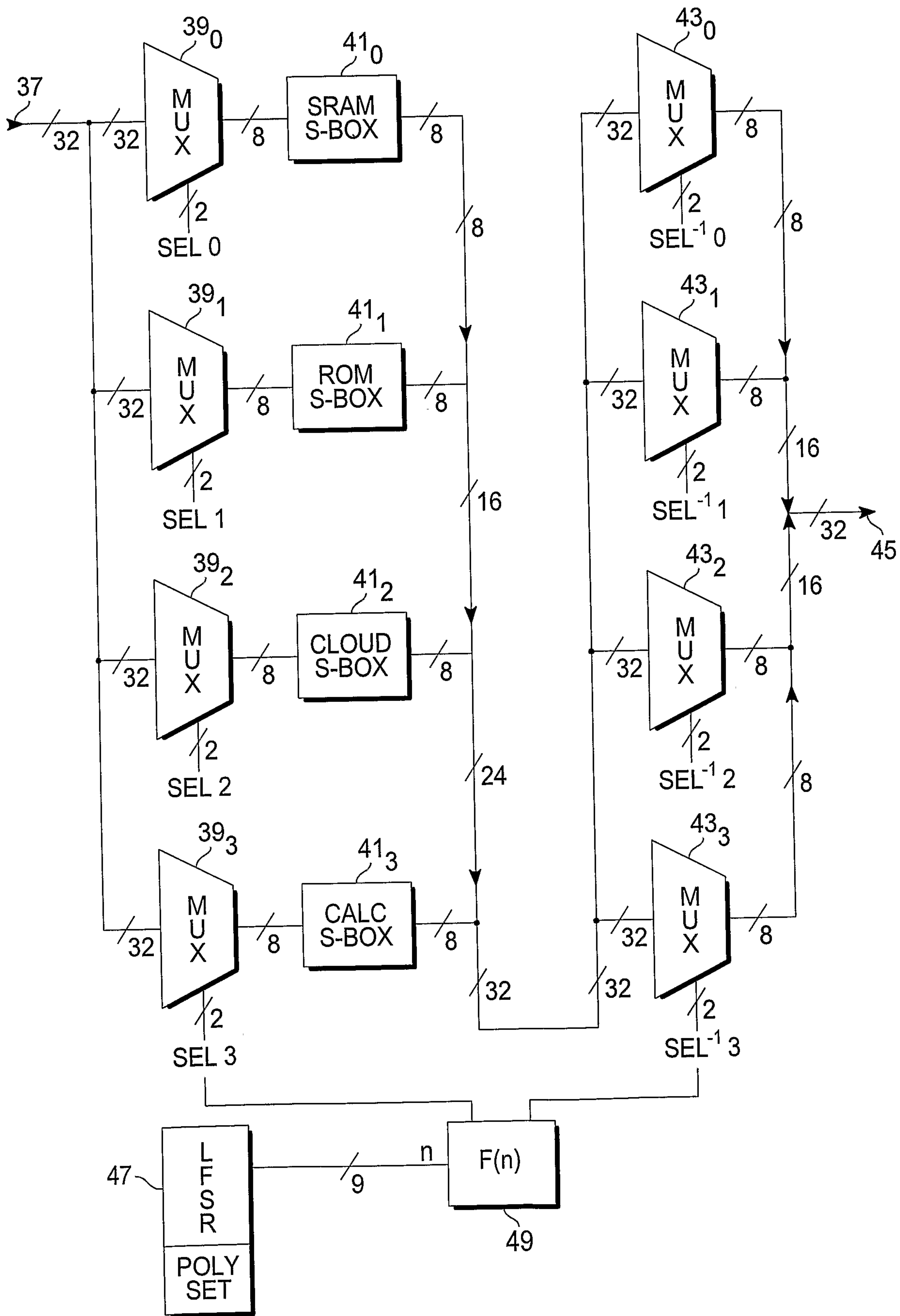


Fig. 11

21/24

F(n)

LFSR Output (9- bit range) n	S-Box Order	SEL				SEL ⁻¹			
		3	2	1	0	3	2	1	0
1EB-1FF	3210	11	10	01	00	11	10	01	00
1D6-1EA	3201	11	10	00	01	11	10	00	01
1C1-1D5	3120	11	01	10	00	11	01	10	00
1AB-1C0	3102	11	01	00	10	11	00	10	01
196-1AA	3021	11	00	10	01	11	01	00	10
181-195	3012	11	00	01	10	11	00	01	10
16C-180	2301	10	11	00	01	10	11	00	01
157-16B	2310	10	11	01	00	10	11	01	00
141-156	2031	10	00	11	01	01	11	00	10
12C-140	2013	10	00	01	11	00	11	01	10
117-12B	2130	10	01	11	00	01	11	10	00
101-116	2103	10	01	00	11	00	11	10	01
0EC-100	1032	01	00	11	10	01	00	11	10
0D6-0EB	1023	01	00	10	11	00	01	11	10
0C0-0D5	1302	01	11	01	10	10	00	11	01
0AB-0BF	1320	01	11	10	00	10	01	11	00
096-0AA	1230	01	10	11	00	01	10	11	00
081-095	1203	01	10	00	11	00	10	11	01
06B-080	0321	00	11	10	01	10	01	00	11
056-06A	0312	00	11	01	10	10	00	01	11
040-055	0132	00	01	11	10	01	00	10	11
02B-03F	0123	00	01	10	11	00	01	10	11
015-02A	0231	00	10	11	01	01	10	00	11
000-014	0213	00	10	01	11	00	10	01	11

FIG. 12

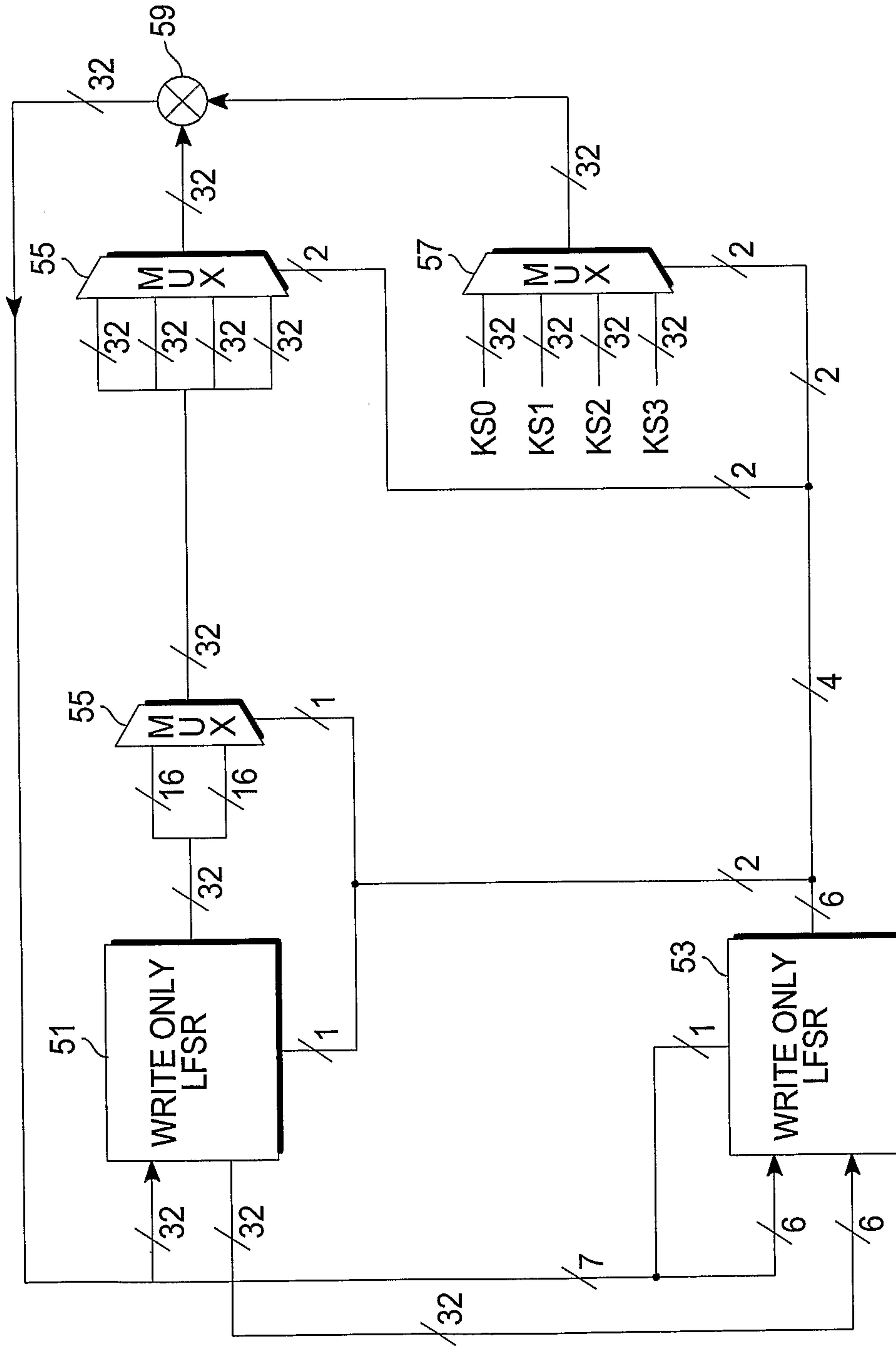


Fig. 13

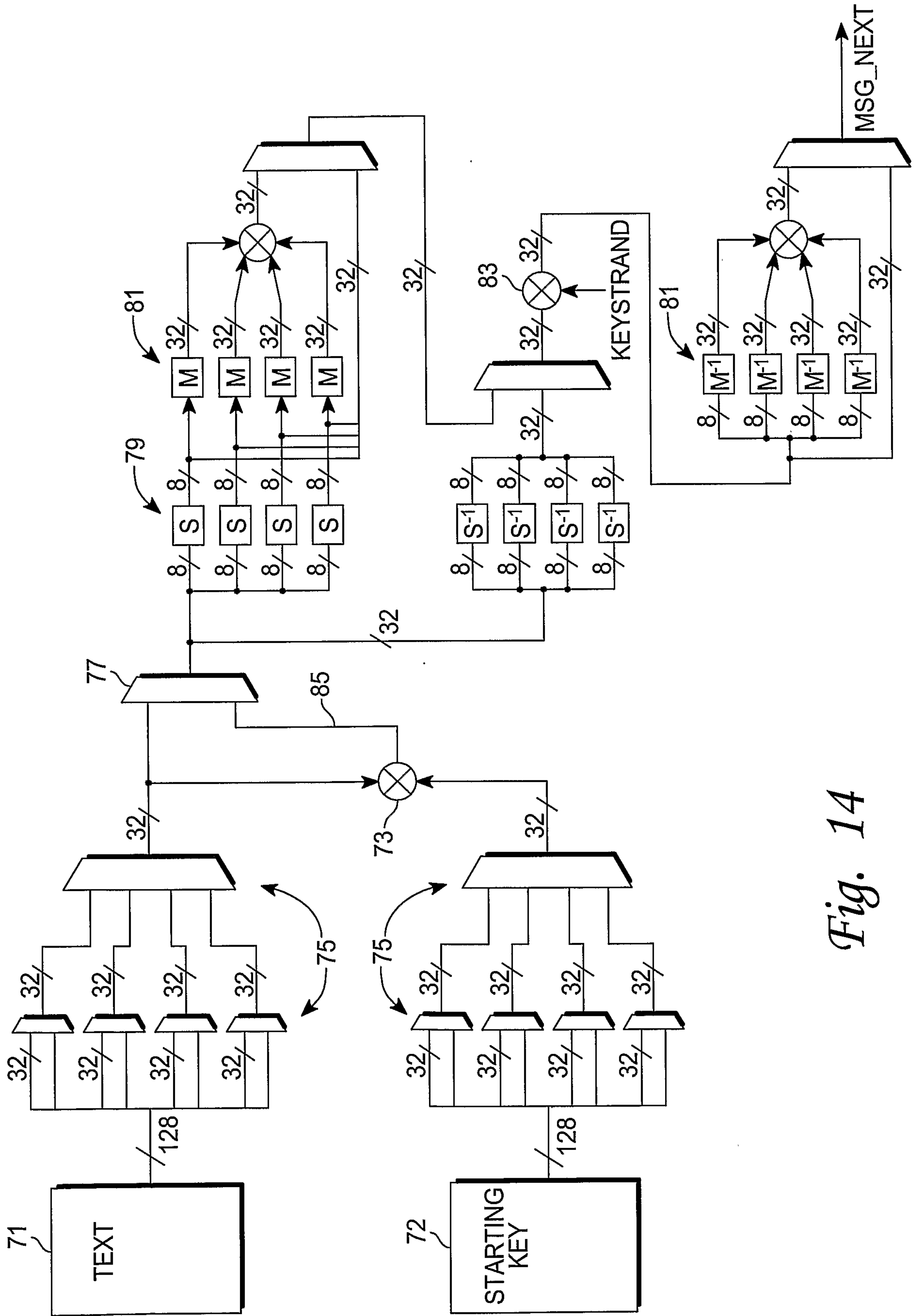


Fig. 14

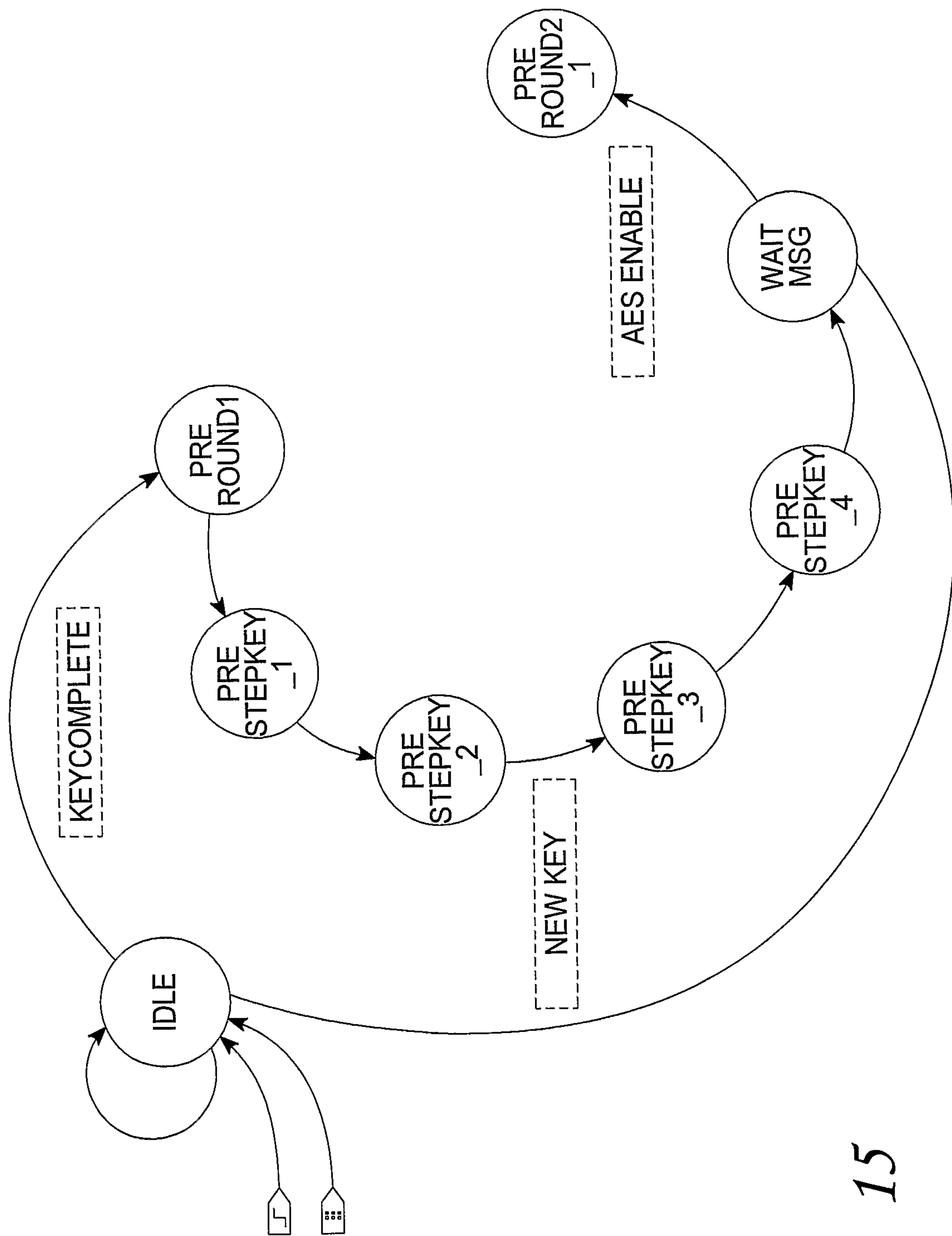


Fig. 15

