



US00D755614S

(12) **United States Design Patent**
Gosling

(10) **Patent No.:** **US D755,614 S**

(45) **Date of Patent:** **** May 10, 2016**

(54) **FLEX BRACKET WITH KNUCKLE**

(71) Applicant: **Dirtt Environmental Solutions LTD,**
Calgary (CA)

(72) Inventor: **Geoff William Gosling,** Calgary (CA)

(73) Assignee: **DIRTT Environmental Solutions,**
LTD, Calgary (CA)

(**) Term: **14 Years**

(21) Appl. No.: **29/473,239**

(22) Filed: **Nov. 20, 2013**

(51) **LOC (10) CI.** **08-05**

(52) **U.S. CI.**
USPC **D8/373**

(58) **Field of Classification Search**
USPC D8/383, 374, 300, 303, 313, 314, 394,
D8/396, 380, 373, 395, 363, 381, 44, 19,
D8/352, 370, 308, 372, 376, 384;
D13/133; D19/1; D22/108; D26/87;
D9/686, 687; D23/238; D6/300, 556,
D6/682, 325; D7/619.1
CPC F16B 12/44; F16B 12/46; F16B 5/0614;
F16B 12/02; E04B 1/2612; E04B 2001/2415;
E04B 1/5818; E04B 1/5831; A47B 88/0055;
E04F 11/1812

See application file for complete search history.

(56) **References Cited**

U.S. PATENT DOCUMENTS

| | | | | |
|--------------|---------|----------------|-------|--------|
| D26,071 S * | 9/1896 | Howland et al. | | D8/383 |
| 1,715,853 A | 6/1929 | Madsen | | |
| D172,998 S * | 9/1954 | Sumner | | D8/383 |
| 2,996,157 A | 8/1961 | Rauth | | |
| 3,159,236 A | 12/1964 | Akerson | | |
| 3,174,580 A | 3/1965 | Schulz | | |
| 3,177,970 A | 4/1965 | Boschi | | |
| D204,057 S * | 3/1966 | Logan | | D8/363 |
| 3,526,065 A | 9/1970 | Lee | | |

| | | |
|-------------|---------|---------|
| 3,770,560 A | 11/1973 | Elder |
| 4,076,100 A | 2/1978 | Davis |
| 4,269,005 A | 5/1981 | Timmons |
| 4,417,426 A | 11/1983 | Meng |
| 4,535,577 A | 8/1985 | Tenser |
| 4,546,591 A | 10/1985 | Beltz |
| 4,708,189 A | 11/1987 | Ward |

(Continued)

FOREIGN PATENT DOCUMENTS

| | | |
|----|----------|---------|
| EP | 1712694 | 10/2006 |
| JP | 02164984 | 6/1990 |

(Continued)

OTHER PUBLICATIONS

International Search Report and Written Opinion for PCT/US2013/063580 mailed Jan. 17, 2014.

(Continued)

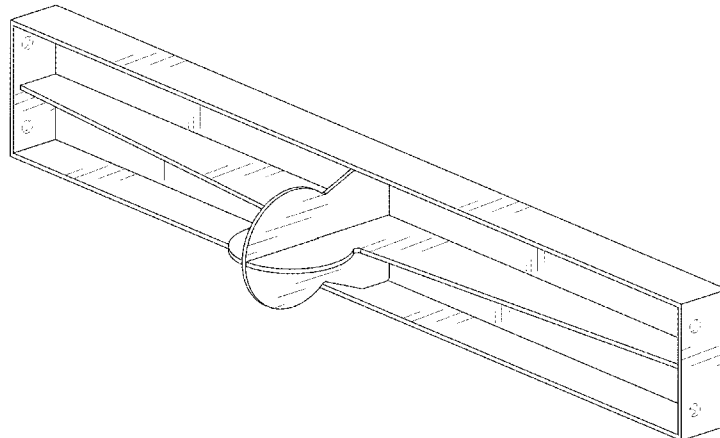
Primary Examiner — Robert M Spear
Assistant Examiner — Eliza Bennett-Hattan
(74) *Attorney, Agent, or Firm* — Workman Nydegger

(57) **CLAIM**
The ornamental design for a flex bracket with knuckle, as shown and described.

DESCRIPTION

FIG. 1 is a perspective view of a flex bracket with knuckle showing the design;
FIG. 2 is a left elevational view thereof, a right elevational view being identical thereto;
FIG. 3 is a top plan view thereof, bottom plan view being identical thereto;
FIG. 4 is a front elevational view thereof; and,
FIG. 5 is a rear elevational view thereof.
The broken lines in the drawing depict environmental subject matter only and form no part of the claimed design.

1 Claim, 3 Drawing Sheets



(56)

References Cited

U.S. PATENT DOCUMENTS

D300,803 S * 4/1989 Whitley, II D8/363
 D306,689 S * 3/1990 Hamann D8/363
 4,914,873 A 4/1990 Newhouse
 D313,933 S * 1/1991 Petley D8/373
 5,050,353 A 9/1991 Rogers
 5,134,826 A 8/1992 La Roche
 5,155,955 A 10/1992 Ball
 5,172,530 A 12/1992 Fishel
 5,195,286 A 3/1993 DeLong
 5,297,368 A 3/1994 Okada
 D348,384 S * 7/1994 Karsten D8/363
 5,349,794 A 9/1994 Taga
 5,487,402 A 1/1996 Clary
 5,732,802 A 3/1998 Tsukagoshi
 5,735,100 A 4/1998 Campbell
 5,852,904 A 12/1998 Yu
 5,906,080 A 5/1999 Digrolamo
 5,934,028 A 8/1999 Taylor
 D429,998 S * 8/2000 Snell D8/363
 6,170,202 B1 1/2001 Davoodi
 6,260,324 B1 7/2001 Miedema
 6,434,895 B1 8/2002 Hosterman
 6,598,351 B2 7/2003 Hallberg
 6,679,016 B2 1/2004 Liu
 6,889,477 B1 5/2005 Kottman
 7,226,033 B2 6/2007 Foucher
 D569,713 S * 5/2008 Sandidge D8/363
 D576,475 S * 9/2008 Didehvar D8/373
 7,466,286 B2 12/2008 Chapman
 7,712,260 B2 5/2010 Vardado
 7,797,901 B2 9/2010 Near
 7,926,430 B2 4/2011 Bakker
 7,958,683 B2 6/2011 Abusada
 8,015,767 B2 9/2011 Glick
 8,033,059 B2 10/2011 Contois

8,046,957 B2 11/2011 Towersey
 D696,572 S * 12/2013 Petrucci D8/373
 8,601,749 B2 12/2013 Huene
 8,613,168 B2 12/2013 Huene
 8,615,936 B2 12/2013 Huene
 D699,547 S * 2/2014 Syed et al. D8/363
 8,813,455 B2 8/2014 Merrifield
 8,899,519 B2 12/2014 Smith
 2003/0154672 A1 8/2003 Spransy
 2006/0057345 A1 3/2006 Surace
 2006/0059806 A1 3/2006 Gosling
 2006/0157297 A1 7/2006 D'Antonio
 2008/0302054 A1 12/2008 Gosling
 2011/0100749 A1 5/2011 Nonogi
 2011/0146180 A1 6/2011 Klein
 2011/0147119 A1 6/2011 Cao
 2014/0157720 A1 6/2014 Huene

FOREIGN PATENT DOCUMENTS

JP 11013176 1/1999
 JP 11050574 2/1999
 KR 1020020037255 5/2002
 KR 101143844 5/2012

OTHER PUBLICATIONS

International Search Report and Written Opinion for PCT/US2013/063548 mailed Jan. 16, 2014.
 Office Action for U.S. Appl. No. 14/114,019 mailed Aug. 7, 2015.
 International Search Report and Written Opinion for PCT/US2013/063488 mailed Jan. 17, 2014.
 Non-Final Office Action for U.S. Appl. No. 14/113,252 mailed on Nov. 9, 2015.
 Non-Final Office Action for U.S. Appl. No. 14/722,642 mailed on Nov. 19, 2015.

* cited by examiner

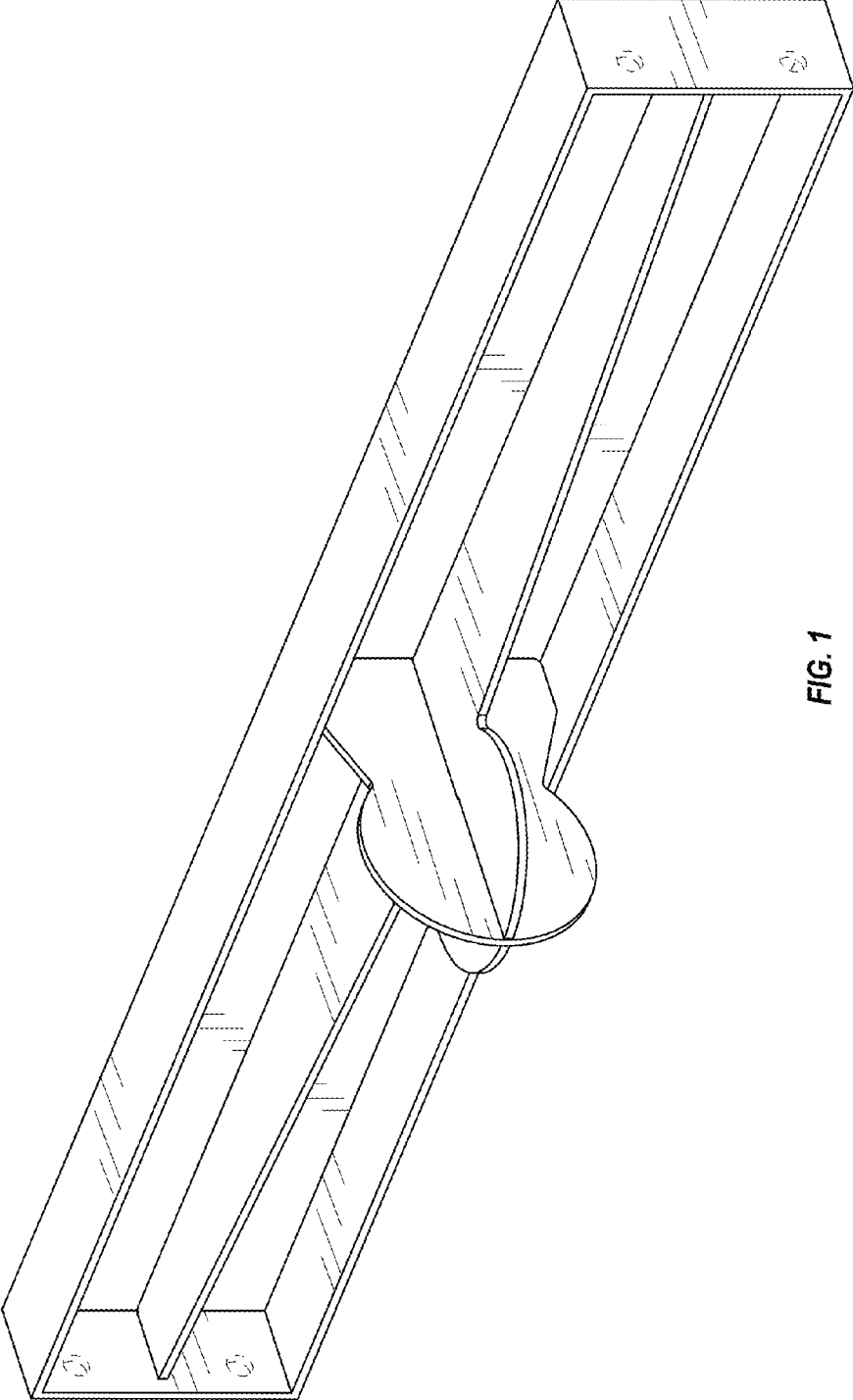


FIG. 1

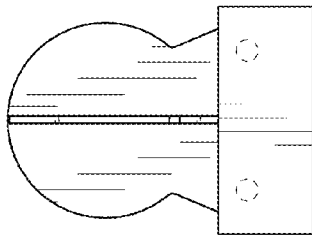


FIG. 2

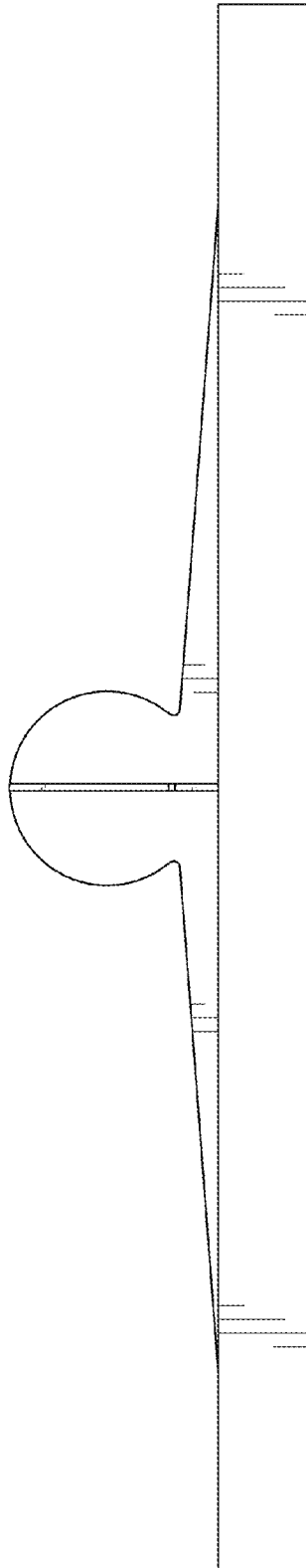


FIG. 3

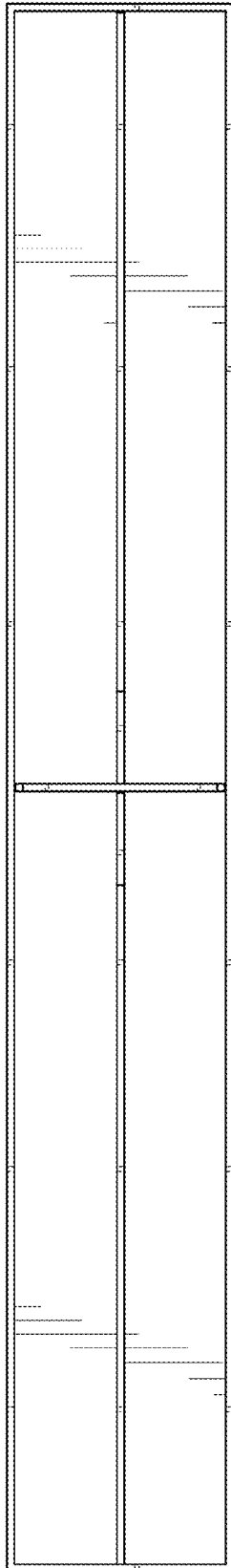


FIG. 4

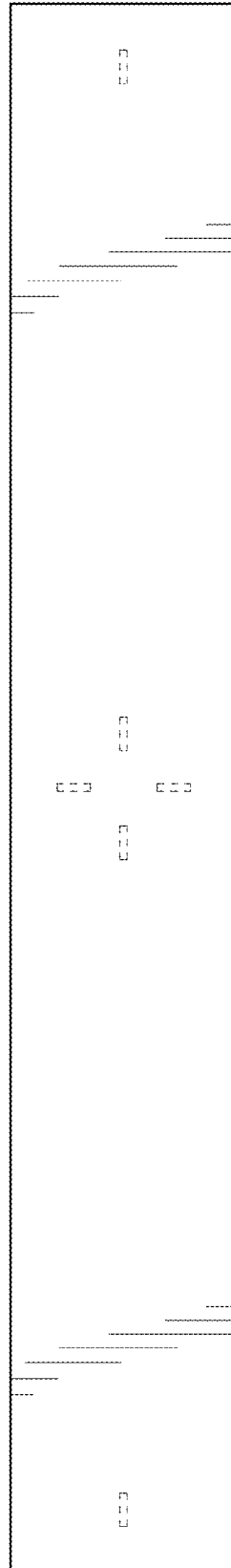


FIG. 5