



US00D694574S

(12) **United States Design Patent**
Norland et al.

(10) **Patent No.:** **US D694,574 S**

(45) **Date of Patent:** **** Dec. 3, 2013**

(54) **BLENDER BASE**

(71) Applicant: **Whirlpool Corporation**, Benton Harbor, MI (US)

(72) Inventors: **Leif A. Norland**, Saint Joseph, MI (US);
Brandon T. Mock, Saint Joseph, MI (US)

(73) Assignee: **Whirlpool Corporation**, Benton Harbor, MI (US)

(**) Term: **14 Years**

(21) Appl. No.: **29/447,363**

(22) Filed: **Mar. 1, 2013**

(51) **LOC (9) Cl.** **31-00**

(52) **U.S. Cl.**

USPC **D7/386**; D7/376; D7/378; D7/412

(58) **Field of Classification Search**

USPC D7/301-313, 316-326, 356-357, 368, D7/372-386, 391-398, 412-415, 503, 515, D7/665-666, 679, 691-693; 99/280, 326, 99/348, 492, 508-512; 241/30-37.5, 98, 241/101.01-101.2, 166-169.1, 172, 272, 241/285.1-285.3, 291, 292.1; 366/64-67, 366/98, 129, 142-144, 192-211, 241-254, 366/262, 279-292, 325.8, 325.92, 366/341-347; 416/75-77, 70 R, 163

See application file for complete search history.

(56) **References Cited**

U.S. PATENT DOCUMENTS

D444,995 S *	7/2001	Thackray	D7/386
6,402,365 B1 *	6/2002	Wong	366/206
D488,344 S *	4/2004	Seum et al.	D7/384
D502,047 S *	2/2005	Ledingham et al.	D7/384
D526,531 S *	8/2006	Drees et al.	D7/378
D533,395 S *	12/2006	Drees et al.	D7/378
D552,412 S *	10/2007	Steiner	D7/378
D577,537 S *	9/2008	Lee	D7/386
7,581,688 B2 *	9/2009	Mally	241/30
D605,462 S *	12/2009	Picozza et al.	D7/386
D617,136 S *	6/2010	Bock et al.	D7/378
D637,870 S *	5/2011	Bock	D7/412
D644,480 S *	9/2011	Czach et al.	D7/384

* cited by examiner

Primary Examiner — Ricky Pham

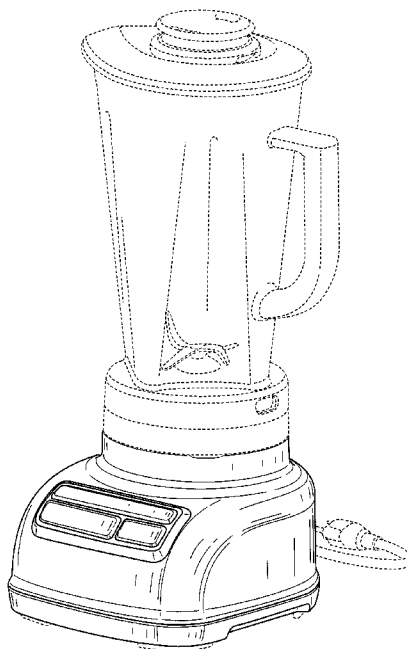
(57) **CLAIM**

We claim the ornamental design for a blender base, as shown and described.

DESCRIPTION

FIG. 1 is a top perspective view of a blender base showing our new design; FIG. 2 is a front elevational view of the blender base of FIG. 1; FIG. 3 is a rear elevational view of the blender base of FIG. 1; FIG. 4 is a first side elevational view of the blender base of FIG. 1; FIG. 5 is a second side elevational view of the blender base of FIG. 1; FIG. 6 is a top plan view of the blender base of FIG. 1; and, FIG. 7 is a bottom plan view of the blender base of FIG. 1. The broken lines shown in the drawings are for illustrative purposes only and form no part of the claimed design.

1 Claim, 7 Drawing Sheets



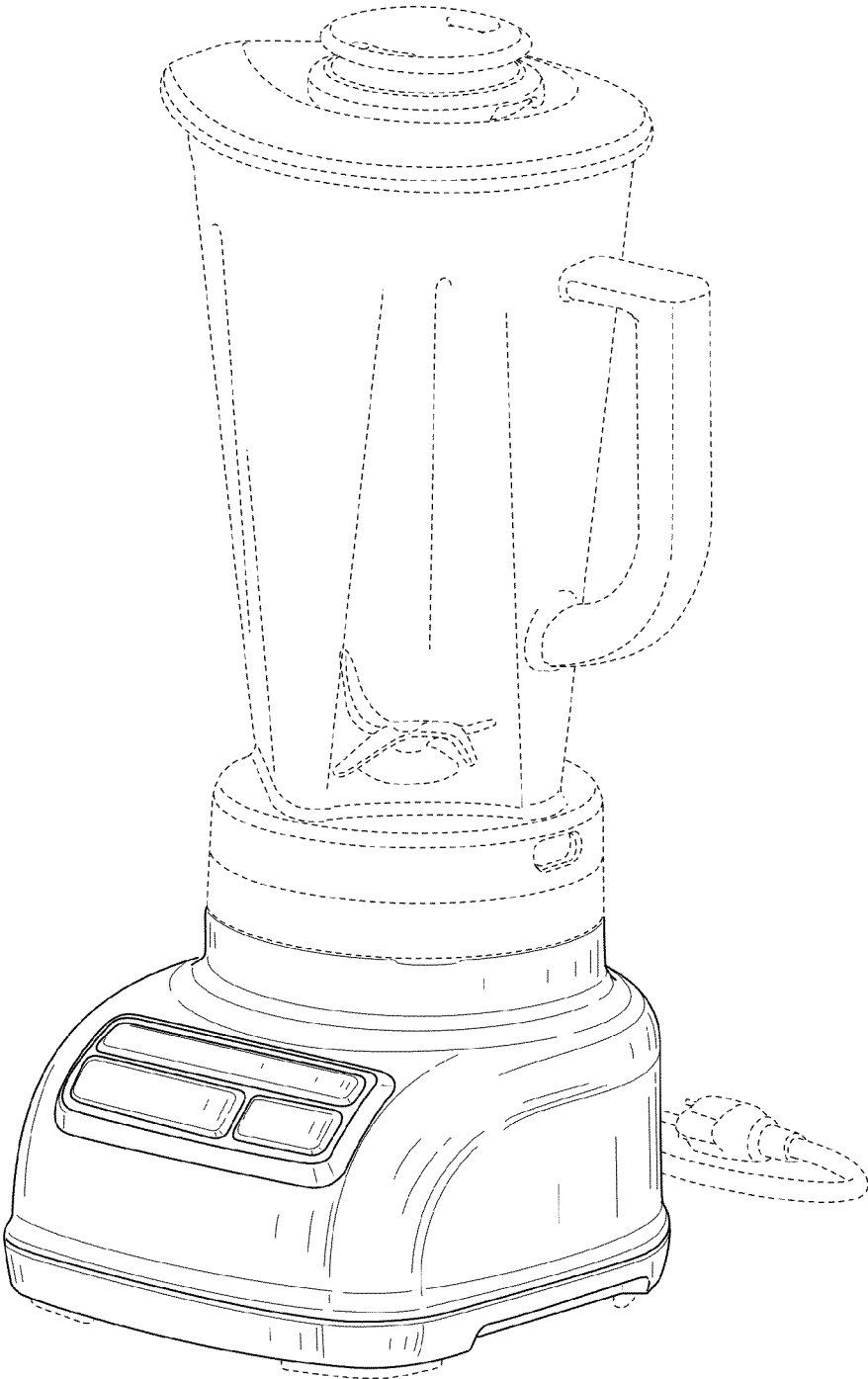


FIG. 1

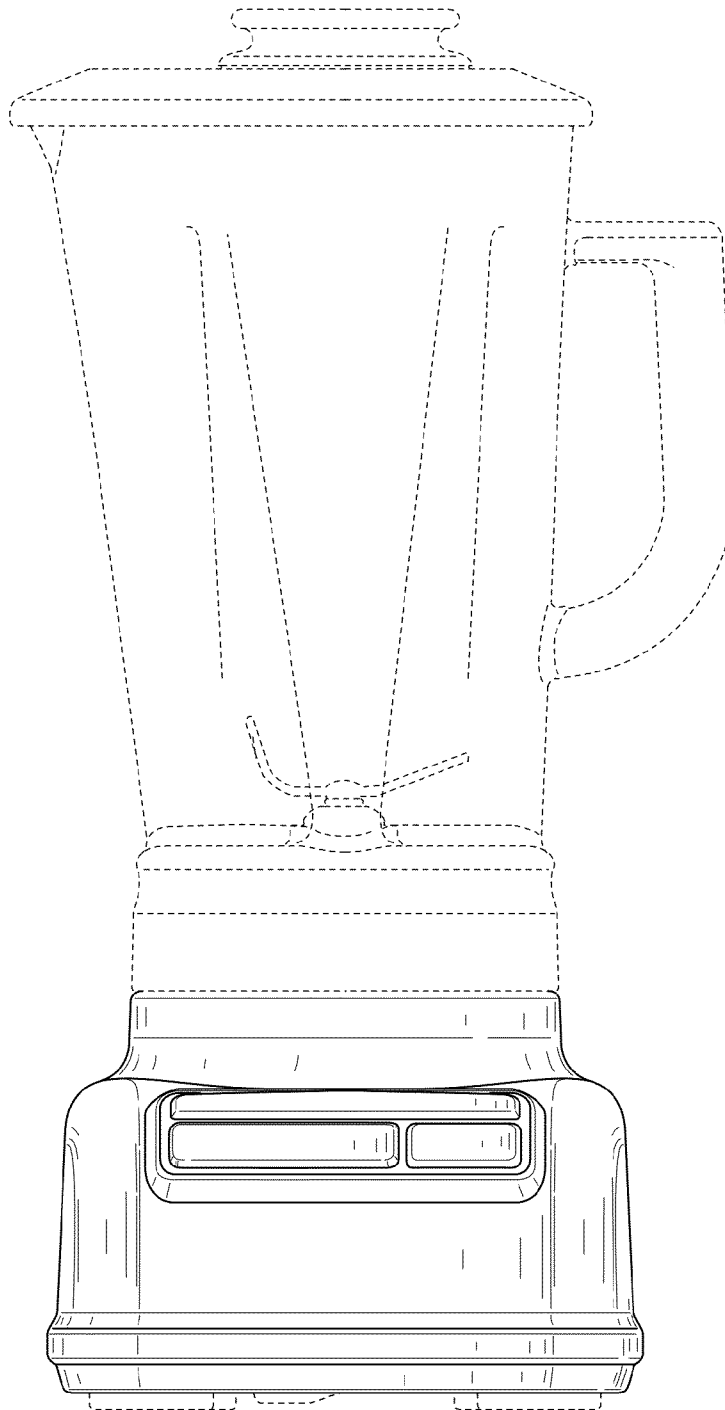


FIG. 2

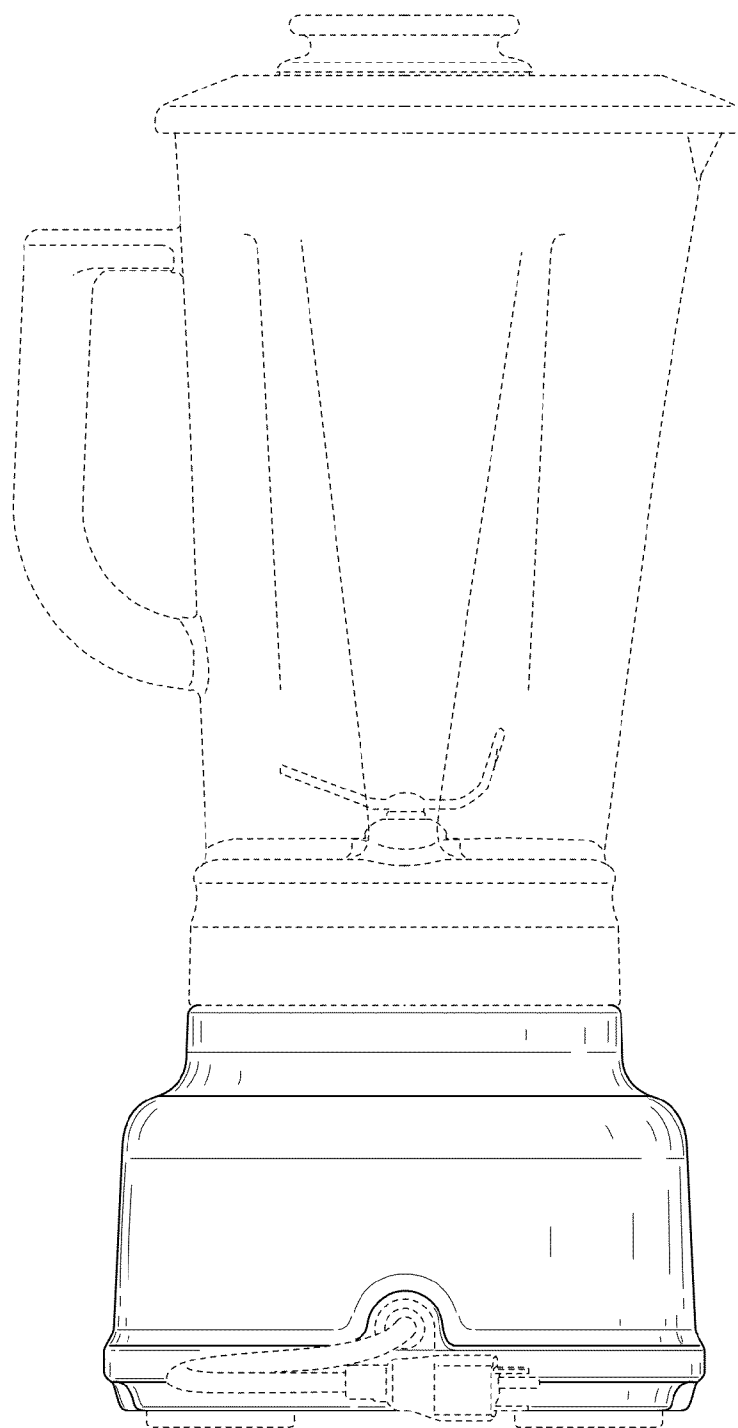


FIG. 3

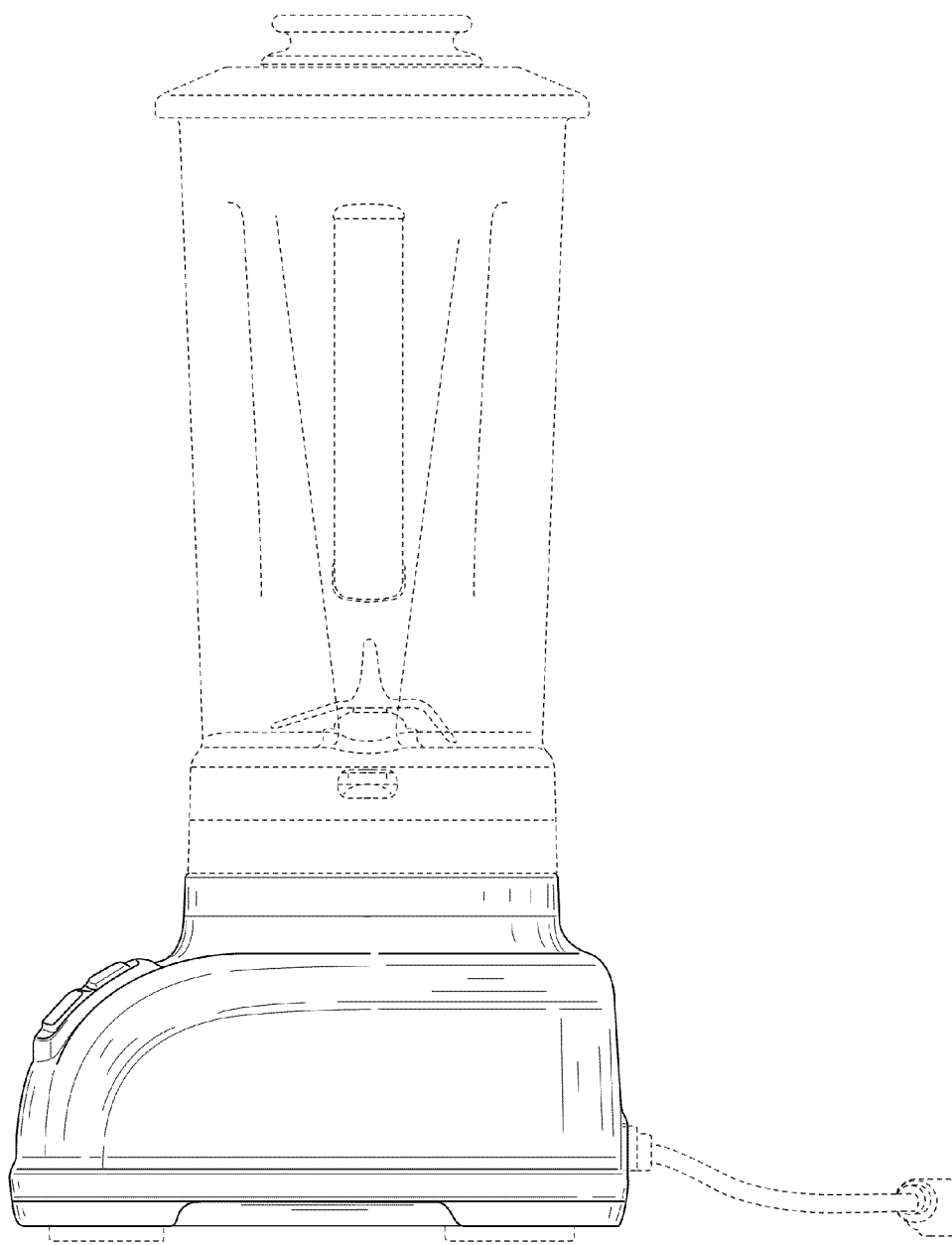


FIG. 4

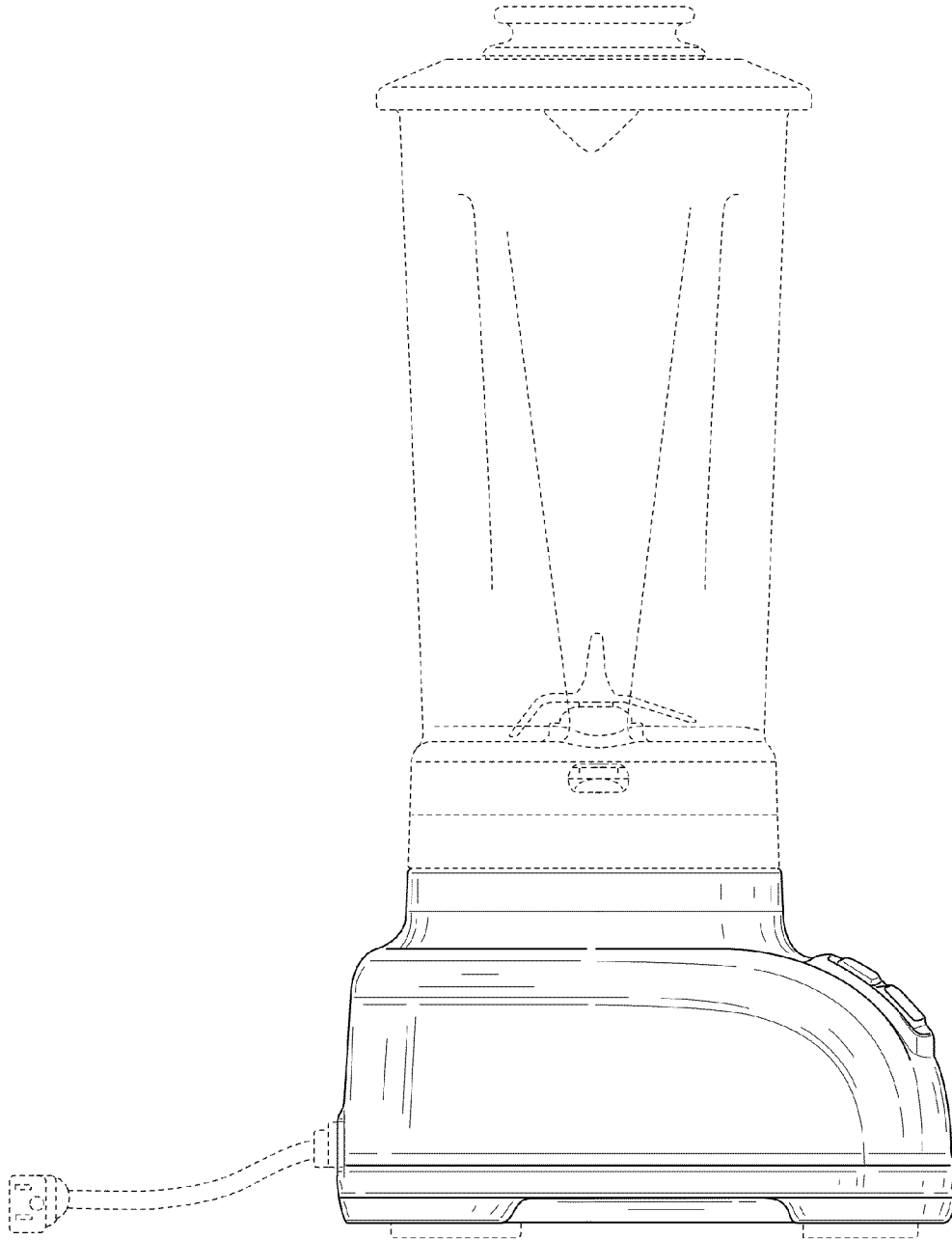


FIG. 5

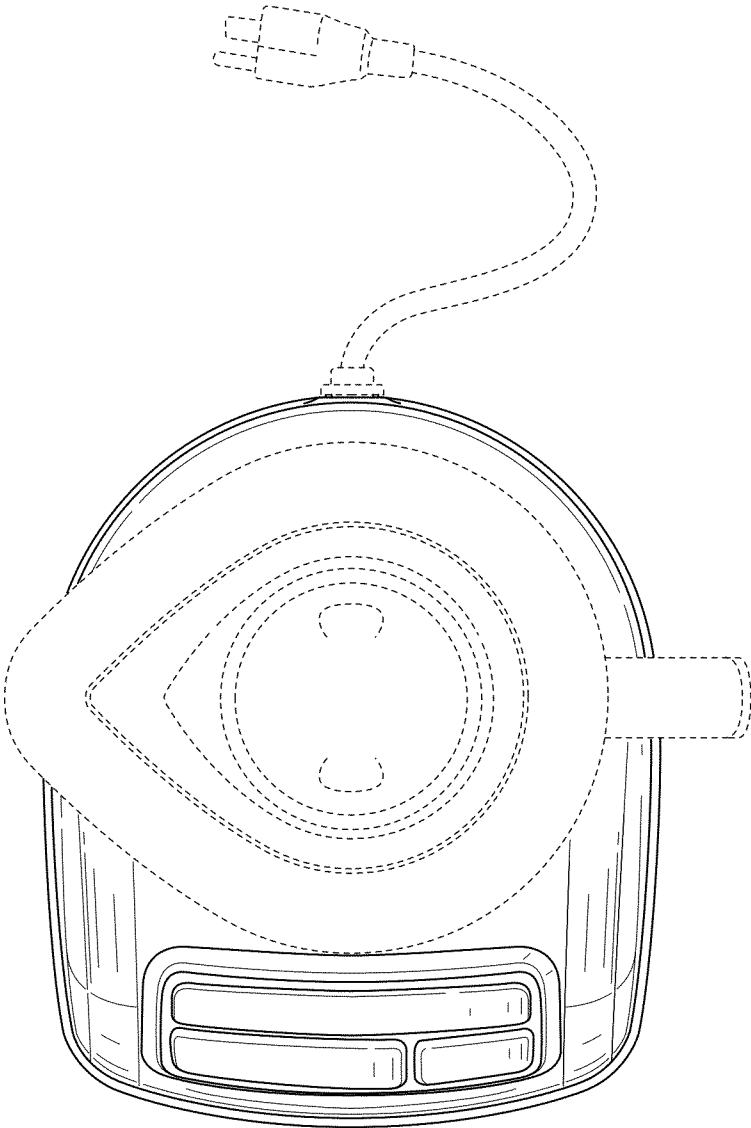


FIG. 6

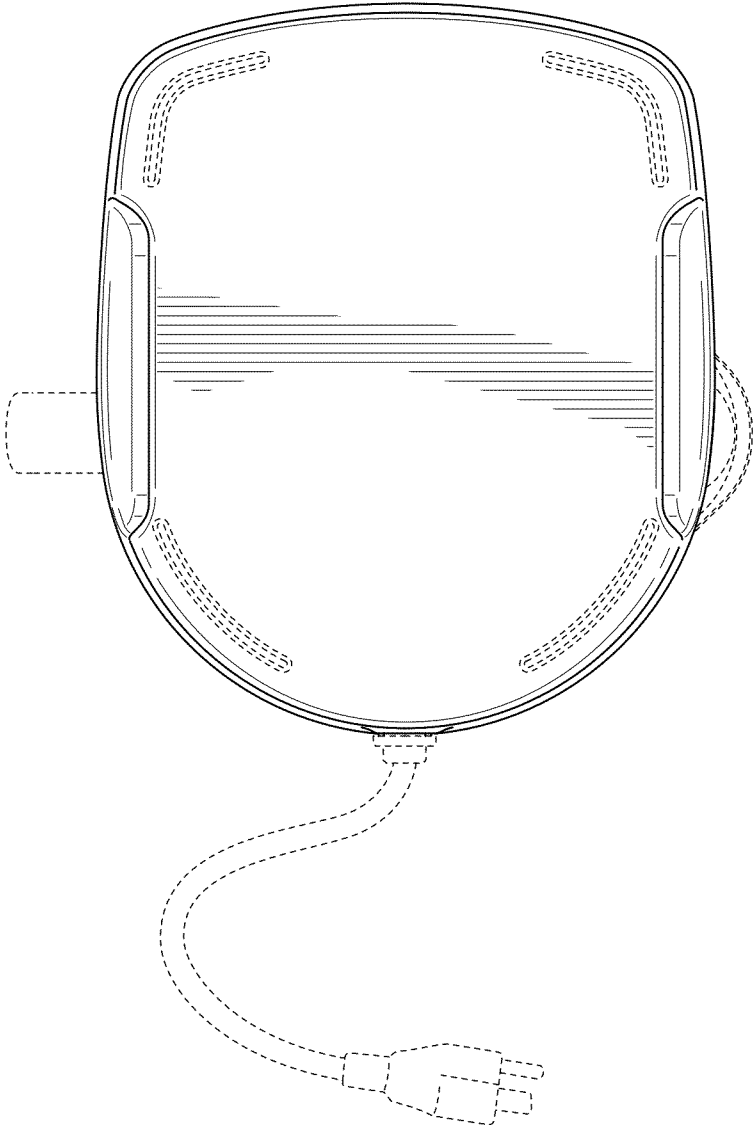


FIG. 7