



US00D803359S

(12) **United States Design Patent**  
**Schoenherr et al.**

(10) **Patent No.:** **US D803,359 S**

(45) **Date of Patent:** **\*\* Nov. 21, 2017**

(54) **FAUCET ASSEMBLY**

(71) Applicant: **Hansgrohe SE**, Schiltach (DE)

(72) Inventors: **Tom Schoenherr**, Stuttgart (DE);  
**Yunwei Zhu**, Stuttgart (DE); **Jonas Hänel**, Stuttgart (DE)

(73) Assignee: **Hansgrohe SE**, Schiltach (DE)

(\*\*) Term: **15 Years**

(21) Appl. No.: **29/585,598**

(22) Filed: **Nov. 28, 2016**

(30) **Foreign Application Priority Data**

May 31, 2016 (EM) ..... 003164383-0004

(51) **LOC (10) Cl.** ..... **23-01**

(52) **U.S. Cl.**

USPC ..... **D23/242**; D23/253

(58) **Field of Classification Search**

USPC ..... D23/238–242, 249–250, 252, 254–255,  
D23/257, 253; D8/307–308

CPC ..... Y10T 137/9464

See application file for complete search history.

(56) **References Cited**

**U.S. PATENT DOCUMENTS**

D464,403 S \* 10/2002 Haug ..... D23/238  
D541,908 S \* 5/2007 Haug ..... D23/253

D739,504 S \* 9/2015 Standefer ..... D23/255  
D795,393 S \* 8/2017 Fritz ..... D23/238  
D797,258 S \* 9/2017 Schaubach ..... D23/255  
D797,895 S \* 9/2017 Schaubach ..... D23/252

**FOREIGN PATENT DOCUMENTS**

CN 302726606 1/2014  
EM 002509364-0003 7/2014  
EM 002679761-0004 4/2015

\* cited by examiner

*Primary Examiner* — Robert A Delehanty

(74) *Attorney, Agent, or Firm* — Lora J. Graentzdoerffer

(57) **CLAIM**

The ornamental design for a faucet assembly, as shown and described.

**DESCRIPTION**

FIG. 1 is a perspective view of a faucet assembly showing our design;

FIG. 2 is a front elevation view;

FIG. 3 is a rear elevation view;

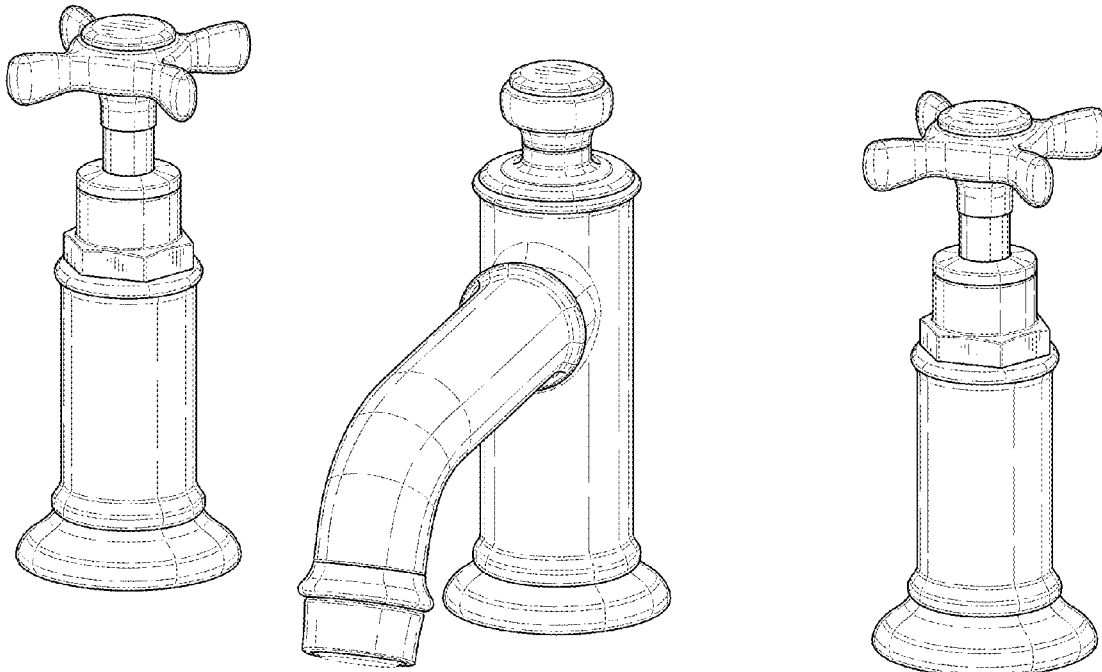
FIG. 4 is side elevation view;

FIG. 5 is a top plan view; and,

FIG. 6 is a bottom plan view.

The broken-line disclosure in the view represents a portion of the faucet assembly in which the claimed design is embodied, but which forms no part of the claimed design.

**1 Claim, 6 Drawing Sheets**



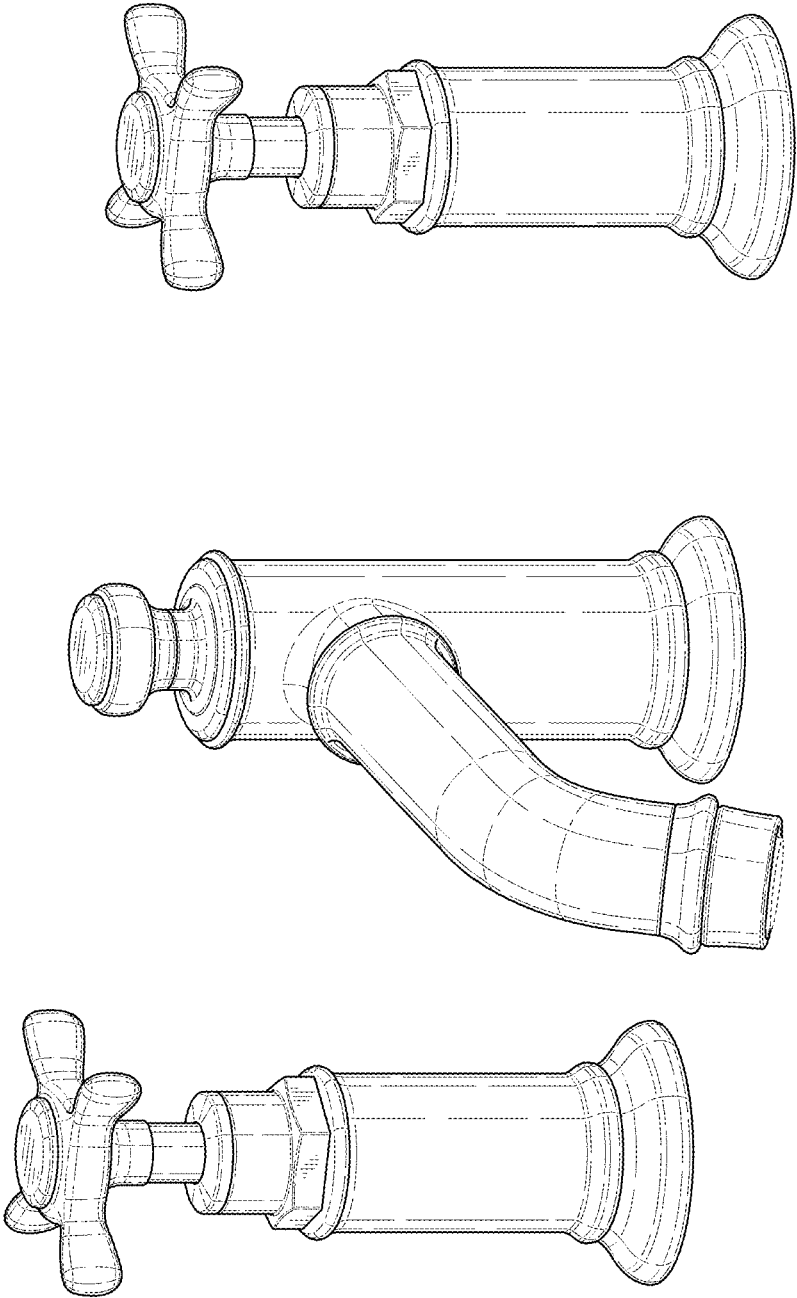


FIG. 1

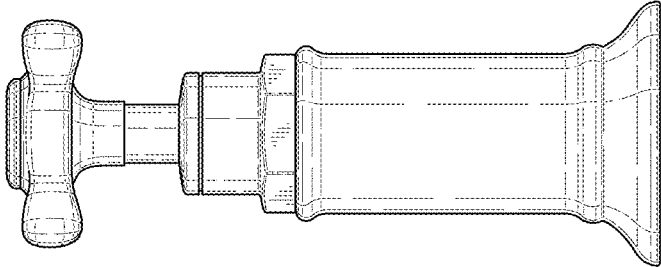
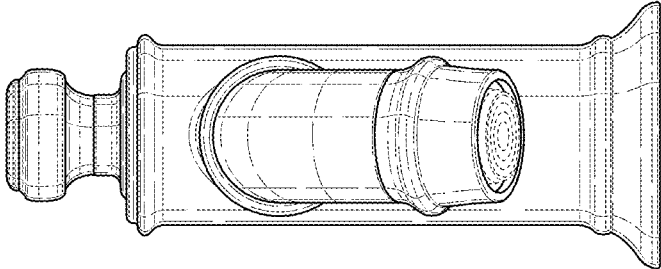
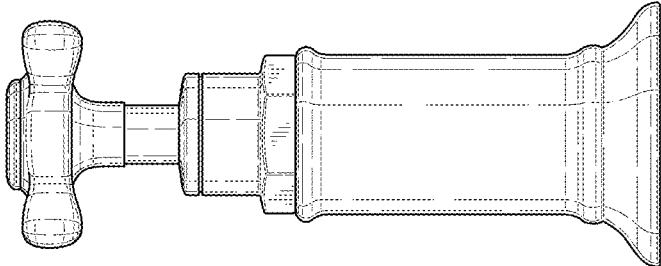


FIG. 2

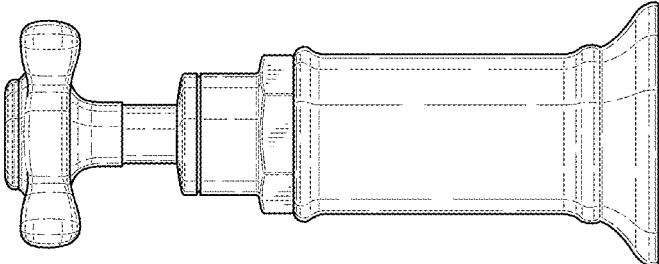
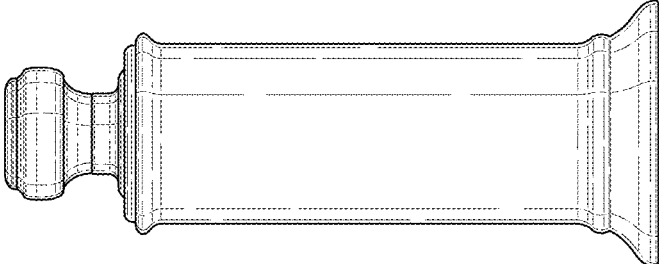
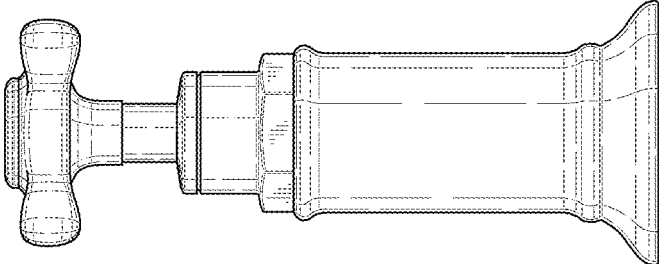


FIG. 3

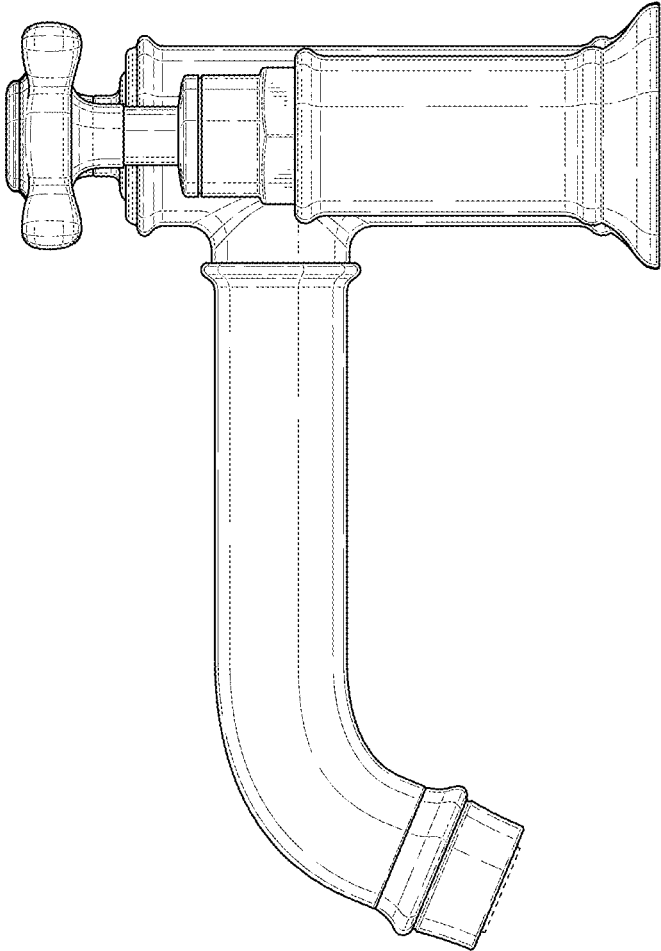


FIG. 4

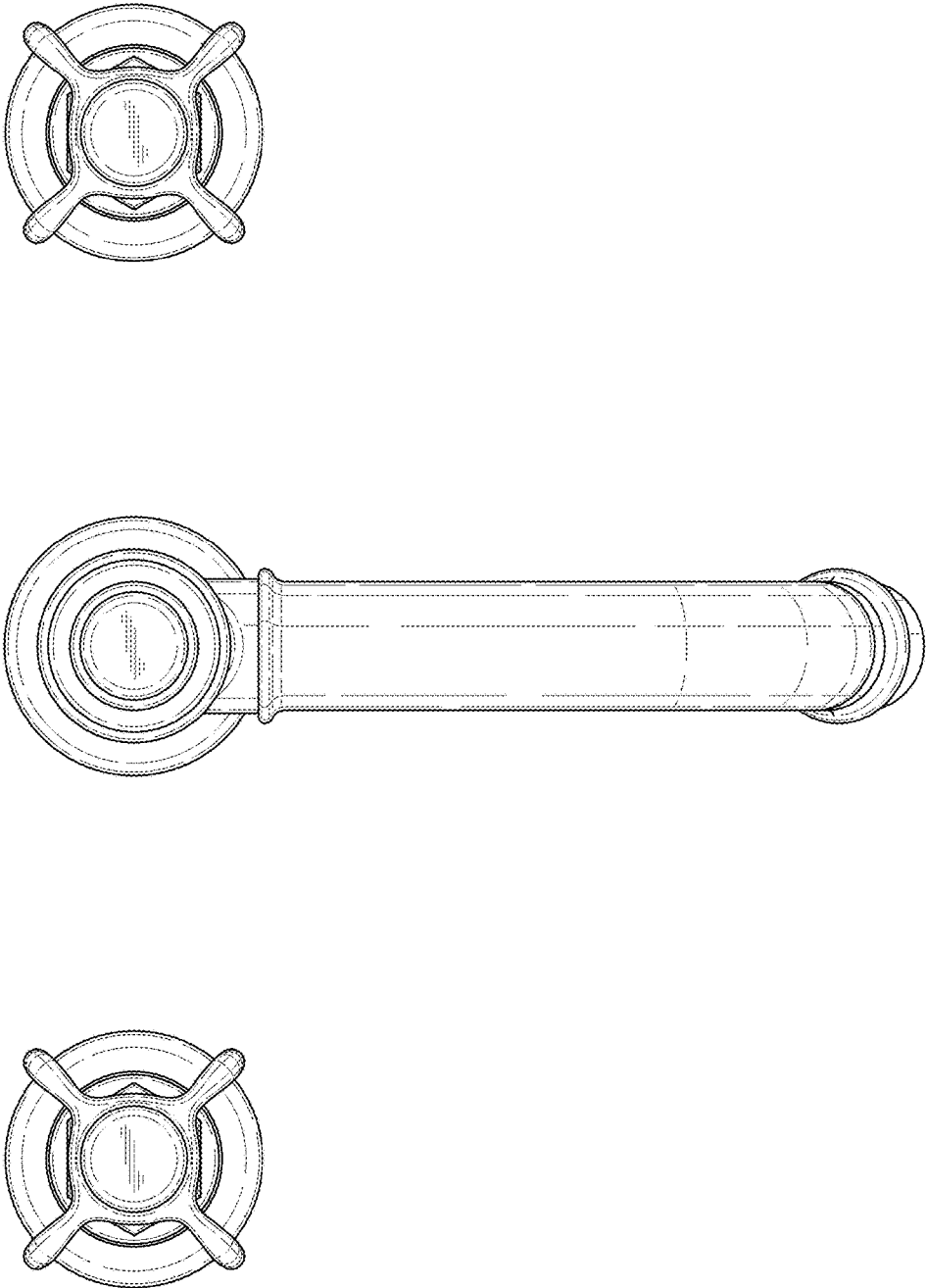


FIG. 5

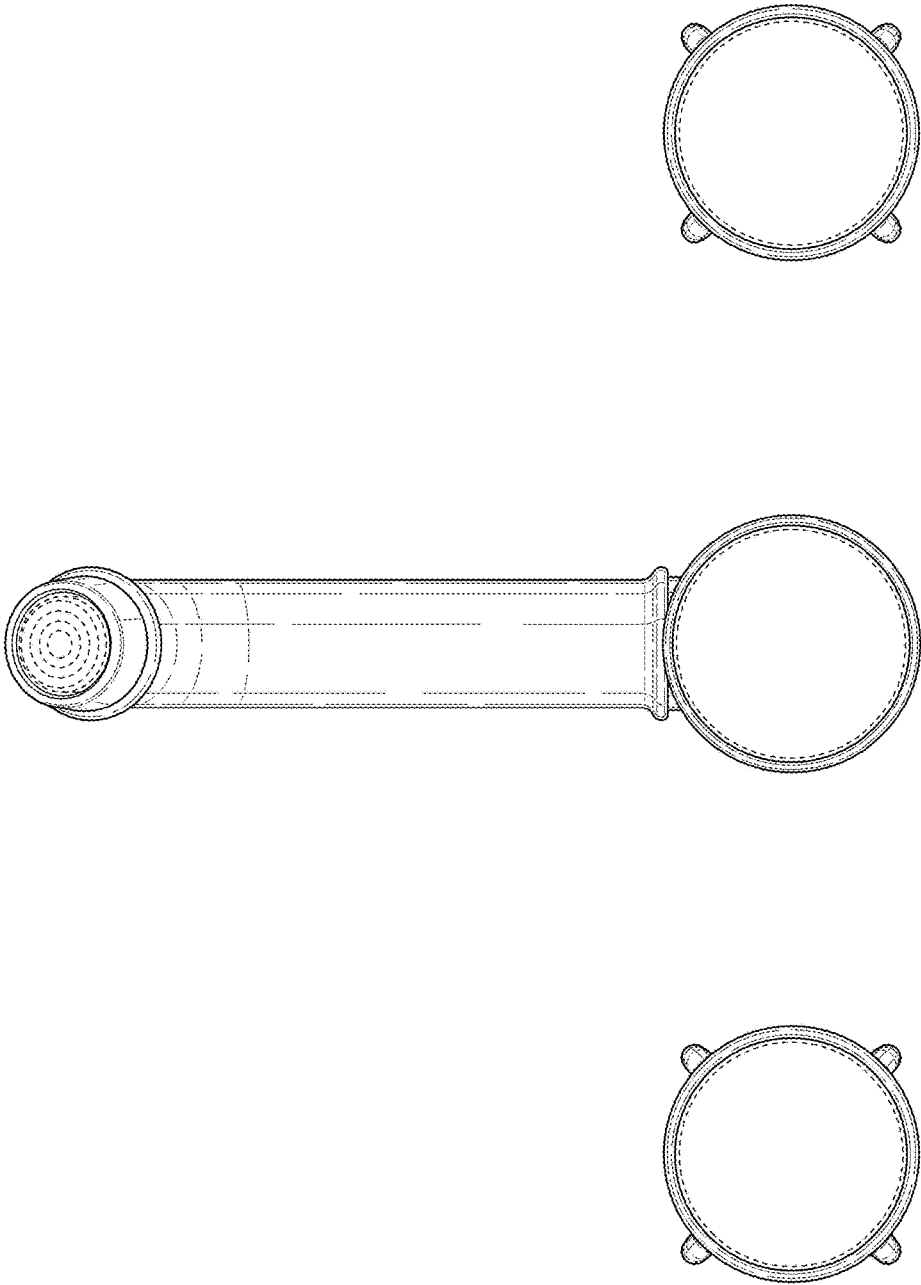


FIG. 6