



US00D894004S

(12) **United States Design Patent** (10) **Patent No.:** **US D894,004 S**
Aboabdo (45) **Date of Patent:** **** Aug. 25, 2020**

(54) **DISPENSER**

Primary Examiner — Dana Meyrow

(71) Applicant: **Chubby Gorilla, Inc.**, Fullerton, CA (US)

(74) *Attorney, Agent, or Firm* — Knobbe, Martens, Olson & Bear, LLP

(72) Inventor: **Ibrahiem H. Aboabdo**, Yorba Linda, CA (US)

(57) **CLAIM**

(73) Assignee: **Chubby Gorilla, Inc.**, Fullerton, CA (US)

The ornamental design for a dispenser, as shown and described herein.

(**) Term: **15 Years**

DESCRIPTION

(21) Appl. No.: **29/715,985**

(22) Filed: **Dec. 5, 2019**

(51) **LOC (12) Cl.** **09-01**

(52) **U.S. Cl.**

USPC **D9/503**; D9/443; D9/452; D9/454

(58) **Field of Classification Search**

USPC D9/434-435, 443, 444-445, 452, 454, D9/500, 503-504, 516, 529, 549, 558, D9/682, 690-691, 715, 719, 723-724; D3/203.2; D24/224; D27/183, 186, D27/189-191; D28/76, 88

CPC B65D 1/00; B65D 1/02; B65D 1/0223; B65D 23/00; B65D 51/32; B65D 2501/00; B65D 2501/0009

See application file for complete search history.

FIG. 1 is a top perspective view of a first embodiment of a dispenser embodying the new design.

FIG. 2 is a bottom perspective view thereof.

FIG. 3 is a front view thereof.

FIG. 4 is a rear view thereof.

FIG. 5 is a first side view thereof.

FIG. 6 is a second side view thereof.

FIG. 7 is a top view thereof.

FIG. 8 is a bottom view thereof.

FIG. 9 is an exploded perspective view thereof.

FIG. 10 is an exploded front view thereof.

FIG. 11 is a top perspective view of a second embodiment of a dispenser embodying the new design.

FIG. 12 is a bottom perspective view thereof.

FIG. 13 is a front view thereof.

FIG. 14 is a rear view thereof.

FIG. 15 is a first side view thereof.

FIG. 16 is a second side view thereof.

FIG. 17 is a top view thereof.

FIG. 18 is a bottom view thereof.

FIG. 19 is an exploded perspective view thereof; and,

FIG. 20 is an exploded front view thereof.

The broken lines in the drawings illustrate the portions of the dispenser that form no part of the claimed design. The second embodiment shows a symbolic break in the height of the dispenser. The break lines and any portion of the article between those break lines forms no part of the claim.

(56) **References Cited**

U.S. PATENT DOCUMENTS

2,968,826 A * 1/1961 Leshin A45D 34/041 401/214

3,242,522 A * 3/1966 Jass A45D 34/041 401/213

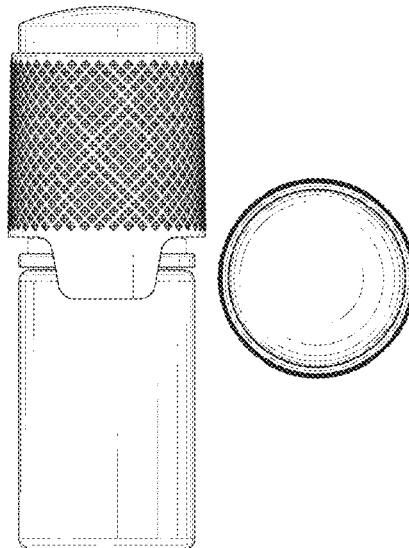
D225,398 S * 12/1972 David D24/224 (Continued)

OTHER PUBLICATIONS

U.S. Appl. No. 29/665,474, Bottle, filed Oct. 3, 2018.

(Continued)

1 Claim, 14 Drawing Sheets



(56)

References Cited

U.S. PATENT DOCUMENTS

4,221,495 A * 9/1980 Braun A45D 34/041
401/213
D328,244 S * 7/1992 Hamilton D24/110
D562,137 S * 2/2008 Florio D28/89
D590,661 S * 4/2009 Kitamura D7/510
D636,683 S * 4/2011 Floyd D9/688
D779,325 S * 2/2017 Vigoureux D7/601
D823,689 S * 7/2018 Durand D9/503
D826,068 S * 8/2018 Aboabdo D9/724
D827,450 S * 9/2018 Loukov D9/726
D850,913 S * 6/2019 Ke D9/452
D850,930 S * 6/2019 Wang D9/724
D854,929 S * 7/2019 Bacher A01G 31/02
D9/436
D878,215 S * 3/2020 Aboabdo D9/723

OTHER PUBLICATIONS

U.S. Appl. No. 29/661,407, Bottle, filed Aug. 27, 2018.
U.S. Appl. No. 29/680,038, Cap, filed Feb. 12, 2019.
U.S. Appl. No. 29/716,198, Dispenser, filed Dec. 6, 2019.

* cited by examiner

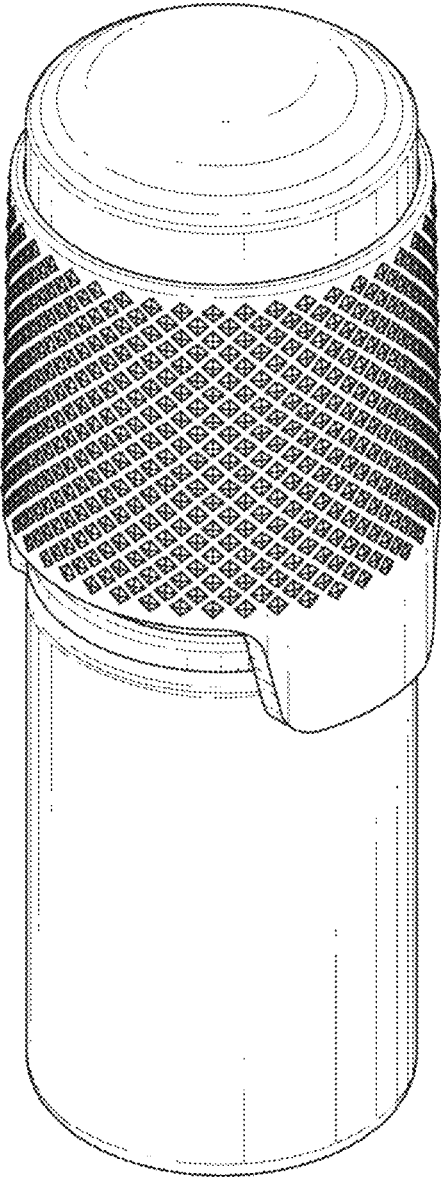


FIG. 1

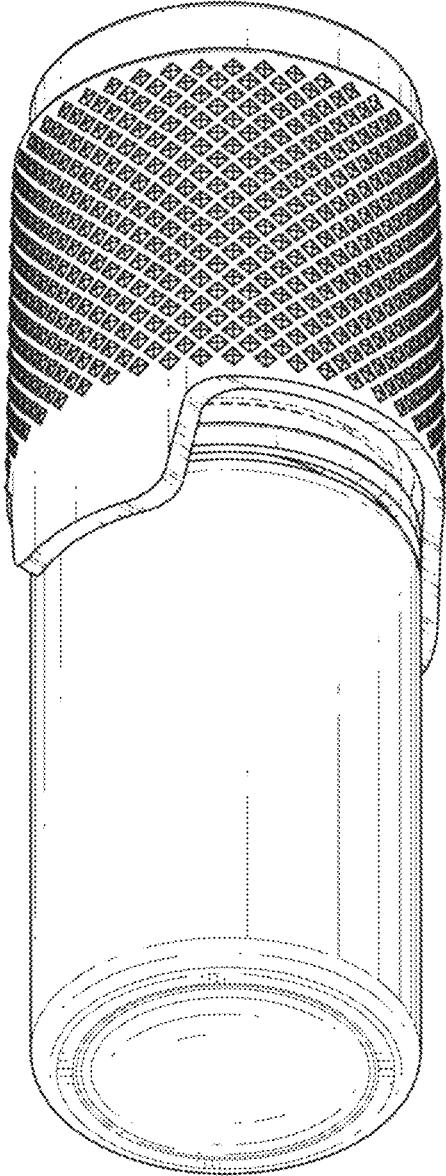


FIG. 2

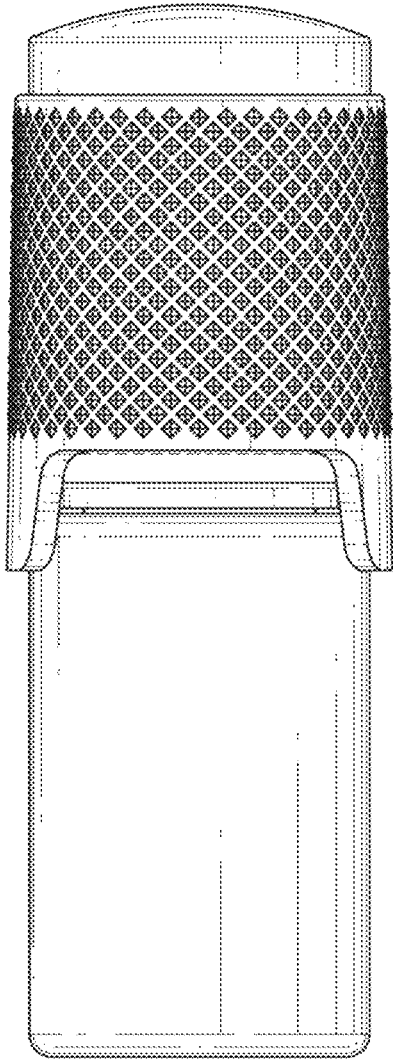


FIG. 3

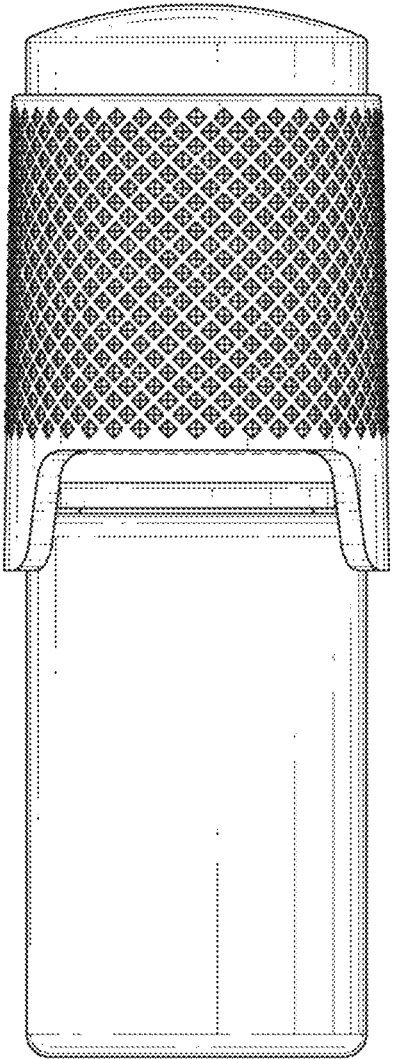


FIG. 4

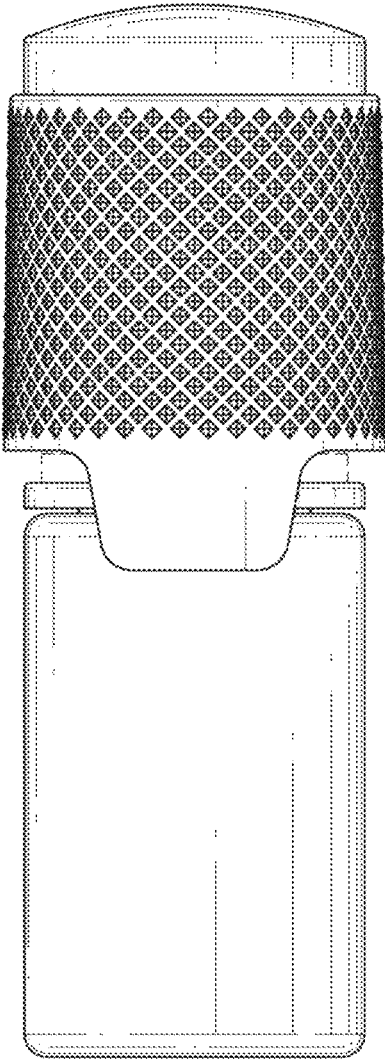


FIG. 5

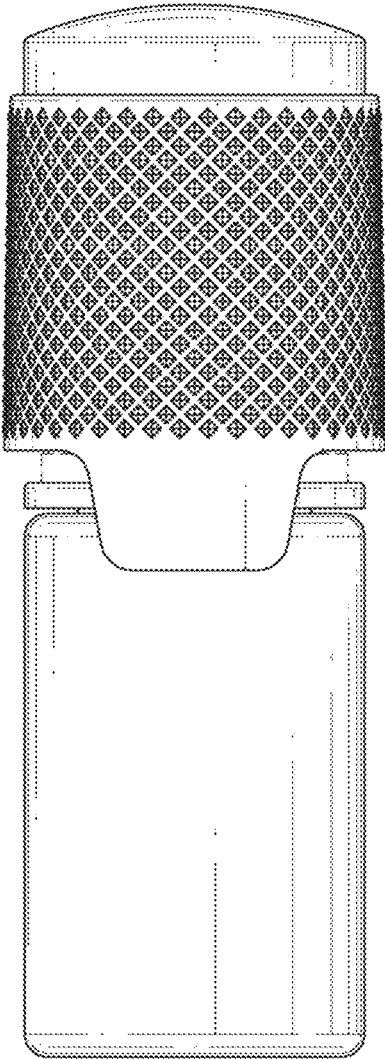


FIG. 6

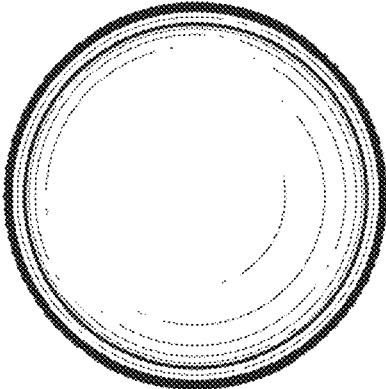


FIG. 7

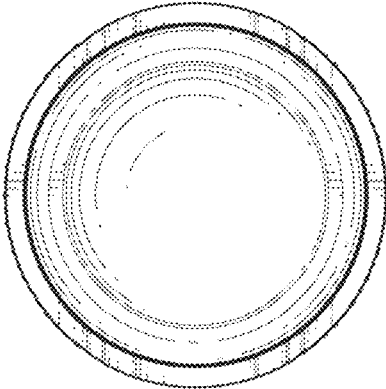


FIG. 8

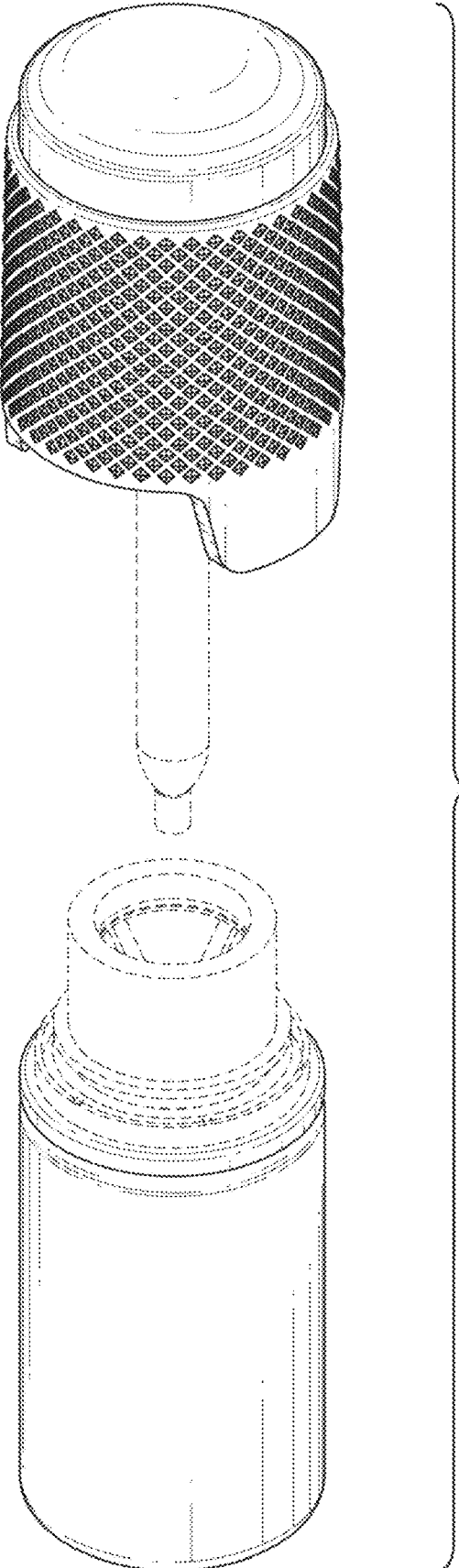


FIG. 9

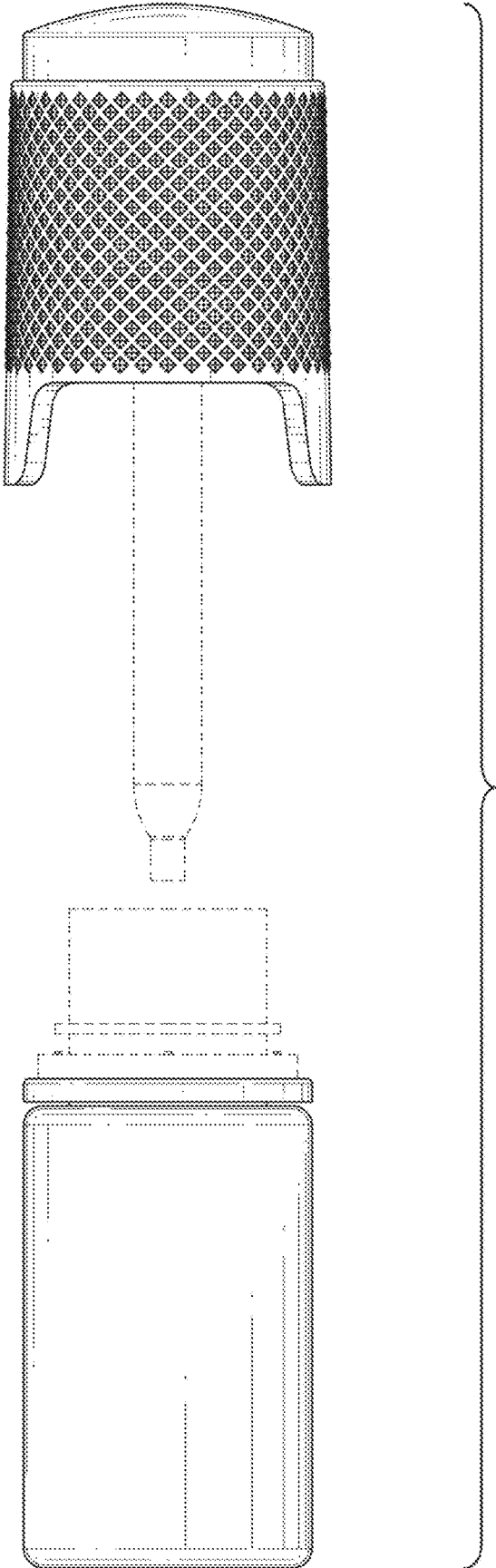


FIG. 10

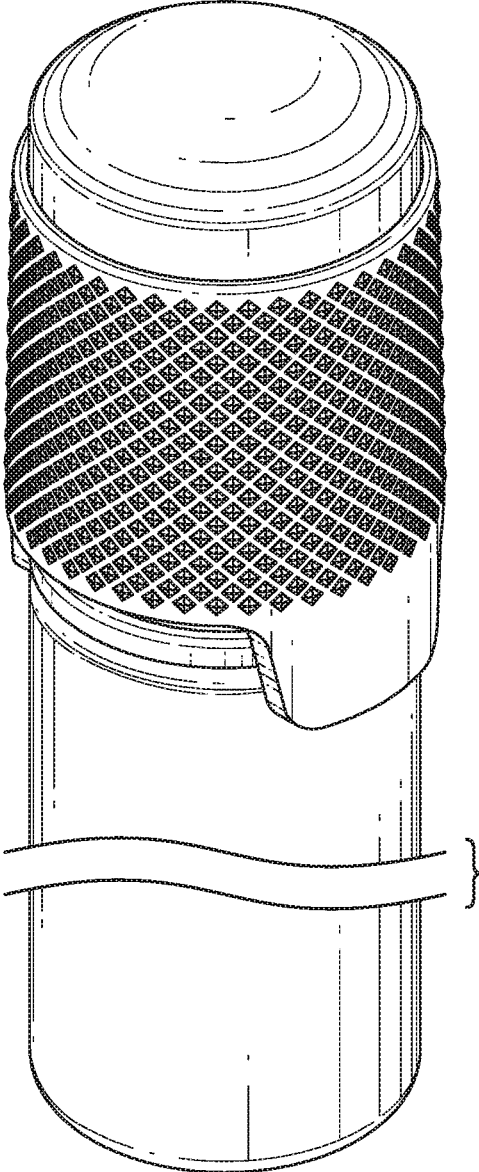


FIG. 11

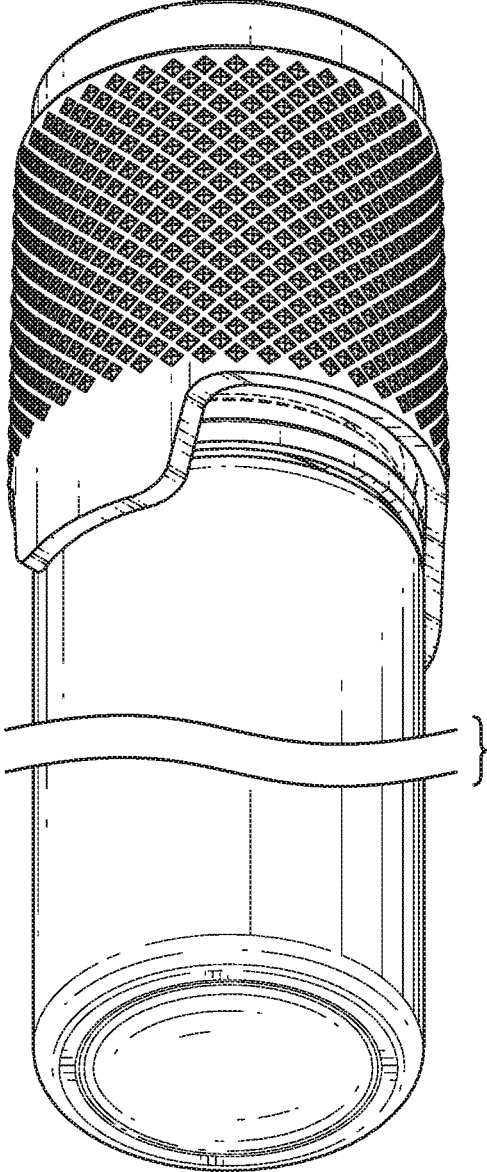


FIG. 12

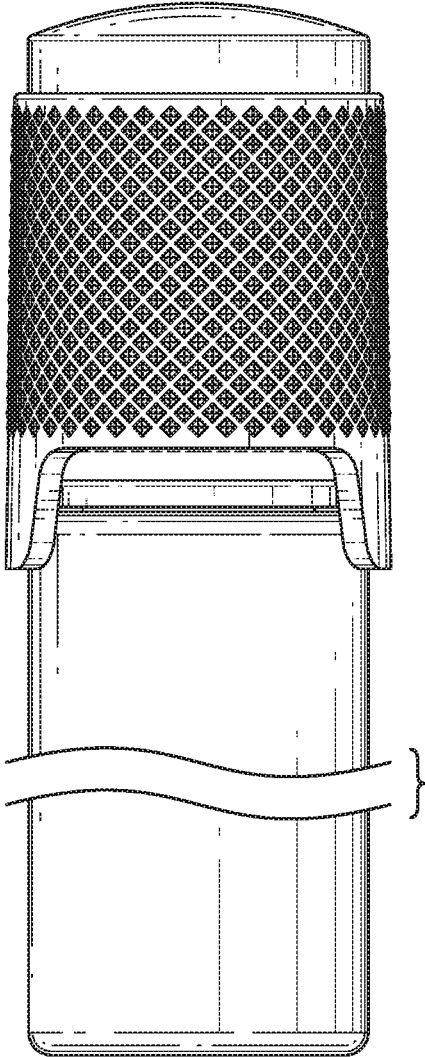


FIG. 13

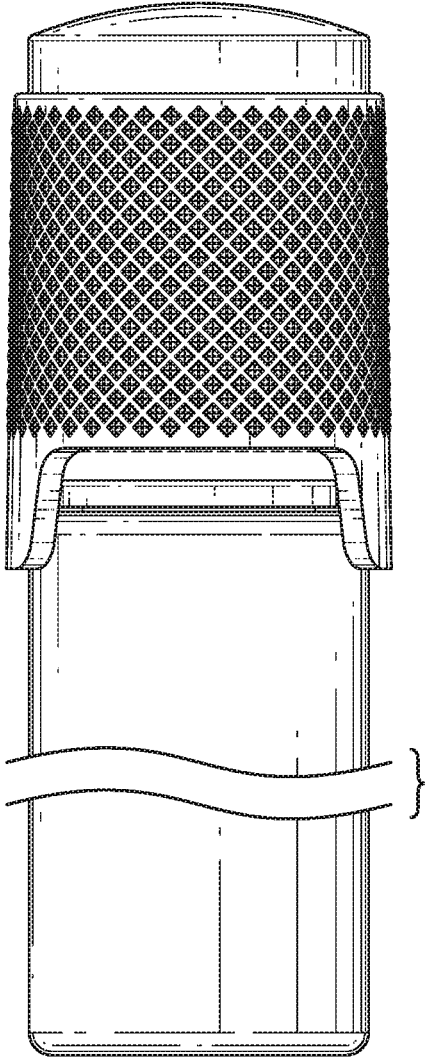


FIG. 14

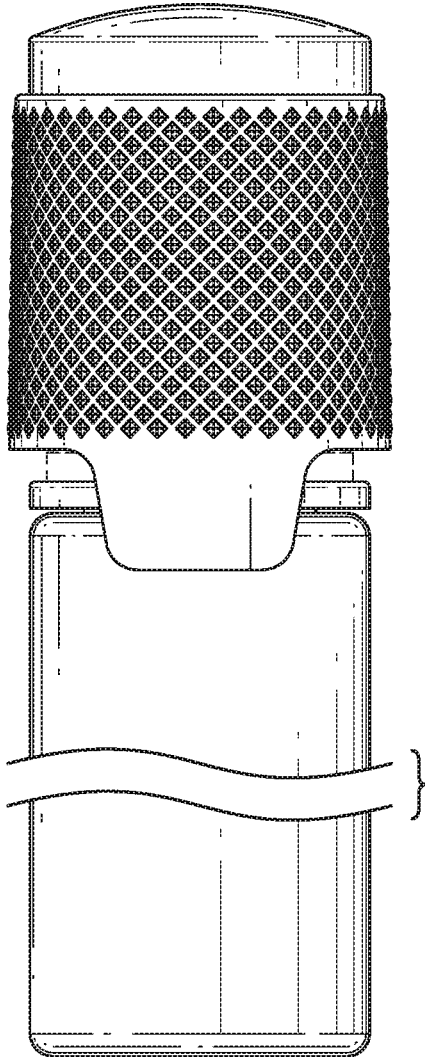


FIG. 15

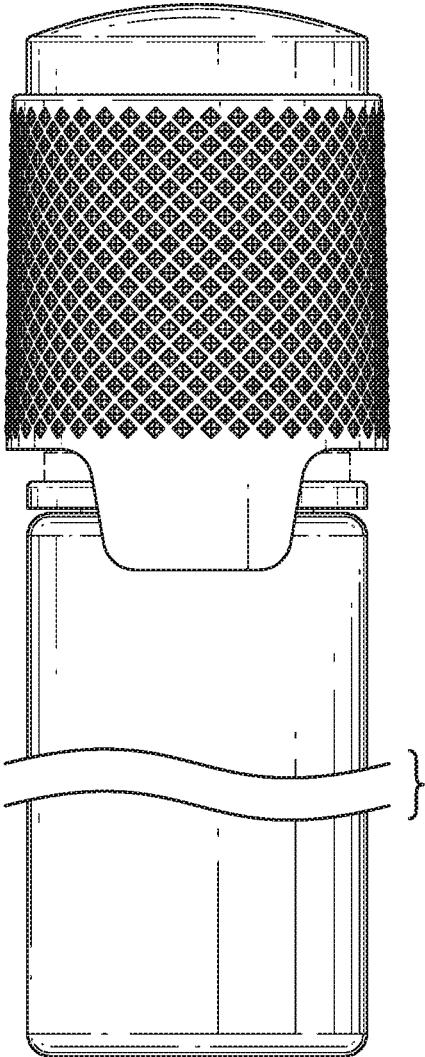


FIG. 16

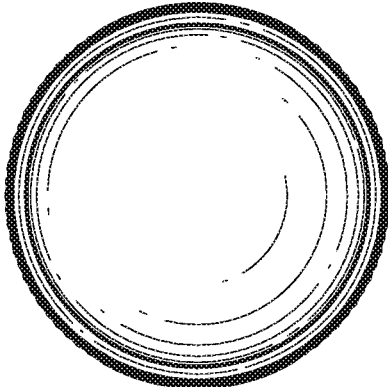


FIG. 17

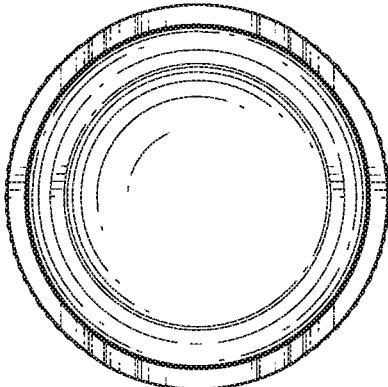


FIG. 18

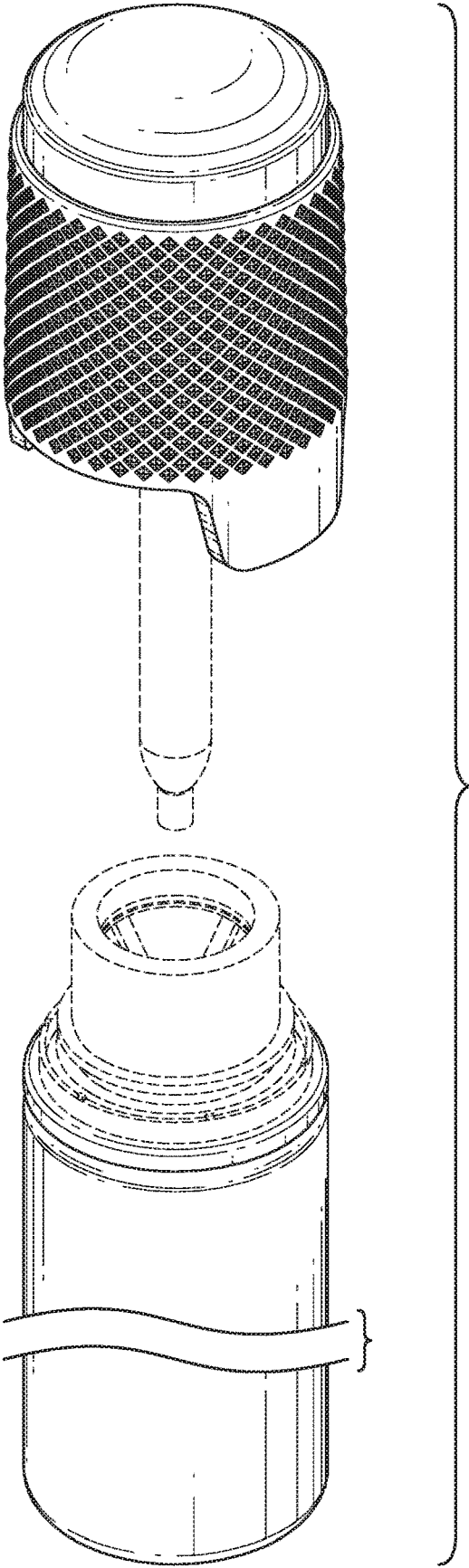


FIG. 19

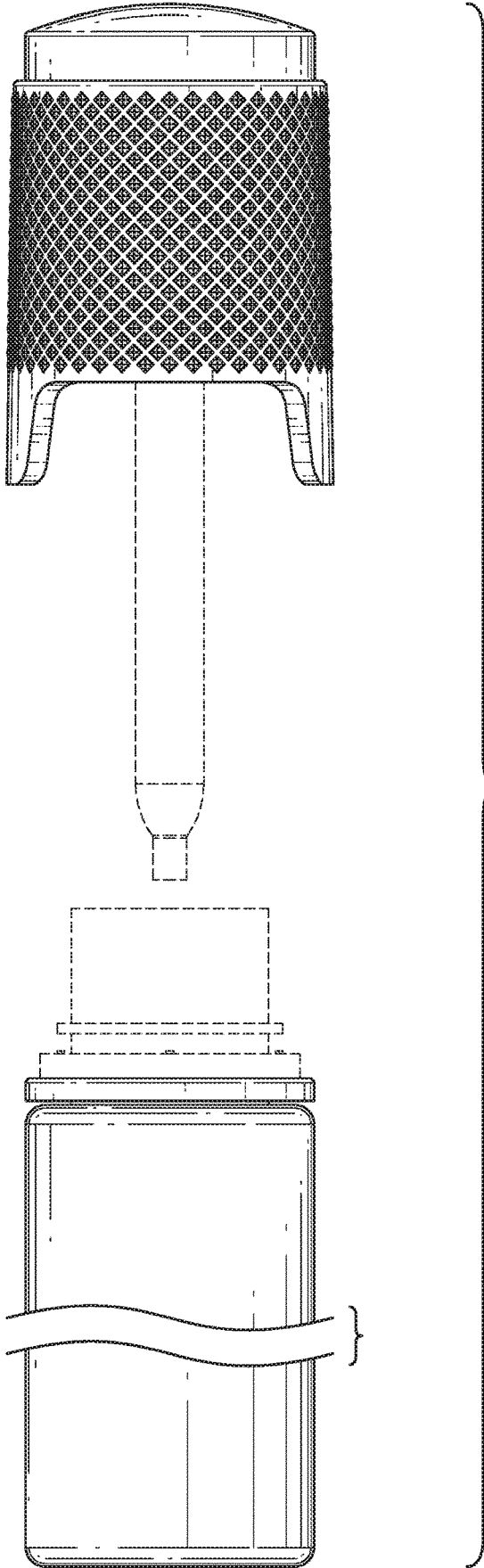


FIG. 20