



US00D676072S

(12) **United States Design Patent**
Cox et al.

(10) **Patent No.:** **US D676,072 S**

(45) **Date of Patent:** **** Feb. 12, 2013**

(54) **CUTTING TOOL**

(75) Inventors: **William W. Cox**, Louisville, KY (US);
George Sotsky, Louisville, KY (US)

(73) Assignee: **Republic Machine, Inc.**, Louisville, KY (US)

(**) Term: **14 Years**

(21) Appl. No.: **29/411,803**

(22) Filed: **Jan. 26, 2012**

| | | | |
|----------------|---------|-----------------|-----------|
| 5,653,274 A | 8/1997 | Johnson et al. | |
| 5,653,275 A * | 8/1997 | Stewart | 144/373 |
| D409,633 S | 5/1999 | Bernadic et al. | |
| 6,035,844 A | 3/2000 | Otani et al. | |
| 6,059,210 A * | 5/2000 | Smith | 241/189.1 |
| 6,142,400 A * | 11/2000 | Balvanz et al. | 241/191 |
| 6,158,928 A | 12/2000 | Hecht | |
| 6,176,445 B1 | 1/2001 | Shinn | |
| 6,234,724 B1 | 5/2001 | Satran et al. | |
| 6,305,623 B1 | 10/2001 | Sotsky et al. | |
| 6,422,495 B1 | 7/2002 | De Boef et al. | |
| 6,523,768 B2 | 2/2003 | Recker et al. | |
| 6,640,853 B1 | 11/2003 | Sun | |
| 6,698,477 B1 | 3/2004 | Bennington | |
| 6,742,970 B2 * | 6/2004 | Oles et al. | 407/113 |
| 6,837,453 B2 | 1/2005 | Sturm | |

(Continued)

Related U.S. Application Data

(63) Continuation-in-part of application No. 29/394,066, filed on Jun. 13, 2011, which is a continuation of application No. 13/111,468, filed on May 19, 2011, which is a continuation-in-part of application No. 12/488,166, filed on Jun. 19, 2009, now Pat. No. 7,959,099.

(51) **LOC (9) Cl.** **15-09**

(52) **U.S. Cl.** **D15/139**

(58) **Field of Classification Search** D8/70;
D15/138, 139, 140; 407/35, 42, 77, 107-120
See application file for complete search history.

FOREIGN PATENT DOCUMENTS

DE 4005647 A1 8/1990

Primary Examiner — Patricia Palasik

(74) *Attorney, Agent, or Firm* — Middleton Reutlinger; James E. Cole

(57) **CLAIM**

The ornamental design for a cutting tool, as shown and described.

DESCRIPTION

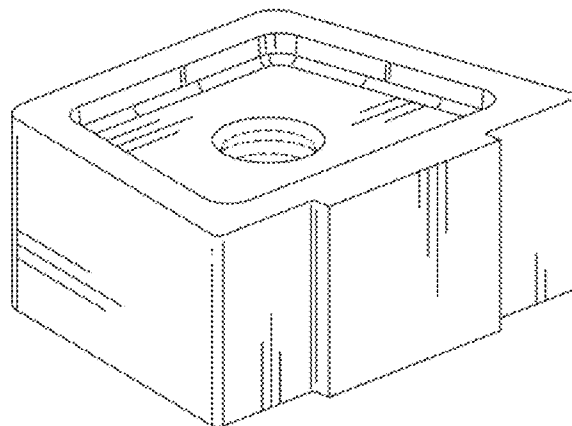
FIG. 1 is a lower front perspective view of the cutting tool design;
FIG. 2 is an upper rear perspective view of the cutting tool design of FIG. 1;
FIG. 3 is a front view of the cutting tool design of FIG. 1 wherein the rear view is a mirror image and is not included;
FIG. 4 is a left side view of the cutting tool design of FIG. 1 wherein the right side view is a mirror image and is not included;
FIG. 5 is a top view of the cutting tool design of FIG. 1; and
FIG. 6 is a bottom view of the cutting tool design of FIG. 1. The broken lines showing environmental structure are for illustrative purposes only and form no part of the claimed design.

1 Claim, 6 Drawing Sheets

(56) **References Cited**

U.S. PATENT DOCUMENTS

| | | | |
|---------------|---------|------------------|--------|
| 2,660,242 A | 11/1953 | Lane | |
| 3,662,444 A | 5/1972 | Erkfritz | |
| 3,694,876 A | 10/1972 | Erkfritz | |
| 3,716,900 A | 2/1973 | Erkfritz | |
| 3,818,561 A * | 6/1974 | Montana et al. | 407/46 |
| 4,247,232 A | 1/1981 | McCreery et al. | |
| 4,507,024 A | 3/1985 | Stashko | |
| 4,785,860 A | 11/1988 | Arasmith | |
| 5,192,171 A | 3/1993 | Ther et al. | |
| 5,199,827 A | 4/1993 | Pantzar | |
| 5,207,748 A | 5/1993 | Katbi et al. | |
| D340,464 S | 10/1993 | Markusson et al. | |
| 5,454,671 A * | 10/1995 | Qvarth | 407/42 |
| D367,866 S | 3/1996 | Pantzar et al. | |
| D369,362 S | 4/1996 | Pantzar et al. | |
| 5,544,984 A | 8/1996 | Pantzar | |



US D676,072 S

Page 2

| U.S. PATENT DOCUMENTS | | | | | | |
|-----------------------|------|---------|----------------------------|------|--------------|---------------------------------|
| | | | 7,874,770 | B2 * | 1/2011 | Omori et al. 407/119 |
| | | | D635,598 | S * | 4/2011 | Widin et al. D15/139 |
| 6,848,640 | B2 | 2/2005 | Pallmann | | | |
| 6,880,774 | B2 | 4/2005 | Bardos et al. | | | |
| 6,983,904 | B2 | 1/2006 | Plahuta et al. | | | |
| | | | 2002/0031410 | A1 * | 3/2002 | Isaksson 407/114 |
| 7,055,770 | B2 | 6/2006 | Bardos | | 4/2003 | Sotsky |
| 7,100,855 | B2 | 9/2006 | Diemunsch | | 2/2004 | Englund 407/90 |
| 7,213,779 | B2 | 5/2007 | Roozeboom et al. | | 6/2005 | Kammermeier et al. 409/132 |
| D555,684 | S | 11/2007 | Waggle et al. | | 5/2006 | Garcia et al. |
| 7,293,729 | B2 | 11/2007 | Ragnarsson | | 2009/0008491 | A1 1/2009 Sharp |
| 7,390,151 | B2 | 6/2008 | Martin et al. | | | |
| 7,572,087 | B2 * | 8/2009 | Nagaya et al. 407/113 | | | |
| | | | | | | * cited by examiner |

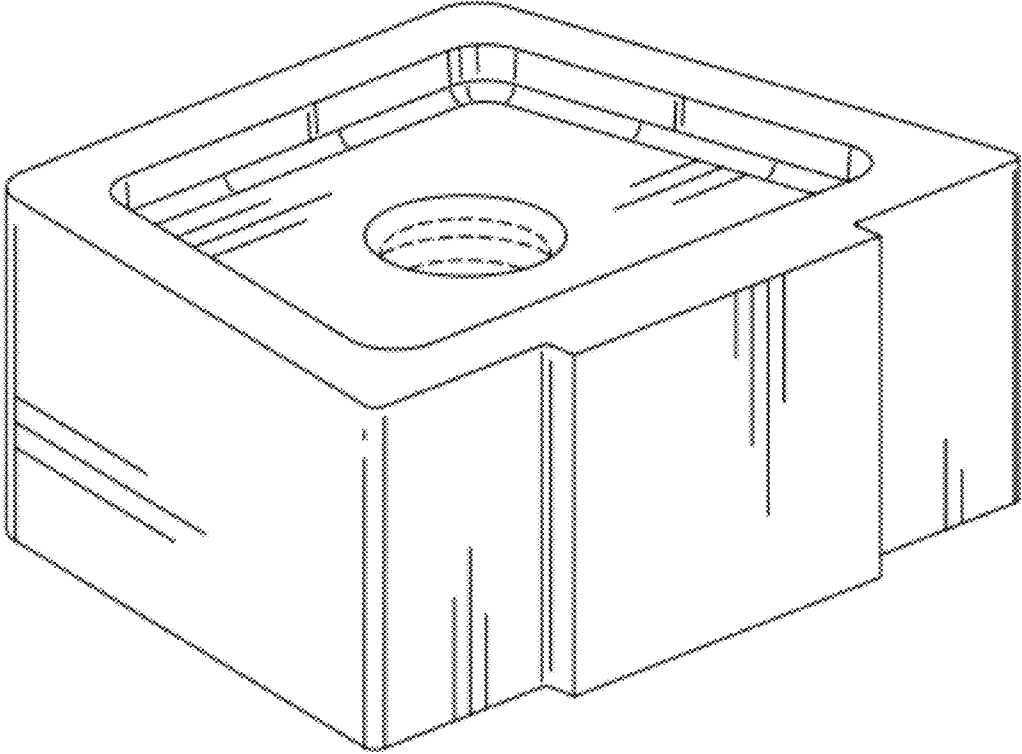


FIG. 1

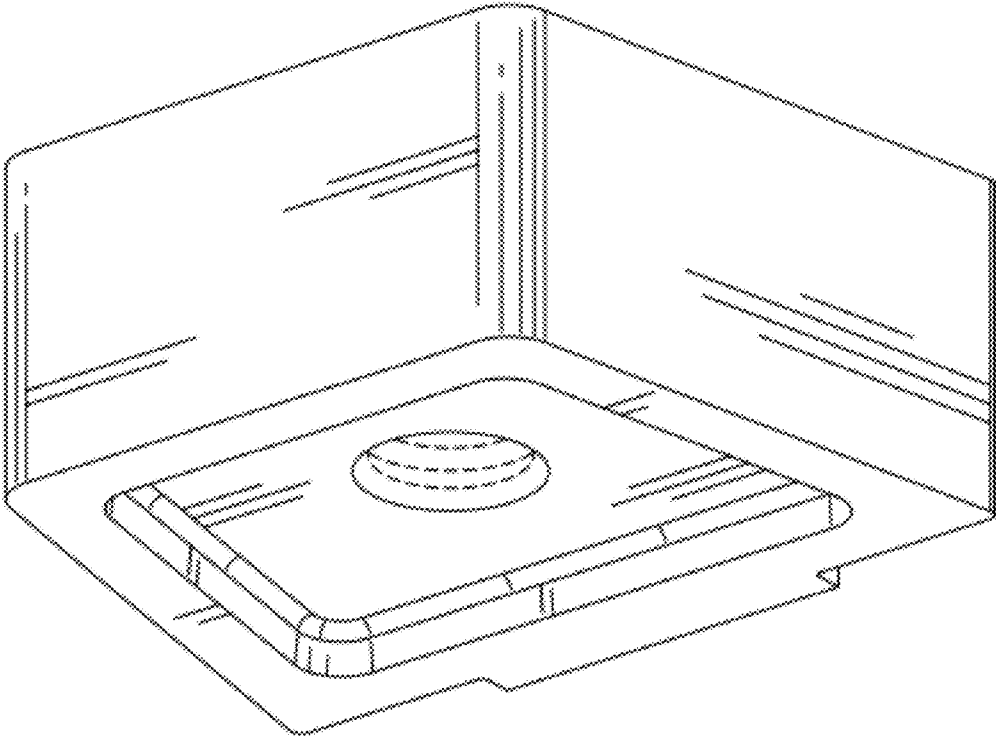


FIG. 2

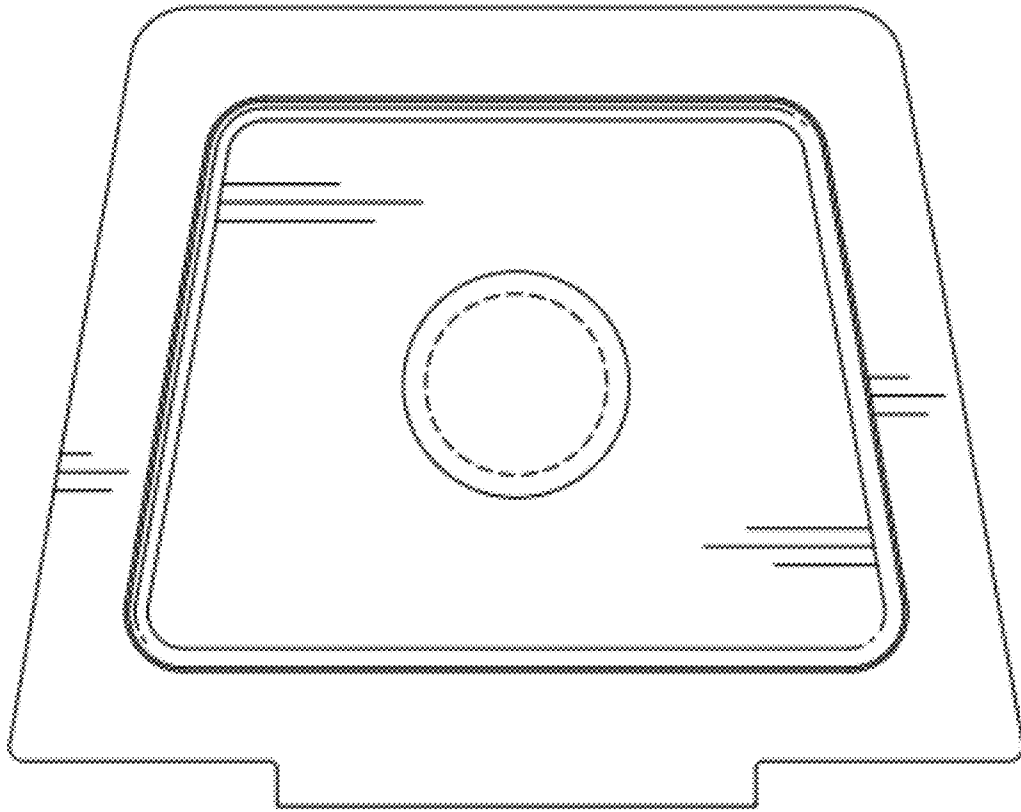


FIG. 3

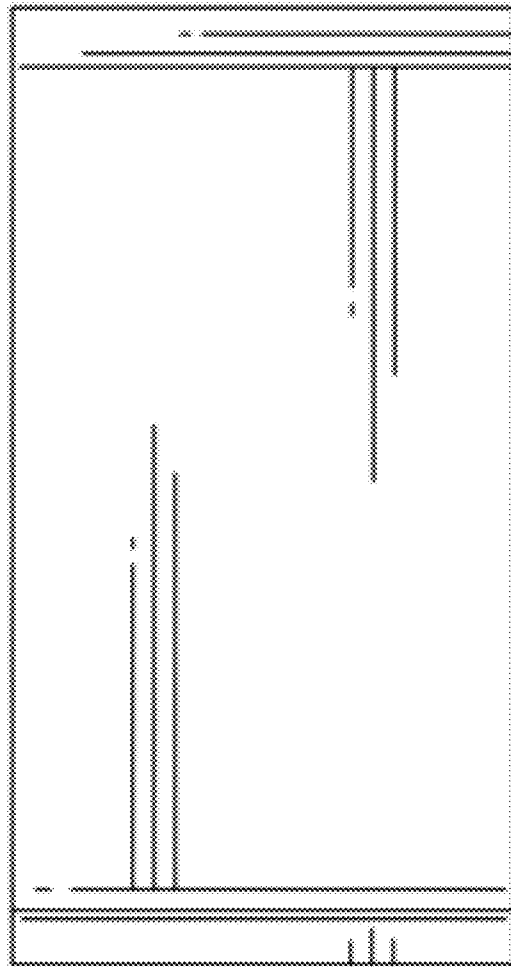


FIG. 4



FIG. 5

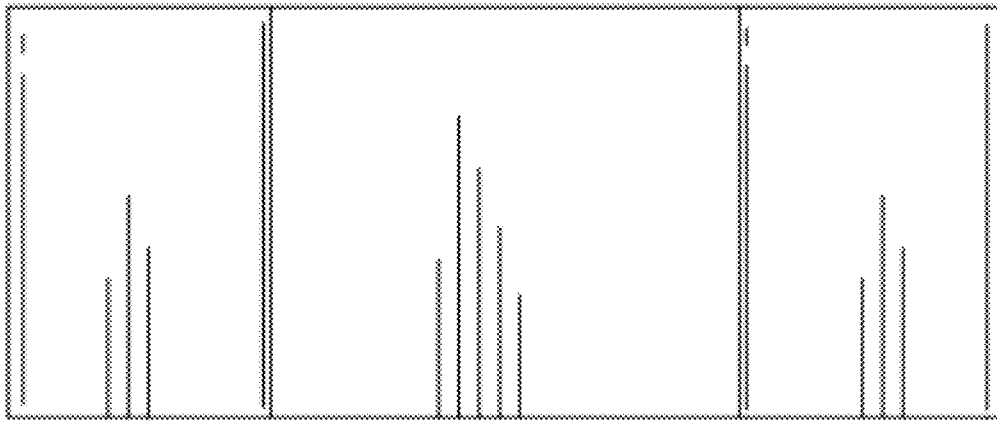


FIG. 6