



US0D1019896S

(12) **United States Design Patent**
Yang

(10) **Patent No.:** **US D1,019,896 S**

(45) **Date of Patent:** **** Mar. 26, 2024**

- (54) **SPRAY GUN**
- (71) Applicant: **Zhejiang Prulde Electric Appliance Co., Ltd., Zhejiang (CN)**
- (72) Inventor: **Weiming Yang, Zhejiang (CN)**
- (73) Assignee: **Zhejiang Prulde Electric Appliance Co., Ltd., Zhejiang (CN)**
- (**) Term: **15 Years**
- (21) Appl. No.: **29/820,856**
- (22) Filed: **Dec. 24, 2021**

D809,099 S *	1/2018	Tullney	D23/225
D828,495 S *	9/2018	Mazur	D23/225
D947,992 S *	4/2022	Yang	D23/226
D963,797 S *	9/2022	Yang	D23/226
D969,968 S *	11/2022	Yang	D23/226
D973,843 S *	12/2022	Ibele	D23/226

(Continued)

(30) **Foreign Application Priority Data**

Aug. 20, 2021 (CN) 202130543957.1

(51) **LOC (14) Cl.** **23-01**

(52) **U.S. Cl.**
USPC **D23/226**

(58) **Field of Classification Search**
USPC D23/200, 213, 223, 226, 229, 235
CPC .. B05B 9/01; B05B 9/03; B05B 12/00; B05B 12/0026; B08B 3/026; B08B 3/028; B08B 2203/0282

See application file for complete search history.

(56) **References Cited**

U.S. PATENT DOCUMENTS

D449,672 S *	10/2001	Chen	D23/226
D461,226 S *	8/2002	Hunter	D23/225
D467,991 S *	12/2002	Ibele	D23/225
D519,603 S *	4/2006	Schumann	D23/225
D615,614 S *	5/2010	Tullney	D23/225
D664,628 S *	7/2012	Zhou	D23/225
D693,428 S *	11/2013	Tullney	D23/225
D713,500 S *	9/2014	Muhl	D23/225
D723,659 S *	3/2015	Tullney	D23/225
D757,897 S *	5/2016	Tullney	D23/223
D796,004 S *	8/2017	Yang	D23/225

OTHER PUBLICATIONS

Neu Master Electric Spray Gun. Amazon Standard ID# B09LTWYV91. Catalogue [Online]. Amazon.com 2022. [Earliest Review Date: Jul. 27, 2022][Retrieved on Oct. 28, 2023]. Retrieved from the Internet: <URL:https://www.amazon.com/Upgraded-NEU-MASTER-Electric-Container/dp/B09LTWYV91> (Year: 2022).*

Primary Examiner — Janice Hallmark
Assistant Examiner — Adedoyin Taiwo Odeyale
(74) *Attorney, Agent, or Firm* — JCIP GLOBAL INC.

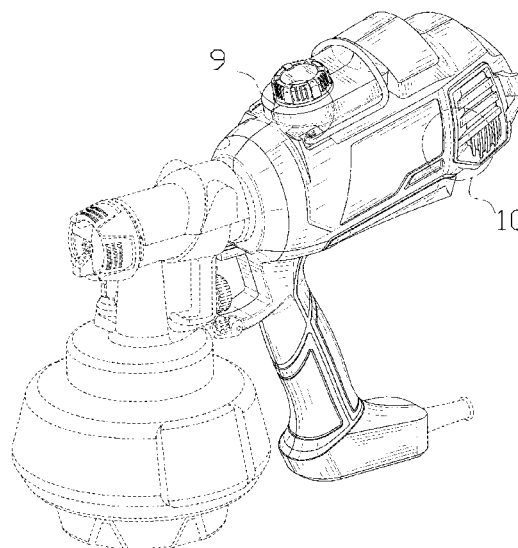
(57) **CLAIM**

The ornamental design for a spray gun, as shown and described.

DESCRIPTION

FIG. 1 is a perspective view of a spray gun showing my new design;
FIG. 2 is another perspective view thereof;
FIG. 3 is a front view thereof;
FIG. 4 is a rear view thereof;
FIG. 5 is a left side view thereof;
FIG. 6 is a right side view thereof;
FIG. 7 is a top view thereof;
FIG. 8 is a bottom view thereof;
FIG. 9 is an enlarged detail view of encircled portion “9” in FIG. 1; and,
FIG. 10 is an enlarged detail view of encircled portion “10” in FIG. 1.
The broken line showing of portions of the spray gun in FIGS. 1-8 forms no part of the claimed design.

1 Claim, 10 Drawing Sheets



(56)

References Cited

U.S. PATENT DOCUMENTS

D979,709	S *	2/2023	Ulbrich	D23/223
D992,087	S *	7/2023	Yang	D23/226
2005/0269425	A1 *	12/2005	Gohring	B05B 7/2416 239/290
2010/0123020	A1 *	5/2010	Gohring	B05B 7/083 239/71
2015/0190826	A1 *	7/2015	Gang	B05B 7/2416 239/304
2017/0304853	A1 *	10/2017	Krayer	B05B 15/62
2022/0274123	A1 *	9/2022	Sun	B05B 7/2416
2023/0302473	A1 *	9/2023	Jeltsch	B05B 9/01 239/526

* cited by examiner

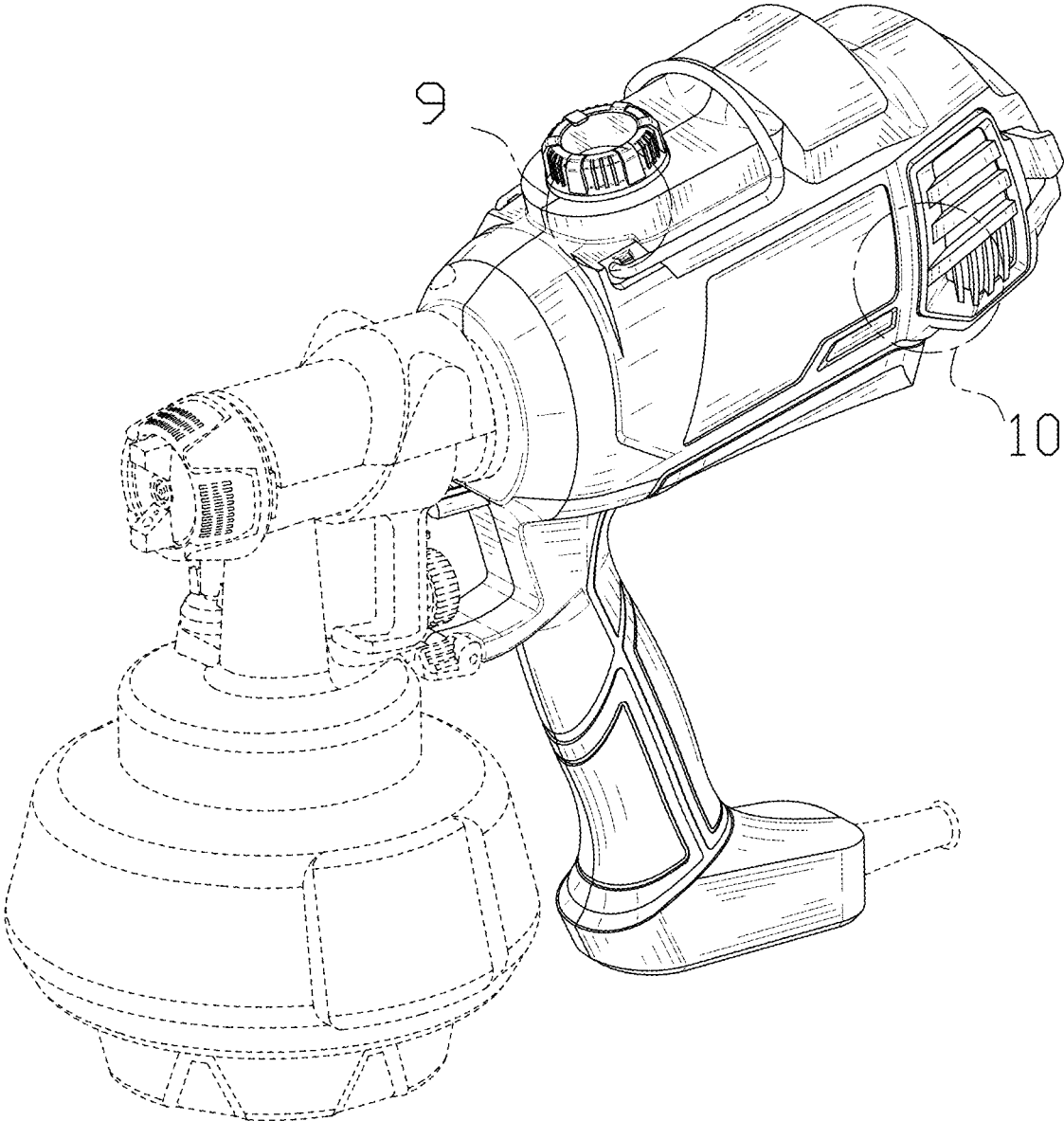


FIG. 1

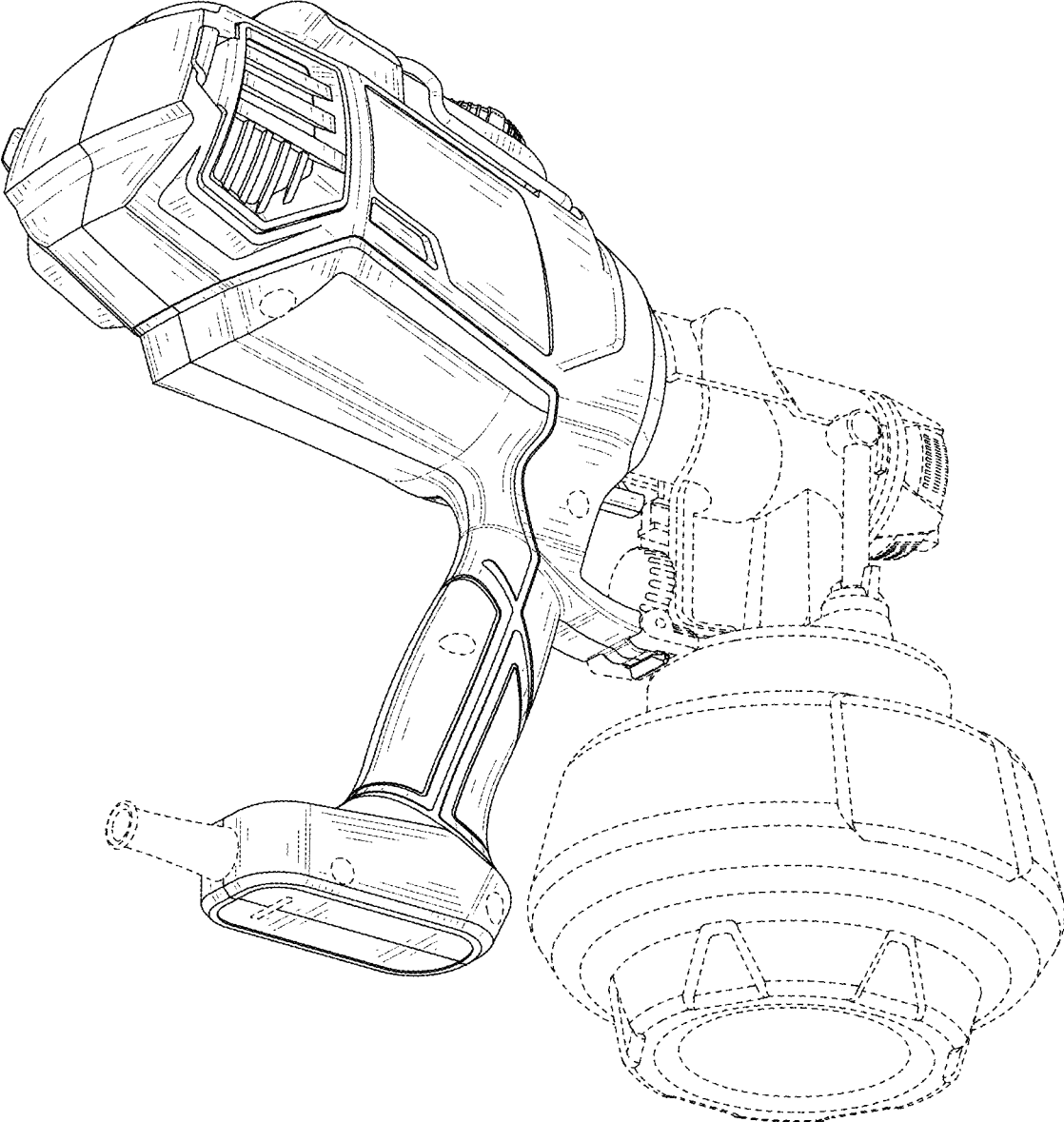


FIG. 2

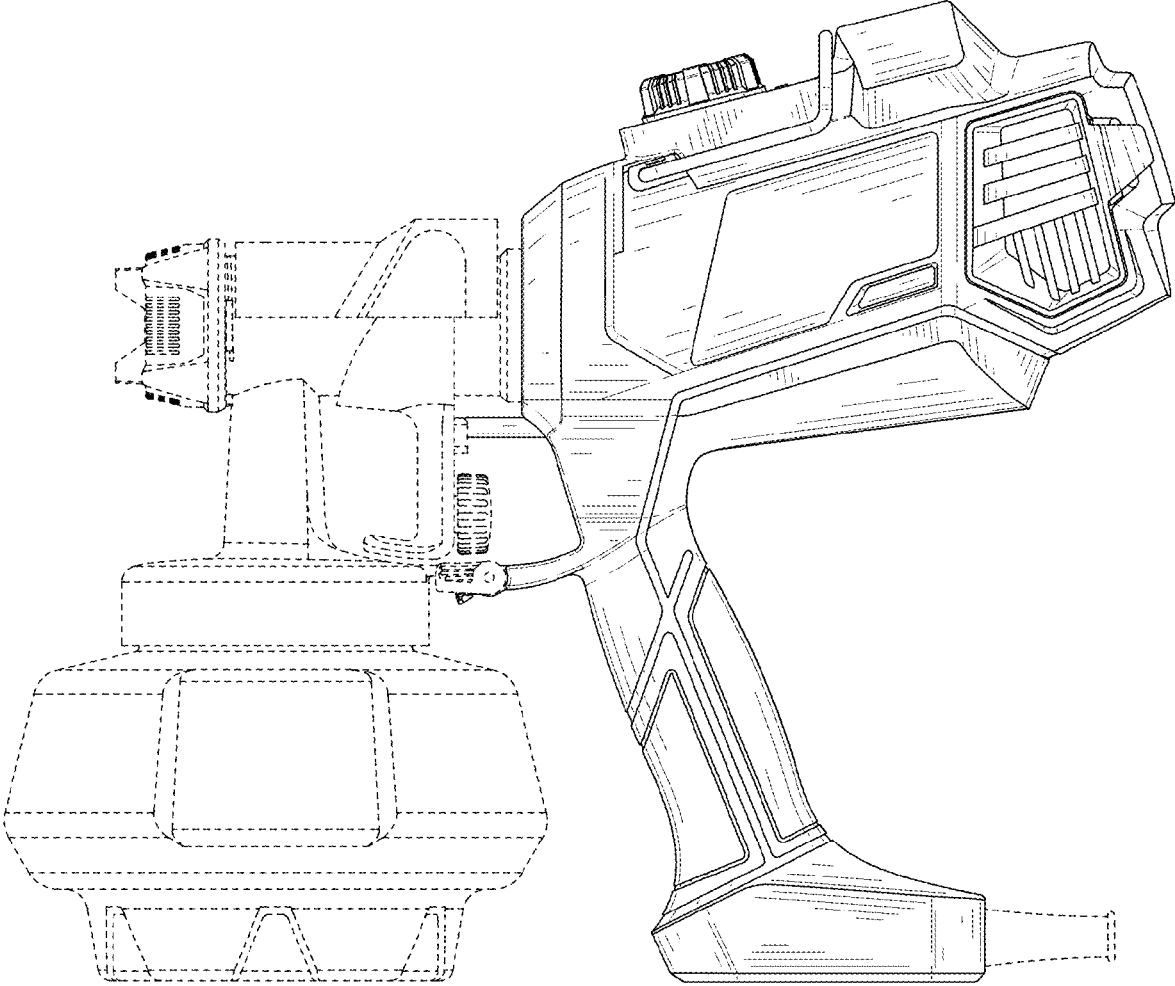


FIG. 3

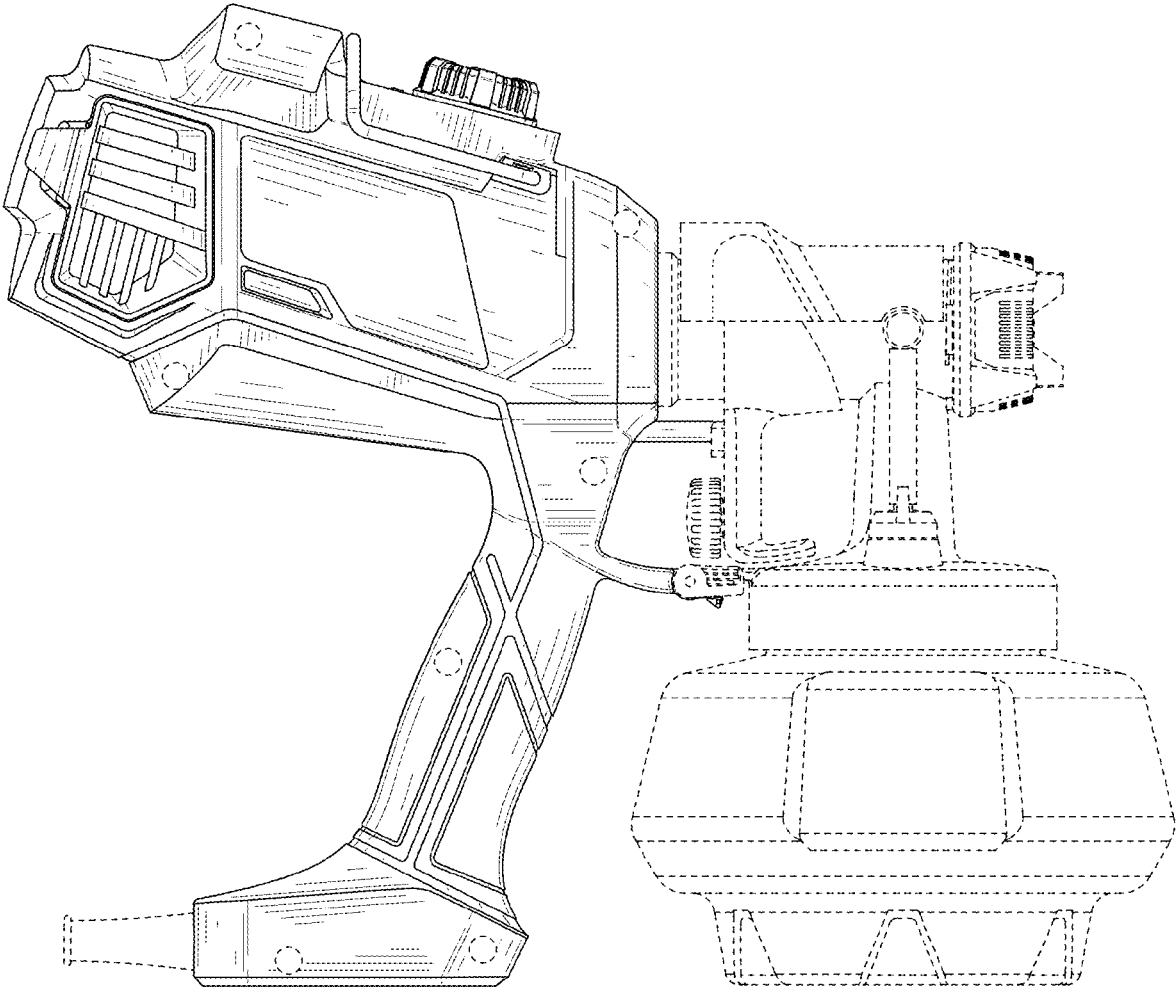


FIG. 4

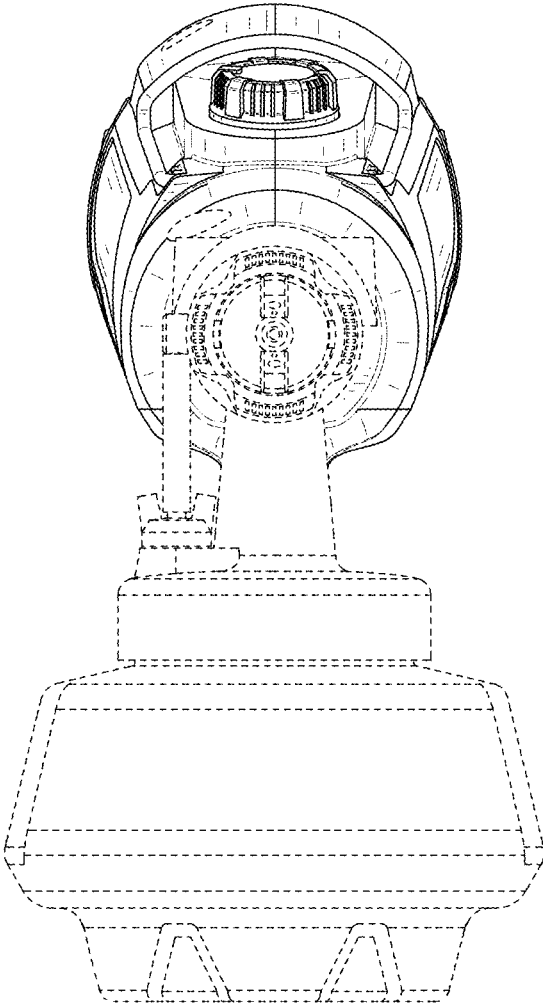


FIG. 5

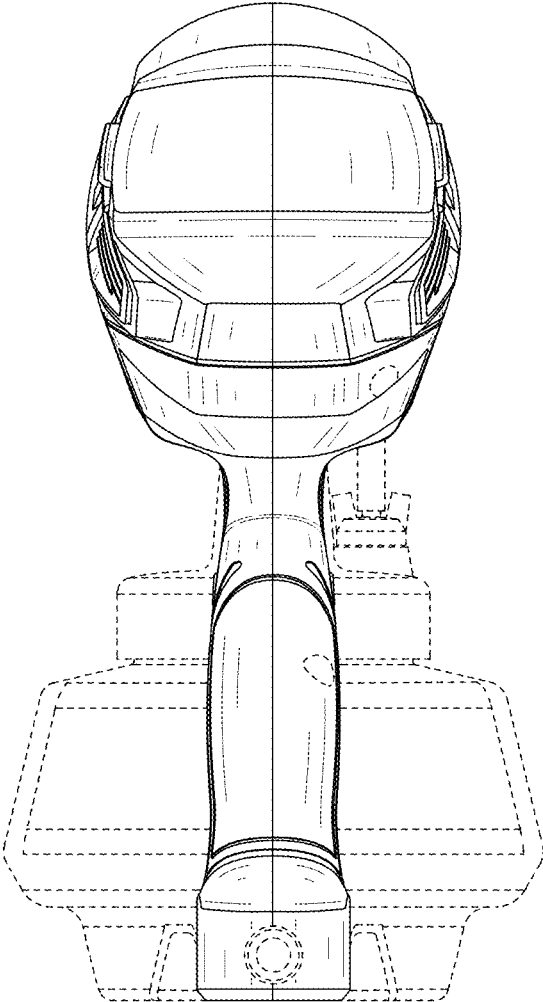


FIG. 6

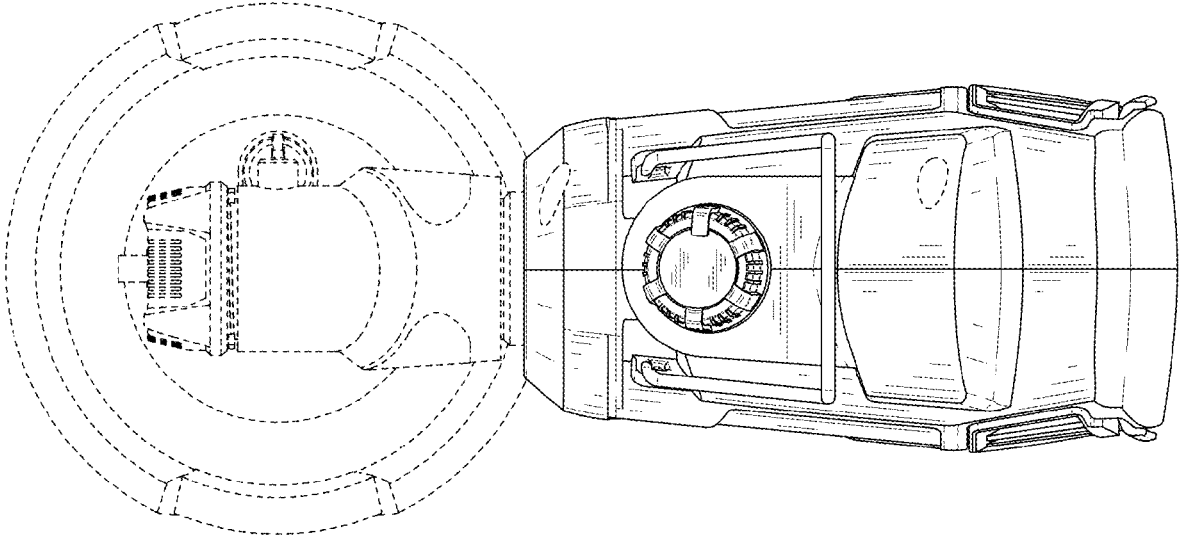


FIG. 7

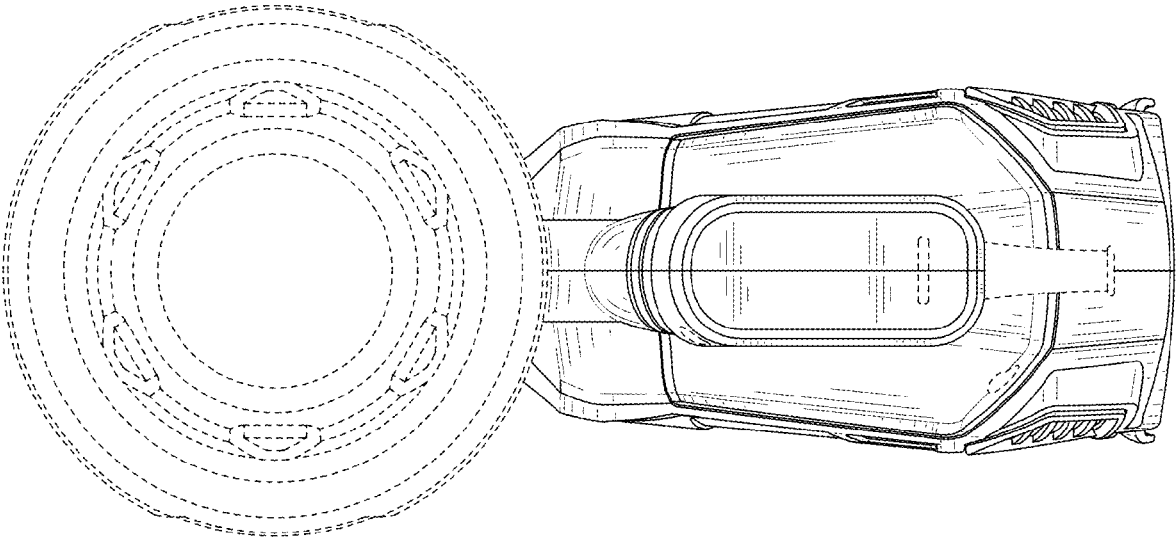


FIG. 8

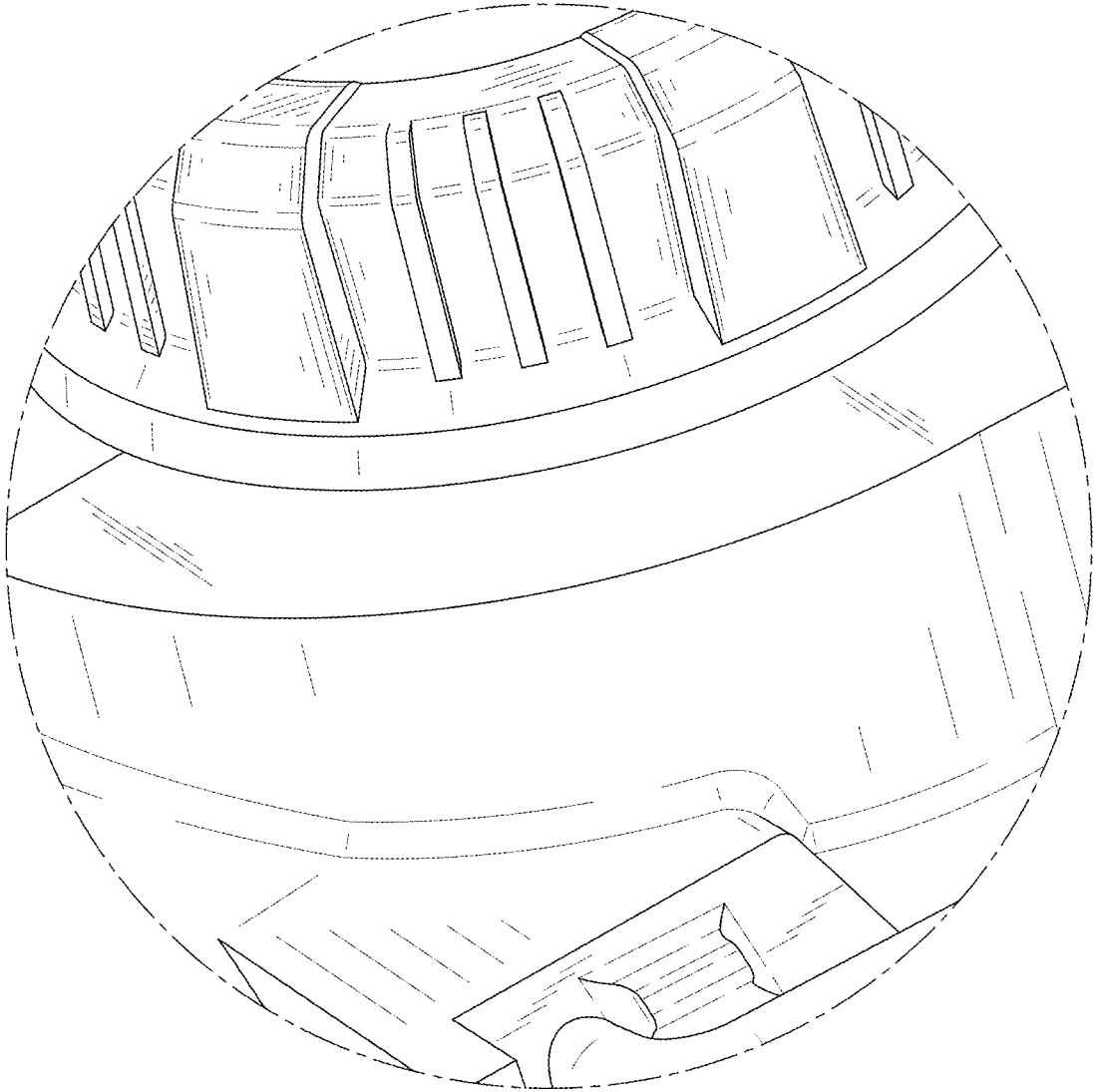


FIG. 9

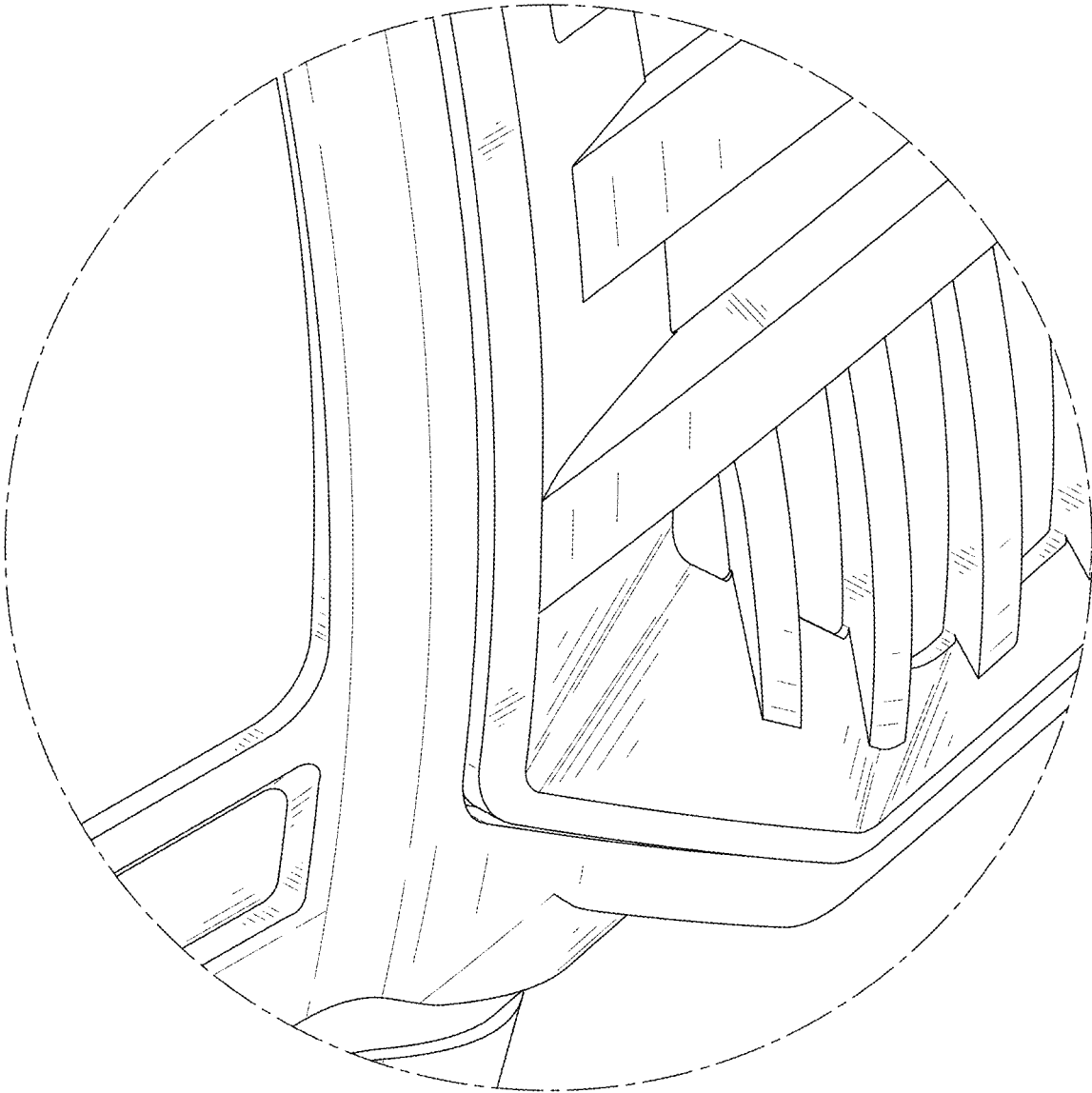


FIG. 10