



US00D709762S

(12) **United States Design Patent**
Kuo

(10) **Patent No.:** **US D709,762 S**

(45) **Date of Patent:** **** Jul. 29, 2014**

(54) **PUMP-DISPENSING HEAD**

(76) Inventor: **Roy Kuo**, Taipei (TW)

(**) Term: **14 Years**

(21) Appl. No.: **29/418,644**

(22) Filed: **Apr. 19, 2012**

(30) **Foreign Application Priority Data**

Mar. 20, 2012 (TW) 101301495

(51) **LOC (10) CI.** **09-07**

(52) **U.S. CI.**
USPC **D9/448**

(58) **Field of Classification Search**
USPC D6/542-545; D7/300, 392.1, 396.2,
D7/500, 510; D9/434-436, 443, 445, 447,
D9/448, 682, 685, 694; D28/7; 215/200,
215/235, 236, 252, 264, 329, 355-364;
222/402.13, 556

See application file for complete search history.

(56) **References Cited**

U.S. PATENT DOCUMENTS

D436,863 S *	1/2001	Wadsworth et al.	D9/448
D438,113 S *	2/2001	Wadsworth	D9/448
D438,798 S *	3/2001	Wadsworth	D9/448
D458,833 S *	6/2002	Crawford	D9/682
D460,686 S *	7/2002	Crawford et al.	D9/682
D465,150 S *	11/2002	Crawford et al.	D9/682

D485,747 S *	1/2004	Crawford	D9/682
D489,614 S *	5/2004	Pinnavaia	D9/448
D536,973 S *	2/2007	van der Heijden et al.	D6/542
D604,610 S *	11/2009	Ames et al.	D9/448
D688,561 S *	8/2013	Bunce et al.	D9/682

* cited by examiner

Primary Examiner — Robert M Spear

Assistant Examiner — Marissa Cash

(74) *Attorney, Agent, or Firm* — Chun-Ming Shih

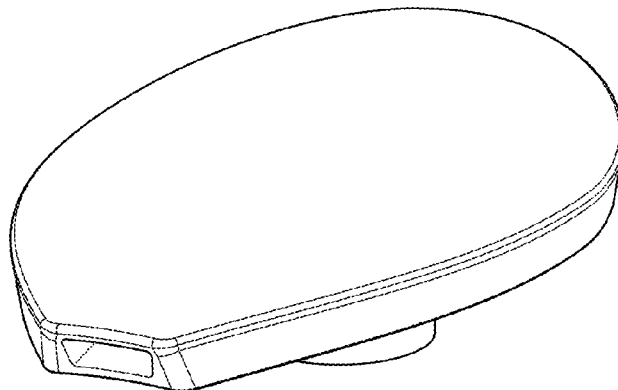
(57) **CLAIM**

The ornamental design for a pump-dispensing head, as shown and described.

DESCRIPTION

FIG. 1 is a perspective view of a pump-dispensing head from top showing the new design;
 FIG. 2 is a right side elevational view thereof;
 FIG. 3 is a left side elevational view thereof;
 FIG. 4 is a rear view thereof;
 FIG. 5 is a front view thereof;
 FIG. 6 is a top view thereof;
 FIG. 7 is a bottom view thereof.
 FIG. 8 is a perspective view showing the pump-dispensing head from the bottom; and,
 FIG. 9 is another perspective view showing the pump-dispensing head from the bottom.

1 Claim, 5 Drawing Sheets



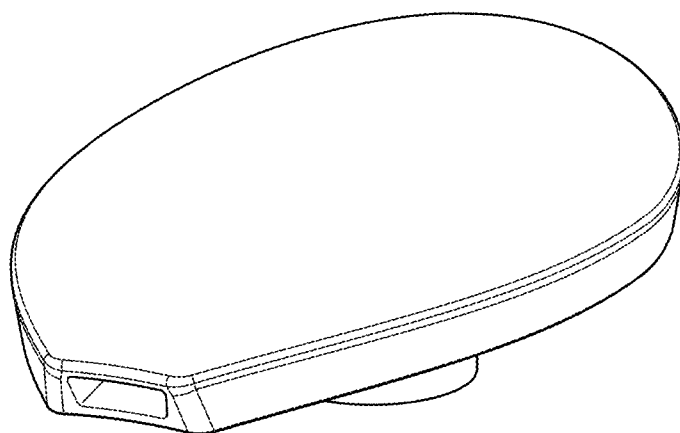


Fig. 1

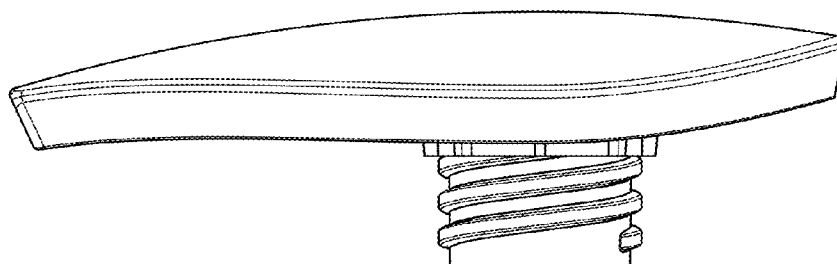


Fig. 2

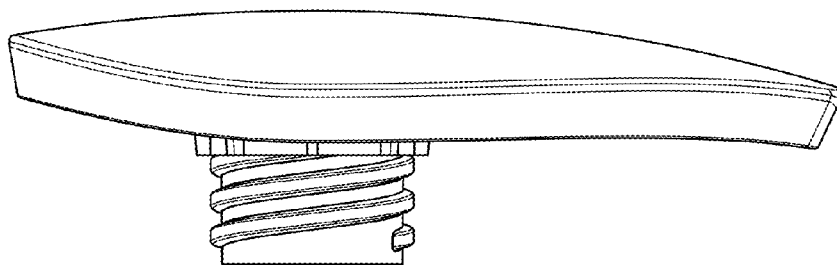


Fig. 3

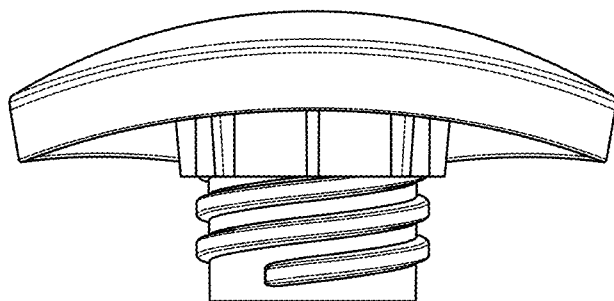


Fig. 4

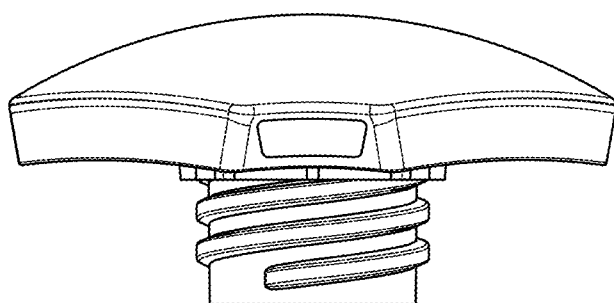


Fig. 5

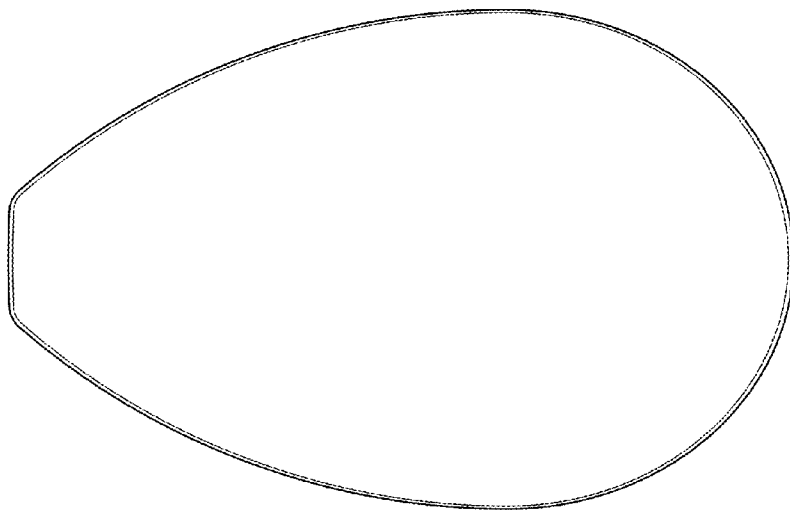


Fig. 6

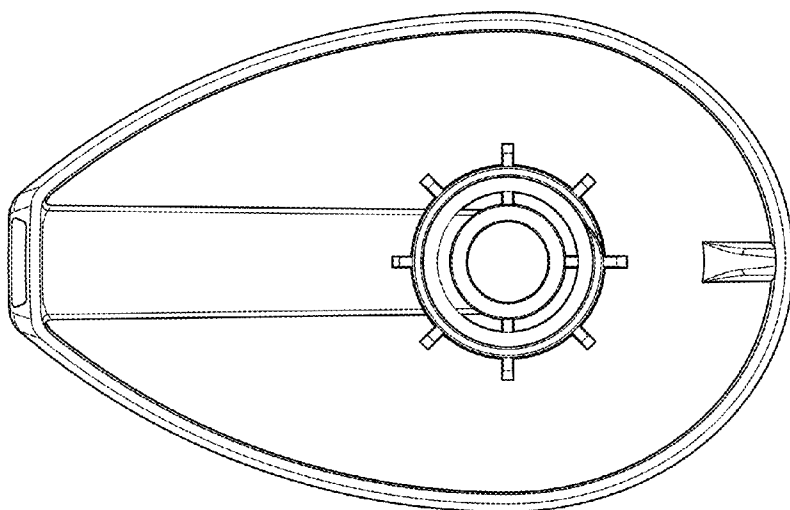


Fig. 7

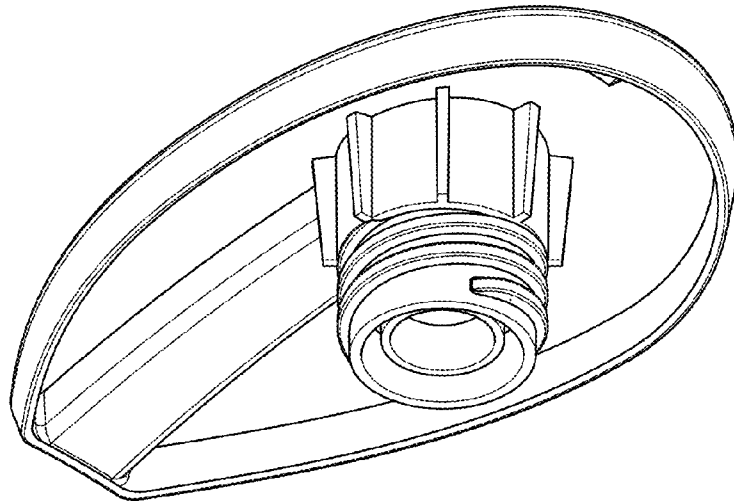


Fig. 8

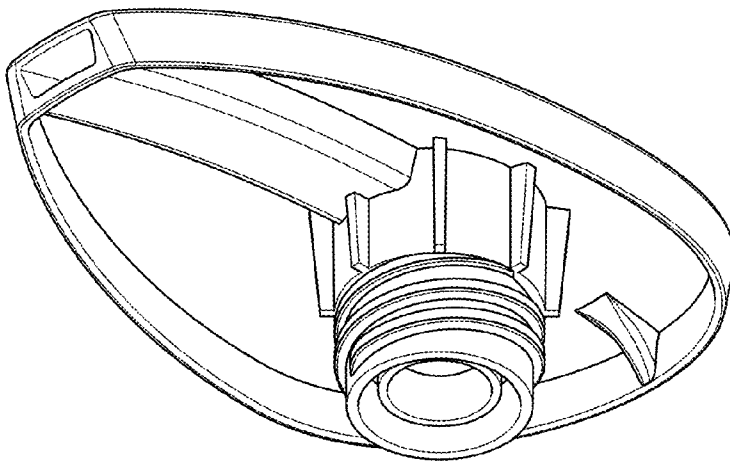


Fig. 9