



US00D998848S

(12) **United States Design Patent**
Rajasekaran

(10) **Patent No.:** **US D998,848 S**

(45) **Date of Patent:** **** Sep. 12, 2023**

(54) **LAMP**

(71) Applicant: **E. MISHAN & SONS, INC.**, New York, NY (US)

(72) Inventor: **Mohan Rajasekaran**, Watertown, CT (US)

(73) Assignee: **E. MISHAN & SONS, INC.**, New York, NY (US)

(**) Term: **15 Years**

(21) Appl. No.: **29/814,250**

(22) Filed: **Nov. 4, 2021**

(51) **LOC (14) Cl.** **26-05**

(52) **U.S. Cl.** **D26/60**
USPC

(58) **Field of Classification Search**
USPC D26/24, 51, 55, 60, 61, 62, 64, 72, 80, D26/85, 93, 94, 101, 113, 118, 127
CPC .. F21V 21/08; F21V 21/088; F21V 21/08857; F21L 4/00; F21L 4/02; F21L 4/025; F21L 4/0267; F21W 2131/30; F21W 2131/109
See application file for complete search history.

(56) **References Cited**

U.S. PATENT DOCUMENTS

D322,681 S *	12/1991	Yuen	D26/38
D590,534 S *	4/2009	Levine	D26/62
D603,543 S *	11/2009	Huang	D26/63
D822,877 S *	7/2018	Kaiser	D26/107
D838,887 S *	1/2019	Su	D26/60
D844,206 S *	3/2019	Richardson	D26/60
D874,701 S *	2/2020	Hu	D26/60
D878,654 S *	3/2020	Lin	D26/60
D890,399 S *	7/2020	Su	D26/60
D903,174 S *	11/2020	Chen	D26/106
D921,255 S *	6/2021	Jia	D26/60
D925,800 S *	7/2021	He	D26/60
D939,135 S *	12/2021	Lai	D26/60

D946,817 S *	3/2022	He	D26/138
D948,096 S *	4/2022	Zhang	D26/60
D948,097 S *	4/2022	Zhang	D26/60
D950,121 S *	4/2022	He	D26/60
D950,819 S *	5/2022	Guo	D26/60
11,371,680 B1 *	6/2022	Rajasekaran	F21V 21/0885

(Continued)

FOREIGN PATENT DOCUMENTS

CN 305077543 * 3/2019

OTHER PUBLICATIONS

Table Grow Lamp, posted at acehardware. Site visited Mar. 10, 2023. Available from internet, URL: <https://www.acehardware.com/departments/lighting-and-electrical/light-fixtures/lamps/6038796?> (Year: 2023).*

(Continued)

Primary Examiner — Samantha Wood

Assistant Examiner — Vanessa Martinez

(74) *Attorney, Agent, or Firm* — Notaro, Michalos & Zaccaria P.C.

(57) **CLAIM**

The ornamental design for a lamp, as shown and described.

DESCRIPTION

FIG. 1 is a top, front perspective view of a lamp showing the design;

FIG. 2 is a front elevational view thereof;

FIG. 3 is a rear elevational view thereof;

FIG. 4 is a right elevational view thereof;

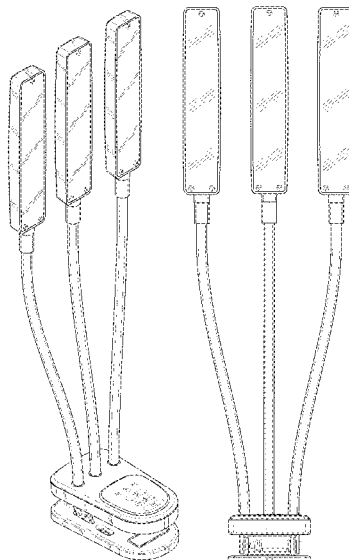
FIG. 5 is a left elevational view thereof;

FIG. 6 is a top plan view thereof; and,

FIG. 7 is a bottom plan view thereof.

Throughout the figures, broken lines indicate boundaries that form no part of the claimed design.

1 Claim, 7 Drawing Sheets



(56)

References Cited

U.S. PATENT DOCUMENTS

D958,431 S *	7/2022	Lai	D26/60
D962,515 S *	8/2022	Huang	D26/60
D968,668 S *	11/2022	Xia	D26/60
2008/0192476 A1 *	8/2008	Hiratsuka	F21S 4/20 362/285

OTHER PUBLICATIONS

Indoor plant Growing Lamp, posted at acehardware, date first available Jan. 27, 2022. Site visited Mar. 10, 2023. Available from internet, URL: <https://www.amazon.com/Bell-Howell-Growburst-Brightness-Including/dp/B09RBYLHSS?th=1> (Year: 2022).*

Growing Lamp, posted at Amazon, date first available Mar. 4, 2022. Site visited May 26, 2023. Available from internet, URL: https://www.amazon.ca/dp/B09RBYLHSS?ref_=cm_sw_r_cp_ud_dp_RD89JG5K3EV9Y12CH2Y0 (Year: 2022).*

LED Clamp Light, posted at lowes. Site visited May 26, 2023. Available from internet, URL: <https://www.lowes.com/pd/BELL-HOWELL-Bell-Howell-Grow-Burst/5006010201> (Year: 2023).*

Juhefa, posted at Amazon, date first available Jun. 1, 2019. Site visited Jul. 10, 2023. Available from internet, URL: https://www.amazon.ca/dp/B07RXQG6YN?ref_=cm_sw_r_cp_ud_dp_N2F80K9W0Y6CM6QE14F1 (Year: 2019).*

Grow Lights, posted at Amazon, date first available Jun. 23, 2021. Site visited Jul. 10, 2023. Available from internet, URL: https://www.amazon.com/dp/B097R5F5GJ?ref_=cm_sw_r_cp_ud_dp_99ZEV5Z3MFKD8TJ0252F (Year: 2021).*

LED Grow Light, posted at Amazon, date first available Jul. 15, 2020. Site visited Jul. 10, 2023. Available from internet, URL: <https://www.amazon.com/LED-Grow-Light-Plants-Adjustable/dp/B08CZ3SNZ1> (Year: 2020).*

* cited by examiner

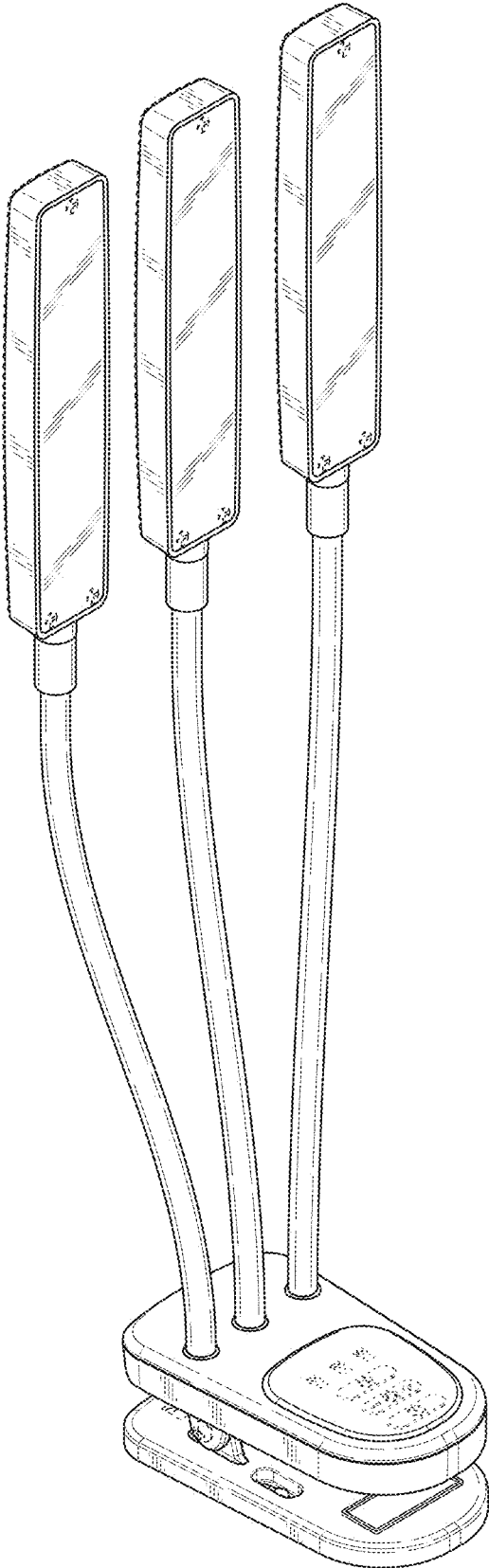


FIG. 1

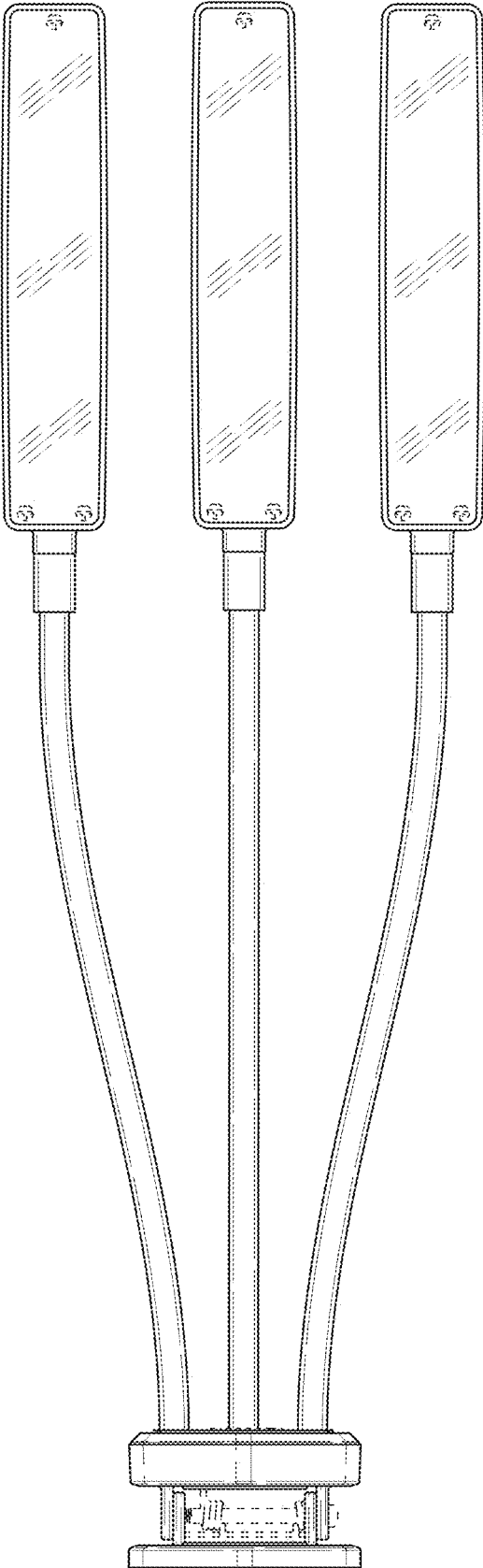


FIG. 2

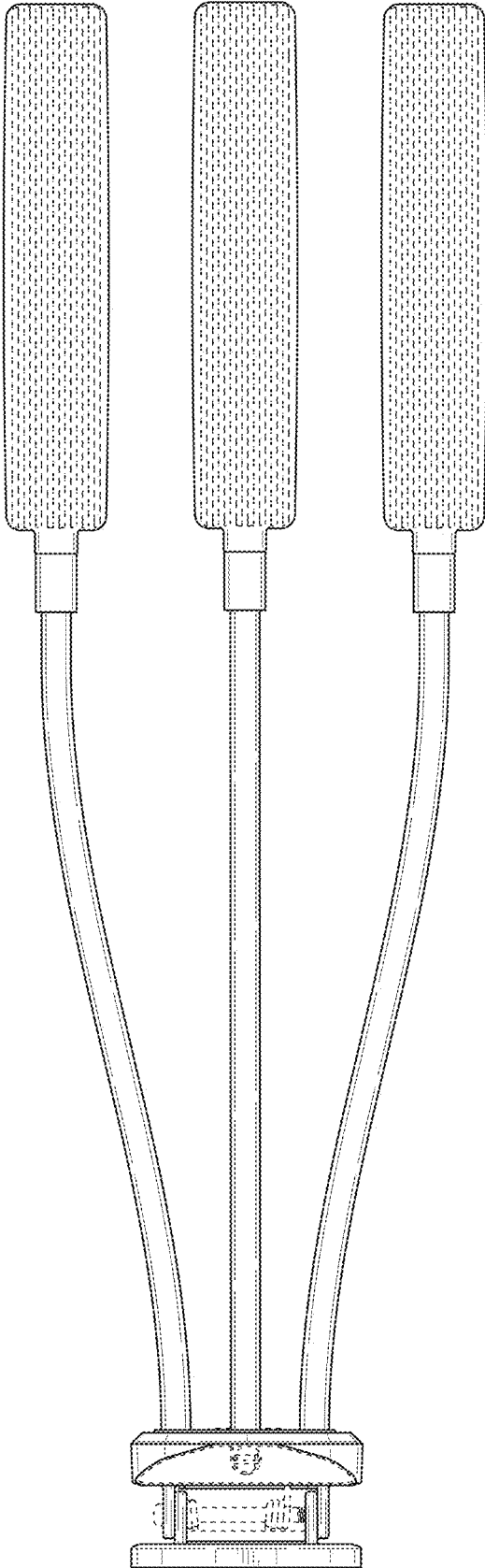


FIG. 3

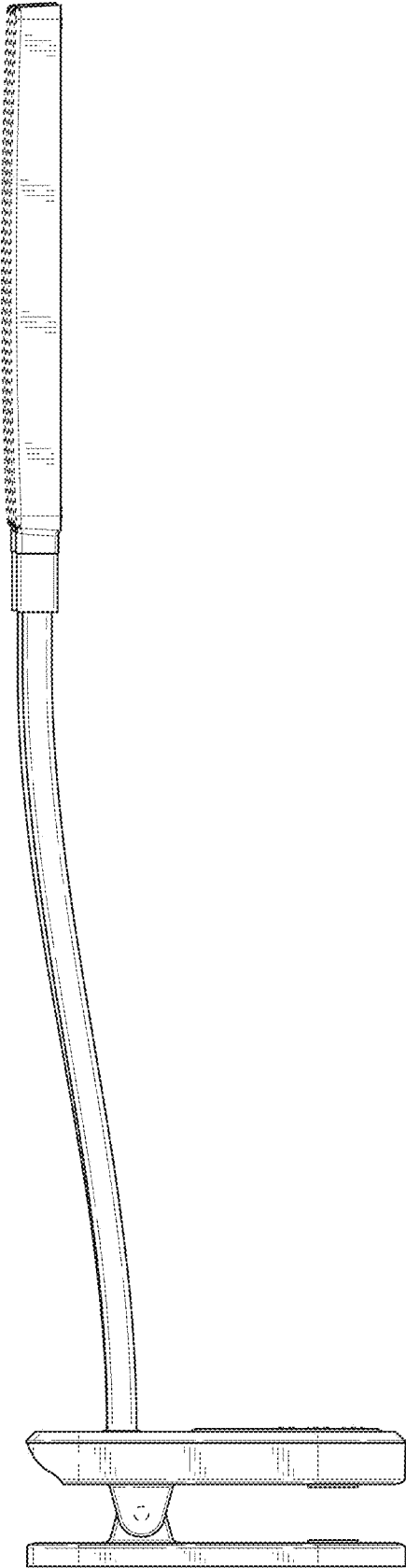


FIG. 4

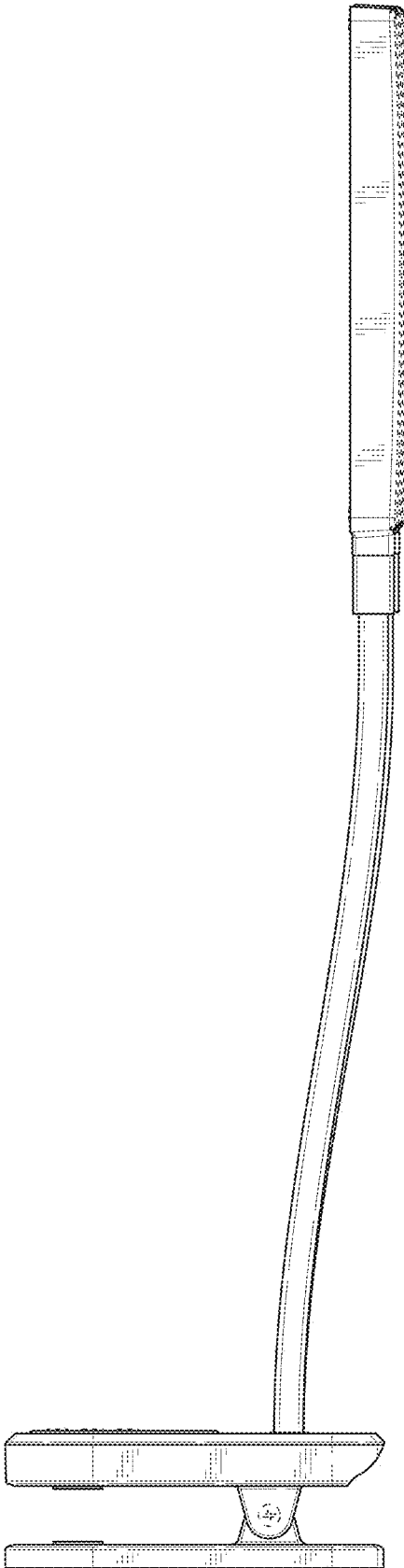


FIG. 5

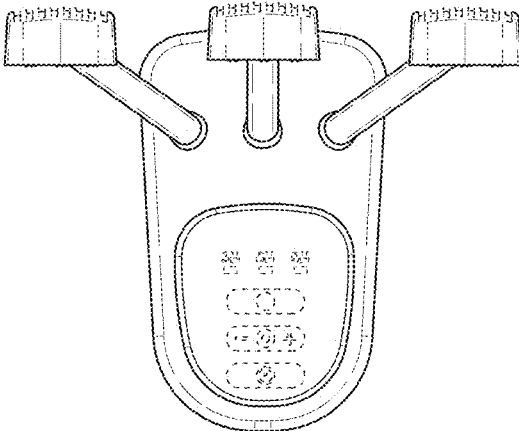


FIG. 6

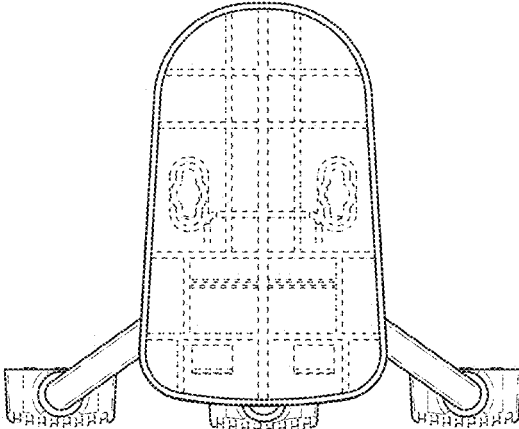


FIG. 7