



US00D592694S

(12) **United States Design Patent**
Fuchs

(10) **Patent No.:** **US D592,694 S**

(45) **Date of Patent:** **** May 19, 2009**

(54) **GOGGLES**

(75) Inventor: **Gerhard Fuchs**, Kauns (AT)

(73) Assignee: **Silhouette International Schmied AG**,
Linz (AT)

(**) Term: **14 Years**

(21) Appl. No.: **29/306,539**

(22) Filed: **Apr. 10, 2008**

(30) **Foreign Application Priority Data**

Dec. 4, 2007 (EP) 00837034-0001

(51) **LOC (9) Cl.** **16-06**

(52) **U.S. Cl.** **D16/312**

(58) **Field of Classification Search** D16/101,
D16/300-342; D29/109-110; D24/110.2;
351/41, 44, 51-52, 62, 158, 92, 103-123,
351/140, 153, 45-46; 2/426-432, 447-449,
2/441, 434-437, 13, 15; D21/483, 659-661

See application file for complete search history.

(56) **References Cited**

U.S. PATENT DOCUMENTS

D242,666 S	12/1976	Smith
D292,329 S	10/1987	Vitaloni
D317,614 S	6/1991	Dianitsch
D323,176 S	1/1992	De Poorter
D327,490 S	6/1992	Wilson
D358,159 S	5/1995	Lai
D375,320 S	11/1996	Canavan
5,617,588 A	4/1997	Canavan et al.
D408,431 S	4/1999	Simioni
D413,915 S	9/1999	Newcomb et al.
D427,225 S	6/2000	Arnette
D428,039 S	7/2000	Thixton
D428,906 S	8/2000	Bolle
6,138,286 A	10/2000	Robrahn et al.

D439,267 S	3/2001	Hussey
D439,596 S	3/2001	Bolle
D440,593 S	4/2001	Tsubooka
D442,206 S	5/2001	Meyerhoffer
D456,037 S	4/2002	Tabacchi
D457,910 S	5/2002	Tsubooka
D466,916 S	12/2002	Wang
D477,010 S	7/2003	Moritz et al.
D478,610 S	8/2003	Moritz et al.
D478,926 S	8/2003	Moritz et al.
6,615,409 B2	9/2003	Youmans et al.
D484,524 S	12/2003	Wiedner
6,665,885 B2 *	12/2003	Masumoto 2/436
D488,182 S	4/2004	Sheldon et al.
D496,957 S *	10/2004	Bonnemere D16/312
6,952,841 B2	10/2005	Schary et al.
D524,352 S	7/2006	Hsu
D547,354 S	7/2007	Fuchs

* cited by examiner

Primary Examiner—Raphael Barkai
(74) *Attorney, Agent, or Firm*—Alston & Bird LLP

(57) **CLAIM**

The ornamental design for goggles, as shown and described.

DESCRIPTION

FIG. 1 is a perspective view of goggles showing my new design;

FIG. 2 is a front elevation view thereof;

FIG. 3 is a rear elevation view thereof;

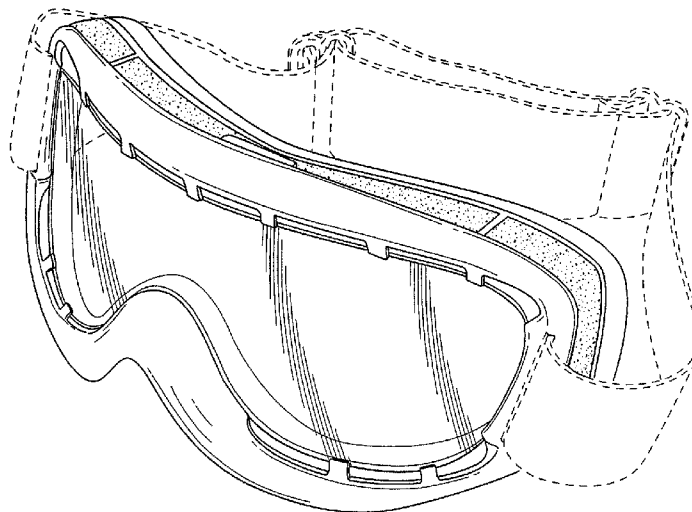
FIG. 4 is a bottom plan view thereof;

FIG. 5 is a top plan view thereof; and,

FIG. 6 is a left side elevation view thereof, the right side elevation view being a mirror image thereof.

Broken lines shown herein for illustrative purposes or which define the bounds of the claimed design form no part of the claimed design.

1 Claim, 5 Drawing Sheets



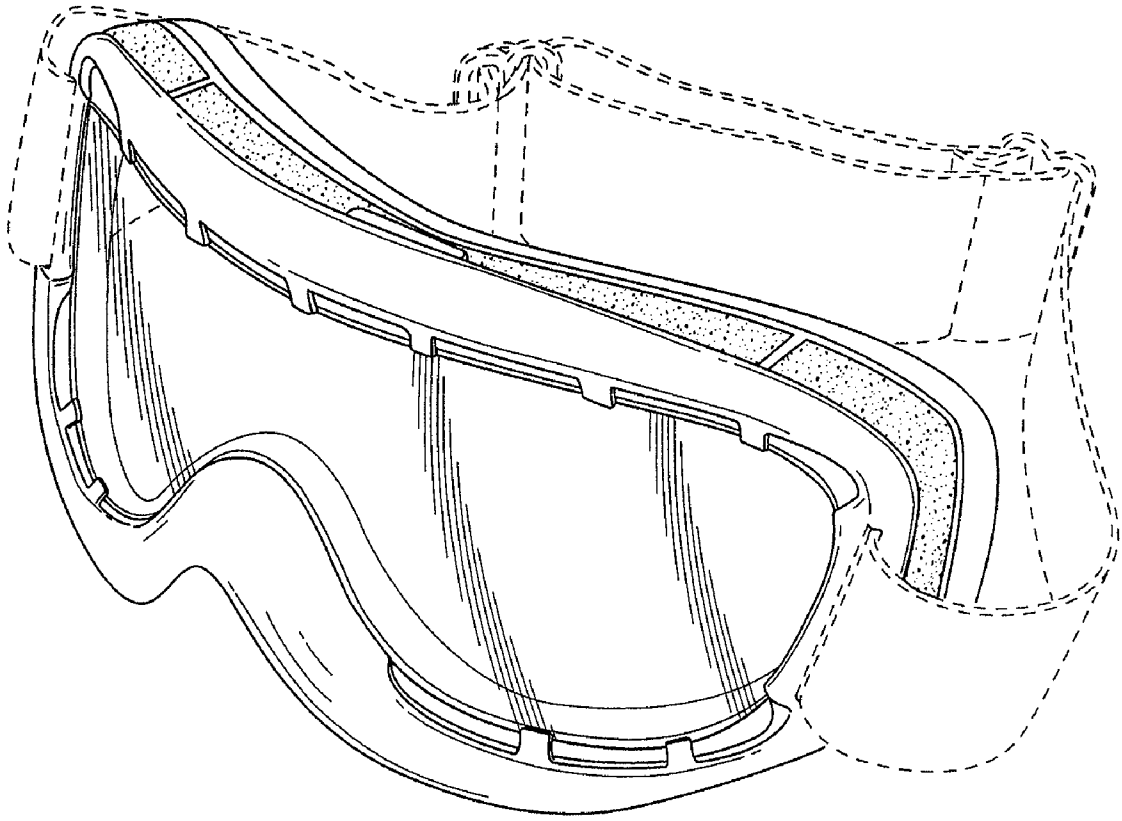


FIG. 1

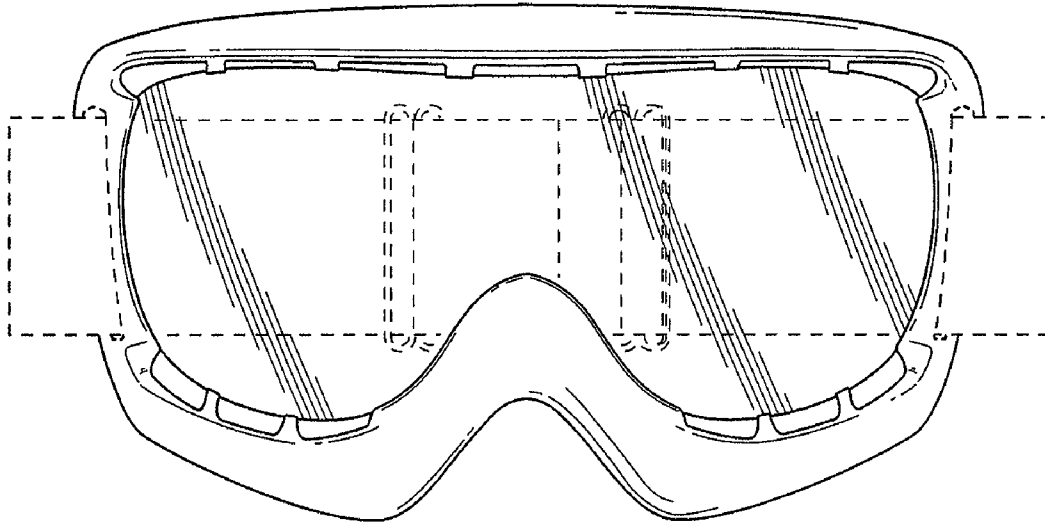


FIG. 2

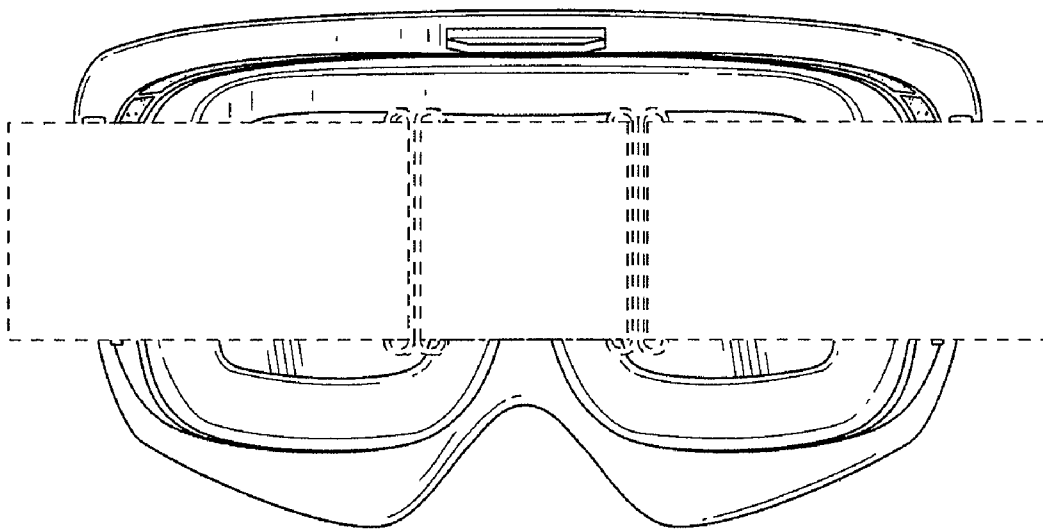


FIG. 3

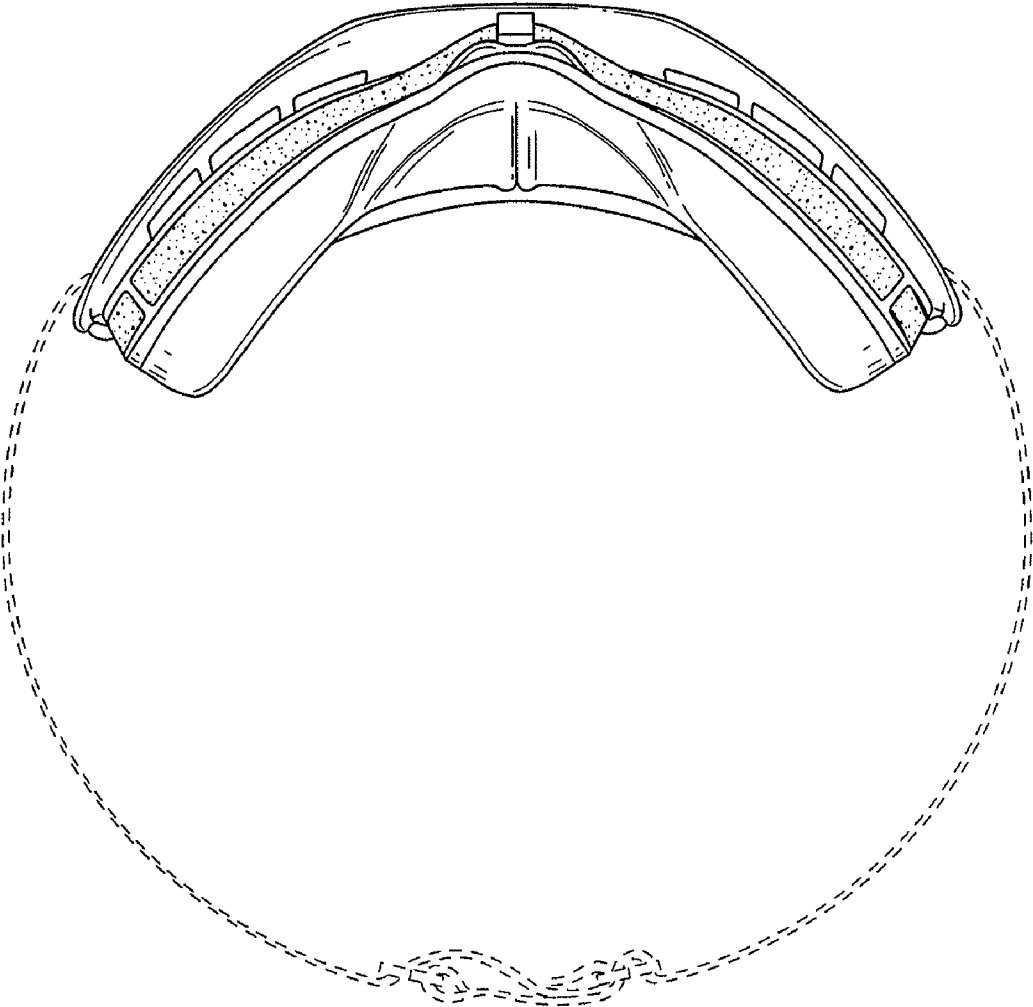


FIG. 4

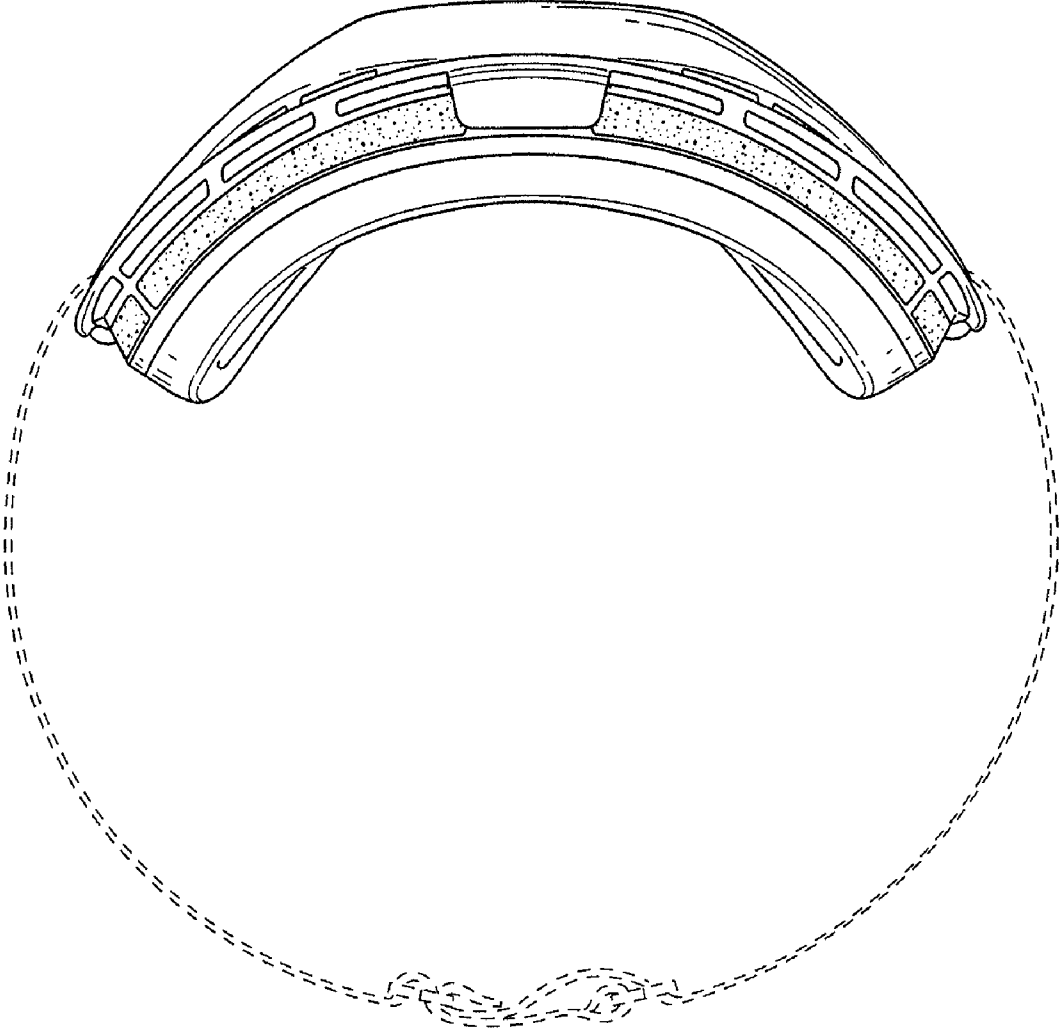


FIG. 5

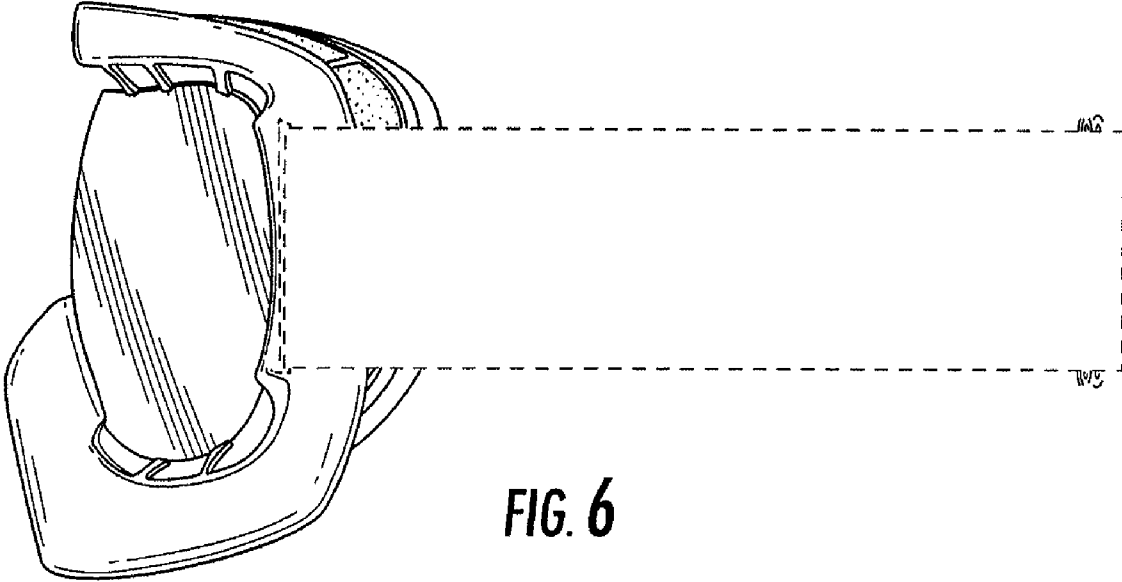


FIG. 6