

(19) World Intellectual Property
Organization
International Bureau



(43) International Publication Date
22 September 2005 (22.09.2005)

PCT

(10) International Publication Number
WO 2005/086635 A3

(51) International Patent Classification⁷: **F02M 29/04**

(21) International Application Number:
PCT/US2005/004056

(22) International Filing Date: 9 February 2005 (09.02.2005)

(25) Filing Language: English

(26) Publication Language: English

(30) Priority Data:

60/543,377	9 February 2004 (09.02.2004)	US
60/581,813	21 June 2004 (21.06.2004)	US
60/602,571	17 August 2004 (17.08.2004)	US
60/626,278	8 November 2004 (08.11.2004)	US
11/051,902	4 February 2005 (04.02.2005)	US

(71) Applicant and
(72) Inventor: **SIMON, David, N.** [US/US]; 1420 N. Royal
Oaks Way, Flagstaff, AZ 86004 (US).

(74) Agent: **STONEMAN, Martin, L.**; Stoneman Law Of-
fices, Ltd., 3113 North 3rd Street, Phoenix, AZ 85012-2601
(US).

(81) Designated States (unless otherwise indicated, for every
kind of national protection available): AE, AG, AL, AM,
AT, AU, AZ, BA, BB, BG, BR, BW, BY, BZ, CA, CH, CN,
CO, CR, CU, CZ, DE, DK, DM, DZ, EC, EE, EG, ES, FI,
GB, GD, GE, GH, GM, HR, HU, ID, IL, IN, IS, JP, KE,
KG, KP, KR, KZ, LC, LK, LR, LS, LT, LU, LV, MA, MD,
MG, MK, MN, MW, MX, MZ, NA, NI, NO, NZ, OM, PG,
PH, PL, PT, RO, RU, SC, SD, SE, SG, SK, SL, SM, SY, TJ,
TM, TN, TR, TT, TZ, UA, UG, US, UZ, VC, VN, YU, ZA,
ZM, ZW.

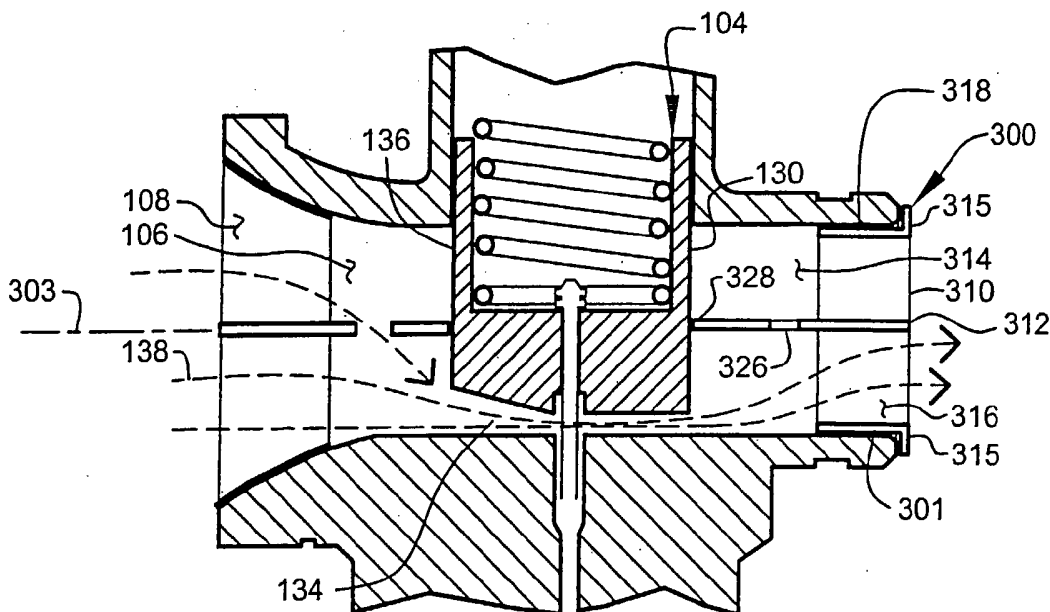
(84) Designated States (unless otherwise indicated, for every
kind of regional protection available): ARIPO (BW, GH,
GM, KE, LS, MW, MZ, NA, SD, SL, SZ, TZ, UG, ZM,
ZW), Eurasian (AM, AZ, BY, KG, KZ, MD, RU, TJ, TM),
European (AT, BE, BG, CH, CY, CZ, DE, DK, EE, ES, FI,
FR, GB, GR, HU, IE, IS, IT, LT, LU, MC, NL, PL, PT, RO,
SE, SI, SK, TR), OAPI (BF, BJ, CF, CG, CI, CM, GA, GN,
GQ, GW, ML, MR, NE, SN, TD, TG).

Declaration under Rule 4.17:
— of inventorship (Rule 4.17(iv)) for US only

Published:
— with international search report

[Continued on next page]

(54) Title: AIR MANAGEMENT SYSTEMS



(57) Abstract: An air management system for improved airflow within a vehicle carburetor or fuel injection throttle-body. The air management system comprises a divider plate (112, 160, 162, 224, 312, 412, 512, 612, 712, 818, 902, 1026, 1032) positioned within the airflow passage of the carburetor or fuel injection throttle body. Several embodiments utilize air pressure equalizing aperture for equalizing fluid pressures above and below the divider plate (112, 160, 162, 224, 312, 412, 512, 612, 712, 818, 902, 1026, 1032).

WO 2005/086635 A3



— *before the expiration of the time limit for amending the claims and to be republished in the event of receipt of amendments*

For two-letter codes and other abbreviations, refer to the "Guidance Notes on Codes and Abbreviations" appearing at the beginning of each regular issue of the PCT Gazette.

(88) Date of publication of the international search report:
8 December 2005

INTERNATIONAL SEARCH REPORT

International application No.

PCT/US05/04056

A. CLASSIFICATION OF SUBJECT MATTER

IPC(7) : F02M 29/04
 US CL : 123/590, 592, 593, 337, 184.53, 184.57, 184.59, 306

According to International Patent Classification (IPC) or to both national classification and IPC

B. FIELDS SEARCHED

Minimum documentation searched (classification system followed by classification symbols)
 U.S. : 123/590, 592, 593, 337, 184.53, 184.57, 184.59, 306

Documentation searched other than minimum documentation to the extent that such documents are included in the fields searched

Electronic data base consulted during the international search (name of data base and, where practicable, search terms used)

C. DOCUMENTS CONSIDERED TO BE RELEVANT

Category *	Citation of document, with indication, where appropriate, of the relevant passages	Relevant to claim No.
X	US 6,439,540 B1 (TSE) 27 August 2002 (27.08.2002), Figure 1.	1-36
X	US 6,557,511 B2 (RUTSCHMANN et al) 06 May 2003 (06.05.2003), Figure 1.	1-36
X	US 6,520,146 B2 (LAIMBOCK) 18 February 2003 (18.02.2003), Figures 1 & 4.	1-36
X, P	US 6,758,461 B1 (OMARSSON) 06 July 2004 (06.07.2004), Figures 1 & 5.	17-26, 31-34, 36
X	US 6,269,806 B1 (DELLAROSA) 07 August 2001 (07.08.2001), Figures 5-9, 14-15A.	17-26, 31-34, 36
X	US 6,371,068 B2 (TAYLOR) 16 August 2002 (16.08.2002), Figures 7-8.	17-26, 31-34, 36

Further documents are listed in the continuation of Box C.

See patent family annex.

* Special categories of cited documents:

"A" document defining the general state of the art which is not considered to be of particular relevance

"E" earlier application or patent published on or after the international filing date

"L" document which may throw doubts on priority claim(s) or which is cited to establish the publication date of another citation or other special reason (as specified)

"O" document referring to an oral disclosure, use, exhibition or other means

"P" document published prior to the international filing date but later than the priority date claimed

"T" later document published after the international filing date or priority date and not in conflict with the application but cited to understand the principle or theory underlying the invention

"X" document of particular relevance; the claimed invention cannot be considered novel or cannot be considered to involve an inventive step when the document is taken alone

"Y" document of particular relevance; the claimed invention cannot be considered to involve an inventive step when the document is combined with one or more other such documents, such combination being obvious to a person skilled in the art

"&" document member of the same patent family

Date of the actual completion of the international search

25 August 2005 (25.08.2005)

Date of mailing of international search report

27 SEP 2005

Name and mailing address of the ISA/US

Mail Stop PCT, Attn: ISA/US
 Commissioner for Patents
 P.O. Box 1450
 Alexandria, Virginia 22313-1450

Facsimile No. (703) 305-3230

Authorized officer

Hai Huynh *Sharon N. Greene for*
 Telephone No. (751) 272-4383