

(12) **UK Patent Application** (19) **GB** (11) **2474969** (13) **A**

(43) Date of Reproduction by UK Office **04.05.2011**

(21) Application No: **1020893.2**

(22) Date of Filing: **26.08.2009**

(30) Priority Data:
(31) **61092247** (32) **27.08.2008** (33) **US**

(86) International Application Data:
PCT/CA2009/001196 En 26.08.2009

(87) International Publication Data:
WO2010/022514 En 04.03.2010

(51) INT CL:
E05B 17/14 (2006.01) **E05B 15/02** (2006.01)
E05B 15/06 (2006.01) **E05B 15/08** (2006.01)
E05B 19/04 (2006.01)

(56) Documents Cited by ISA:
GB 2141478 A **US 3343386 A**
US 20060021403 A1

(58) Field of Search by ISA:
INT CL **E05B**
Other: **DELPHION, EPOQUE, CANADIAN PATENT DATABASE**

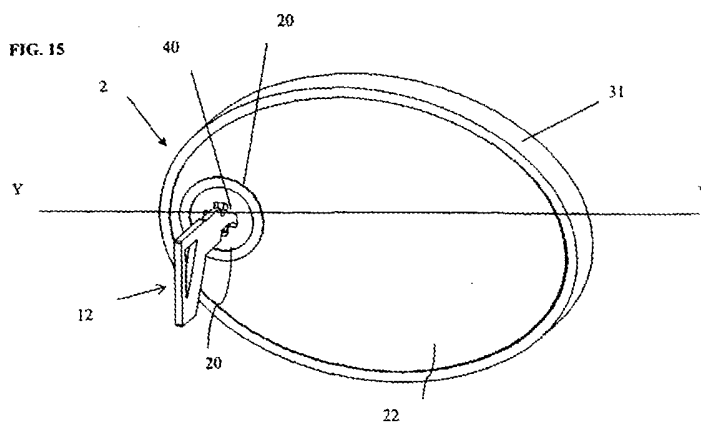
(71) Applicant(s):
Shred-it International Inc.
2794 South Sheridan Way, Oakville, Ontario,
L6J 7T4, Canada

(72) Inventor(s):
Douglas Charles Bisson
Todd Arnold Wayne Fielding

(74) Agent and/or Address for Service:
Appleyard Lees
15 Clare Road, HALIFAX, West Yorkshire, HX1 2HY,
United Kingdom

(54) Title of the Invention: **Security cover for a cylinder lock**
Abstract Title: **Security cover for a cylinder lock**

(57) There is provided a security cover for a cylinder lock. The security cover may comprise a top wall and a peripheral side wall and may be adapted to be secured over an end of the lock and may include a key slot extending through the top wall and positioned to align with the lock cylinder when the cover is secured over the lock. There is also provided a key for use with the cover and a method for securing a cylinder lock.



GB 2474969 A