



US00D959308S

(12) **United States Design Patent**
Zhou

(10) **Patent No.:** **US D959,308 S**

(45) **Date of Patent:** **** Aug. 2, 2022**

(54) **SCALE**

(71) Applicant: **Zhuobin Zhou**, Dongguan (CN)

(72) Inventor: **Zhuobin Zhou**, Dongguan (CN)

(**) Term: **15 Years**

(21) Appl. No.: **29/751,836**

(22) Filed: **Sep. 23, 2020**

(51) **LOC (13) Cl.** **10-04**

(52) **U.S. Cl.**

USPC **D10/91**

(58) **Field of Classification Search**

USPC D10/91

CPC G01G 19/40; G01G 19/41; G01G 19/413;

G01G 19/414; G01G 19/4144; G01G

19/42; G01G 23/3728; G01G 23/3735;

G01G 21/28; G01G 21/283; G01G

21/286; G01G 21/30; G06Q 20/208

See application file for complete search history.

(56)

References Cited

U.S. PATENT DOCUMENTS

D401,173 S * 11/1998 Kurata D10/91

D599,239 S * 9/2009 Pohl D10/91

D607,357 S * 1/2010 Pohl D10/91

D615,434 S * 5/2010 Regard D10/91

D817,797 S * 5/2018 Huckestein D10/91

D852,075 S * 6/2019 Huang D10/91

* cited by examiner

Primary Examiner — Antoine Duval Davis

(57)

CLAIM

The ornamental design for a scale, as shown and described.

DESCRIPTION

FIG. 1 is a front-top perspective view of a scale showing my new design;

FIG. 2 is a front-bottom perspective view thereof;

FIG. 3 is a rear-top perspective view thereof;

FIG. 4 is a rear-bottom perspective view thereof;

FIG. 5 is a front elevational view thereof;

FIG. 6 is a rear elevational view thereof;

FIG. 7 is a left elevational view thereof;

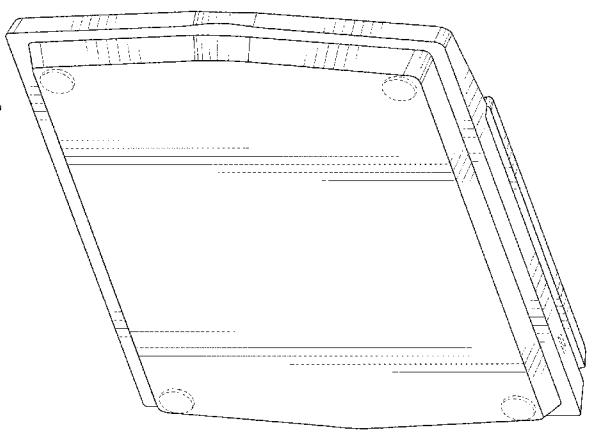
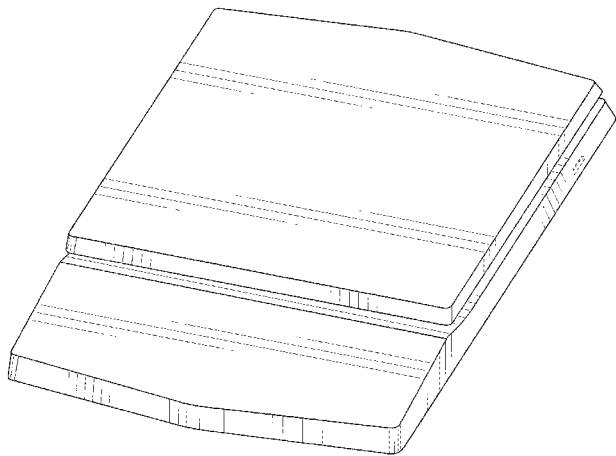
FIG. 8 is a right elevational view thereof;

FIG. 9 is a top plan view thereof; and,

FIG. 10 is a bottom plan view thereof.

The broken lines shown are for illustrative purposes only and form no part of the claimed design.

1 Claim, 10 Drawing Sheets



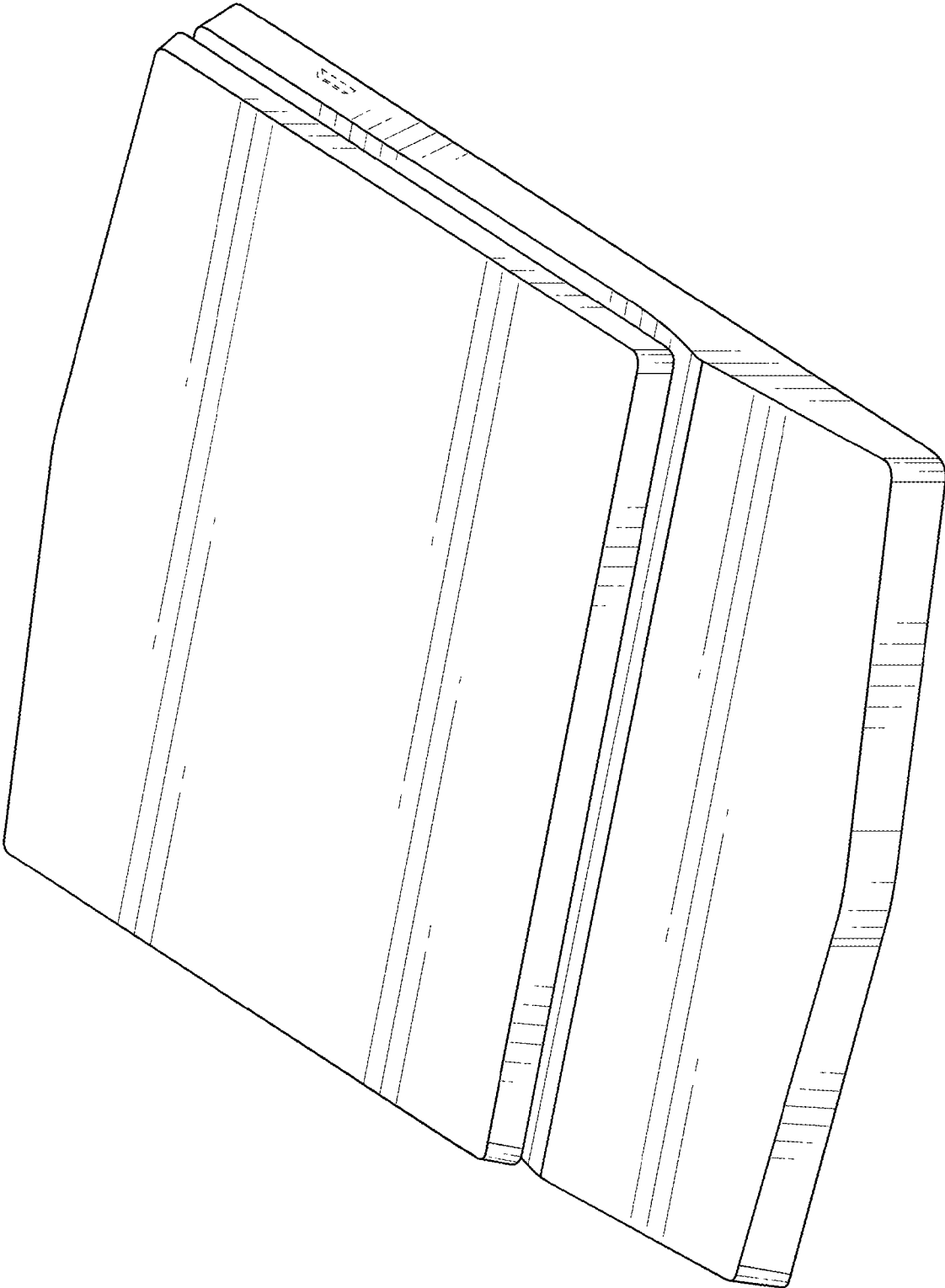


FIG. 1

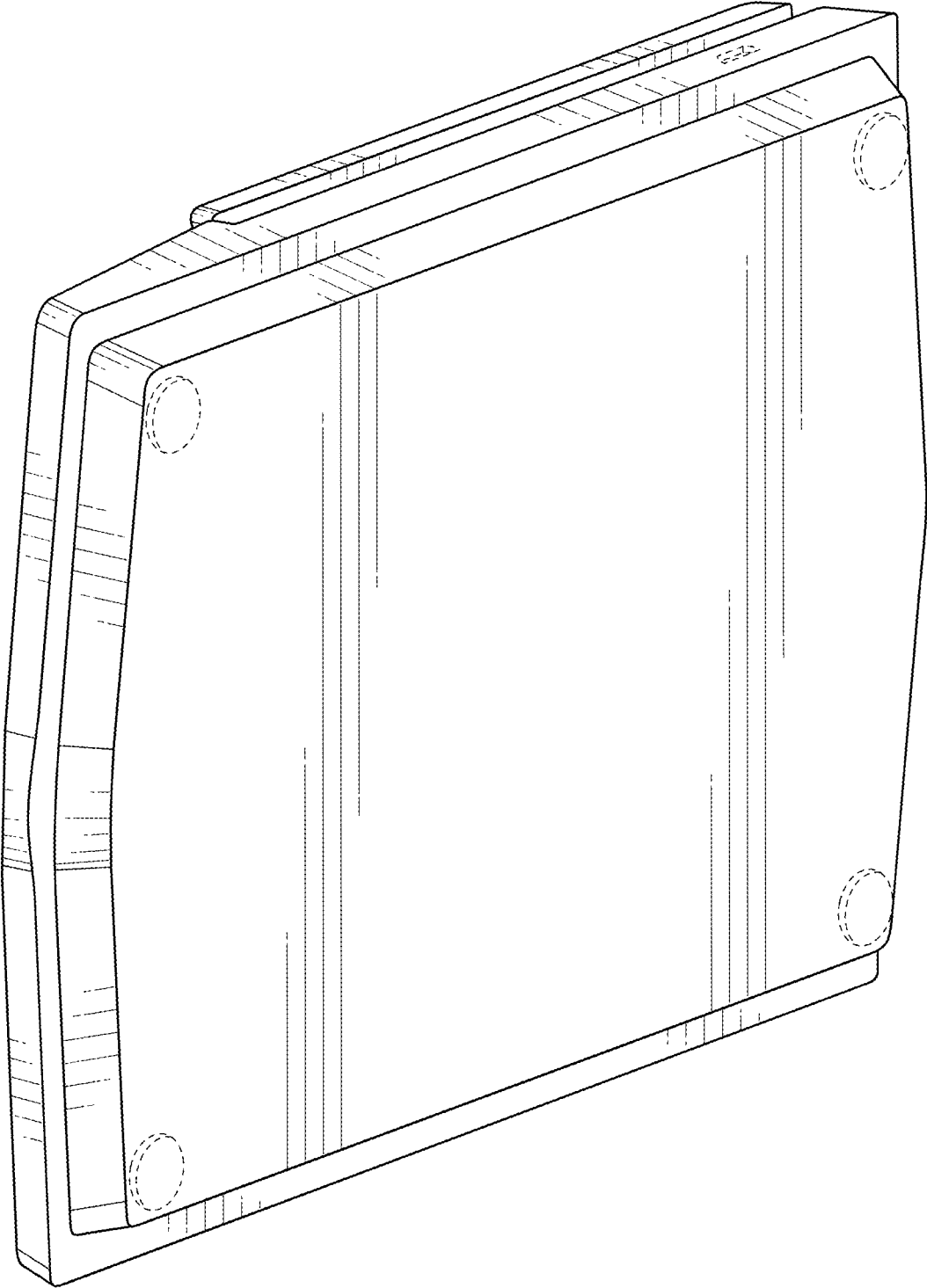


FIG. 2

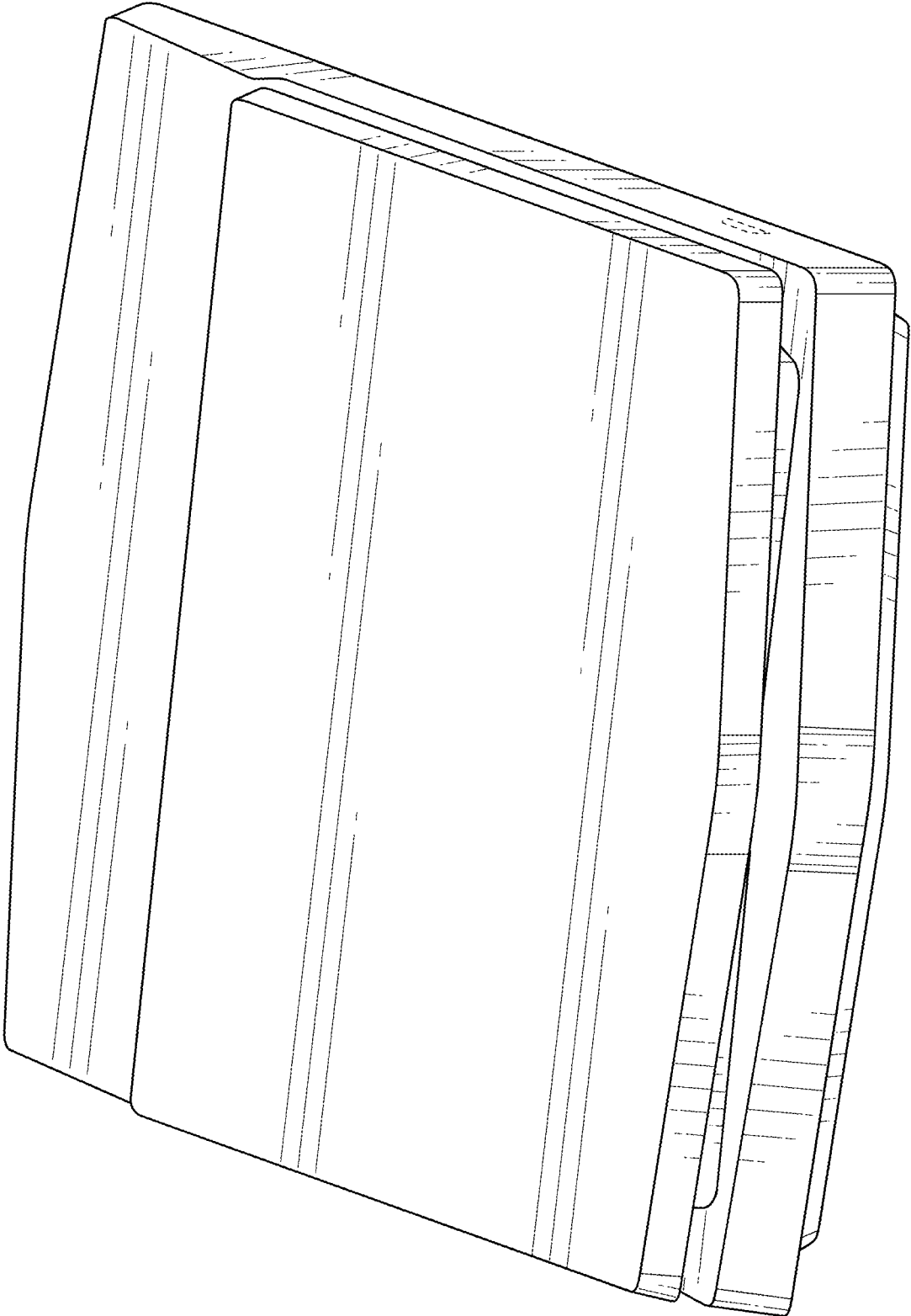


FIG. 3

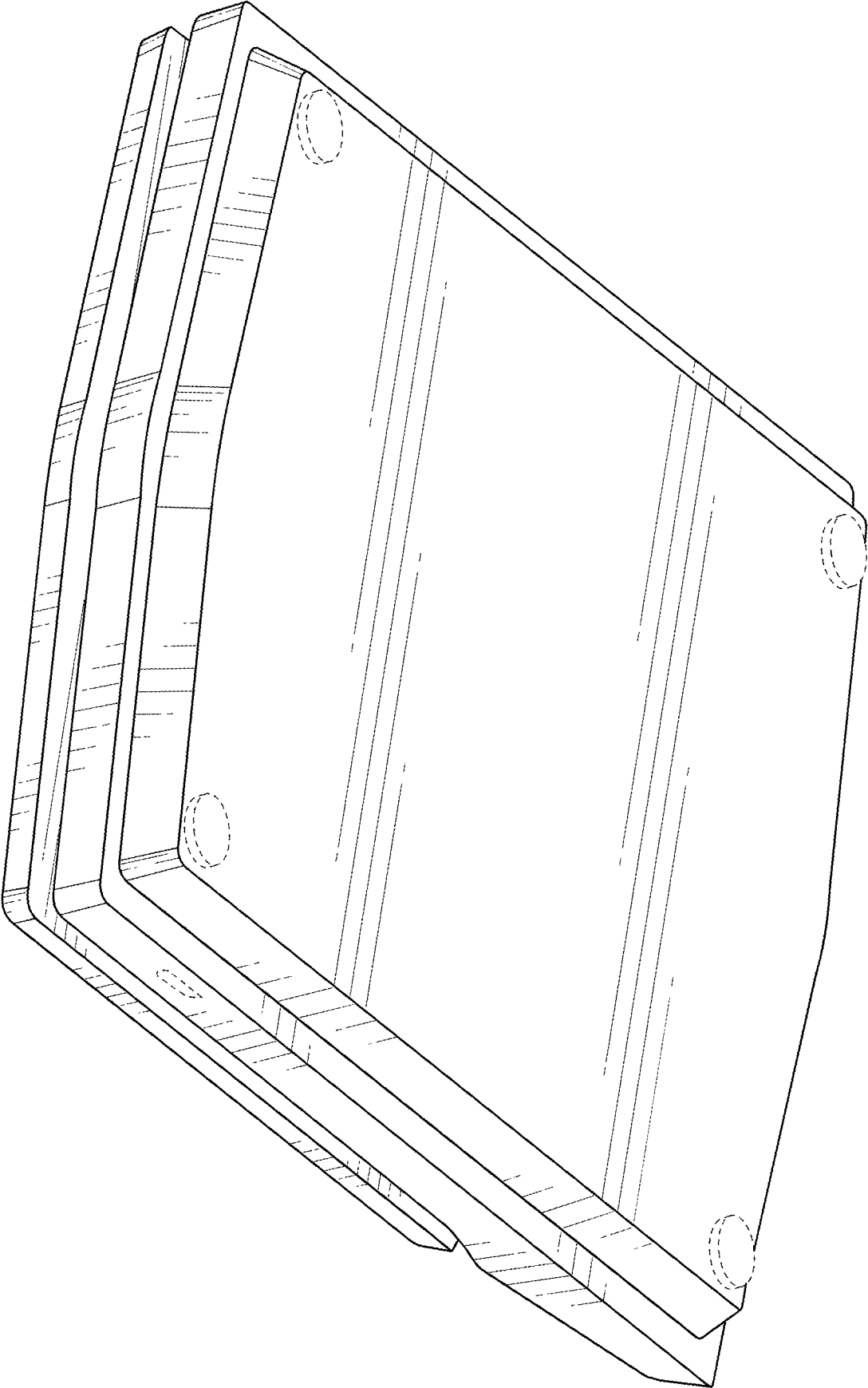


FIG. 4

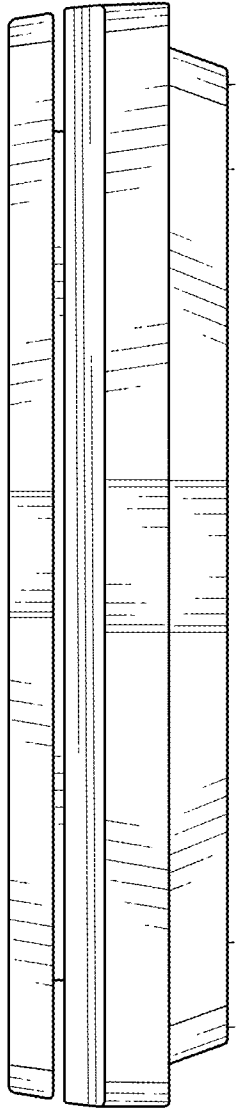


FIG. 5

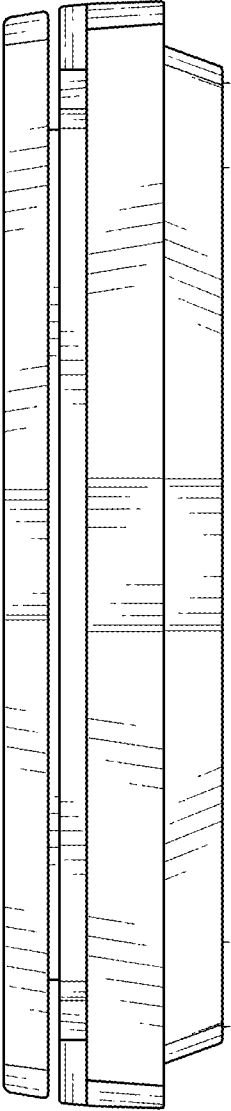


FIG. 6

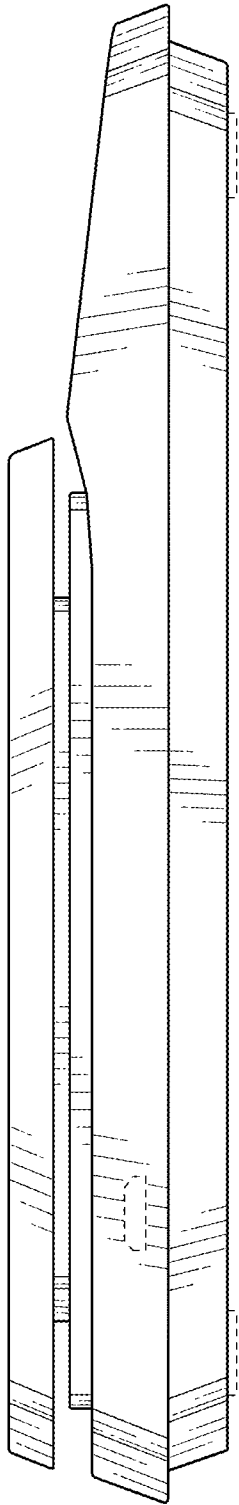


FIG. 7

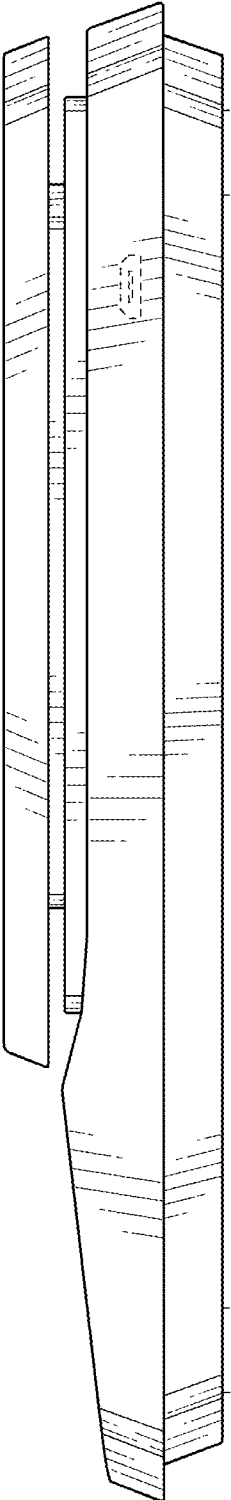


FIG. 8

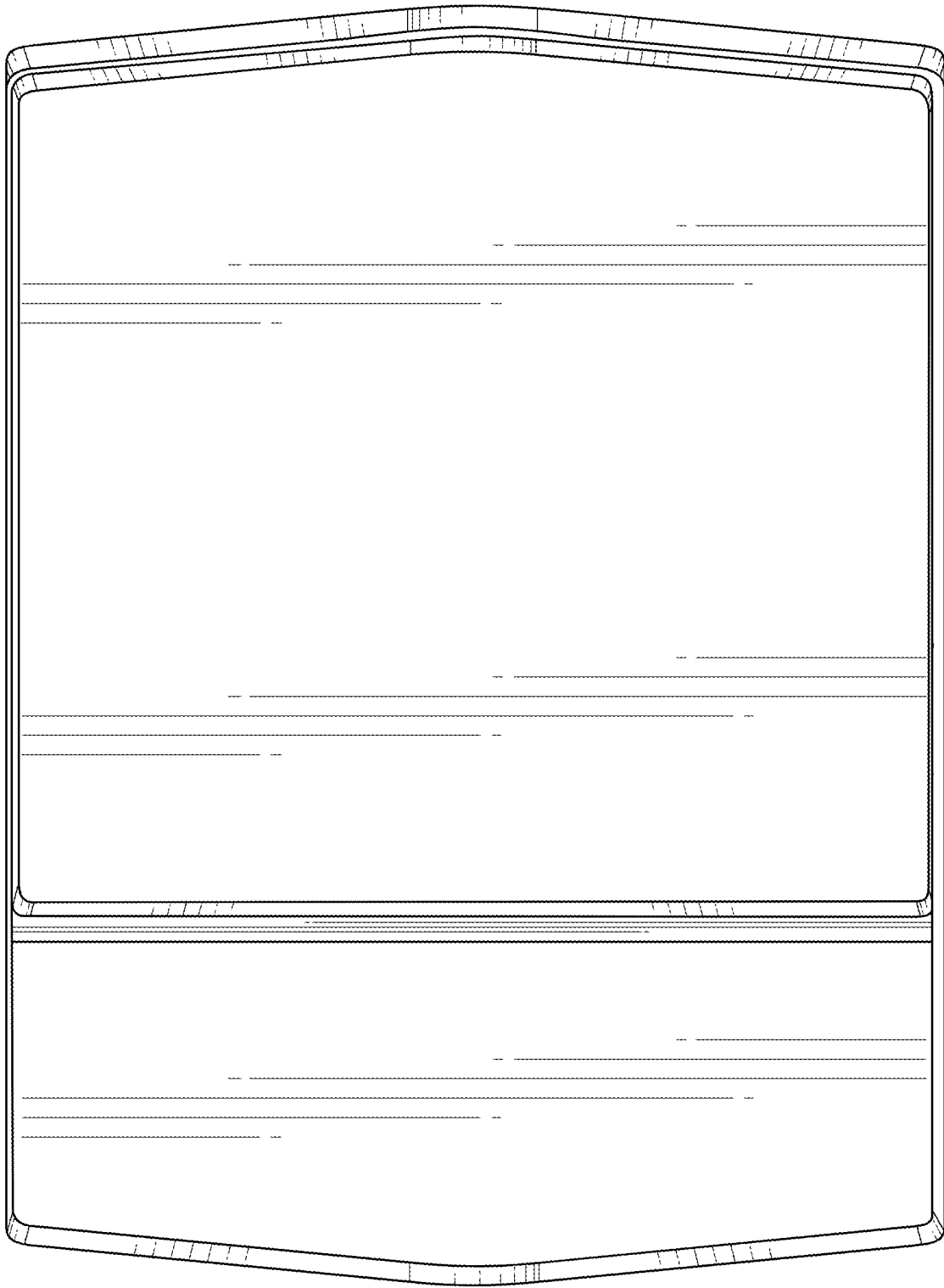


FIG. 9

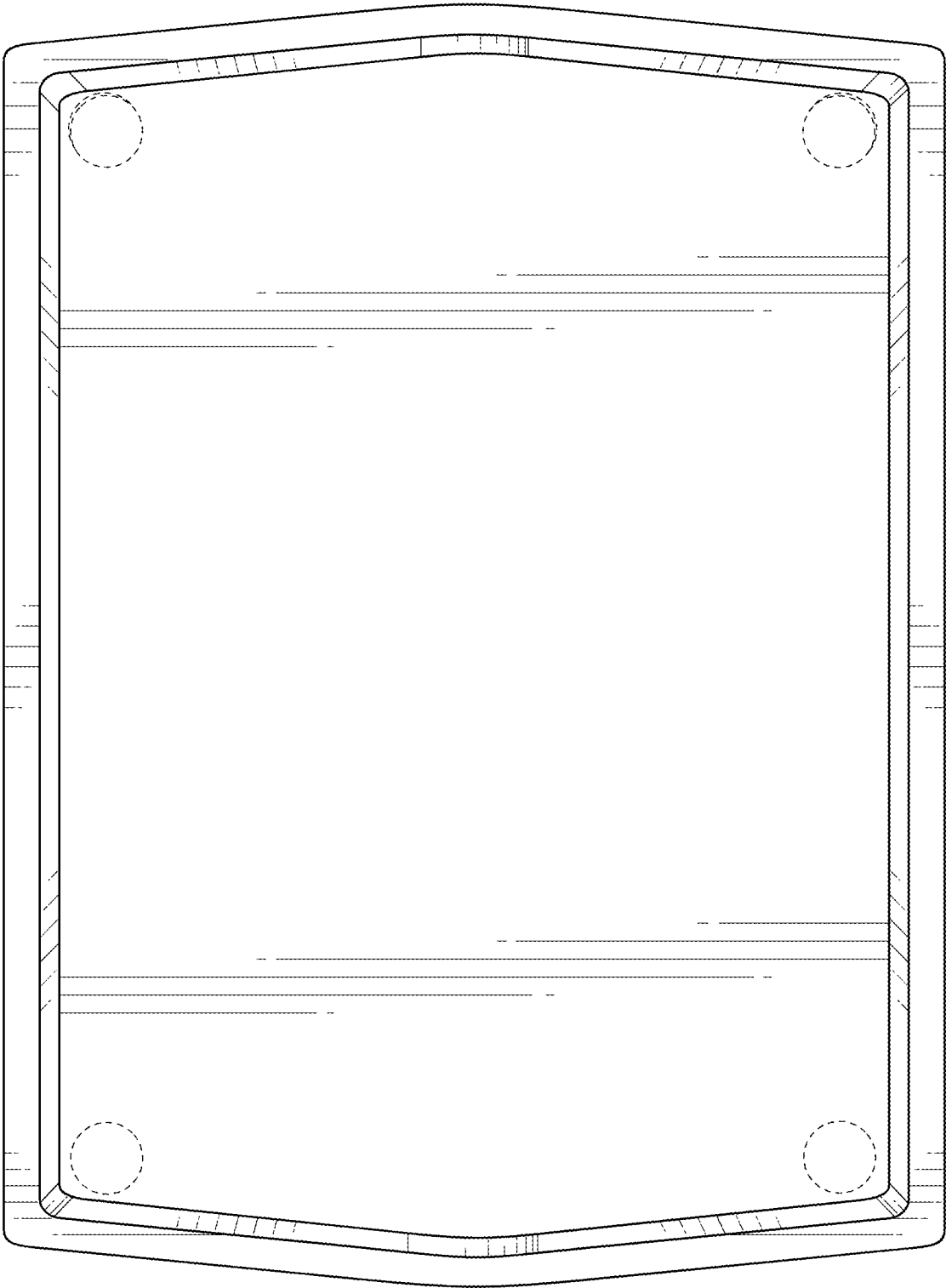


FIG. 10