



US00D633388S

(12) **United States Design Patent**
Andre et al.

(10) **Patent No.:** **US D633,388 S**

(45) **Date of Patent:** **** Mar. 1, 2011**

(54) **PACKAGING**

(75) Inventors: **Bartley K. Andre**, Menlo Park, CA (US); **Daniel J. Coster**, San Francisco, CA (US); **Daniele De Iuliis**, San Francisco, CA (US); **Richard P. Howarth**, San Francisco, CA (US); **Jonathan P. Ive**, San Francisco, CA (US); **Steve Jobs**, Palo Alto, CA (US); **Duncan Robert Kerr**, San Francisco, CA (US); **Shin Nishibori**, Portola Valley, CA (US); **Matthew Dean Rohrbach**, San Francisco, CA (US); **Peter Russell-Clarke**, San Francisco, CA (US); **Douglas B. Satzger**, Menlo Park, CA (US); **Calvin Q. Seid**, Palo Alto, CA (US); **Vincent Keane Seid**, legal representative, Los Gatos, CA (US); **Christopher J. Stringer**, Woodside, CA (US); **Eugene Antony Whang**, San Francisco, CA (US); **Rico Zorkendorfer**, San Francisco, CA (US)

(73) Assignee: **Apple Inc.**, Cupertino, CA (US)

(**) Term: **14 Years**

(21) Appl. No.: **29/363,450**

(22) Filed: **Jun. 9, 2010**

Related U.S. Application Data

(60) Continuation of application No. 29/340,508, filed on Jul. 20, 2009, now Pat. No. Des. 620,795, which is a division of application No. 29/281,505, filed on Jun. 25, 2007, now Pat. No. Des. 596,485.

(51) **LOC (9) Cl.** **09-03**

(52) **U.S. Cl.** **D9/456**

(58) **Field of Classification Search** D9/430-433, D9/414, 418, 420-423, 456, 529, 560; 206/278, 206/297, 299, 320, 433, 457, 770, 737, 769, 206/776, 777, 778; 229/100, 101, 103.3, 229/106, 107, 108, 108.1, 109, 110, 112, 229/116, 116.5, 117, 117.01, 117.03-117.08, 229/121, 122, 122.24, 122.29, 125.015, 126, 229/152, 181.1, 185.1, 186, 201, 917, 922, 229/923, 930-933, 935, 937, 939, 942; 220/796

See application file for complete search history.

(56) **References Cited**

U.S. PATENT DOCUMENTS

1,315,593 A 9/1919 Binder

(Continued)

FOREIGN PATENT DOCUMENTS

EM 00056403-0001 8/2006

(Continued)

OTHER PUBLICATIONS

U.S. Appl. No. 11/849,176 entitled "Packaging" filed Aug. 31, 2007.

(Continued)

Primary Examiner—Robert M Spear

Assistant Examiner—Karen Acker

(74) *Attorney, Agent, or Firm*—Sterne, Kessler, Goldstein & Fox PLLC

(57) **CLAIM**

The ornamental design for packaging, as shown and described.

DESCRIPTION

FIG. 1 is a top perspective view of packaging showing our new design;

FIG. 2 is a bottom perspective view thereof;

FIG. 3 is a front view thereof;

FIG. 4 is a rear view thereof;

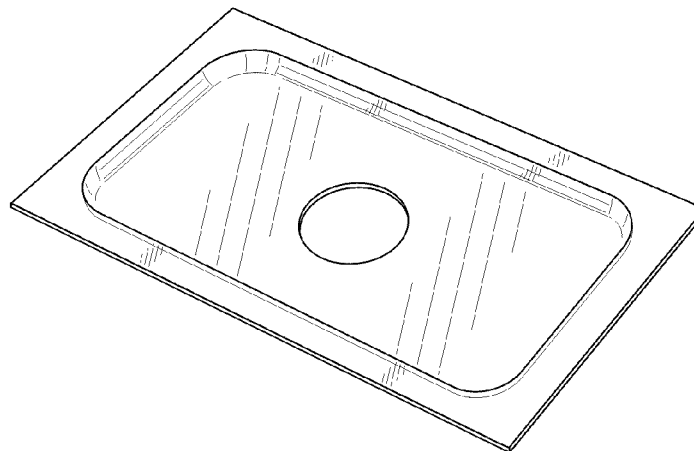
FIG. 5 is a side view thereof;

FIG. 6 is another side view thereof;

FIG. 7 is a top plan view thereof; and,

FIG. 8 is a bottom plan view thereof.

1 Claim, 5 Drawing Sheets



U.S. PATENT DOCUMENTS

1,518,219 A 12/1924 Peter
 1,650,039 A 11/1927 Price
 D111,649 S 10/1938 Di Domenico
 D114,891 S 5/1939 Fogel
 2,316,384 A 4/1943 Abramson
 2,606,708 A 8/1952 Irvan
 2,722,719 A 11/1955 Altstadter
 3,463,309 A 8/1969 Szostek
 3,487,921 A 1/1970 Barth et al.
 3,850,333 A 11/1974 Reichert
 D246,349 S 11/1977 Klupt
 D246,439 S 11/1977 Lynn et al.
 4,085,845 A 4/1978 Perfect
 D248,621 S 7/1978 Hay et al.
 4,106,597 A 8/1978 Shook et al.
 D257,585 S * 12/1980 Neuwirth D9/425
 4,293,074 A 10/1981 Dunskey
 D268,646 S * 4/1983 Hudson, Jr. D9/456
 D280,290 S 8/1985 Bakus
 4,542,822 A 9/1985 Kennedy, Jr. et al.
 4,606,459 A 8/1986 Luray
 4,606,460 A 8/1986 Luray
 4,739,353 A 4/1988 Heuer et al.
 4,876,136 A 10/1989 Chang et al.
 4,953,705 A 9/1990 Evamy
 D312,358 S 11/1990 Horne
 5,040,678 A 8/1991 Lenmark, Sr. et al.
 5,092,354 A * 3/1992 Pacelli, Jr. 132/294
 5,105,941 A 4/1992 Dolan et al.
 D331,191 S 11/1992 Ventola et al.
 5,251,760 A 10/1993 Smith et al.
 5,295,580 A 3/1994 Hicks
 5,484,063 A 1/1996 Cuccio et al.
 D369,295 S 4/1996 Kobari et al.
 D369,469 S 5/1996 Gregory
 5,573,119 A 11/1996 Luray
 D382,735 S 8/1997 Zapf
 D385,156 S 10/1997 Balari
 5,694,744 A 12/1997 Jones
 D397,552 S 9/1998 Rutledge
 D406,463 S 3/1999 Rutledge
 5,893,462 A 4/1999 Ridgeway
 D411,448 S 6/1999 Baker
 5,950,830 A * 9/1999 Trigger 206/440
 5,967,327 A 10/1999 Jones
 D417,391 S 12/1999 Szczepanski et al.

6,010,006 A 1/2000 Ridgeway et al.
 6,154,360 A 11/2000 Kaczeus, Sr. et al.
 6,241,090 B1 6/2001 Kaplinsky
 6,302,274 B1 10/2001 Ridgeway
 6,305,539 B1 10/2001 Sanders, Jr.
 6,367,624 B1 4/2002 Szczepanski et al.
 6,400,247 B1 6/2002 King
 D490,977 S 6/2004 Freeman
 D506,744 S 6/2005 Andre et al.
 6,920,981 B2 7/2005 Lofgren et al.
 7,086,534 B2 8/2006 Roesel et al.
 7,117,993 B2 10/2006 Koike
 D541,045 S 4/2007 Peart et al.
 7,296,681 B2 11/2007 McDonald et al.
 D558,571 S 1/2008 Andre et al.
 D558,572 S 1/2008 Andre et al.
 D572,588 S * 7/2008 Osborn et al. D9/456
 D580,752 S 11/2008 Andre et al.
 D582,267 S 12/2008 Andre et al.
 D584,141 S * 1/2009 Smith et al. D9/425
 D584,142 S 1/2009 Andre et al.
 7,494,015 B2 2/2009 Bacon et al.
 7,506,758 B2 3/2009 Davis-Garrison
 7,520,389 B2 4/2009 Lalouette
 D596,485 S 7/2009 Andre et al.
 D607,317 S 1/2010 Collins
 D614,023 S * 4/2010 Amos et al. D9/416
 D616,741 S 6/2010 Andre et al.
 D621,256 S * 8/2010 Andre et al. D9/432
 D624,403 S * 9/2010 Hansen et al. D9/426
 2006/0266672 A1 11/2006 Young
 2010/0025278 A1 * 2/2010 Tilton 206/459.5

FOREIGN PATENT DOCUMENTS

JP 61-40925 3/1986
 JP D1066280 4/2000
 JP D1079431 7/2000
 KR 30-0253042 2/2000
 KR 30-0267299 12/2000
 KR 3004262930000 9/2006
 TW 0488766 9/1989
 TW D105819 8/2005

OTHER PUBLICATIONS

U.S. Appl. No. 29/284,343 entitled "Packaging" filed Sep. 5, 2007.

* cited by examiner

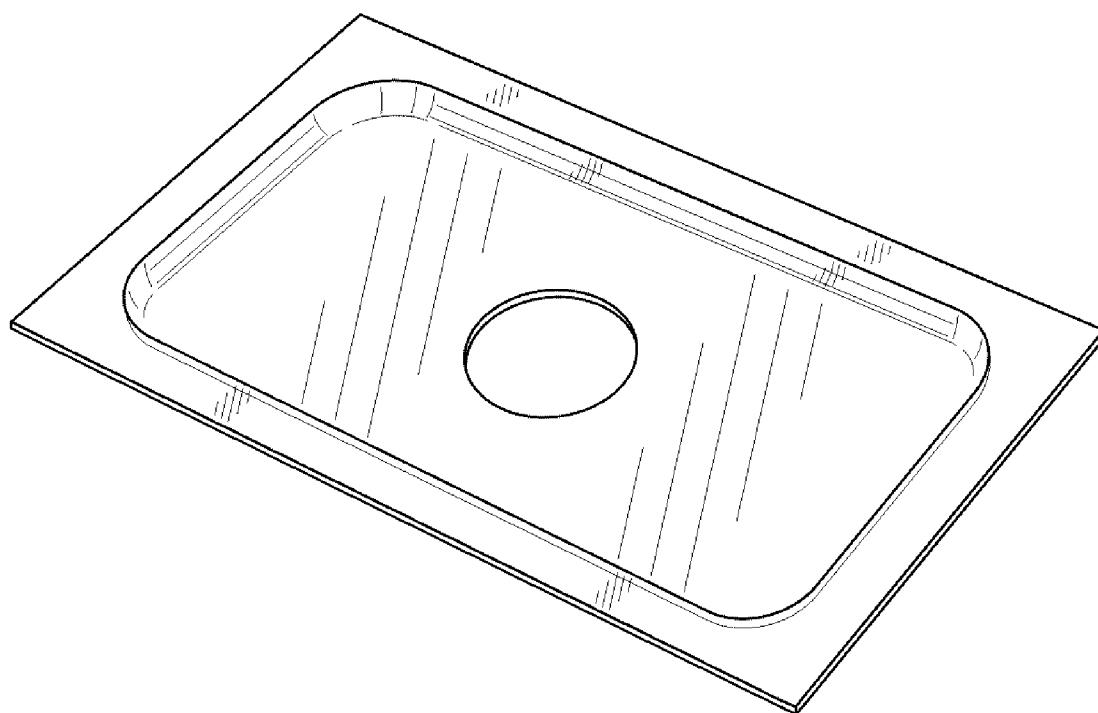


FIG. 1

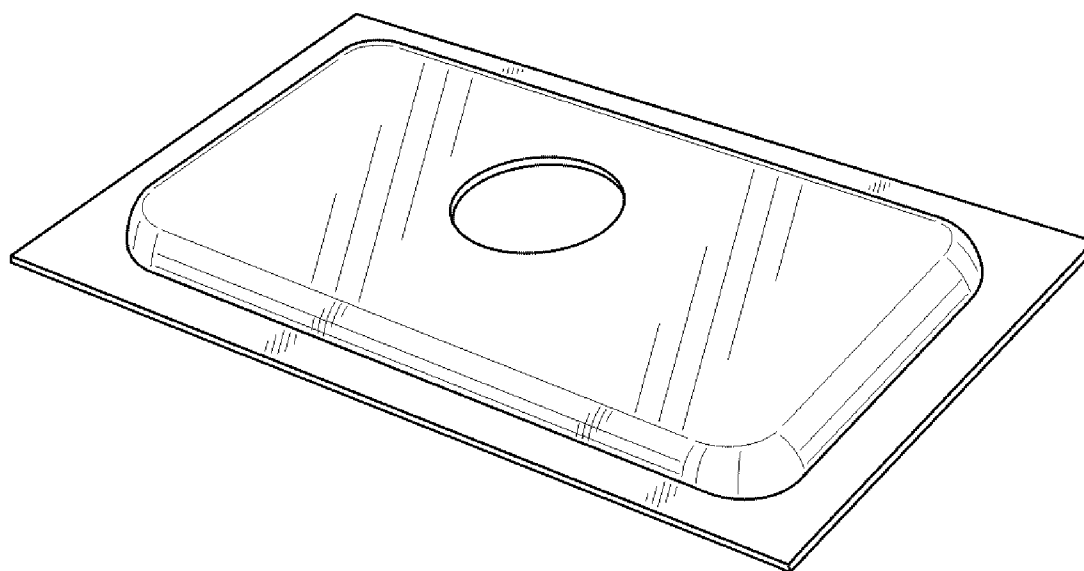


FIG. 2



FIG. 3

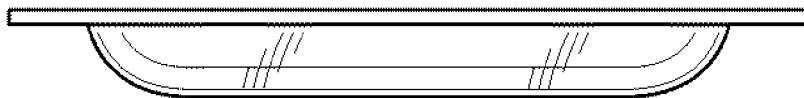


FIG. 4



FIG. 5

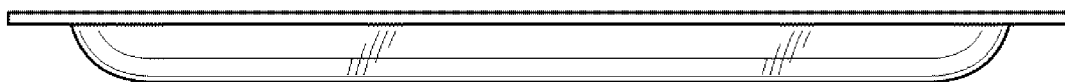


FIG. 6

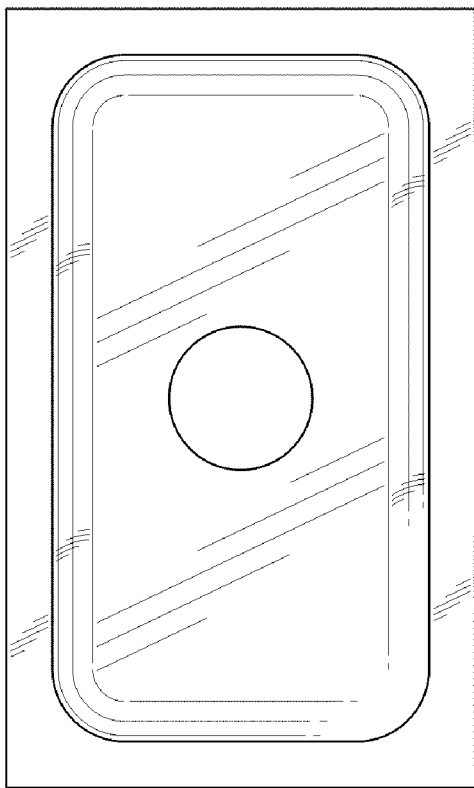


FIG. 7

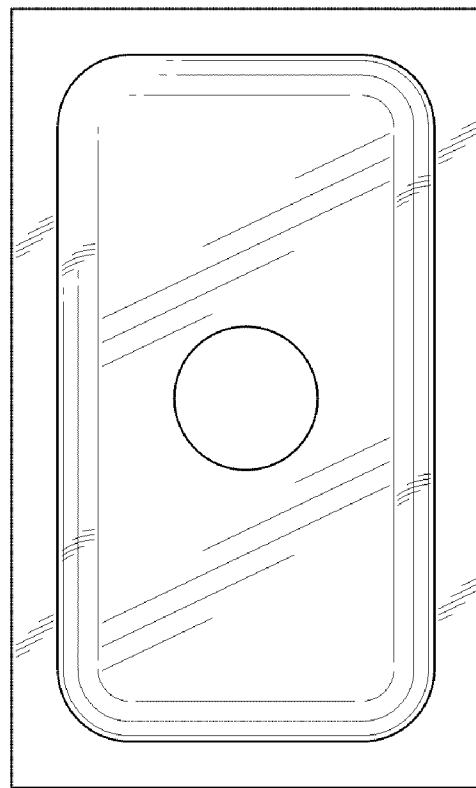


FIG. 8