

(12) **UK Patent Application** (19) **GB** (11) **2 417 946** (13) **A**

(43) Date of Printing by UK Office **15.03.2006**

(21) Application No: **0525548.4**

(22) Date of Filing: **30.09.2003**

(30) Priority Data:
(31) **60472834** (32) **22.05.2003** (33) **US**
(31) **10608054** (32) **27.06.2003**

(86) International Application Data:
PCT/US2003/031056 En 30.09.2003

(87) International Publication Data:
WO2004/106181 En 09.12.2004

(71) Applicant(s):
Michael L F Chan
1407 Arch Street, Berkeley,
California 94708, United States of America

(72) Inventor(s):
Michael L F Chan

(continued on next page)

(51) INT CL:
B65D 25/54 (2006.01) **B42D 15/08** (2006.01)

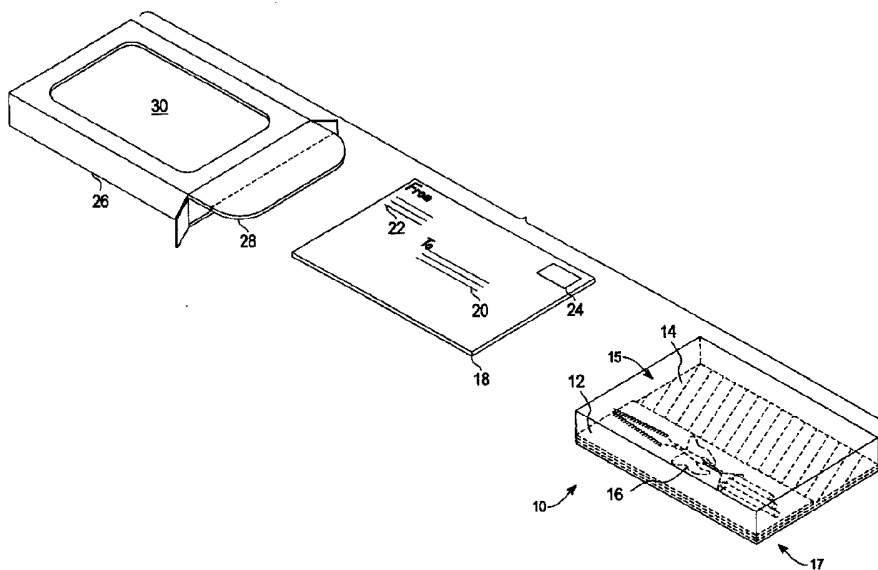
(52) UK CL (Edition X):
B8P PQ

(56) Documents Cited by ISA:
US 5409105 A **US 5353931 A**
US 4867372 A **US 4739353 A**
US 4154338 A **US 3286905 A**
US 20020162757 A1

(58) Field of Search by ISA:
Other: **US: 206/232, 769, 770, 771, 767; 229/92, 92.8, 921, 162**

(54) Abstract Title: **Gift display box**

(57) A device for display and mailing of a gift (14, 16). The device includes an inner gift holding box (10) having a transparent top surface (15) through which a display item (14, 16) could be viewed. This inner gift box (10) is inserted into an outer mailing box (26). When the gift holding box (10) is nested into the outer mailing box (26), the gift (14, 16) may still be viewed through a cutout (30) on the top of outer mailing box (26). The device includes a means for displaying mailing information (18), such as sender and recipient addresses, which also hides the content of the box, allowing the box to be used for both display and shipping of a gift item (14, 16).



GB 2417946 A continuation

(74) Agent and/or Address for Service:
Beresford & Co
16 High Holborn, LONDON, WC1V 6BX,
United Kingdom