



US00D413338S

United States Patent [19]

[11] Patent Number: Des. 413,338

Pueyo Molina

[45] Date of Patent: ** Aug. 31, 1999

[54] TOOTH FOR AN EXCAVATING MACHINE

[75] Inventor: Javier Pueyo Molina, Barcelona, Spain

[73] Assignee: Metalogenia, S.A., Premia de Mar, Spain

[**] Term: 14 Years

[21] Appl. No.: 29/094,302

[22] Filed: Sep. 28, 1998

[51] LOC (6) Cl. 15-04

[52] U.S. Cl. D15/29

[58] Field of Search D15/10, 28, 29; 37/452-458

[56] **References Cited**

U.S. PATENT DOCUMENTS

| | | | | |
|------------|---------|-----------------|-------|--------|
| D. 329,243 | 9/1992 | Robinson | | D15/29 |
| D. 336,304 | 6/1993 | Robinson | | D15/29 |
| D. 345,364 | 3/1994 | Robinson | | D15/29 |
| D. 365,109 | 12/1995 | Robinson et al. | | D15/28 |
| D. 389,844 | 1/1998 | Moreno | | D15/29 |
| D. 391,583 | 3/1998 | Moreno | | D15/29 |
| D. 395,661 | 6/1998 | Moreno | | D15/29 |
| 3,959,901 | 6/1976 | Klett | . | |

Primary Examiner—Sandra L. Morris
Attorney, Agent, or Firm—Darby & Darby

[57] **CLAIM**

The ornamental design for a tooth for an excavating machine, as shown and described.

DESCRIPTION

FIG. 1 is a perspective view as viewed from the top showing my new design of a tooth for an excavating machine;

FIG. 2 is a perspective view as viewed from the bottom thereof;

FIG. 3 is a perspective view as viewed from the bottom left thereof;

FIG. 4 is a sectional view thereof taken along line 4—4 of FIG. 5;

FIG. 5 is a top plan view thereof;

FIG. 6 is a bottom plan view thereof;

FIG. 7 is a front elevation view thereof, the rear elevational view being a mirror image;

FIG. 8 is a sectional view thereof taken on line 8—8 of FIG. 7;

FIG. 9 is a perspective view as viewed from the top of a second embodiment thereof;

FIG. 10 is a perspective view as viewed from the bottom thereof;

FIG. 11 is a perspective view as viewed from the bottom left thereof;

FIG. 12 is a sectional view thereof taken along line 12—12 of FIG. 13;

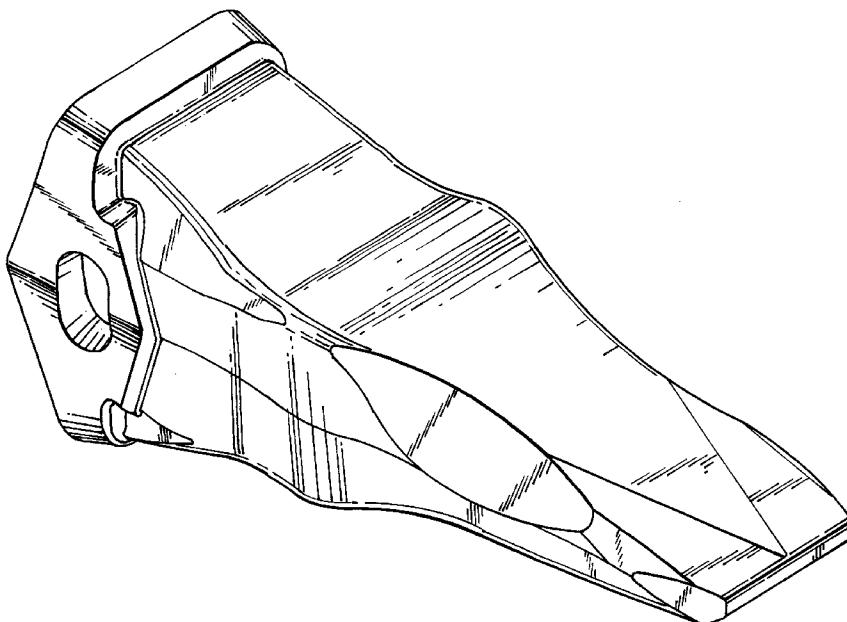
FIG. 13 is a top plan view thereof;

FIG. 14 is a bottom plan view thereof;

FIG. 15 is a front elevational view thereof, the rear elevational view being a mirror image; and,

FIG. 16 is a sectional view thereof taken on line 16—16 of FIG. 15.

1 Claim, 10 Drawing Sheets



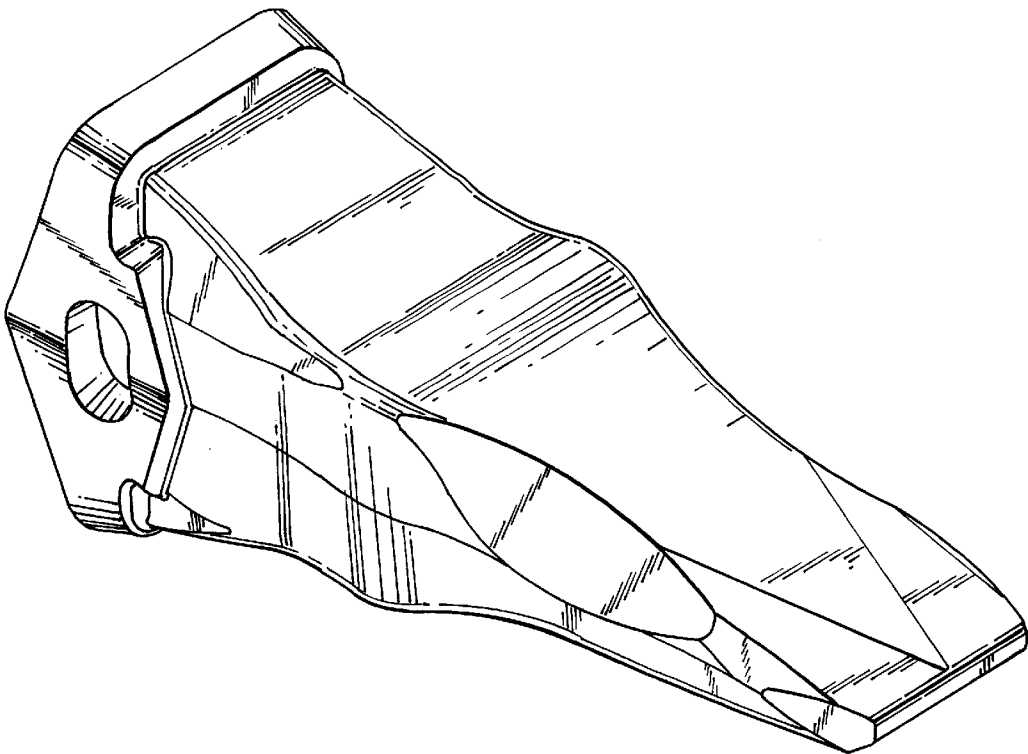


Fig. 1

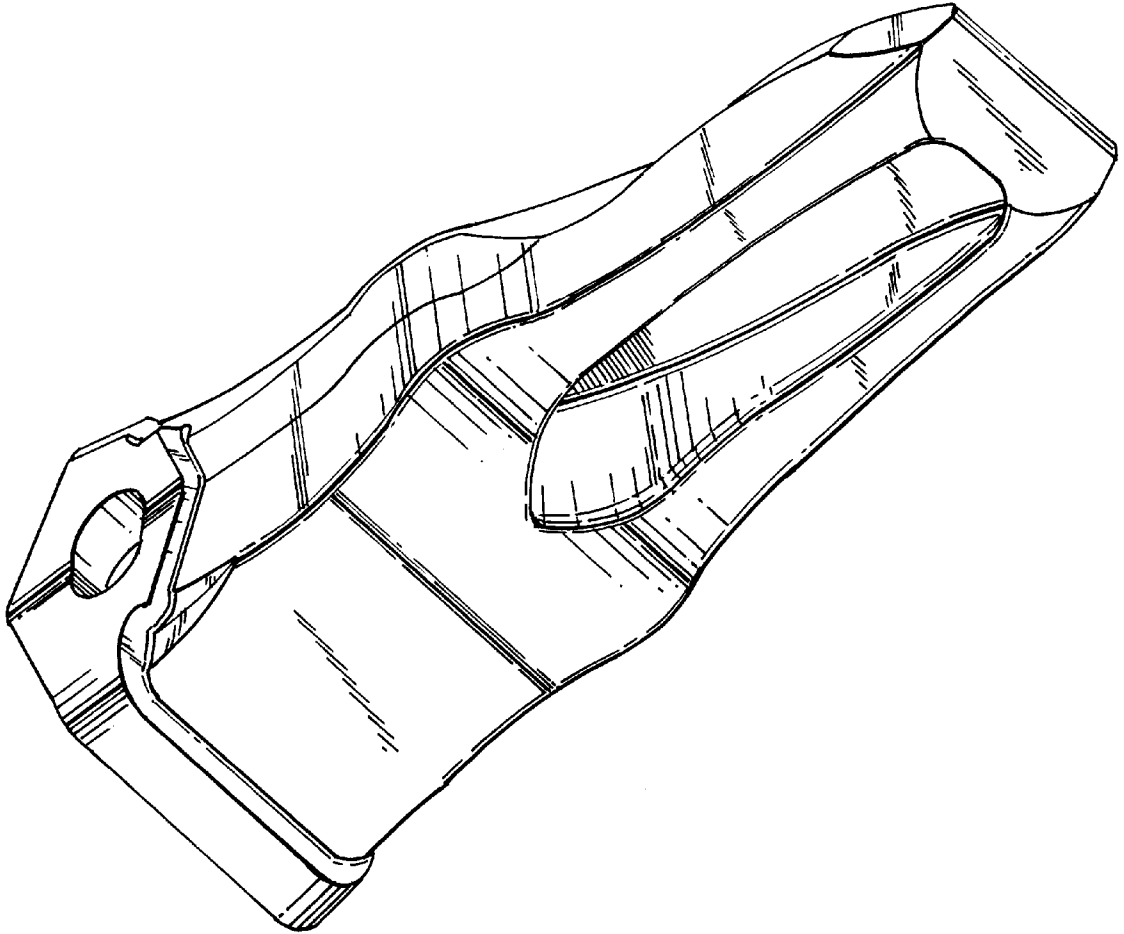


Fig. 2

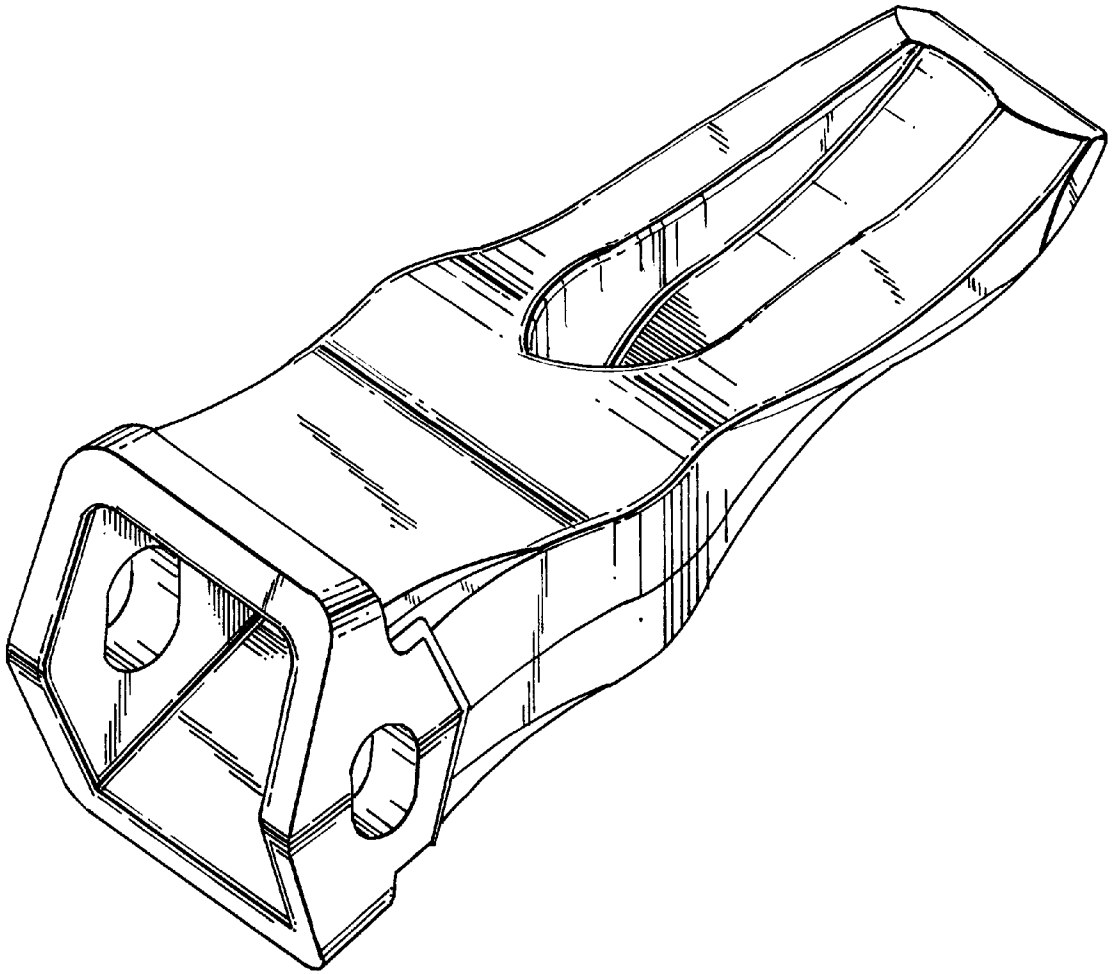


Fig. 3

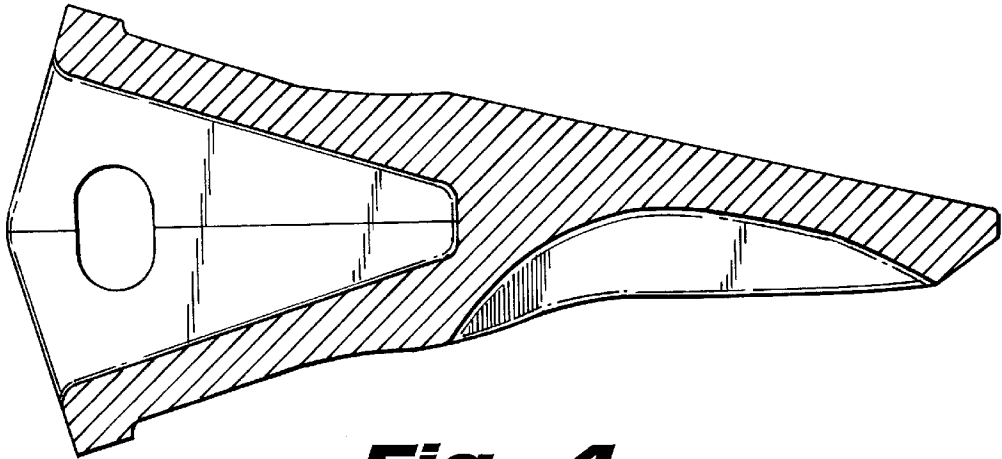


Fig. 4

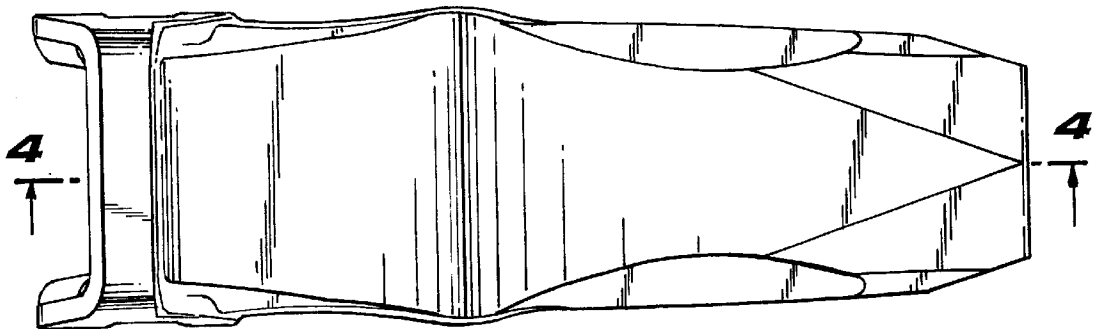


Fig. 5

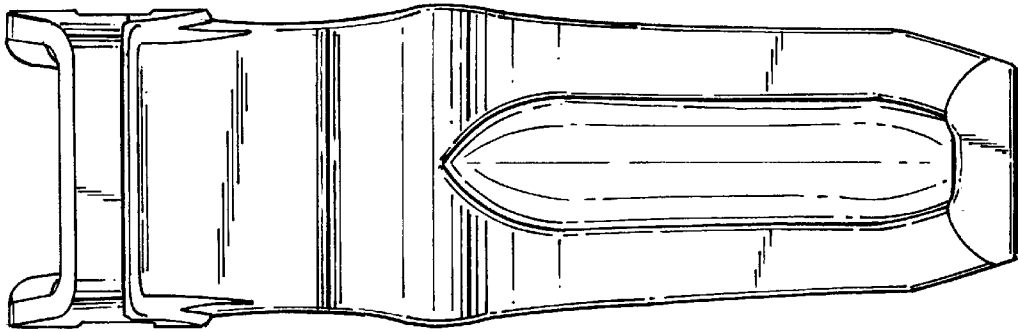


Fig. 6

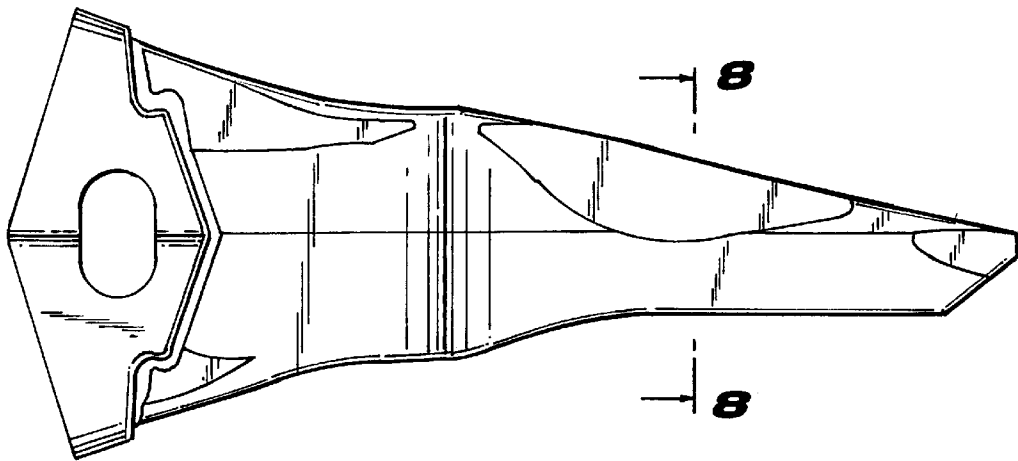


Fig. 7

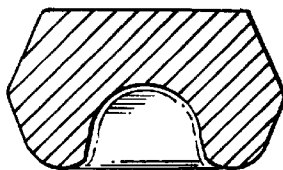


Fig. 8

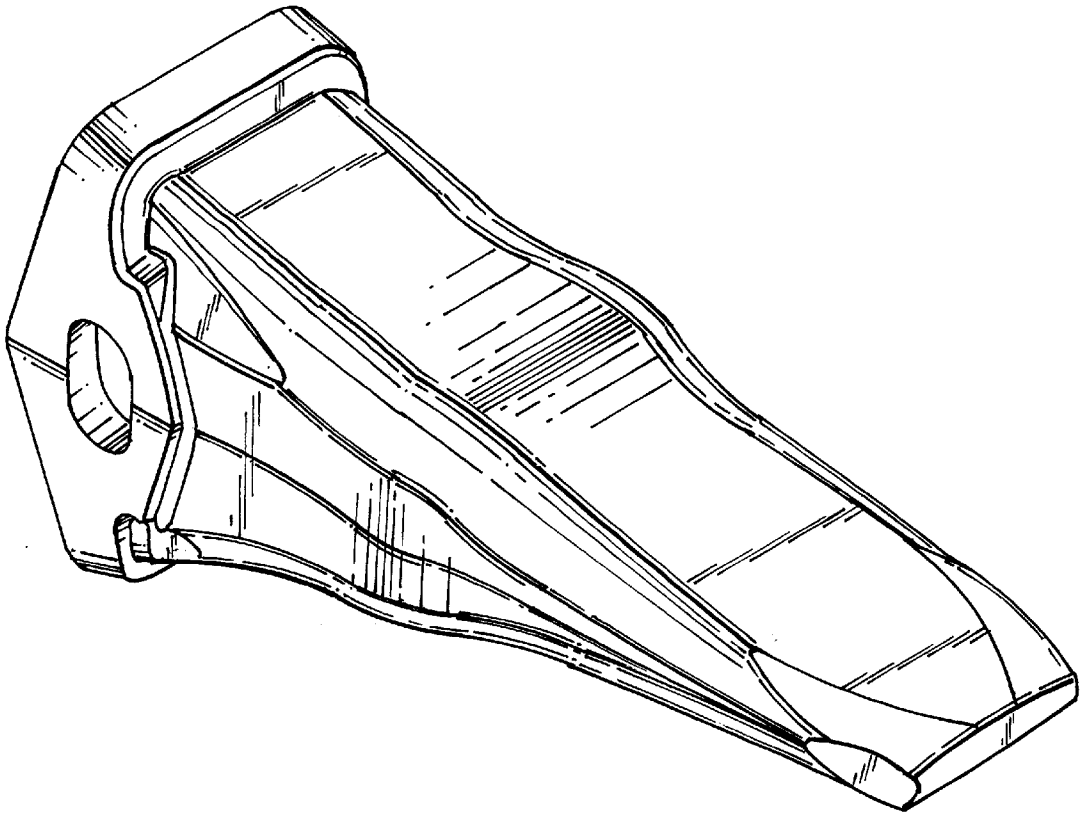


Fig. 9

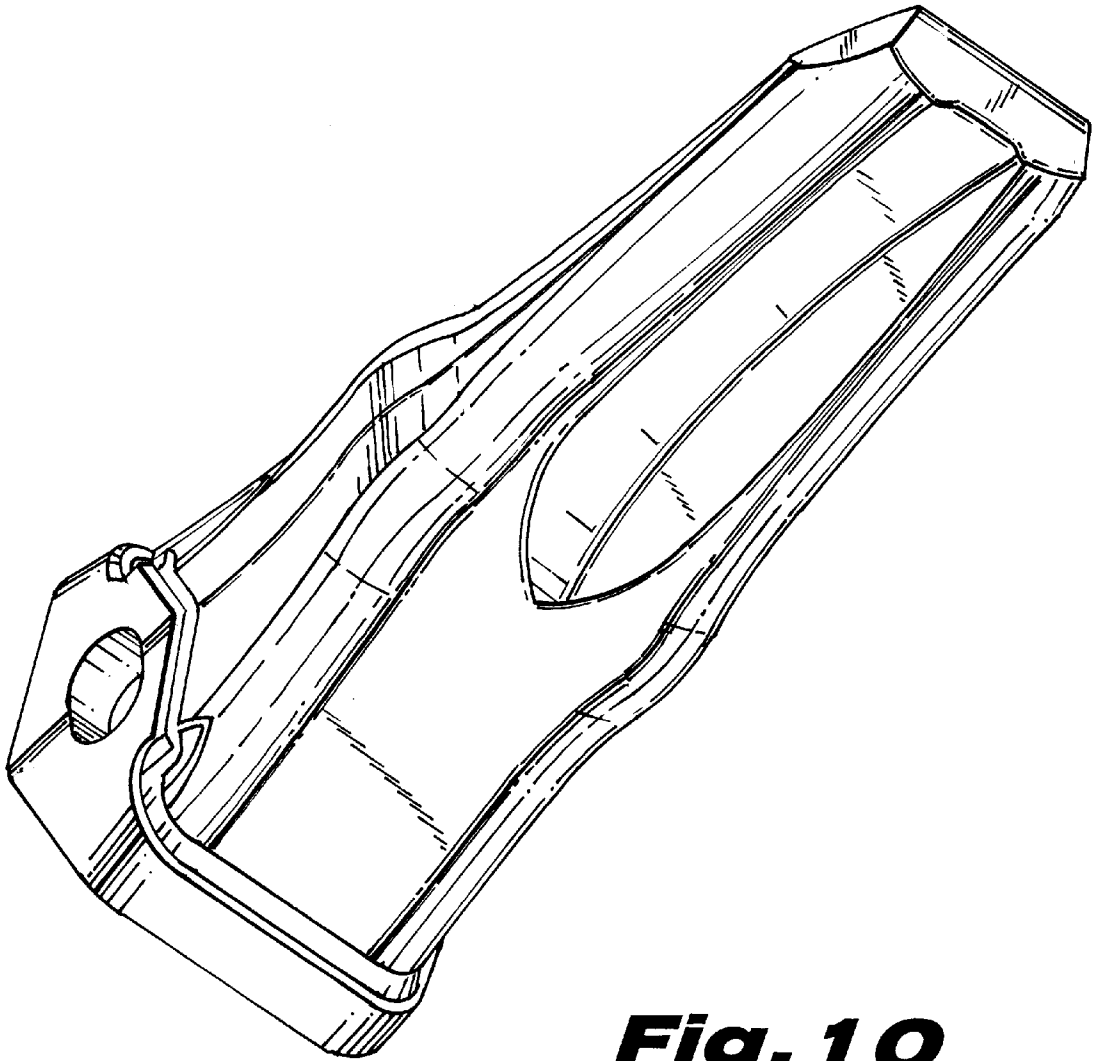


Fig. 10

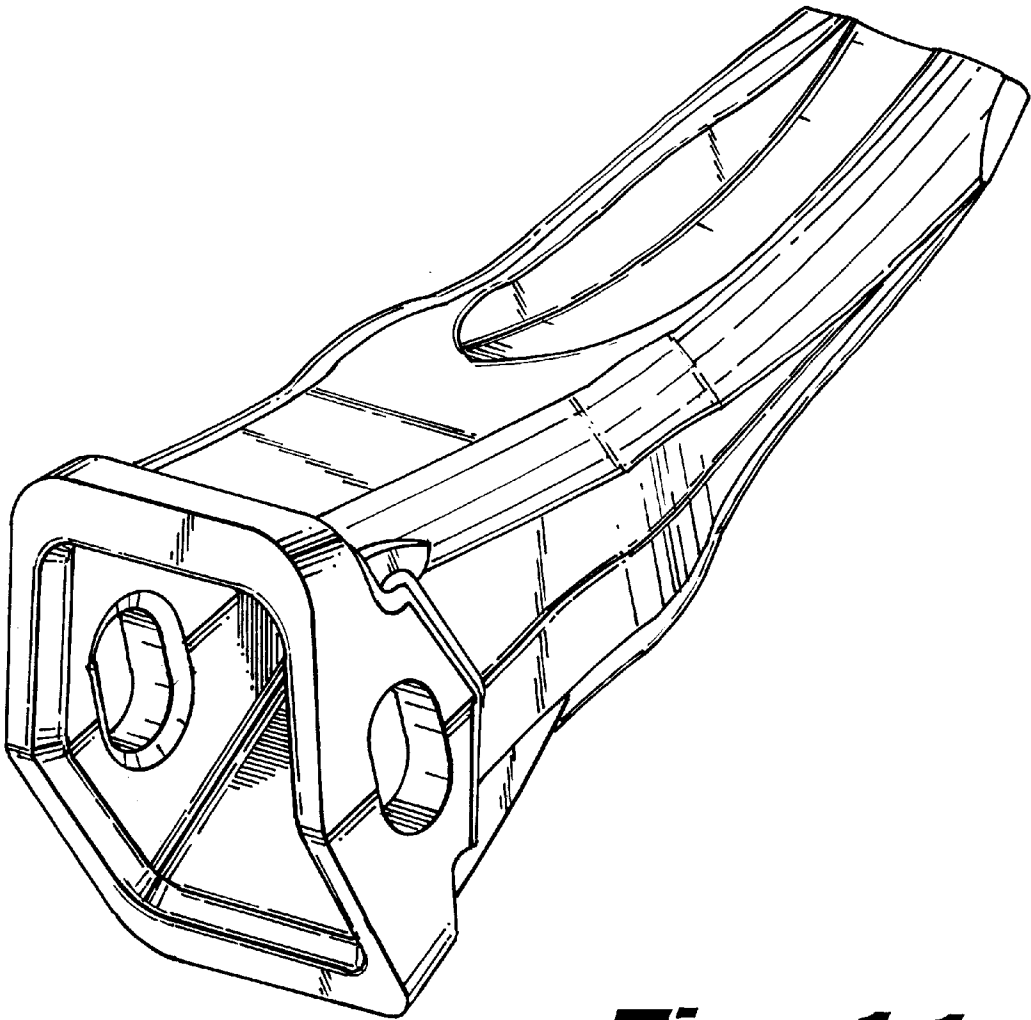


Fig. 11

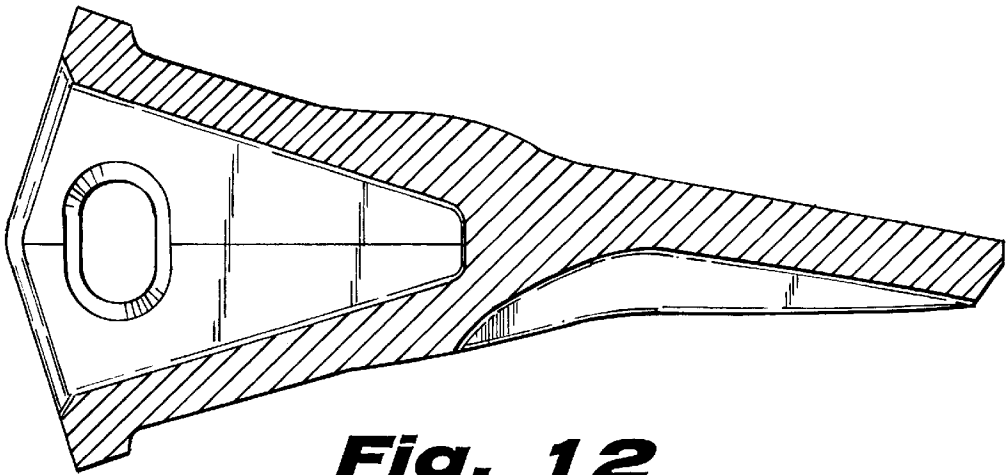


Fig. 12

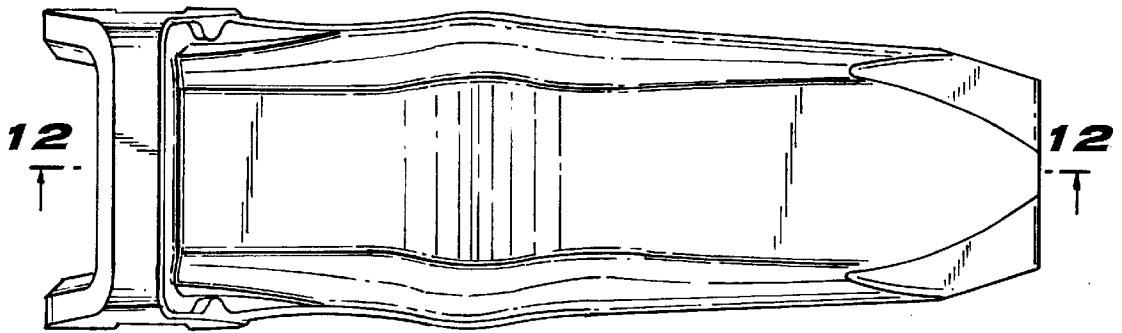


Fig. 13

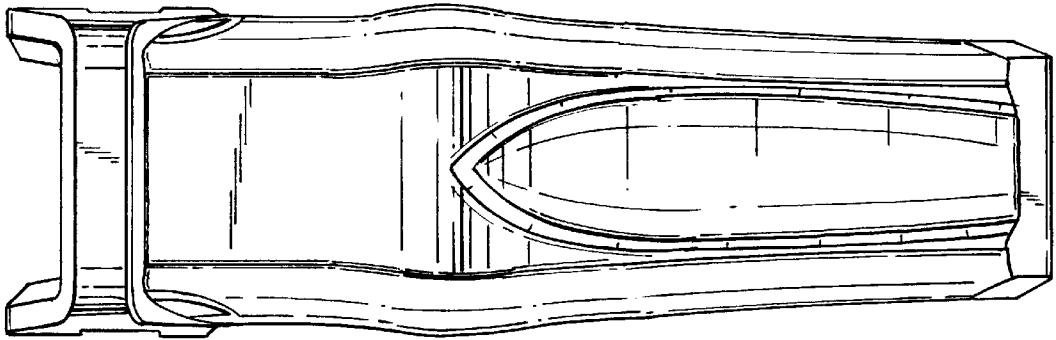


Fig. 14

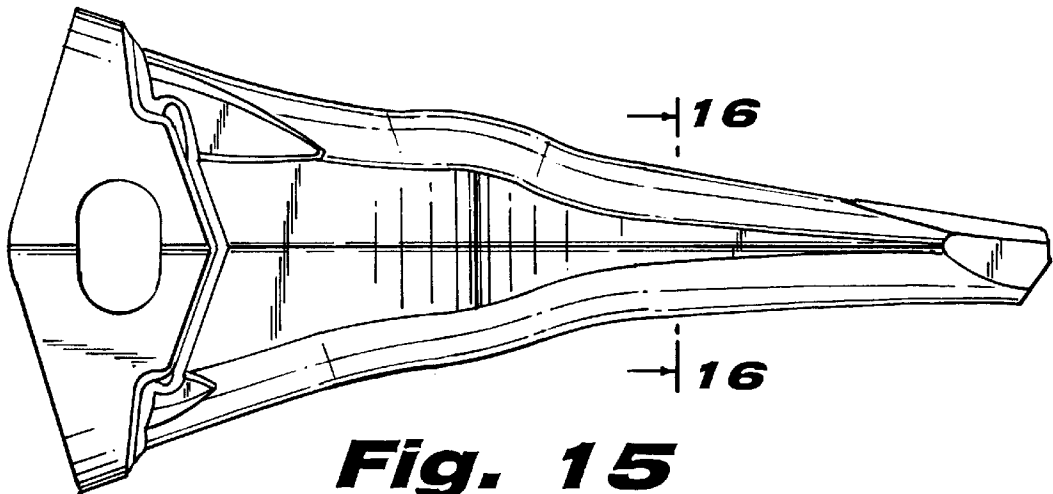


Fig. 15

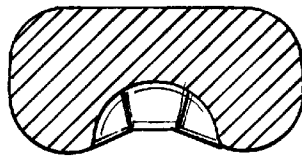


Fig. 16

UNITED STATES PATENT AND TRADEMARK OFFICE
CERTIFICATE OF CORRECTION

PATENT NO. : Des. 413,338
DATED : August 31, 1999
INVENTOR(S) : Javier Pueyo Molina

It is certified that error appears in the above-identified patent and that said Letters Patent is hereby corrected as shown below:

Title page, insert the following:

--[30] Foreign Application Priority Data

March 31, 1998 [ES] Spain..... 142.433

June 10, 1998 [ES] Spain 142.956--.

Signed and Sealed this

Fourteenth Day of March, 2000

Attest:



Q. TODD DICKINSON

Attesting Officer

Commissioner of Patents and Trademarks