



US00D884989S

(12) **United States Design Patent**
Yan et al.

(10) **Patent No.:** **US D884,989 S**

(45) **Date of Patent:** **** May 19, 2020**

(54) **PET COMB**
(71) Applicant: **Suzhou Shengkang Plastic Electric Co., Ltd.**, Suzhou (CN)
(72) Inventors: **Yongkang Yan**, Suzhou (CN); **Changzhou Yan**, Suzhou (CN)
(73) Assignee: **Suzhou Shengkang Plastic Electric Co., Ltd.**, Suzhou (CN)
(**) Term: **15 Years**

D616,649 S * 6/2010 Lin D30/158
D640,874 S * 7/2011 Huang D4/138
8,595,885 B1 * 12/2013 Weinstein A46B 9/023
119/612
D768,389 S * 10/2016 Rosenzweig D4/114
D795,595 S * 8/2017 Exley D4/121
D796,210 S * 9/2017 Hu D28/25
D798,000 S * 9/2017 Knoll D30/159
D803,578 S * 11/2017 Morton D4/138
9,814,214 B1 * 11/2017 Murphy A01K 13/002
D823,006 S * 7/2018 Kim D4/136
D840,608 S * 2/2019 Snead, Sr. D30/159
D859,849 S * 9/2019 Sun D4/134

(Continued)

(21) Appl. No.: **29/695,090**

FOREIGN PATENT DOCUMENTS

(22) Filed: **Jun. 14, 2019**

CA 2502126 A1 * 9/2005 A46B 3/20
GB 2412302 A * 9/2005 A46B 9/023

(30) **Foreign Application Priority Data**

Primary Examiner — Sandra S Snapp

Apr. 8, 2019 (CN) 2019 3 0155474

Assistant Examiner — Mehri F Bajoul

(51) **LOC (12) Cl.** **30-99**

(74) *Attorney, Agent, or Firm* — Wayne & Ken, LLC;
Tony Hom

(52) **U.S. Cl.**

(57)

USPC **D30/158**; D30/159; D4/117

CLAIM

(58) **Field of Classification Search**

The ornamental design for a pet comb, as shown and described.

USPC D30/158–159, 199; D4/104–108, 117,

D4/118, 121, 130–135, 138, 199;

D28/21, 24, 30, 63, 74, 99; 119/86, 600,

119/604–606, 611–620, 625, 628–633;

132/219

CPC A01K 13/00; A01K 13/002; A01K 13/001;

A45D 24/00; A46B 9/023; B26B 19/24

See application file for complete search history.

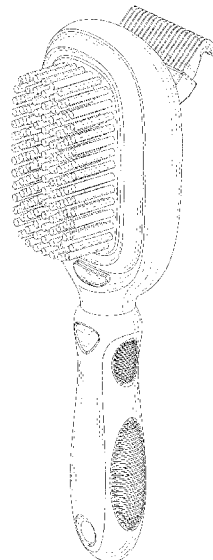
DESCRIPTION

(56) **References Cited**

U.S. PATENT DOCUMENTS

D382,083 S * 8/1997 Skelton D28/7
D411,048 S * 6/1999 Pinon D4/121
D453,420 S * 2/2002 Offer D4/132
D476,160 S * 6/2003 Choi D4/121
D508,299 S * 8/2005 Dunn D30/158
D509,032 S * 8/2005 Dunn D30/158

1 Claim, 8 Drawing Sheets



(56)

References Cited

U.S. PATENT DOCUMENTS

2006/0000423 A1* 1/2006 Morosin A01K 13/002
119/600
2017/0367468 A1* 12/2017 Accetura, Jr. A46B 5/002

* cited by examiner

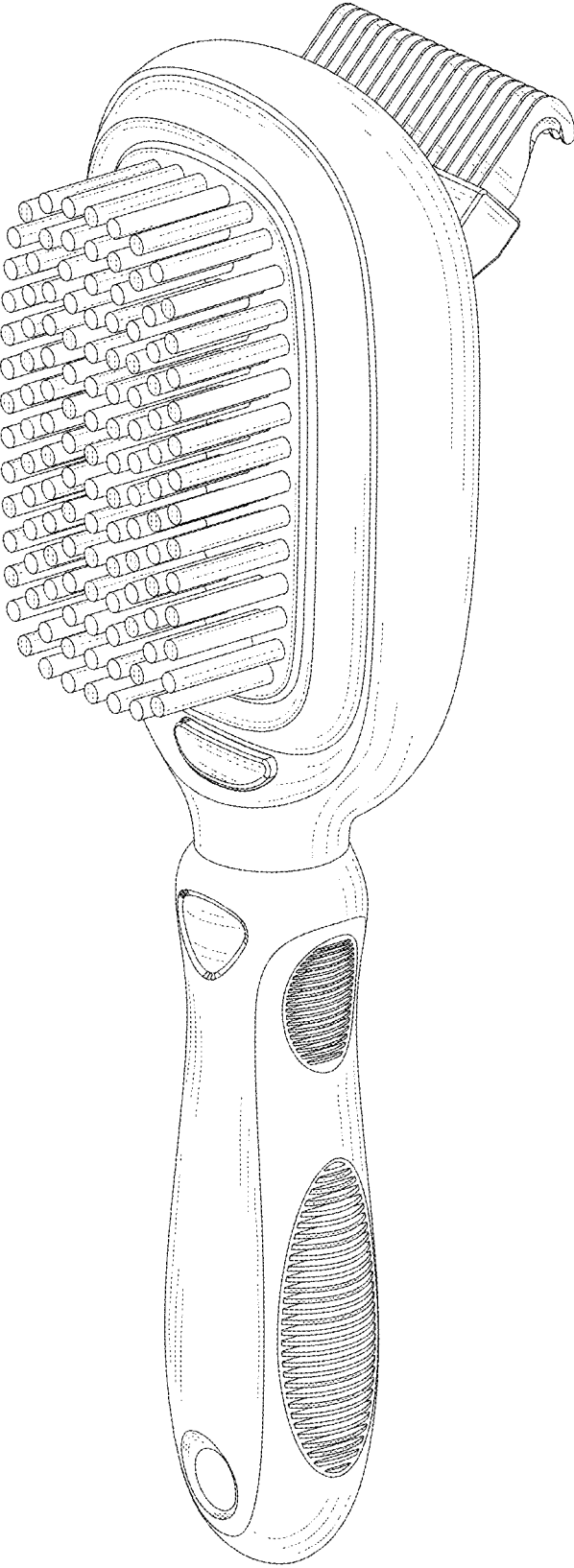


FIG. 1

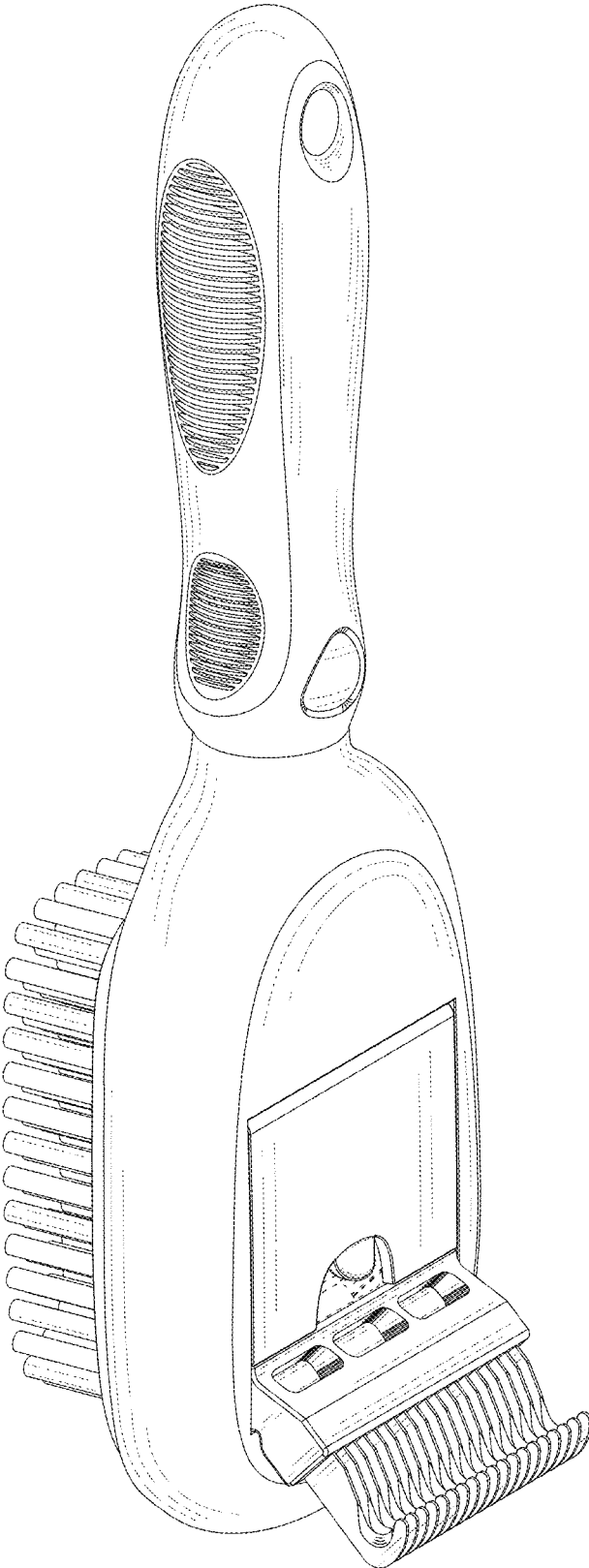


FIG. 2

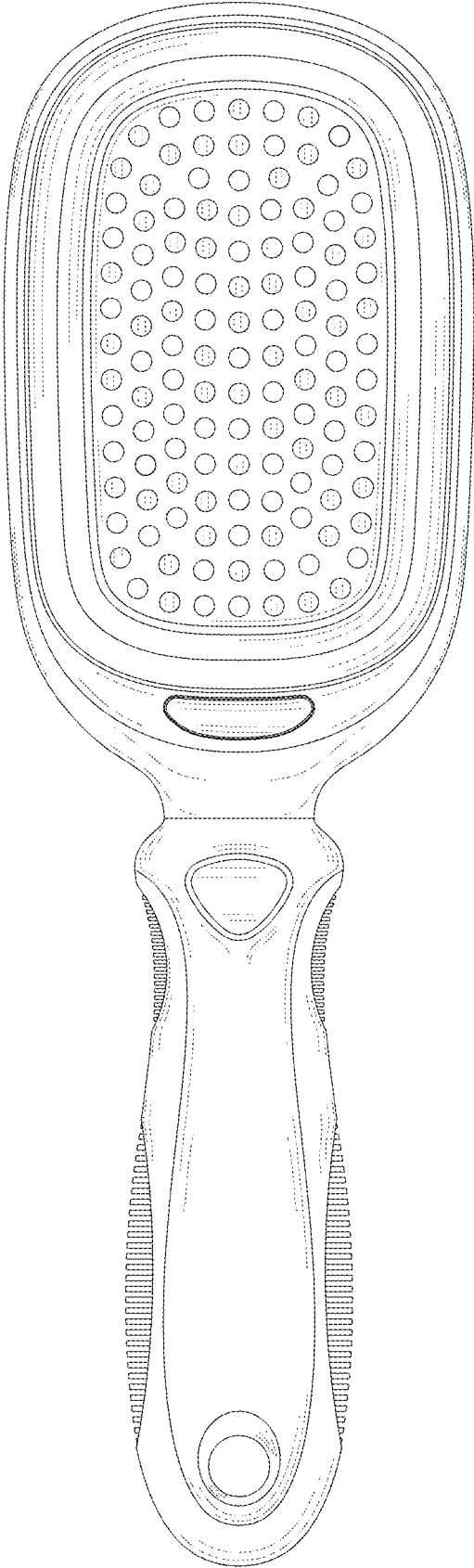


FIG. 3

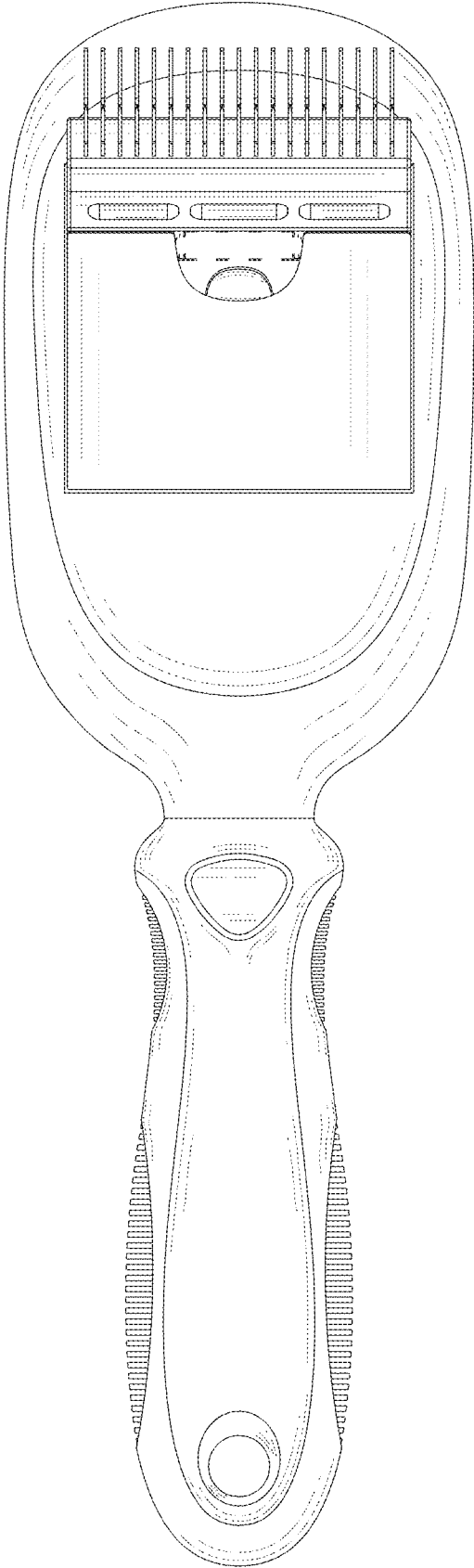


FIG. 4

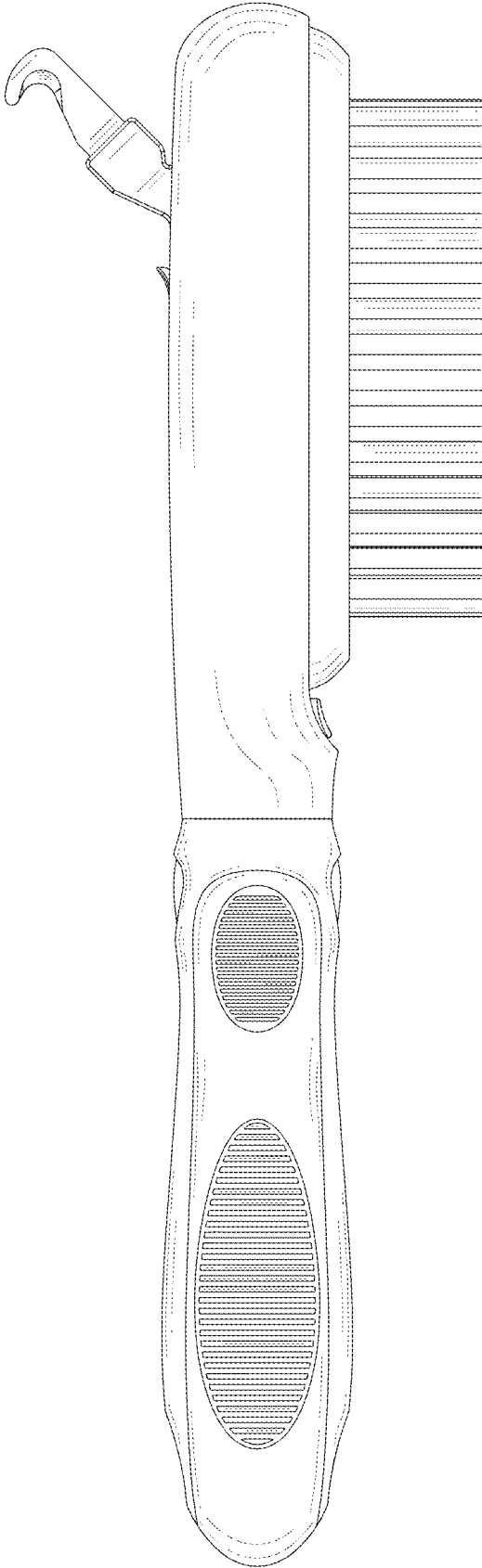


FIG. 5

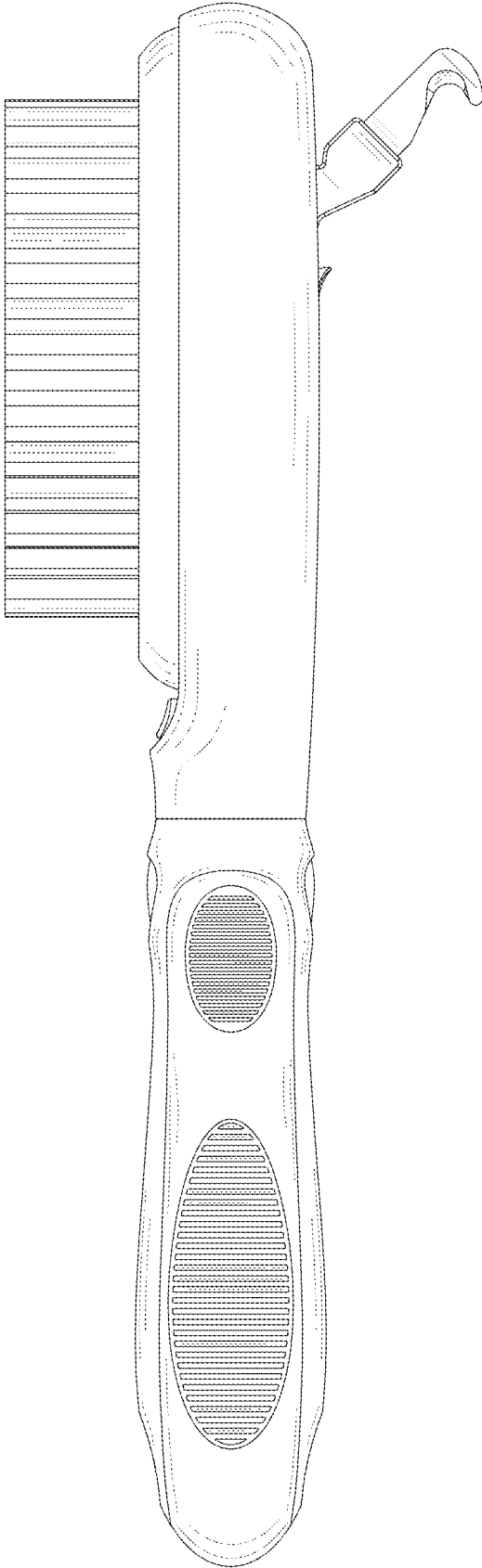


FIG. 6

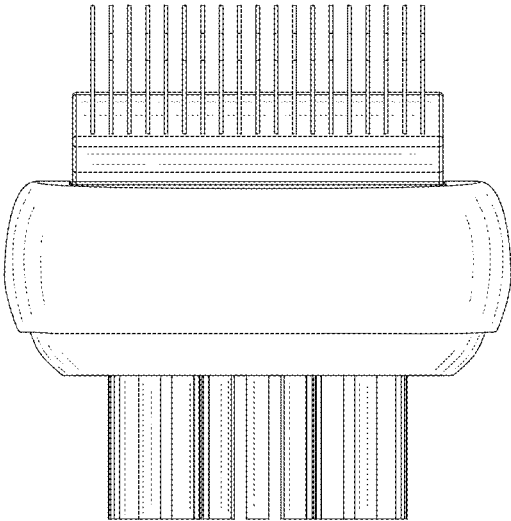


FIG. 7

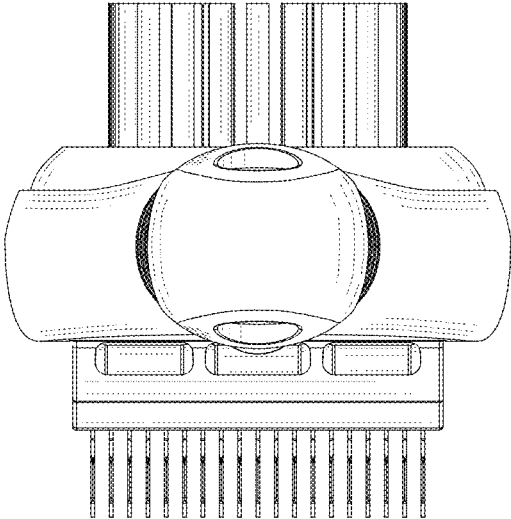


FIG. 8