



US00D669763S

(12) **United States Design Patent**
Abels

(10) **Patent No.:** **US D669,763 S**

(45) **Date of Patent:** **** Oct. 30, 2012**

(54) **CARABINER**

(75) Inventor: **David L. Abels**, Chapel Hill, NC (US)

(73) Assignee: **Carolina Publishing & Advertising Corporation**, Chapel Hill, NC (US)

(**) Term: **14 Years**

(21) Appl. No.: **29/415,731**

(22) Filed: **Mar. 13, 2012**

(51) **LOC (9) Cl.** **08-05**

(52) **U.S. Cl.** **D8/356**

(58) **Field of Classification Search** D8/367,
D8/371, 373, 354-356, 349; D6/323; 248/215,
248/301, 339, 349.1; 160/349.1, 349.2; 24/265 H,
24/265 R, 599.1, 599.8, 113 R, 573.5; 294/82.18;
29/525.1, 45.3; D3/24; 223/106

See application file for complete search history.

(56) **References Cited**

U.S. PATENT DOCUMENTS

3,563,430	A	2/1971	Forrest	
4,095,316	A	6/1978	Gabriel	
5,005,266	A	4/1991	Fister et al.	
5,441,323	A	8/1995	Goddard	
D369,549	S	5/1996	Meyers et al.	
D375,252	S	11/1996	Serra Fabregas	
D439,144	S *	3/2001	Ho	D8/373
6,415,634	B2 *	7/2002	Luquire	70/18
6,688,259	B2	2/2004	Axel	
D495,591	S *	9/2004	Clucas	D8/367
7,047,604	B2	5/2006	Axel	

(Continued)

OTHER PUBLICATIONS

Absorbent, Ink., "Jumbo Carry-All Carabiner", Jun. 3, 2008, Publisher: Accessed online via <http://www.absorbentprinting.com/tools-and-knives/carabiners/carabiners/jumbo-carry-all-carabiner>.

(Continued)

Primary Examiner — Cynthia Underwood

(74) *Attorney, Agent, or Firm* — Vincent K. Gustafson; Jenkins, Wilson, Taylor & Hunt, P.A.

(57) **CLAIM**

The ornamental design for a carabiner, as shown and described.

DESCRIPTION

FIG. 1 is a perspective view of a carabiner according to a first embodiment showing my new design;

FIG. 2 is a front elevation view of the carabiner according to the first embodiment; the rear elevation view of the carabiner according to the first embodiment is a mirror image of the front elevation view shown in FIG. 2;

FIG. 3 is a top plan view of the carabiner according to the first embodiment;

FIG. 4 is a bottom plan view of the carabiner according to the first embodiment;

FIG. 5 is a left side elevation view of the carabiner according to the first embodiment;

FIG. 6 is a right side elevation view of the carabiner according to the first embodiment;

FIG. 7 is a perspective view of a carabiner according to a second embodiment showing my new design;

FIG. 8 is a front elevation view of the carabiner according to the second embodiment; the rear elevation view of the carabiner according to the second embodiment is a mirror image of the front elevation view shown in FIG. 8;

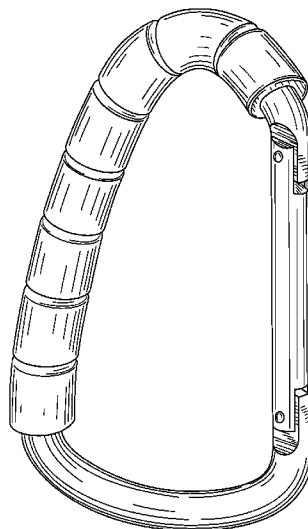
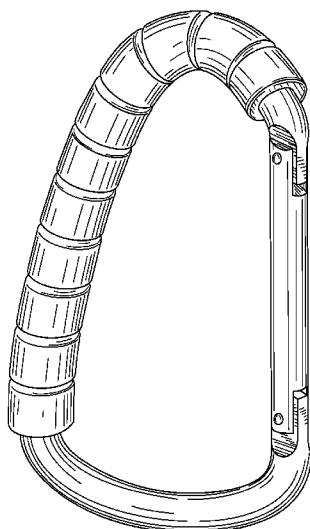
FIG. 9 is a top plan view of the carabiner according to the second embodiment;

FIG. 10 is a bottom plan view of the carabiner according to the second embodiment;

FIG. 11 is a left side elevation view of the carabiner according to the second embodiment; and,

FIG. 12 is a right side elevation view of the carabiner according to the second embodiment.

1 Claim, 8 Drawing Sheets



US D669,763 S

Page 2

U.S. PATENT DOCUMENTS

D527,988 S * 9/2006 Shetler D8/356
D528,406 S 9/2006 Kramer
7,114,196 B1 10/2006 Cicio
D545,180 S * 6/2007 Harwanko D8/372
7,249,475 B2 * 7/2007 Yu 70/18
D565,392 S * 4/2008 Shetler D8/356
D572,573 S * 7/2008 Abels D8/356
D590,237 S * 4/2009 Parisi et al. D8/356
D613,583 S * 4/2010 Abels D8/356
D614,937 S * 5/2010 Kelleghan D8/356
D631,331 S * 1/2011 Kelleghan D8/356
D642,449 S * 8/2011 Blaney D8/356
2004/0231116 A1 11/2004 Goldberg
2005/0229367 A1 10/2005 Thompson
2005/0246874 A1 11/2005 Hsu
2006/0087139 A1 4/2006 Ayres

2006/0137151 A1 6/2006 Thompson
2006/0168781 A1 8/2006 Axel
2007/0062013 A1 3/2007 Mueller
2008/0022497 A1 1/2008 Thompson

OTHER PUBLICATIONS

Ebay Online Auction, "Lightweight Green Carabiner with Foam Handle", Feb. 14, 2007, Publisher: Accessed Online at: http://cgi.ebay.com/LIGHTWEIGHT-GREEN-CARABINER-WITH-FOAMHANDLE_W0QQitemZ220092256791QQihZ012QC2categoryZ50814QQrdZ1QQcmdZViewItem.
Home Depot, "Workforce Hangalls Jumbo Carabiner", May 15, 2008.
Eddie Bauer, "Hook-N-Go" stroller hook photograph, Feb. 22, 2012.

* cited by examiner

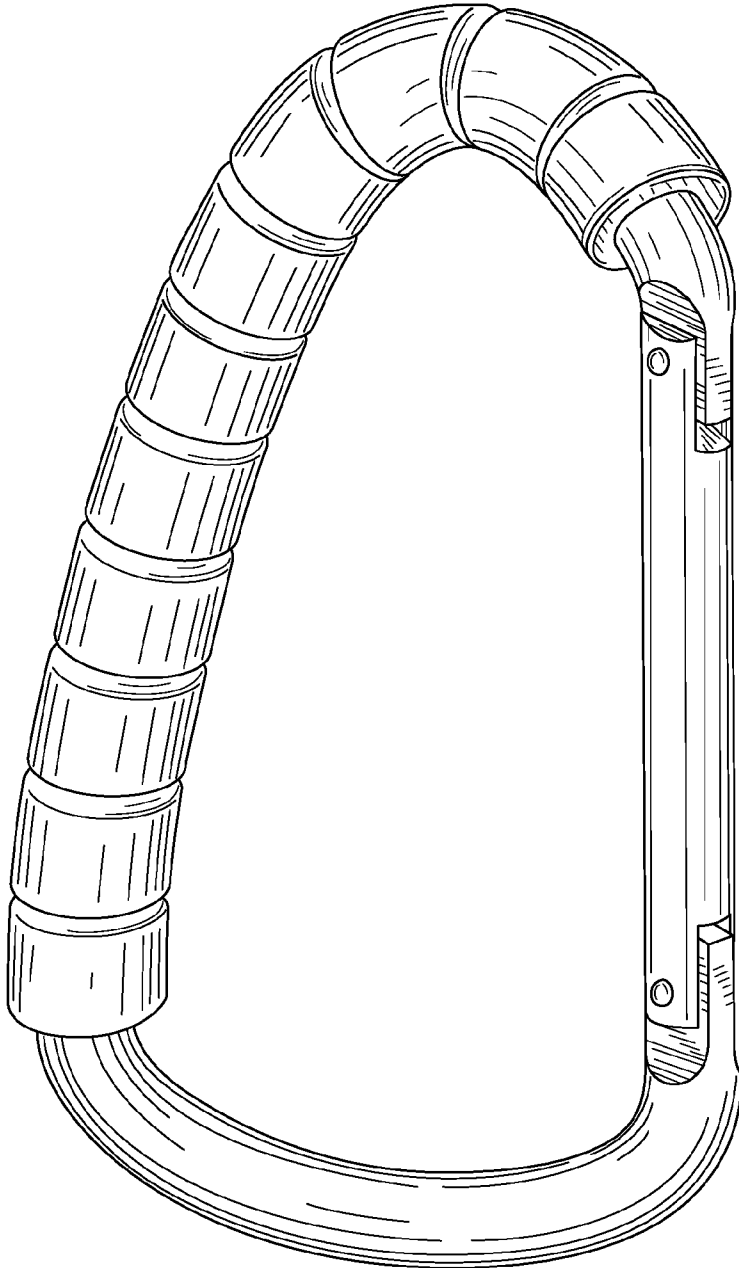


FIG. 1

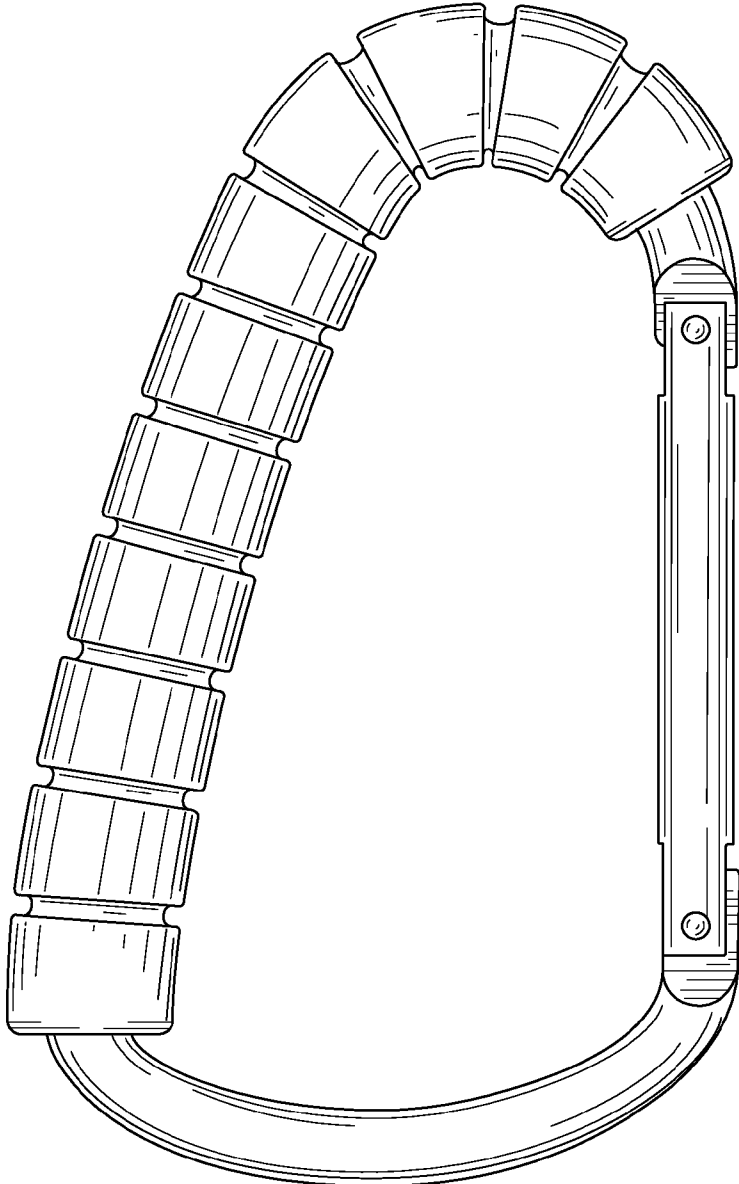


FIG. 2

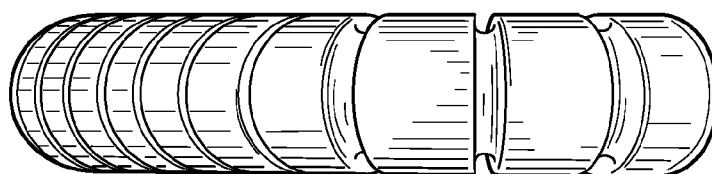


FIG. 3

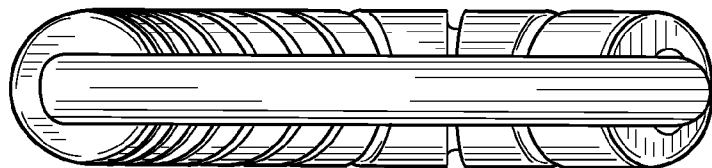


FIG. 4

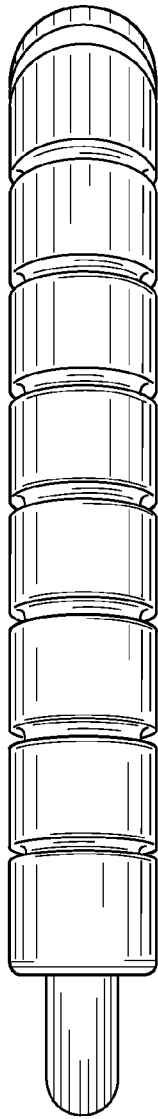


FIG. 5

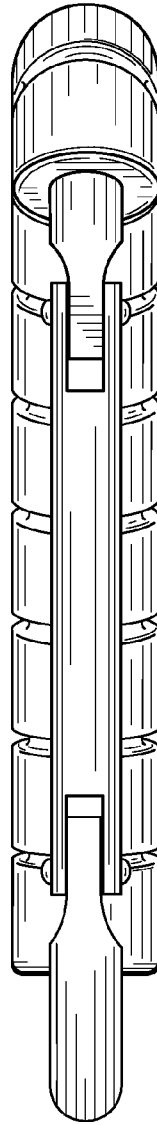


FIG. 6

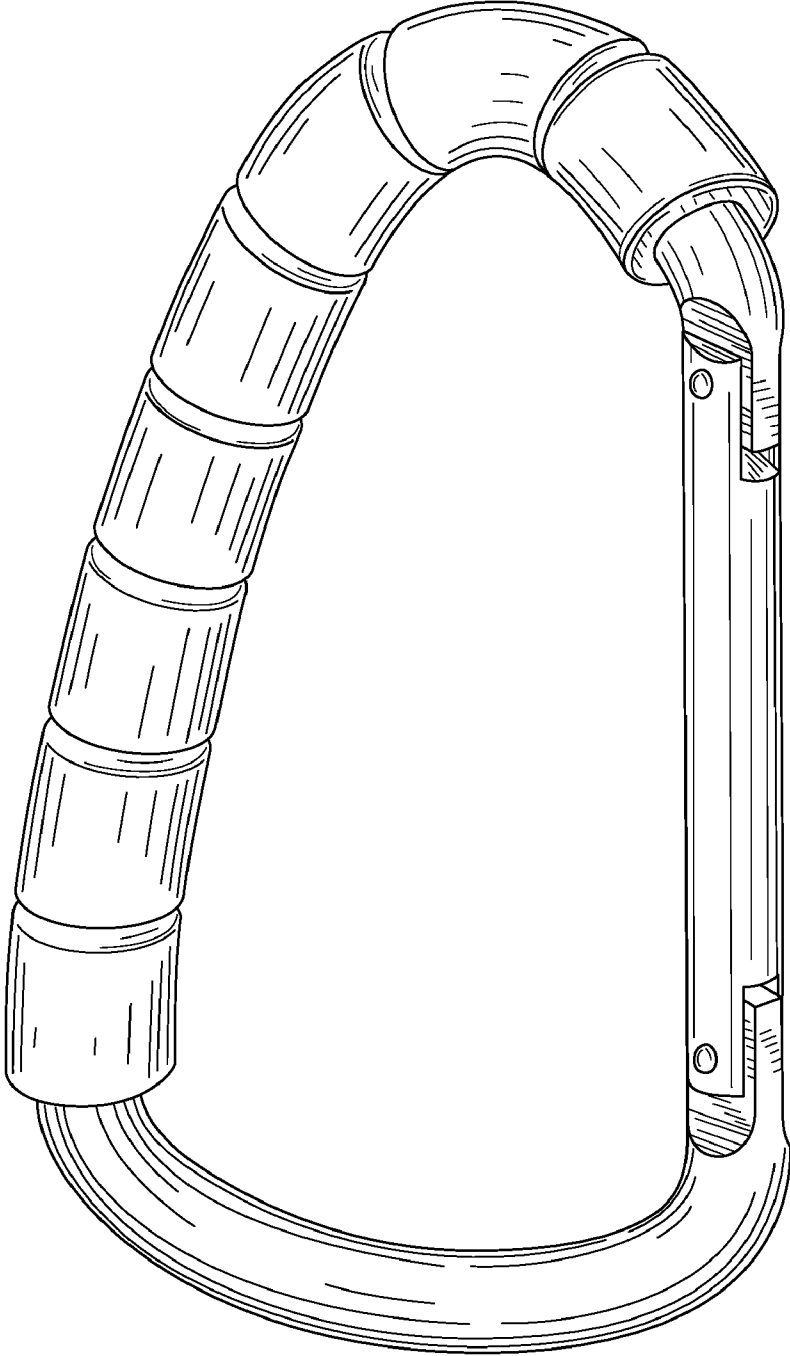


FIG. 7

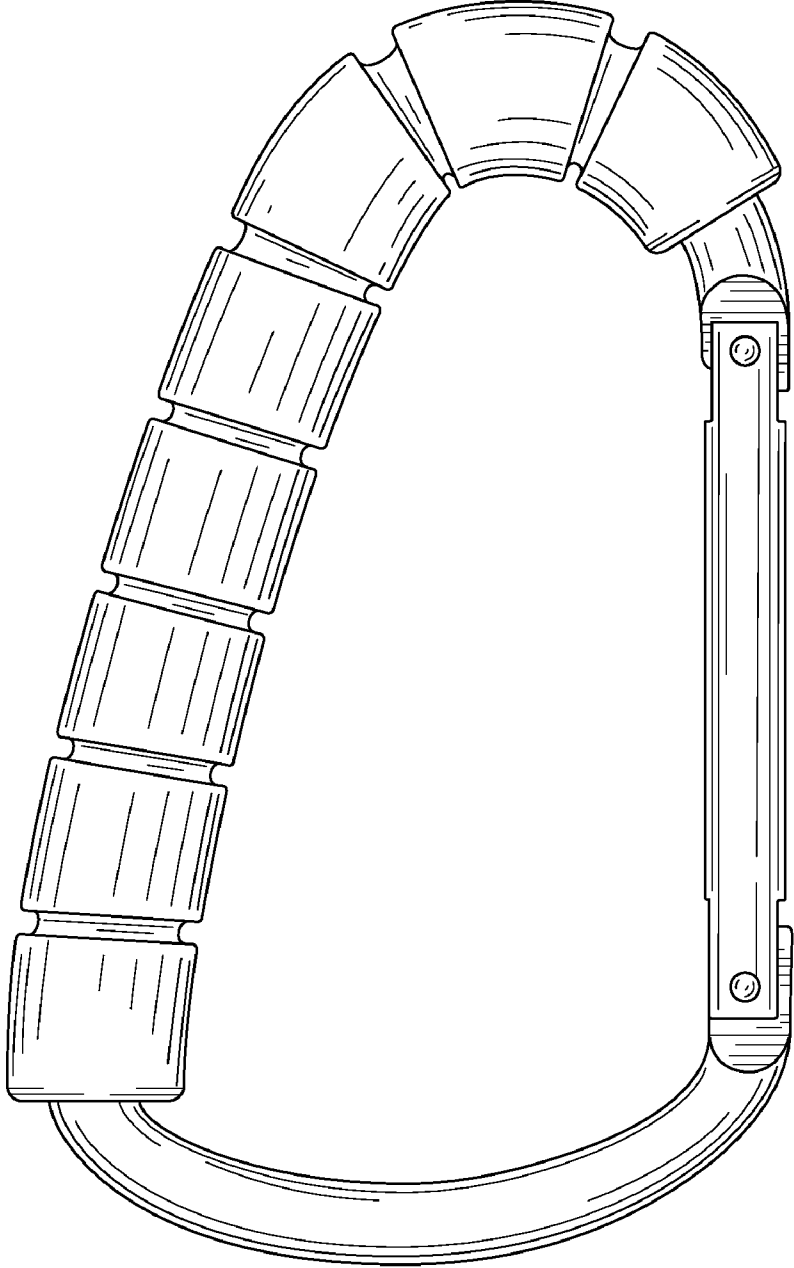


FIG. 8

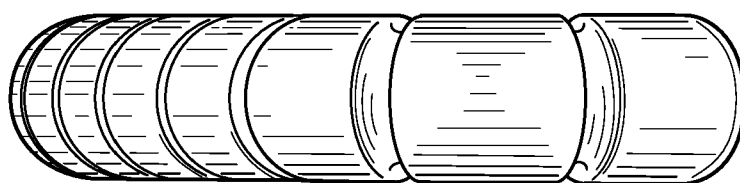


FIG. 9

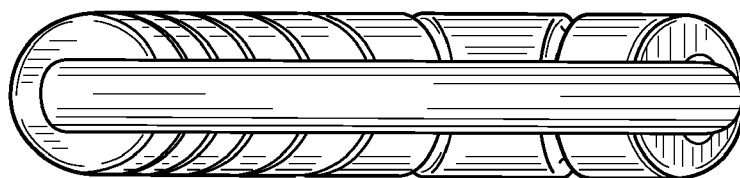


FIG. 10

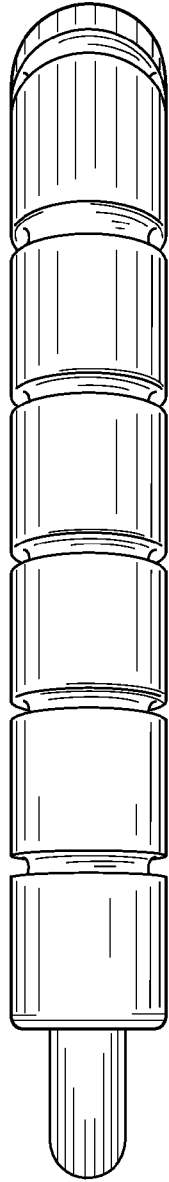


FIG. 11

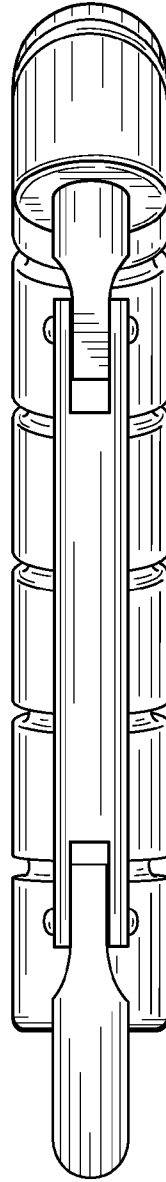


FIG. 12