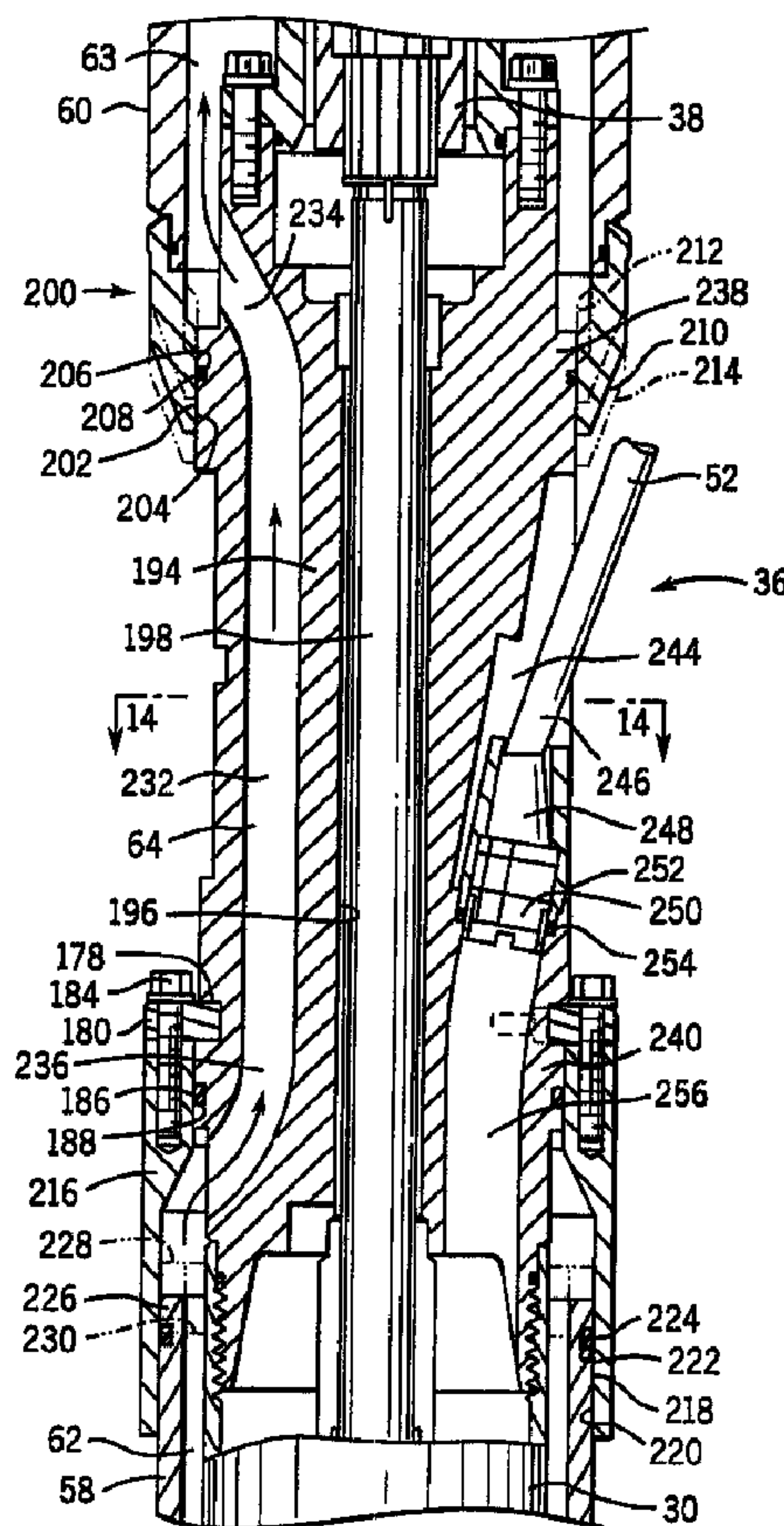




(22) Date de dépôt/Filing Date: 1999/01/12
 (41) Mise à la disp. pub./Open to Public Insp.: 1999/07/13
 (45) Date de délivrance/Issue Date: 2007/08/07
 (30) Priorité/Priority: 1998/01/13 (US09/006,474)

(51) Cl.Int./Int.Cl. *F04B 47/06* (2006.01),
E21B 43/12 (2006.01), *F04B 53/00* (2006.01),
F04D 13/10 (2006.01)
 (72) Inventeur/Inventor:
 LEE, LAWRENCE, US
 (73) Propriétaire/Owner:
 CAMCO INTERNATIONAL INC., US
 (74) Agent: MARKS & CLERK

(54) Titre : MONTURE REGLABLE POUR UN SYSTEME DE POMPAGE SUBMERSIBLE ET POMPAGE INCORPORANT MEME
 (54) Title: ADJUSTABLE SHROUD FOR A SUBMERSIBLE PUMPING SYSTEM AND PUMPING SYSTEM INCORPORATING SAME



(57) **Abrégé/Abstract:**

An adjustable shroud arrangement is disclosed for a submersible pumping system. The pumping system is of the type used to raise fluids from wells, such as petroleum production wells. The systems include a plurality of interconnected components,

(57) **Abrégé(suite)/Abstract(continued):**

including a motor and a pump driven by the motor. The systems may also include a separator for separating production fluids from non-production fluids. The shroud serves to transfer fluids between system components, such as around the motor to promote convective cooling of the motor during operation. The shroud fits around a portion of the pumping unit to define a fluid flow path. The shroud is adjustable with respect to the pumping unit to permit relative thermal expansion and contraction of the shroud and the pumping unit components. In a preferred embodiment, the shroud has one end fixed to the pumping unit and a second end slidingly seals against a component of the pumping unit. In another embodiment, both ends of the shroud are fixed to the unit and an adjustable seal is provided along the length of the shroud.

ABSTRACT OF THE DISCLOSURE

An adjustable shroud arrangement is disclosed for a submergible pumping system. The pumping system is of the type used to raise fluids from wells, such as petroleum production wells. The systems include a plurality of interconnected components, including a motor and a pump driven by the motor. The systems may also include a separator for separating production fluids from non-production fluids. The shroud serves to transfer fluids between system components, such as around the motor to promote convective cooling of the motor during operation. The shroud fits around a portion of the pumping unit to define a fluid flow path. The shroud is adjustable with respect to the pumping unit to permit relative thermal expansion and contraction of the shroud and the pumping unit components. In a preferred embodiment, the shroud has one end fixed to the pumping unit and a second end slidingly seals against a component of the pumping unit. In another embodiment, both ends of the shroud are fixed to the unit and an adjustable seal is provided along the length of the shroud.

ADJUSTABLE SHROUD FOR A SUBMERGIBLE PUMPING SYSTEM AND PUMPING SYSTEM INCORPORATING SAME

BACKGROUND OF THE INVENTION

1. Field Of The Invention

The present invention relates generally to the field of submergible pumping systems for raising fluids from wells, such as petroleum production wells. More particularly, the invention relates to a novel shroud arrangement that permits fluids to be channeled between components of a submergible pumping system and that compensates for thermal expansion of system components during operation.

2. Description Of The Related Art

Various types of pumping systems are known for raising fluids from wells, such as petroleum production wells. Such wells generally include a wellbore extending through subterranean formations and a casing defining the inner periphery of the wellbore. The casing is perforated in the vicinity of one or more production zones. Such production zones typically comprise subterranean geological formations bearing minerals of interest, such as crude oil, waxes, gas, and so forth. The fluids flow into the wellbore through the perforations and collect in the wellbore. Where pressure within the well is insufficient to raise the fluids to the earth's surface by natural means, artificial means are employed to exploit the well.

One well known technique for raising fluids from wellbores involves submerging a pumping system in the wellbore fluids and driving the pumping system to force fluids to the earth's surface. Such pumping systems typically include an electric motor coupled to a production pump. The electric motor and production pump are submerged in the wellbore fluids and the electric motor is coupled to a power supply and control cable extending from circuitry above the earth's surface. When the pump is driven in rotation, wellbore fluids are drawn into the pump and forced through a conduit, such as coil tubing, to a collection point above the earth's surface.

Such pumping systems may also include equipment designed to handle non-production fluids. In many wells, fluids entering the wellbore include both production fluids of commercial interest, as well as non-production fluids, such as water, brine and so forth. While non-production fluids can also be raised to the earth's surface and

separated from the fluids of interest, it is often more economical to separate the fluids within the wellbore and to raise only the production fluids to the earth's surface. Accordingly, various types of separators may be included in the pumping system for separating the production and non-production fluids in situ. The non-production fluids can be reinjected into a discharge or injection zone of the well directly from the separator, or may be injected into such a zone by a separate injection pump. The injection pump may be driven by the same electric motor used to drive the production pump, or may be driven by a separate electric motor included in the pumping system.

In submersible pumping systems of the type described above, it is often necessary to convey fluids from one of the system components to another. For example, in systems including a fluid separator, production fluids are commonly routed from the separator to the inlet of the production pump. In many cases, it is preferable to route such fluids around the electric motor to assist in convectively cooling the motor during operation. Shrouds have been developed to facilitate routing of such fluids in pumping systems. In general, such shrouds constitute an annular conduit disposed about a portion of the pumping system, leaving a space between the system components and the shroud wall. Fluids flow within the annular space between the system components, preferably passing along the outer wall of the submersible electric motor. Shrouds of this type not only facilitate cooling of the electric motor, but in many cases simplify piping within the pumping system, eliminating the need for separate conduits between the system components. Moreover, such shrouds often maximize the cross sectional area available for the flow of fluids between the system components, as compared to pipes, tubes or other conduits which may be connected and extend adjacent to the pumping system within the wellbore.

Shrouds currently used in submersible pumping systems suffer from several important drawbacks. Most notably, conventional shrouds do not offer adequate compensation for thermal expansion and contraction of the system components. In particular, the motors, pumps, separators, and ancillary components of submersible pumping systems may extend over substantial lengths within the well. In addition, the system components may be subjected to a wide range of temperatures. For example, ambient temperatures at the location where the system is built and temperatures outside the well location may vary considerably. Moreover, temperatures within the wellbore

may rise substantially (e.g., 2000F or more) during periods of operation of the system, fluctuating both due to natural changes in the fluid temperatures, as well as due to heat generated by operation of the pumping system.

Under such conditions, the pumping system components and shrouds experience changes in length owing to their respective coefficients of thermal expansion. Such thermal expansion can impose significant stresses on the system components and shrouds, particularly where the rates of thermal expansion of the components and the shrouds are not the same, or where the components and the shrouds experience different temperatures, as may be the case in certain applications. Such stresses can result in weakening of the system components or the shrouds, or in leakage about the points of connection between the pumping system and the shroud

There is a need, therefore, for an improved technique for directing fluids between components of submergible pumping systems. In particular, there is a need for a shroud configuration which automatically adjusts or compensates for variations in length of pumping system components, such as may result from thermal expansion.

SUMMARY OF THE INVENTION

The present invention provides a fluid shroud arrangement designed to respond to these needs. The shroud may be used in a variety of applications, such as in pumping systems including one or more electric motors, and one or more pumps. The shroud design is particularly well suited for pumping systems including a fluid separator wherein fluid is directed from the separator and around a submergible electric motor to a production pump inlet. The shroud design may also be used in wide variety of pumping system configurations, wherein components are disposed in various orders as required by the orientation of production and discharge zones in a particular well. Moreover, the shroud may be configured in one or multiple sections, and may extend over a wide range of lengths, depending upon the number and lengths of the system components about which the shroud is deployed.

Thus, in accordance with a first aspect of the invention, a fluid directing arrangement is provided for a submergible pumping system. The pumping system is of the type comprising a plurality of components including a submergible pump and a submergible motor coupled to the pump. The motor is configured to drive the pump to displace fluids within the well. The arrangement includes a substantially annular body

configured to extend around at least a portion of the motor. The body has first and second ends. Means are included for securing the body fixedly to the pumping system at the first end. Means are further provided for adjustably sealing the body to the pumping system at the second end to define a fluid tight flow path between the first and second ends of the body and the pumping system. The means for adjustably sealing permits relative thermal expansion and contraction of the body and the pumping system while maintaining a fluid tight seal at the second end. In a particularly preferred arrangement, the means for adjustably sealing the body to the pumping system includes sealing regions formed on both the second end of the body and the pumping system, and a seal member disposed between the sealing regions.

In accordance with a further aspect of the invention, a fluid directing arrangement for submersible pumping system includes first and second tubular sections. The first tubular section is configured to extend around a first portion of the pumping system. The tubular section has a first upper end and a first lower end. The first upper end is configured to be sealingly secured to the pumping system. The second tubular section is configured to extend around a second portion of the pumping system. The second tubular section has a second upper end and a second lower end. The second lower end is configured to be sealingly secured to the pumping system. The second upper end is adjustably sealed to the first lower end of the first tubular section to define a fluid flow path between the pumping system and the first and second tubular sections. The first and second tubular sections thus permit the fluid flow path to be expanded and contracted during thermal expansion and contraction of the tubular sections and the pumping system over which the sections extend.

In accordance with a further aspect of the invention, a submersible pumping system is provided for pumping fluids in a well. The system comprises a submersible pumping unit including at least a pump and the motor. The pump has an inlet and an outlet and is configured to draw well fluids through the inlet and to express the well fluids through the outlet. The motor is drivingly coupled to the pump. Means is provided for applying power to the motor to drive the motor and the pump. Means is also provided for directing a flow of fluid from the pump outlet to a desired location. A shroud is secured to the pumping unit. A shroud includes a generally annular body having first and second ends sealed to the pumping unit to define an annular fluid flow

path between an inner periphery of the shroud and a portion of the pumping unit along which the shroud extends. The shroud and a portion of the pumping system are extensible and contractible with respect to one another over a predetermined range of lengths to permit relative thermal expansion and contraction of the shroud and the portion of the pumping unit during operation. The shroud may be secured to the pumping unit at one or both ends. Where the shroud is secured at one end, a sliding seal is preferably provided between the second end of the shroud and the pumping unit. Where the shroud is secured to the pumping unit at both ends, an extensible joint is preferably formed between first and second tubular sections of the shroud. The extensible joint may include mutually facing sealing regions between which a sealing member may be disposed.

BRIEF DESCRIPTION OF THE DRAWINGS

The foregoing and other advantages and features of the invention will become apparent upon reading the following detailed description and upon reference to the drawings in which:

Figure 1 is a vertical elevational view of a pumping system positioned in a wellbore in accordance with a prior art technique for separating wellbore fluids, pumping production fluids to a location above the earth's surface, and disposing of non-production fluids;

Figure 2 is a vertical elevational view of a pumping system in accordance with certain aspects of the present invention configured for separating wellbore fluids into production and non-production fluids, and for transmitting production fluids through components of the pumping system, while transferring non-production fluids to a subterranean injection zone;

Figure 3 is a vertical elevational view of a portion of a pumping system of the type illustrated in Figure 2, showing a preferred manner for coupling two separate drive motors in the pumping system in lieu of a single drive motor;

Figure 4 is a diagrammatic vertical sectional view of a drive-through separator for use in a pumping system of the type illustrated in Figure 2, including a through shaft and a hydrocyclone separator venting through an end plate of the separator unit;

Figure 5 is a sectional view of the separator illustrated in Figure 4 along line 5-5, illustrating the position of the internal elements of the separator unit;

Figure 6 is a diagrammatical vertical sectional view of an alternative configuration of the drive-through separator of Figure 4, wherein the separator vents through a side wall of the unit;

Figure 7 is a diagrammatical vertical sectional view of an alternative configuration of a drive-through separator including a series of hydrocyclone separators and a shaft disposed coaxially within the housing of the unit;

Figure 8 is a sectional view through the separator illustrated in Figure 7 along line 7-7, illustrating the positions of internal components of the separator with respect to one another;

Figure 9 is a sectional view through an upper end of a separator of the type illustrated in the Figures above, showing a preferred manner for channeling fluids through the internal passageways in the end of the separator and into an extensible shroud for communicating production fluids to other components of the pumping system;

Figure 10 is a sectional view through a lower end of a separator of the type illustrated in the preceding Figures;

Figure 11 is a sectional view through a portion of the pumping system of Figure 2, illustrating a preferred manner for securing an extensible shroud to a lower intake of a production pump;

Figure 12 is a sectional detail view of a portion of an extensible shroud illustrating a preferred manner for joining tubular sections of the shroud;

Figure 13 is a sectional view through a connection module of the type illustrated in Figure 2 and 3, showing the manner in which internal passageways and electrical cable connections are made within the connection module, as well as the manner in which extensible shroud sections are coupled to the pumping system in which the connection module is disposed; and

Figure 14 is a sectional view through the connection module of Figure 13 along line 14-14, illustrating a preferred arrangement of internal passageways within the connection module.

DETAILED DESCRIPTION OF SPECIFIC EMBODIMENTS

Turning now to the drawings, and referring first to Figure 1, a pumping system is illustrated for separating wellbore fluids in accordance with certain heretofore known

techniques. Specifically, the pumping system includes a production pump 1, a motor 2, an injection pump 3 and a fluid separator 4. A motor protector 5 is positioned intermediate the production pump 1 and the motor 2. The motor 2 is configured for driving both the production pump 1 and the injection pump 3 via internal power transmission shafts. The separator 4 is positioned below the injection pump 3 to receive flow from the injection pump 3. In operation, fluids enter the wellbore adjacent to the pumping system and are drawn into the injection pump 3. Fluids are then forced through the separator 4 where production fluids are separated from non-production fluids, typically water. Production fluids are then transferred via transfer tubing 6 to the production pump 1, while non-production fluids are injected into a discharge zone isolated by a set of packers. Production fluid from the production pump 1 is forced to the earth's surface where it is collected and further processed.

Figure 2 illustrates a pumping system in accordance with certain aspects of the present invention. The pumping system illustrated in Figure 2 is designated generally by the reference numeral 10, and includes a pumping unit 12 positioned in a well 14. Well 14 is defined by a wellbore 16 which traverses a number of subterranean zones or horizons, including a production zone 18 and a discharge zone 20. In general, production zone 18 comprises geological formations containing fluids, such as oil, condensate, gas and water. Discharge zone 20 comprises earthen formations appropriate for the discharge or injection of non-production fluids, such as water. It should be noted that while in the embodiment illustrated in Figure 2, system 10 is employed in a well wherein production zone 18 lies nearer the earth's surface than discharge zone 20, system 10 may be equally well employed in formations wherein the reverse is true. In general, pumping system 10 may be used in vertical, inclined and horizontal wellbores having one or more production zones and one or more discharge zones in various physical configurations.

Wellbore 16 is lined by a casing 22 in which system 10 is deployed. Casing 22 is, in turn, traversed by production perforations 24 adjacent to production zone 18, and by discharge perforations 26, adjacent to discharge zone 20. In operation, wellbore fluids, including production fluids and non-production fluids in mixture, enter into wellbore 16 through production perforations 24. System 10 operates to separate the wellbore fluids into production and non-production fluids, reinjecting the

non-production fluids into discharge zone 20, and transferring production fluids through fluid flow paths defined within system 10 to a collection point above the earth's surface.

Referring now more particularly to a preferred configuration of pumping unit 12, as illustrated in Figure 2, unit 12 preferably includes a series of modular components assembled into a submergible unit. In the embodiment illustrated in Figure 2, pumping unit 12 includes a first pump 28, a drive motor 30, a second pump 32 and a fluid separator 34. Also as illustrated in Figure 2, pumping unit 12 includes a connection module 36 and a pair of motor protectors 38 and 40. A fluid conduit 42 is coupled to pump 28 to transmit production fluids from pump 28 to a location above the earth's surface, as indicated by reference numeral 44. Another transfer conduit 46 is coupled to pump 32 to transmit non-production fluids to a location adjacent to discharge zone 20. Conduit 46 traverses an isolation packer 48 which effectively isolates fluids and pressure adjacent to discharge zone 20 from fluids entering through production perforations 24.

Pump 28, which in the illustrated embodiments functions as a production pump, and pump 32, which functions as an injection pump, may be of any suitable type, such as centrifugal pumps available commercially from Reda of Bartlesville, Oklahoma. Pump 28 has inlet or intake apertures 50 through which pump 28 draws fluids to be transferred to the earth's surface. Production conduit 42 is coupled to the outlet of pump 28, and may comprise any suitable type of conduit, such as coil tubing.

Motor 30 is drivingly coupled to pump 28 through motor protector 38. Motor 30 is preferably a submergible polyphase electric motor coupled to an electrical power supply above the well (not represented) via a power supply and control cable 52. Cable 52 extends through wellbore 16 from the earth's surface and is electrically coupled to motor 30 through connection module 36, as described more fully below. It should be noted, however, that for certain aspects of the structure and technique described herein, motor 30 may be any suitable type of prime mover, such as a single-phase electric motor, a hydraulic motor, and so forth. In the embodiment illustrated in Figure 2, motor 30 is designed to drive components on either end thereof. Accordingly, motor 30 is coupled to pump 28 through motor protector 38 by means of a drive shaft disposed within connection module 36, as described more fully below, as well as to second pump 32 through a series of drive shafts traversing separator 34 and motor protector 40.

Motor protectors 38 and 40 provide isolation of motor 30 from well fluid entering pump 28 and separator 34 in a manner well known in the art.

In the presently preferred embodiment illustrated, separator 34 includes drive train components for transmitting torque between driving and driven components of pumping unit 12, such as from motor 30 to pump 32. Separator 34 may therefore be physically interposed between such components. Separator 34 preferably includes hydrocyclone separating devices which receive fluid from wellbore 16 through a series of intake apertures 54, and express production fluids through a series of discharge apertures 56. Separator 34 also discharges non-production fluids directly to second pump 32, which forces the non-production fluids into discharge zone 20 via discharge perforations 26.

In the preferred embodiment illustrated, fluid flow paths are defined between the components of pumping unit 12 by a series of adjustable shrouds as well as by a passageway defined through connection module 36. In particular, a first shroud 58 is sealingly disposed about unit 12 from an upper portion of separator 34 to a central portion of connection module 36. A second or upper shroud 60 is sealingly disposed about unit 12 from a central portion of connection module 36 to a lower portion of production pump 28. Shrouds 58 and 60 surround adjacent sections of pumping unit 12 to define annular fluid flow paths 62 and 63, respectively. Fluid flow path 62 directs a fluid flow from discharge apertures 56 of separator 34 upwardly around motor 30, and into a fluid passage 64 defined within connection module 36. Fluid exits fluid passage 64 of connection module 36 and enters upper flow path 63 which directs the fluid to inlet apertures 50 of production pump 28. As described more fully below, this preferred structure permits fluid to be transferred between the components of pumping unit 12 in a sealed manner without the use of separate piping. Moreover, the fluid flow directed by shrouds 58 and 60 aids in convectively cooling the system, particularly motor 30. Also, connection module 36 permits cable 52 to be electrically coupled to motor 30 without traversing a shroud wall. As also described more fully below, shrouds 58 and 60 are preferably extensible and contractible with respect to portions of pumping unit 12 over which the shrouds extend, thereby permitting relative expansion and contraction of the shrouds and of the pumping unit components while maintaining the desired seal defining fluid paths 62 and 63.

In operation, motor 30 receives electrical power through cable 52 and drives pump 28 through connection module 36 and motor protector 38. Motor 30 also drives pump 32 through motor protector 40 and separator 34. Production fluid extracted from wellbore fluids in separator 34 is directed through a fluid flow path defined by lower shroud 58, fluid passage 64 of connection module 36, and upper shroud 60 to enter into intake apertures 50 of pump 28. The fluids are transferred by pump 28 through production conduit 42 to a collection point (not represented) above the earth's surface 44. Non-production fluids separated from the wellbore fluids within separator 34 are transferred to pump 32 from which they are expelled via discharge conduit 46.

As will be appreciated by those skilled in the art, the configuration of pumping system 10 illustrated in Figure 2 may be referred to as a pull through system. In such systems, the separator is positioned upstream or on the suction side of an injection pump, such as pump 32. The injection pump therefore draws flow through the separator and expels non-production fluids into a section of the wellbore adjacent to the discharge zone. Separator 34 may also be assembled in pumping systems configured as push through systems, wherein wellbore fluids are drawn directly into a first pump and expressed from the pump into the separator.

As will also be appreciated by those skilled in the art, while a single drive motor may be employed in pumping system 10 as shown in Figure 2, the system may be alternatively configured with more than one drive motor as illustrated in Figure 3. In particular, Figure 3 illustrates a section of the pumping system represented in Figure 2 between upper motor protector 38 and lower motor protector 40. Other system components not illustrated in Figure 3 may be substantially the same as those shown in Figure 2.

In the alternative embodiment illustrated in Figure 3, a first motor 30A is provided for driving a first pump (see pump 28 in Figure 2), while a second motor 30B is provided for driving a second pump (see pump 32 in Figure 2). Upper motor 30A drives through an upper connection module 36A and a motor protector 38 in manner similar to that described above with reference to Figure 2. Lower motor 30B drives through a motor protector 40 and additional system components disposed below motor protector 40 as described above with reference to Figure 2. A lower shroud 58B is provided about lower components of the pumping unit, including lower motor 30B, to

direct fluid upwardly about motor 30B to a lower connection module 36B. Connection module 36B includes a fluid passage 64B through which fluid flowing upwardly is conveyed to an intermediate shroud 58A. Intermediate shroud 58A surrounds upper motor 30A and conveys fluid from lower connection module 36B to upper connection module 36A. Connection module 36A includes a fluid passage 64A which directs fluid from shroud 58A upwardly to an upper shroud 60. As described above with reference to Figure 2, upper shroud 60 directs fluid upwardly from connection module 36A toward a production pump.

The sealed connections between shrouds 58A, 58B and 60 may be substantially identical to those about shrouds 58 and 60 of Figure 2, as described more fully below. Also, each shroud is preferably constructed as an extensible structure to permit thermal expansion and contraction of both the shrouds and pumping unit 12. Moreover, each connection module 36A and 36B includes a recess for receiving a respective power cable 52A and 52B for transmitting electrical power to motors 30A and 30B, respectively. It should be noted, however, that in the configuration illustrated in Figure 3, no mechanical transmission components need traverse lower connection module 36B, as lower motor 30B drives directly through motor protector 40 in a single direction.

Figures 4 through 8 represent exemplary internal configurations of drive-through separators for use in submersible fluid pumping systems in accordance with certain aspects of the present technique. As illustrated in Figures 4 and 5, separator 34 includes a housing 66 having a side wall 68 terminating in an upper attachment flange 70 and a lower attachment flange 72. Flanges 70 and 72 permit separator 34 to be secured in a modular fashion in pumping unit 12 as summarized above. A support or interface plate 74 is positioned radially within side wall 68 adjacent to flange 70. A similar support or interface plate 76 is positioned within side wall 68 adjacent to lower flange 72. One or more separators 78, such as hydrocyclone separators as shown, are provided within housing 66.

Separator 78 may be of a generally known configuration, including an inlet 80, a production outlet 82, and a non-production outlet 84. In the embodiment illustrated in Figures 4 and 5, production outlet 82 is coupled to a production port 86 provided in interface plate 74. An inlet port 88 is formed in side wall 68 to permit wellbore fluids to enter into housing 66. In the embodiment of Figures 4 and 5, non-production outlet

84 is plumbed through a non-production port 90 in interface plate 76. In operation, wellbore fluids enter housing 66 through inlet port 88 and are channeled through hydrocyclone inlet 80 to be separated into production and non-production fluids. Production fluids are then transmitted through outlet 82 and, thereby, through production port 86. Non-production fluids are routed through outlet 84 and exit housing 66 through non-production port 90. A fixed or variable orifice 92 may be provided in outlet 84 to provide back pressure for operation of hydrocyclone separator 78. It should be noted that where several separators are provided within housing 66, these may be plumbed in series or in parallel. Where multiple separators are provided in parallel, a fixed or variable orifice 92 if preferably disposed about a common outlet or header.

In addition to hydrocyclone separator 78, separator 34 includes one or more elements of a power drive train for transmitting torque from the drive motor to one or more pumps. In the embodiment illustrated in Figure 4, a drive shaft 94 is disposed through housing 66. Drive shaft 94 is supported within separator 34 by bearings 96 and 98 lodged in interface plates 74 and 76, respectively. As will be appreciated by those skilled in the art, ends of shaft 94 may be keyed, splined or otherwise configured for interfacing in a modular fashion with other components of the pumping system upon installation of separator 34, as described more fully below. Thus, for example, where separator 34 is to be incorporated in the configuration illustrated in Figure 2, a lower end of shaft 94 will be configured to interface with a drive train through pump 32, while an upper end of shaft 94 will be configured to interface with a similar drive train through motor protector 42.

Shaft 94 may be positioned coaxially within housing 66 or, as illustrated in Figures 4, 5 and 6, may extend generally parallel to an axis of housing 66, but offset from the housing axis. In the latter case, housing 66 may itself be coupled to adjacent components of pumping unit 12 via offset flanges or similar interface hardware (not shown).

Figure 6 illustrates an alternative configuration of separator 34. In the embodiment of Figure 6, hydrocyclone separator 78 is ported through side wall 68, and lower interface plate 76 is configured to receive wellbore fluids. One or a series of inlet ports 100 are formed in interface plate 76 to permit separator 34 to receive fluids, such as from an upstream pump 32 in a push-through system configuration. In the

embodiment of Figure 6, non-production fluids are ejected through side wall 68. As mentioned with regard to Figure 4, although a single hydrocyclone separator 78 is illustrated within separator 34 of Figure 6, multiple hydrocyclone separators may be provided and interconnected either in series or in parallel. A power transmission drive train, including shaft 94, extends through separator 34 and is supported by bearings 96 and 98 fitted to interface plates 74 and 76, respectively.

It should be noted that, while in the present description reference is made to upper and lower flanges, and upper and lower interface plates of separator 34, as will be appreciated by those skilled in the art, separator 34 may be oriented in a pumping system either in the position illustrated in Figures 4 and 6, or in an inverted position. The position selected will typically depend upon the relative position of the pumps within the pumping system and the flow paths desired by the well operator.

As mentioned above, separator 34 may be configured to include a number of hydrocyclone separators 78 positioned with a single unit. Also, the elements of the power transmission drive train traversing separator 34 may be positioned concentrically with the housing. Figures 7 and 8 illustrate a separator of this type. Specifically, as shown in Figure 7, separator 34 includes a housing 102 in which a top end plate 104 and a bottom end plate 106 are positioned. A series of intermediate plates or manifolds 108 are secured within housing 102, to define interior chambers 110. Inlet ports 112 are formed through side wall 68 of housing 102 to permit wellbore fluids to be drawn into separator 34. Where such ports 112 are provided for each chamber 110, pressure equalizing ports 114 are preferably formed in intermediate plates 108 to permit the exchange of sufficient fluid between the chambers to equalize pressure within the separator. Each end plate and intermediate plate is plumbed to one or more hydrocyclone separators 78.

As in the previous embodiments, each hydrocyclone separator 78 includes an inlet 80, a production outlet 82, and, a non-production outlet 84. In the embodiment illustrated in Figures 7 and 8, production outlets 82 are plumbed through a common production header 116 which terminates in top end plate 104. Similarly, non-production outlets 84 of the hydrocyclone separators are plumbed through a common non-production discharge header 118, which terminates in bottom end plate 106. A

ported production outlet 120 is formed in plate 104 to receive flow from production header 116. Similarly, a ported non-production fluid outlet 122 is formed in end plate 106. In operation, wellbore fluids are drawn into separator 34 via intake ports 112 to be separated into production and non-production fluids by hydrocyclone separators 78. Production fluids are then transferred upwardly through header 116 to exit separator 34 through port 120. Non-production fluids flow from hydrocyclone separators 78 through non-production header 118 to exit separator 34 through port 122.

Shaft 94 extends through housing 102, being supported by both end plates 104 and 106 and intermediate plates 108. As shown in Figure 7, for separators having a particularly long housing 102, multiple bearing sets may be provided along the length of the housing for supporting shaft 94 in rotation. In the specific embodiment illustrated in Figure 7, bearings 124 are provided in the end plates as well as in intermediate plates along separator 34. Because hydrocyclone separators 78 are positioned in a radial distribution within housing 102 (see Figure 8), shaft 94 is conveniently provided along a central axis 126 of housing 122. As summarized above with respect to Figures 4 through 6, ends of shaft 94 are formed to interface with drive components of pumping unit 12, to transmit torque between the submersible drive motor and a pump coupled to the drive motor through the intermediary of separator 34.

While the separator illustrated in Figure 7 is particularly well suited to pull-through separation systems, it will be appreciated by those skilled in the art that the unique features of the separator may be adapted for use in push-through systems. Accordingly, an inlet port for wellbore fluids may be provided in either upper plate 104 or lower plate 106. Outlets for routing non-production fluids from the hydrocyclone separators may then be ported through side wall 68, similar to the arrangement illustrated in Figure 6, permitting non-production fluids to be injected directly into a discharge zone adjacent to the separator.

It should also be noted that the embodiment of separator 34 illustrated in Figures 7 and 8 may be subject to a variety of alternative configurations. For example, in a presently preferred configuration, a series of hydrocyclone separators are positioned on one side of housing 122. Sixteen such hydrocyclone separators are embodied in a single unitary device. A cable for supplying electrical energy to a submersible motor may be positioned on the outside of the pumping system, on the same side as the

hydrocyclone separators. Because in a typical well application the submersible pumping unit has much less clearance within the wellbore than illustrated diagrammatically in the Figures, the presence of the cable adjacent to the pumping system urges separator ports provided in the housing away from the well casing, facilitating flow into the separator. Other alternative configurations may be envisaged by those skilled in the art depending upon wellbore clearances, orientations, production and rejection rates, and so forth. Moreover, dynamic separating units may be employed in place of the hydrocyclone separators described above.

Figures 9 and 10 illustrate the presently preferred configurations for upper and lower ends of separator 34 when coupled to adjacent components of pumping system 10. In particular, as illustrated in Figure 9, the upper end of separator 34 includes an intake section, designated generally by the reference numeral 128, and a transfer section 130. In the illustrated embodiment, intake section 128 serves to draw wellbore fluids into the separator, while transfer section 130 serves to transmit production fluids upwardly in the pumping unit toward production pump 28. Specifically, side wall 68 of intake section 128 forms an intake chamber 132 which is in fluid communication with wellbore fluids external to separator 34 via intake apertures 54. Wellbore fluids enter into intake chamber 132 through apertures 54 as indicated by arrows 134. A series of shaft sections 136 are coupled to shaft 94 of separator 34 to transmit torque to shaft 94 from motor 30, as illustrated in Figure 2 (or motor 30B as illustrated in Figure 3). The shaft sections are coupled to one another via couplings 138 in a manner generally known in the art. Bores 140 are formed through the internal components of both the intake section 128 and transfer section 130 to accommodate shaft 94 and shaft sections 136.

As described above with respect to Figures 7 and 8, a production header 116 carries production fluids separated from wellbore fluids in separator 34 to a production outlet 120. Production header 116 and production outlet 120 are separated from wellbore fluids entering into intake chamber 132 by a seal plate 142. Seal plate 142 is sealed within the inner periphery of side wall 68 as illustrated in Figure 9. A mechanical seal assembly 144 is secured to a lower face of seal plate 142, and surrounds and seals against shaft 94 to isolate wellbore fluids within intake chamber 132 from production fluids passing through production outlet 120 and discharge apertures 56. Seal assembly

144 is preferably of a conventional design available commercially from Flowserve of Tulsa, Oklahoma. Below seal assembly 144, and within intake chamber 13~ an impeller 146 is secured to shaft 94 and rotates with shaft 94. Impeller 146 forces circulation of wellbore fluids entering into intake chamber 132 to promote convective cooling of seal assembly 144. From intake chamber 132, wellbore fluids are drawn through the individual separator units included in separator 34 as described above.

Figure 10 illustrates the internal configuration of the lower end of separator 34 in accordance with the presently preferred embodiment. As shown in Figure 10, shaft 94 passes through end plate 106 in which discharge header 118 is provided. Discharge header 118 is sealed to non-production fluid outlet 122 for transferring non-production fluids in a downward direction for injection into an appropriate subterranean discharge zone. A lower end of shaft 94 is sealed from the upper end of second pump 32 by a seal plate 150, similar to seal plate 142 described above with reference to Figure 9. Seal plate 150 is sealed to the inner periphery of side wall 68 of separator 34 to form a seal chamber 152 between end plate 106 and seal plate 150. A series of apertures 154 are formed through side wall 68 to permit wellbore fluids to enter into seal chamber 152. A seal assembly 156 is secured to an upper face of seal plate 150 and seals against rotating shaft 94 to isolate seal chamber 152 from the intake side of pump 32. Seal assembly 156 is preferably substantially similar to seal assembly 144 described above. An impeller 158 is secured to shaft 94 and rotates with shaft 94 to circulate wellbore fluids within seal chamber 152 to promote convective cooling of seal assembly 156.

As described generally above, the fluid directing shrouds included in the preferably preferred embodiment of pumping system 10 are extensible and contractible to permit relative extension and contraction of both the shrouds and portions of pumping unit 12 over which the shrouds extend during operation, while maintaining a fluid-tight seal around the annular flow paths defined by the shrouds. While various configurations may be envisioned by those skilled in the art to permit the shrouds to seal against pumping unit 12 while allowing for thermal expansion and contraction, in presently preferred embodiments one or both ends of the shrouds may be fixedly secured to components of pumping unit 12 and a sliding seal provided at appropriate positions along the length of the shroud to accommodate expansion and contraction.

Figures 9 and 11 illustrate two presently preferred arrangements for securing

one end of a shroud fixedly to an element of pumping system 12. Specifically, as illustrated in Figure 9, each shroud comprises an elongated tubular body 160 extending along a portion of pumping unit 12 to define an annular flow path, such as indicated at reference numeral 62 in Figure 9. As shown in Figure 9, shroud 58 is secured to an upper end of transfer section 130 of separator 34. To sealingly secure the shroud to separator 34, a first sealing land 162 is formed about the lower outer periphery of shroud body 160, while a similar sealing land 164 is formed about the outer periphery of transfer section 130. A coupling ring 166 is secured about both sealing lands to hold body 160 and an upper end of transfer section 130 in close abutment. In the illustrated embodiment, coupling ring 166 serves both to maintain the shroud body 160 in a desired position with respect to the pumping unit component, as well as to seal the fluid flow paths defined within the component and the shroud to one another. Accordingly, adjacent to each sealing land 162 and 164, annular grooves 168 and 170 are formed. Within an inner periphery of coupling ring 166, seal grooves 172 are formed, and sealing members, such as O-rings 174 are disposed within the grooves.

During assembly, coupling ring 166 is placed over land 164 to compress sealing member 174 slightly to form a fluid-tight seal between land 164 and the inner periphery of coupling ring 166. Shroud body 160 is then inserted into the position illustrated in Figure 9, forming a fluid-tight seal between land 162 and the upper sealing member 174. A series of fasteners 176 are secured in apertures around the upper and lower periphery of coupling ring 166 and enter into grooves 168 and 170 to maintain the elements in the sealed position illustrated. In a presently preferred embodiment, a series of 14 set screws 176 are secured in corresponding apertures about upper and lower ends of coupling ring 166.

As illustrated in Figure 11, in accordance with another preferred arrangement a flange-type structure is used to secure a shroud end to a component of pumping unit 12. Figure 11 illustrates an upper end of shroud 60 which extends about motor protector 38 and directs fluid to upper pump 28 via pump intake apertures 50. Shroud 60 is secured to a lower section of pump 28 by a flanged coupling structure as follows. A peripheral flange groove 178 is formed about the lower end of pump 28 adjacent to intake apertures 50. A flange 180 is fitted within groove 178 and an annular flanged coupling 182 is secured to flange 180 by means of fasteners 184. Flanged coupling 182

is sealed about pump 28 by means of a seal member 186 disposed within an annular groove 188 formed in a peripheral face of pump 28.

A coupling ring 166 is secured about a lower end of flanged coupling 182 to hold an upper end of shroud 60 in place and to seal the annular fluid path 63 within shroud 60 in fluid communication with inlet apertures 50. Coupling ring 166 is preferably substantially similar to that described above with respect to Figure 9. Accordingly, to permit coupling ring 166 to be mechanically secured to flanged coupling 182 and to an upper end of shroud 60, coupling 182 includes a sealing land 162 and an annular groove 168, while the upper end of shroud 60 includes a similar sealing land 164 and annular groove 170. A pair of seal grooves 172 are formed in the inner face of coupling ring 166, and a seal 174 is disposed in each groove. Coupling ring 166 is fitted about sealing land 162, and shroud 60 is fitted into coupling ring 166 to compress seals 174 and thereby to seal coupling ring 166 about both flanged coupling 182 and shroud 60. Fasteners 176, such as a series of set screws, are secured within apertures about the periphery of coupling ring 166, entering into grooves 168 and 170 to mechanically hold shroud 60 in place below flanged coupling 182.

It should be noted that in addition to the coupling ring and flange structures described above, those skilled in the art may envision alternative arrangements for sealingly securing ends of the extensible shrouds to components of pumping unit 12. In particular, threaded ends of the shroud body and of mating coupling ring elements may be provided for mechanically securing the shrouds in place, while maintaining the desired fluid-tight seal. It has been found that the preferred embodiments described above, however, facilitate field installation of the shrouds, while maintaining the desired nominal lengths of the shroud sections for thermal expansion and contraction as described below.

Where pumping system 10 includes particularly long shroud sections, as illustrated in the case of shroud 58 in Figure 2, the shroud body may comprise a plurality of tubular sections joined end-to-end as illustrated in Figure 12. In the presently preferred embodiment, shroud lengths of over 20 feet are divided into tubular sections of this type to facilitate the manufacture, transport and installation. As illustrated in Figure 12, tubular sections 190 and 192 of a shroud may be joined to one another by means of a coupling ring system of the type described above. Accordingly,

each shroud section 190 and 192 presents an outer peripheral sealing land 162 and 164, respectively. A coupling ring 166 of the type described above with reference to Figures 9 and 11, is fitted about the shroud sections and includes seals 174 fitted within inner peripheral annular grooves 172. Annular grooves 168 and 170 are formed adjacent to sealing lands 162 and 164 and receive fasteners, such as set screws 176, for securing the shroud sections to one another.

As mentioned above, each shroud is extendible and contractible with thermal expansion of both the shrouds and the pumping unit to maintain a fluid-tight seal about the flow paths defined between the shrouds and the pumping unit. Figure 13 illustrates two presently preferred arrangements for permitting such thermal expansion and contraction. As shown in Figure 13, a shroud, such as upper shroud 60, may establish a fluid-tight seal about a component of pumping unit 12, such as connection module 36 as shown in Figure 13. In general, as described in greater detail below, connection module 36 includes a body 194 traversed by a bore 196 which permits a drive shaft 198 to be rotatably positioned within and to conduct torque through module 36 from motor 30 to pump 28 (see Figure 2). A lower end 200 of shroud 60 is fitted about body 194 and provides a sliding seal with the outer periphery of the body. Accordingly, an inner annular sealing land or region 202 is formed about lower end 200 of shroud 60, while a similar sealing land or region 204 is formed about the outer periphery of body 194. A seal groove 206 is formed within sealing region 204 and an annular fluid seal member 208 is disposed therein.

When shroud 60 is fitted to body 194, seal member 208 is compressed and sealing regions 202 and 204 are brought into mutually facing relation with one another to seal fluid path 63 within shroud 60 in fluid communication with fluid passage 64 formed in connection module 36. As shroud 60 and the elements contained within shroud 60 expand and contract due to temperature variations within the wellbore, thermal expansion and contraction is accommodated by relative movement of sealing regions 202 and 204 with respect to one another. In particular, as shown in Figure 13, shroud 60 is assembled to position lower end 200 thereof in a nominal position 210. However, the shroud and the pumping unit components may expand and contract during assembly, transport and use between predetermined lengths wherein lower end 200 is located within a maximal upper position 212 and a maximal lower position 214. As will

be appreciated by those skilled in the art, the lengths and positions of sealing regions 202 and 204 are designed to maintain sealing engagement of shroud 60 about body 194 throughout the anticipated thermal expansion and contraction cycles of the equipment. In general, the lengths and locations of regions 202 and 204 will depend upon the relative lengths of the shroud and upon the pumping unit components contained within the shroud, the thermal expansion coefficients of each, and the anticipated temperature range to which the elements will be subjected.

Figure 13 also illustrates another preferred configuration for permitting relative thermal expansion and contraction of a shroud and pumping unit components. Specifically, as illustrated in the lower portion of Figure 13, shroud 58 is secured to a lower portion of connection module 36 by means of a flanged coupling structure similar to that described above with respect to Figure 11. Specifically, a flange 180 is fitted within a flange groove 178 formed within body 194 of connection module 36. A flange coupling 216 is secured to flange 180 by means of fasteners 184. A fluid-tight seal is established between body 194 and flange coupling 216 by a seal 186 fitted within a groove 188 formed in body 194.

Flange coupling 216 includes an open lower end for receiving an upper end of shroud 58. An inner peripheral sealing land or region 218 is formed within coupling 216, while a facing sealing land or region 220 is formed about the outer periphery of shroud 58. A seal groove 222 is formed about the outer periphery of shroud 58, and a sealing member 224 is fitted within the groove. When shroud 58 is fitted within coupling 216, regions 218 and 220 are brought into mutually facing relation and sealing member 224 is compressed. A fluid-tight seal is thus established between sealing regions 218 and 220 which is maintained throughout expansion and contraction of the shroud and of the components covered by the shroud during cycling. Accordingly, upon installation, shroud 58 will extend into coupling 216 in a nominal position as indicated by reference numeral 226. During expansion and contraction cycles of the equipment, shroud 58 and coupling 216 will move relative to one another between a maximal upper position 228 and a maximal lower position 230. As described above with respect to sealing regions 202 and 204, the length and amount of engagement between sealing regions 218 and 220 will depend upon the relative lengths of the shroud and pumping unit components covered by the shroud, as well as upon their coefficients of thermal

expansion and the anticipated temperature variations to which the equipment will be subjected during use.

As mentioned above, in the preferred embodiment illustrated, connection module 36 permits a fluid flow path to be established within pumping system 10, while facilitating electrical connection of cable 52 to motor 30 (or cables 52A and 52B to motors 30A and 30B). Figure 13 illustrates a presently preferred embodiment of connection module 36.

Thus, connection module 36 includes a body 194 through which a bore 196 is formed for permitting a power transmission shaft 198 to be connected between modular components on either side of connection module 36. As installed in the particular arrangement illustrated in Figure 13, connection module 36 extends between motor 30 and motor protector 38, the latter component being in turn coupled to production pump 28. However, it should be understood that connection module 36 may be secured between a motor 30 and other components of pumping system 10 as desired depending upon the particular system configuration. Also as described above, connection module 36 preferably includes features for coupling fluid conduits, such as shrouds 58 and 60 in fluid communication with an internal passage 64 traversing connection module 36. In the embodiment of Figure 13, such features include a sliding sealing arrangement formed by sealing region 204 and seal 208, and a fixed flange arrangement including groove 178, flange 180, and seal 186. Moreover, the fluid directing features may be provided in a single unitary structure as illustrated in Figure 13, or may be formed in separable modular components which are assembled to form a unitary structure.

As illustrated in Figure 13, fluid passage 64 preferably includes an elongated central portion 232 and a pair of outwardly angled portions 234 and 236 formed within upper and lower interface ends 238 and 240, respectively, of connection module 36. This preferred form of fluid passage 64 permits the outer dimensions of connection module 36 to be maintained within a compact envelope as needed to fit within wellbore 16, while directing fluid to internal fluid paths defined by the adjacent shrouds. Moreover, while a single fluid passage 64 may be provided in connection module 36, a plurality of such passages are preferably radially spaced within body 194 as illustrated in Figure 14. Each passage is separated by an internal partition 242 formed within body 194.

In addition to fluid passage 64, connection module 36 includes a recess 242 for receiving cable 52. As will be appreciated by those skilled in the art, because power and data signals are typically transmitted via a multi-conductor cable 52, electrical connection must be made between the submersible motor 30 and power supply and data control and monitoring equipment above the earth's surface. In the embodiment illustrated in Figures 13 and 14, recess 244 serves to receive a terminal portion 246 of cable 52 to which a terminal plug 248 is attached. Cable 52 and terminal plug 248 are preferably of known design. Moreover, in the presently preferred embodiment, connection module 36 includes an electrical connector 250 which interfaces with plug 248 to convey power to motor 30. Connector 250 is provided in a docket 252 which is equipped with a peripheral seal 254 for sealing conductors extending from plug 248 and connector 250. A passageway 256 is formed in body 194 to accommodate conductors (not illustrated in Figure 13) for conveying electrical power to motor 30 from connector 250.

As will be appreciated by those skilled in the art, connection module 36 thus serves multiple functions within pumping unit 12. Specifically, module 36 facilitates transfer of fluids between the system components, particularly between fluid paths defined by shroud 58 and 60. Moreover, module 36 enables components on either side thereof to be driven via a power transmission shaft 198. Finally, connection module 36 serves as a motor head for completing current carrying paths between a power supply cable and a submersible motor included within pumping unit 12 without the need to traverse a fluid shroud extending around the system components.

While the invention may be susceptible to various modifications and alternative forms, specific embodiments have been shown by way of example in the drawings and have been described in detail herein. However, it should be understood that the invention is not intended to be limited to the particular forms disclosed. Rather, the invention is to cover all modifications, equivalents, and alternatives falling within the spirit and scope of the invention as defined by the following appended claims.

For example, while the shroud arrangement described above may be advantageously used in conjunction with the connection module and drive-through separator components of the pumping system, the invention is not intended to be limited to any particular combination of components or system configuration. Accordingly, the

inventive shroud arrangement may be employed in systems comprising conventional components, with or without a fluid separator or connection module. Moreover, while the sliding seal arrangement described above is presently preferred, those skilled in the art may envision variations on the disclosed structure which nevertheless fall within the scope of the claims. Such variations may include metallic bellows structures, baffle (non-sliding seal) structures, and so forth.

The embodiments of the invention in which an exclusive property or privilege is claimed are defined as follows:

1. A fluid directing arrangement for a submergible pumping system, the pumping system comprising a plurality of components including a submergible pump and a submergible motor coupled to the pump, the motor being configured to drive the pump to displace fluids within a well, the arrangement comprising:
 - a substantially annular shroud configured to extend around at least a portion of the motor, the shroud having a first end and a second end;
 - a sealed coupling assembly for securing the shroud fixedly to the pumping system at the first end; and
 - a sliding seal assembly for adjustably sealing the shroud to the pumping system at the second end to define a fluid tight flow path between the first and second ends of the substantially annular shroud and the pumping system, the sliding seal assembly permitting relative thermal expansion and contraction of the shroud and the pumping system while maintaining a fluid tight seal at the second end.
2. The arrangement of claim 1, comprising a sealed ring configured to secure the first end of the shroud to a component of the pumping system.
3. The arrangement of claim 2, wherein the first end includes at least one recess about an outer periphery thereof, and wherein the arrangement comprises at least one fastener configured to enter into the at least one recess to secure the ring in a predetermined position about the first end.
4. The arrangement of claim 1, 2 or 3, comprising a first sealing region formed in an inner periphery of the second end and a second sealing region formed in an outer periphery of a component of the pumping system, the first and second sealing regions lying in mutually facing relation when the shroud is secured to the pumping system.
5. The arrangement of claim 4, comprising a seal member disposed between the first and second sealing regions.

6. The arrangement of claim 5, wherein the seal member is disposed within an annular groove in the second sealing region and when the shroud is secured to the pumping system the seal member is in sliding contact with the first sealing region.
7. The arrangement of any one of claims 1 to 6, wherein the shroud includes at least first and second tubular sections sealingly joined coaxially to one another.
8. The arrangement of claim 7, wherein the first and second tubular sections are joined to one another by a sealed ring disposed at mutually facing ends of each section.
9. A fluid directing shroud arrangement for a submersible pumping system, the pumping system comprising a plurality of components including a submersible pump and a submersible motor coupled to the pump, the motor being configured to drive the pump to displace fluids within a well, the shroud arrangement comprising:
 - a first tubular shroud section configured to extend around a first portion of the pumping system, the first tubular shroud section having a first upper end and a first lower end, the first upper end configured to be sealingly secured to the pumping system;
 - a second tubular shroud section configured to extend around a second portion of the pumping system, the second tubular shroud section having a second upper end and a second lower end, the second lower end configured to be sealingly secured to the pumping system, the second upper end telescopically engaging the first lower end; and
 - a sliding seal assembly disposed between the second upper end and the first lower end, the second upper end being adjustably sealed to the first lower end via the sliding seal assembly to define a fluid flow path between the pumping system and the first and second tubular shroud sections.
10. The arrangement of claim 9, wherein the first tubular section includes a first sealing region adjacent to the first lower end and the second tubular section includes a second sealing region adjacent to the second upper end, the first and second sealing regions configured to lie in mutually facing relation when the first and second tubular sections are secured to the pumping system.

11. The arrangement of claim 10, further comprising a seal disposed between the first and second sealing regions.
12. The arrangement of claim 11, wherein the seal is disposed in an annular recess formed in the second upper end of the second tubular section.
13. The arrangement of any one of claims 9 to 12, wherein at least one of the first and second tubular sections includes a plurality of tubular elements coaxially and sealingly secured to one another.
14. A submersible pumping system for pumping fluids in a well, the system comprising:
 - a submersible pumping unit including at least a pump and a motor, the pump having an inlet and an outlet and being configured to draw well fluids through the inlet and to express the well fluids through the outlet, the motor being drivingly coupled to the pump;
 - means for applying power to the motor to drive the motor and pump;
 - means for directing a flow of fluid from the pump outlet to a desired location; and
 - a shroud sealingly secured to the pumping unit, the shroud including a generally annular body having first and second ends sealed to the pumping unit to define an annular fluid flow path between an inner periphery of the shroud and a portion of the pumping unit along which the shroud extends, the shroud including a sliding seal assembly to permit relative longitudinal movement between the shroud and the pumping unit while maintaining the fluid flow path sealed, the shroud and the portion of the pumping unit being extensible and contractible with respect to one another over a range of lengths to permit relative thermal expansion and contraction of the shroud and the portion of the pumping unit during operation.
15. The pumping system of claim 14, wherein the first end of the shroud is sealingly secured to the pumping unit in a predetermined location therealong and the second end of the shroud forms a sliding seal with a sealing region of the pumping unit.
16. The pumping system of claim 15, further comprising a seal member disposed between the second end of the shroud and the sealing region of the pumping unit.

17. The pumping system of claim 16, wherein the seal member is disposed in a generally annular groove formed in the sealing region of the pumping unit.
18. The pumping system of any one of claims 14 to 17, wherein the first and second ends of the shroud are sealingly secured to predetermined locations along the pumping unit, and wherein the shroud body includes a first tubular section, a second tubular section, and an extensible seal joint sealingly coupling the first and second tubular sections to one another.
19. The pumping system of claim 18, wherein the extensible joint includes a first sealing region formed on the first tubular section and a second sealing region formed on the second tubular section, the first and second sealing regions lying in mutually facing relation and slidable with respect to one another to permit expansion and contraction of the pumping system.
20. The pumping system of claim 19, wherein the extensible joint includes a sealing member disposed between the first sealing region and the second sealing region.
21. The pumping system of claim 20, wherein the sealing member is disposed in an annular groove formed in the second sealing region.
22. The pumping system of any one of claims 18 to 21, wherein the first tubular section includes a plurality of annular members sealingly joined coaxially with one another.
23. A shroud assembly for containing a fluid volume surrounding a portion of the exterior of a submersible pumping system, comprising:
 - a shroud, comprising a substantially annular body with an upper end and a lower end;
 - a first coupling, for coupling the upper end of the shroud to the submersible pumping system;
 - a second coupling, for coupling the lower end of the shroud to the submersible pumping system; and

wherein, the first coupling and the second coupling maintain a fluid seal between the shroud and the submergible pumping system and provide for relative thermal expansion between the shroud and the submergible pumping system.

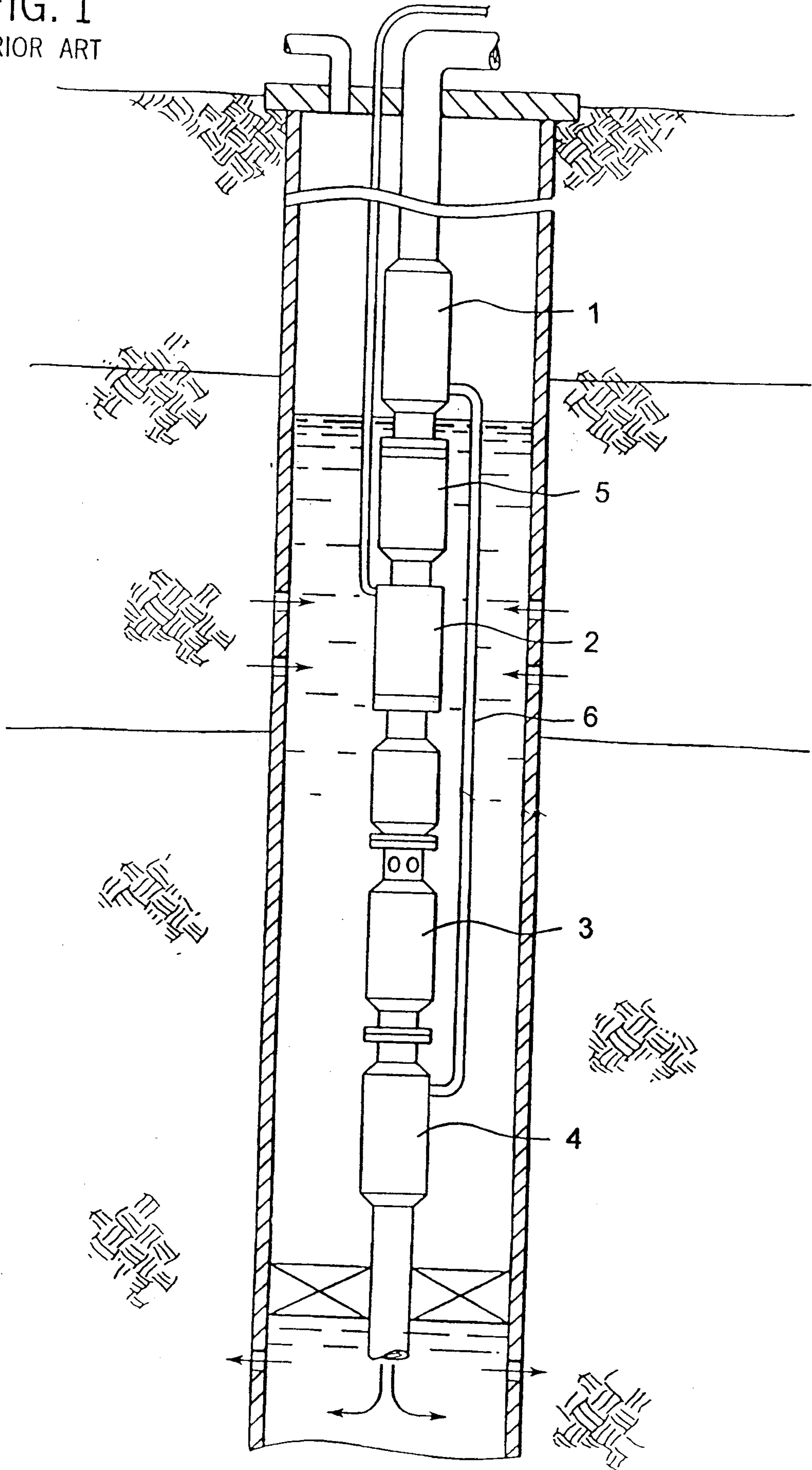
24. The system of claim 23, wherein the first coupling includes a first fluid seal disposed in an annular recess formed in the first coupling.

25. The system of claim 24, wherein the shroud is extensible and contractible within the annular recess formed in the first coupling when there is relative thermal expansion and contraction between the shroud and the submergible pumping system.

26. The system of claim 24 or 25, wherein the second coupling includes a second fluid seal disposed in an annular recess formed in the second coupling.

27. The system of claim 26, wherein the shroud is extensible and contractible within the annular recess formed in the second coupling when there is relative thermal expansion and contraction between the shroud and the submergible pumping system.

FIG. 1
PRIOR ART



2 / 10

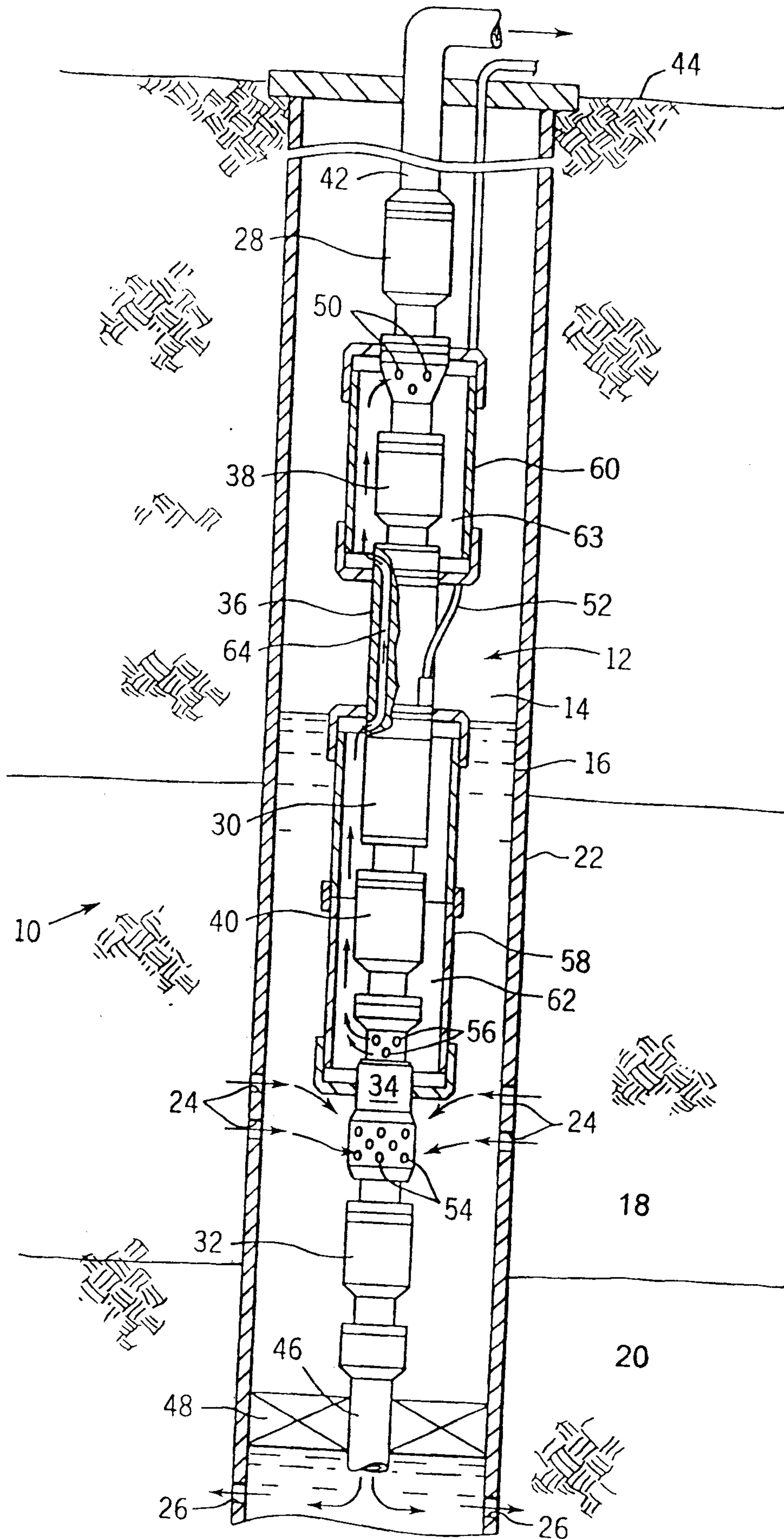


FIG. 2

FIG. 3

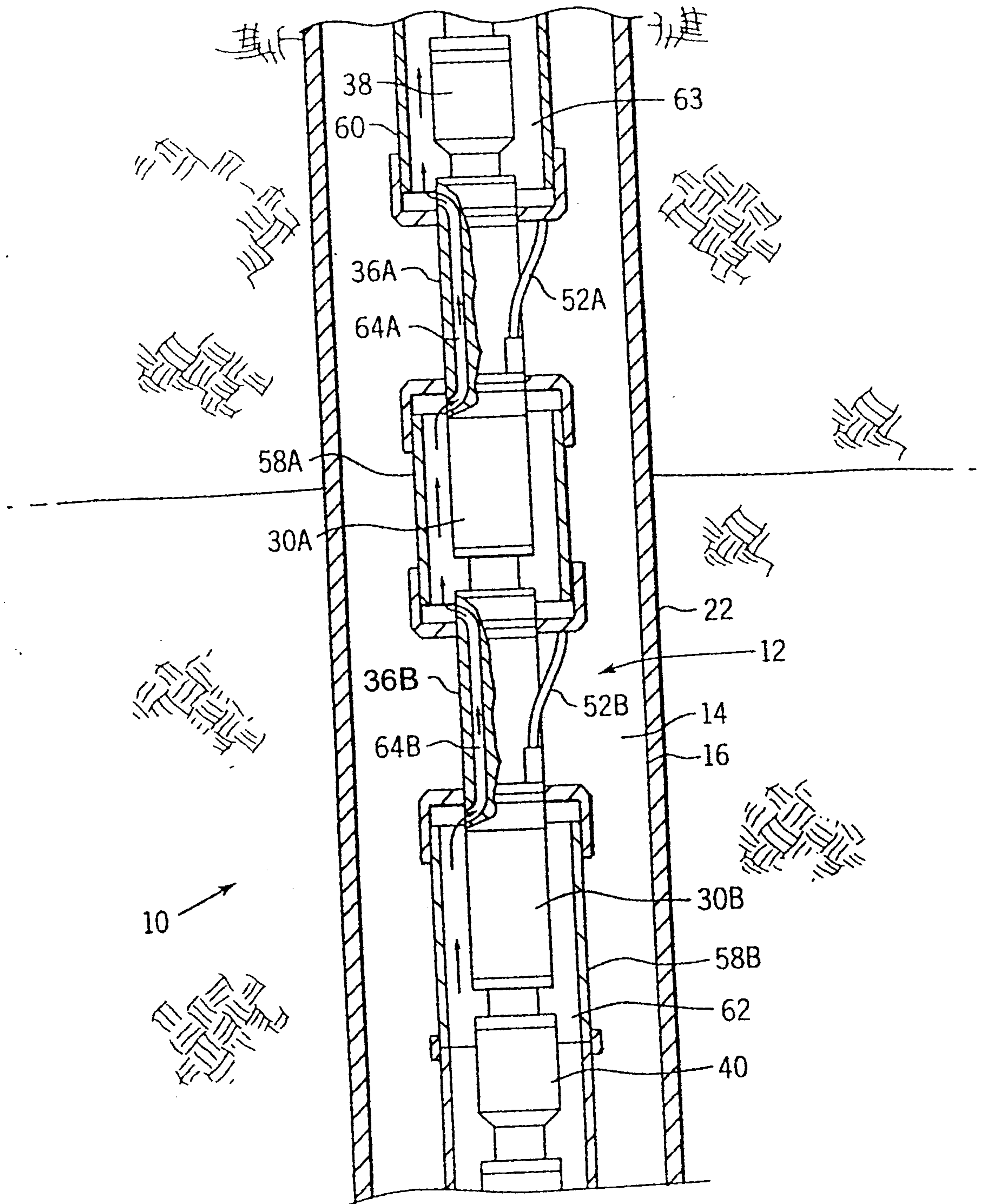


FIG. 4

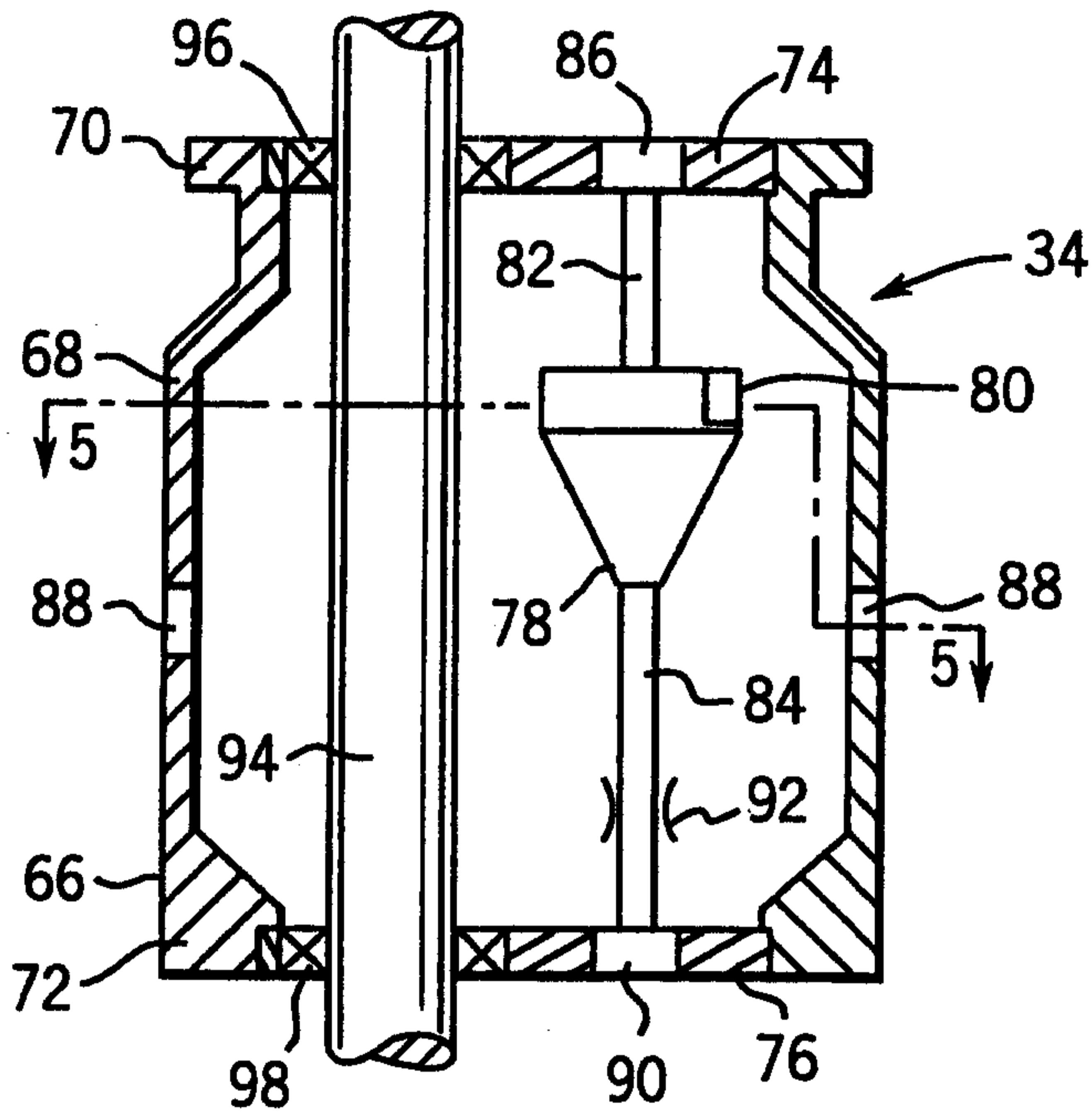


FIG. 5

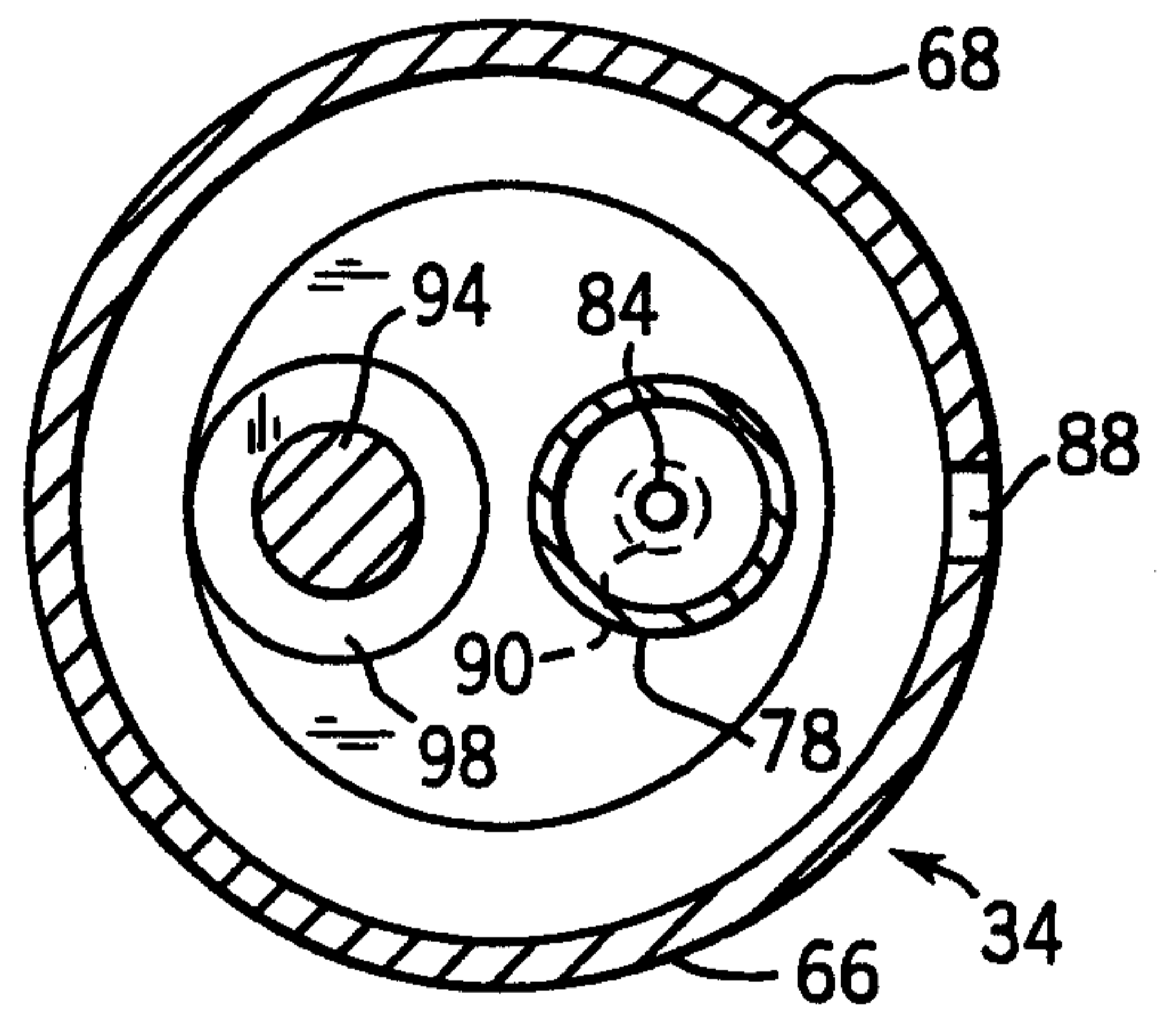


FIG. 6

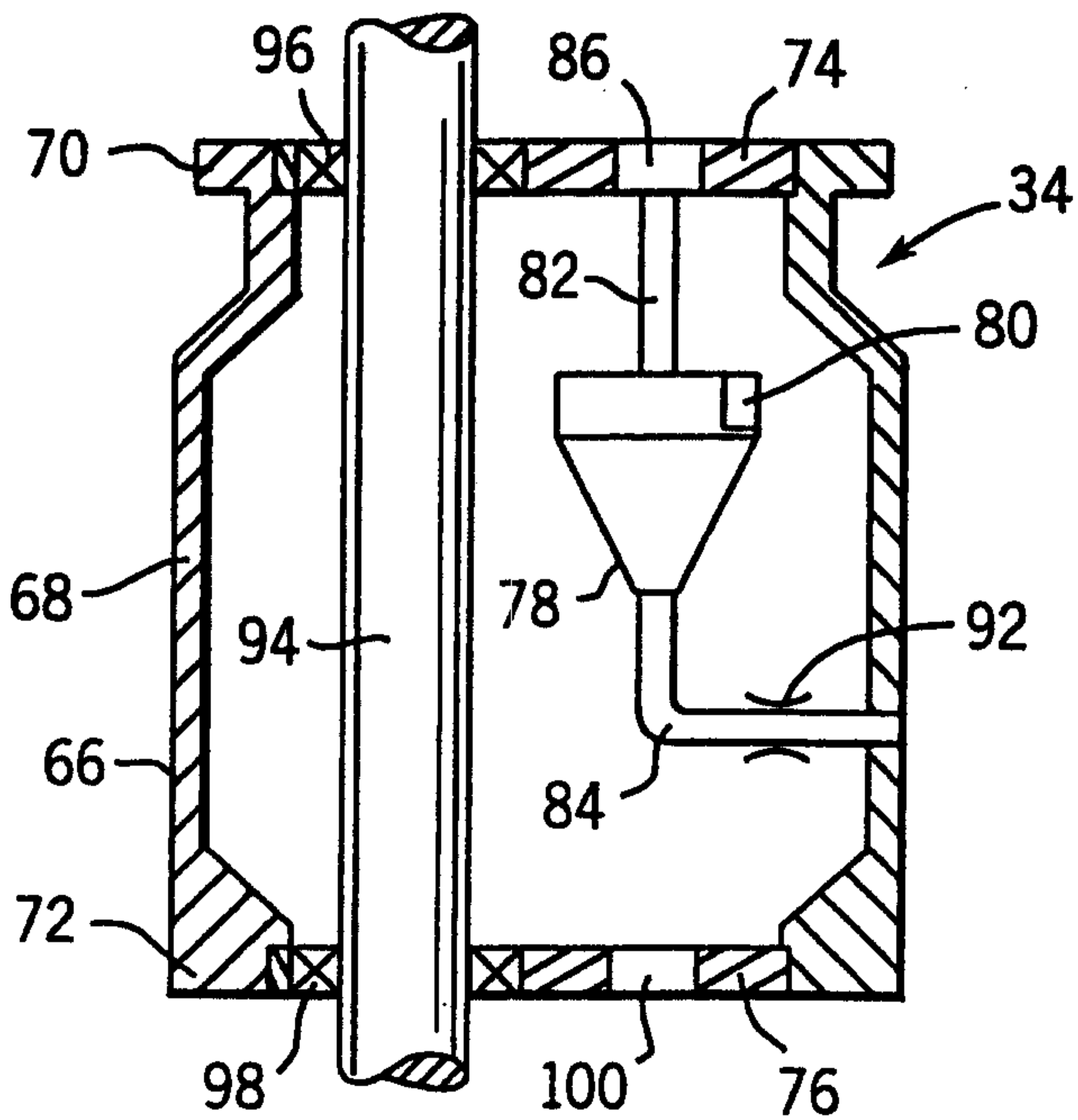
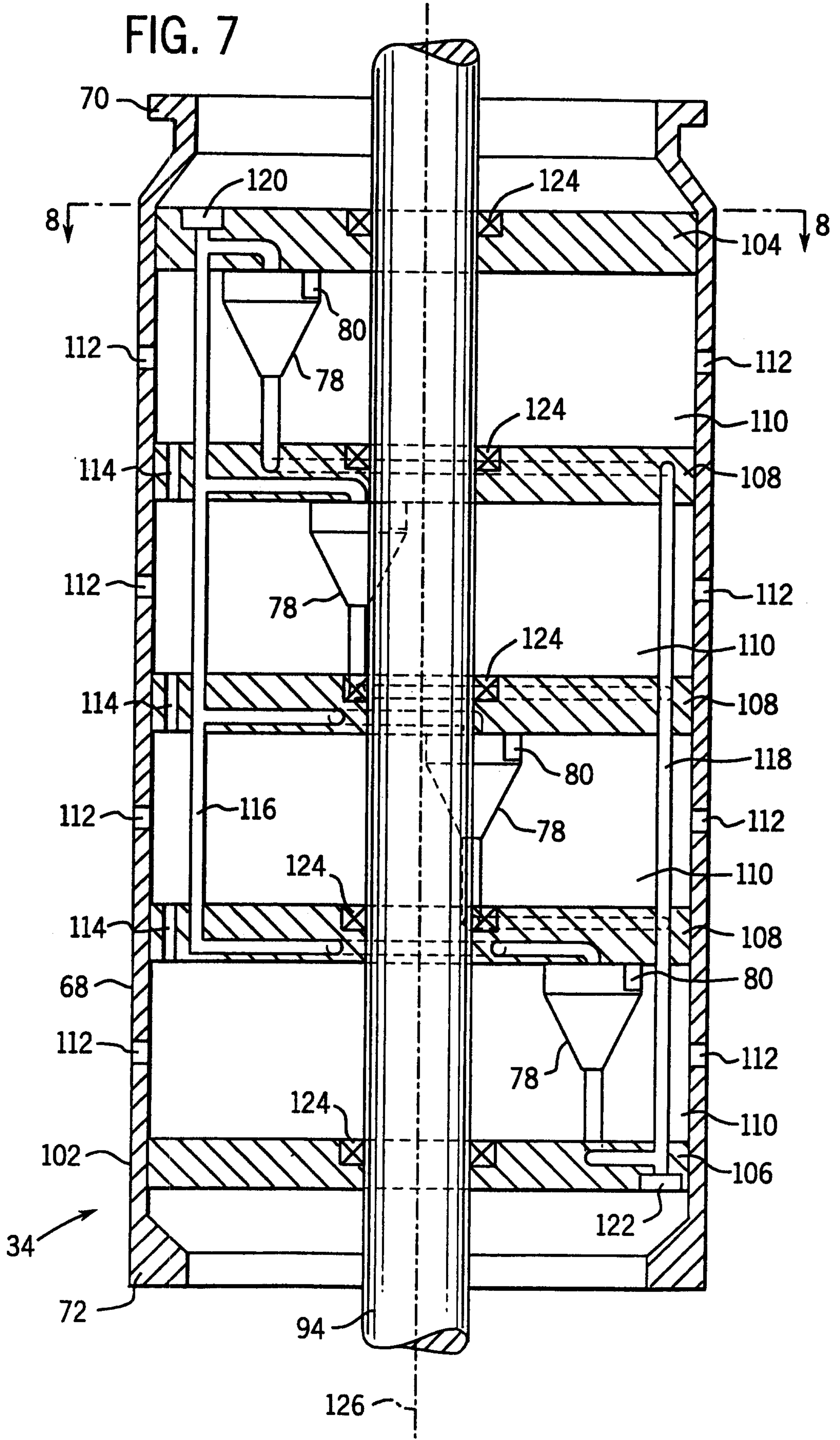


FIG. 7



Marks & Clerk

FIG. 8

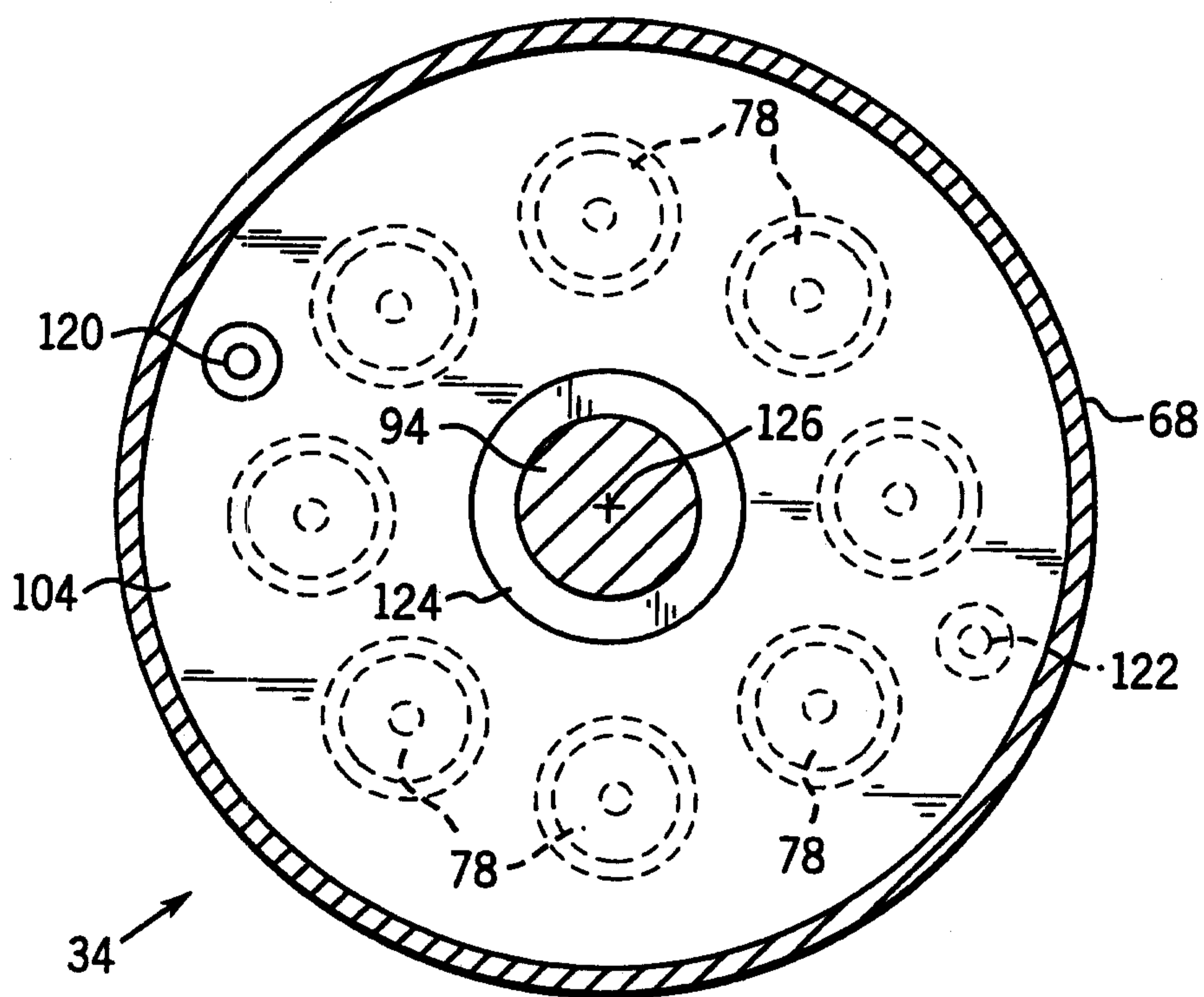
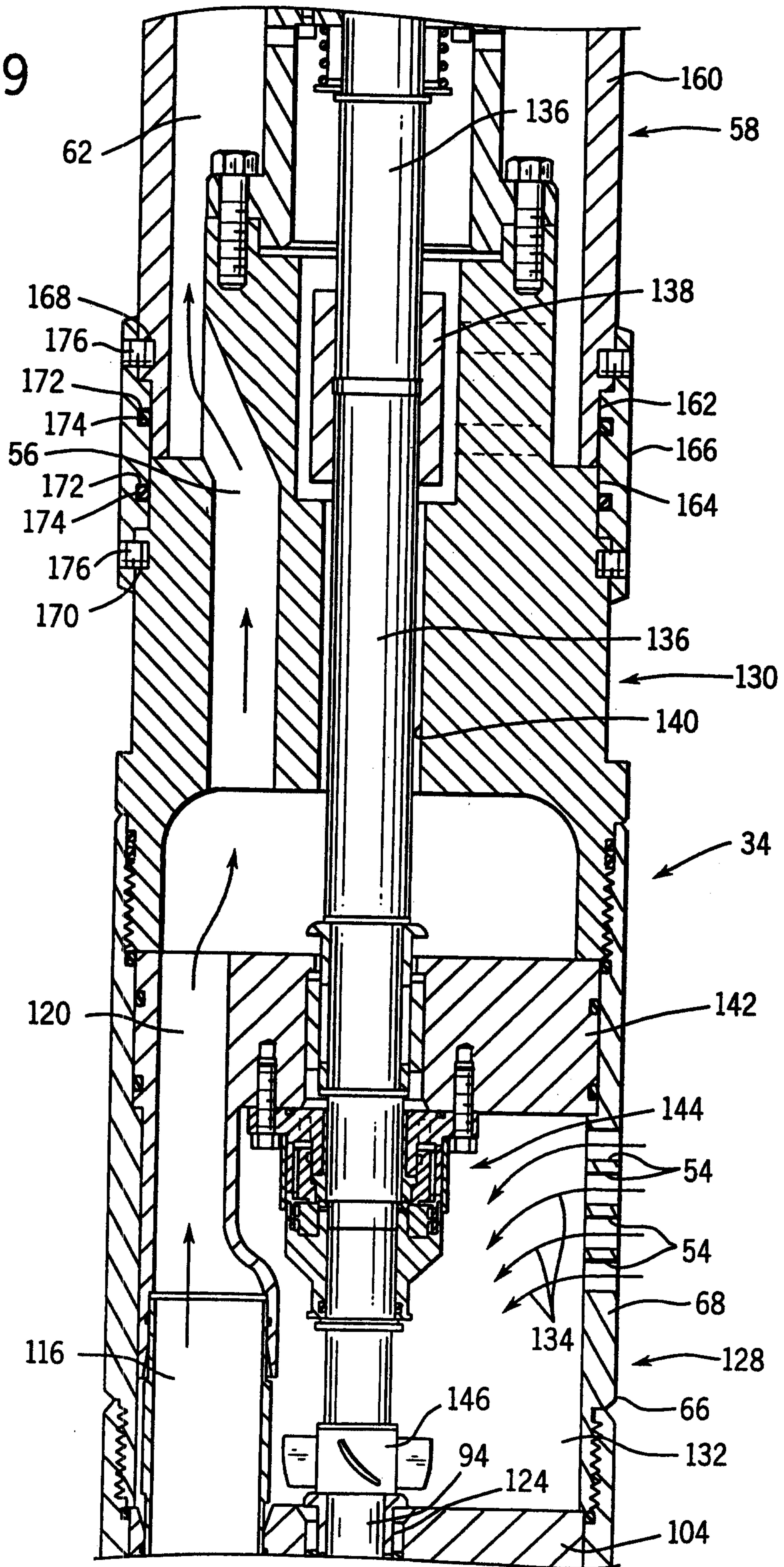


FIG. 9



Marks & Clerk

FIG. 10

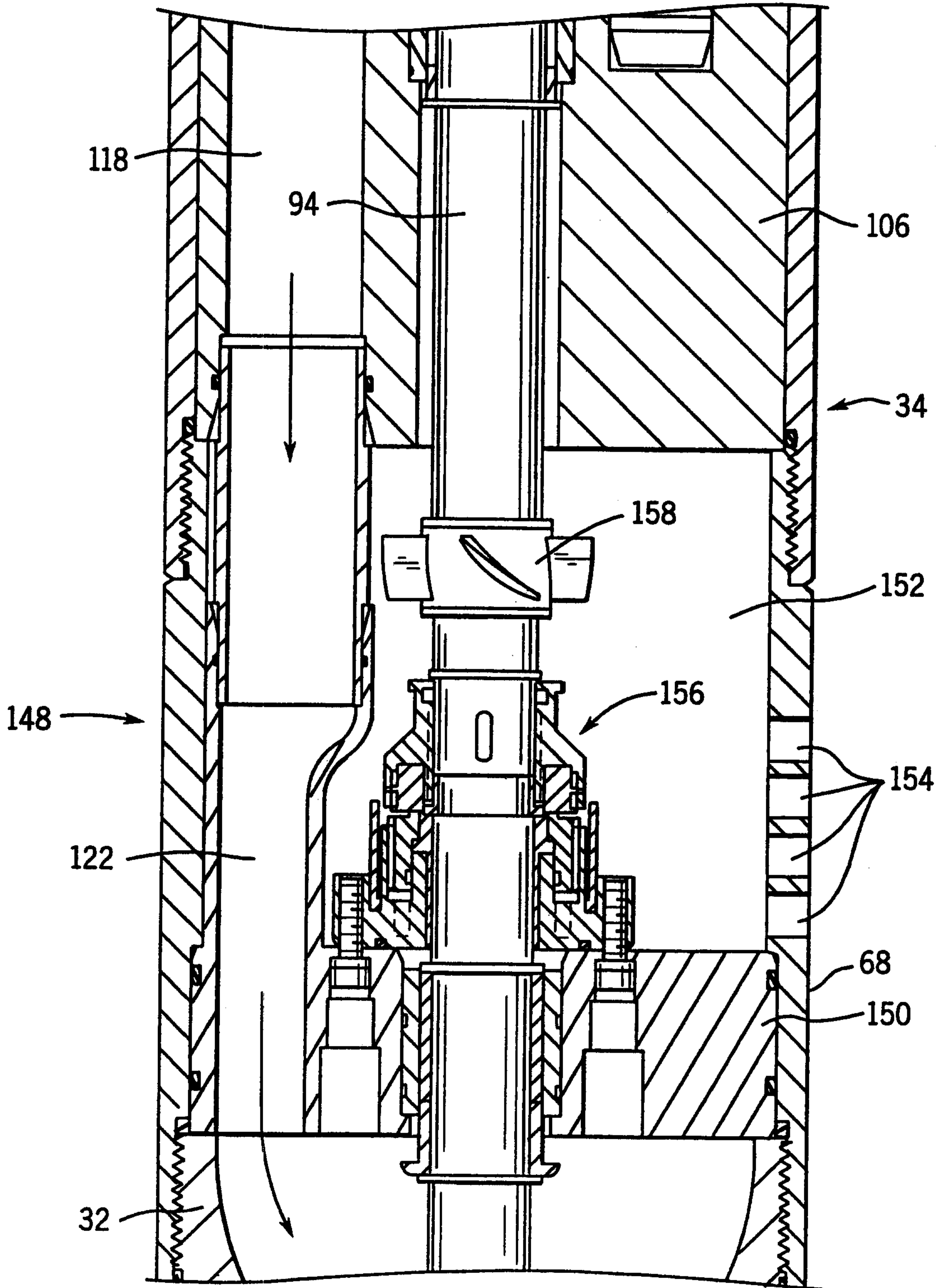


FIG. 11

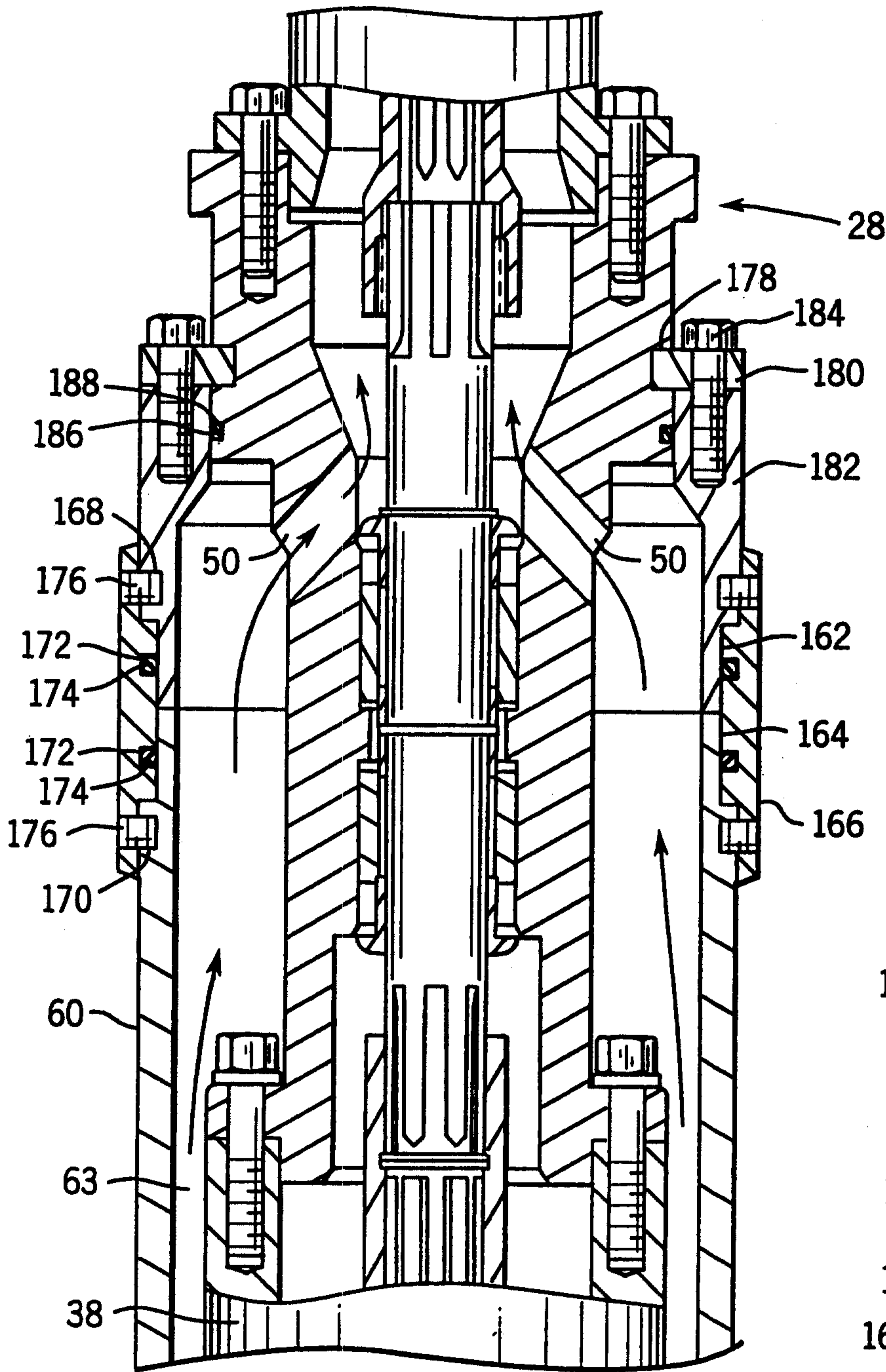


FIG. 12

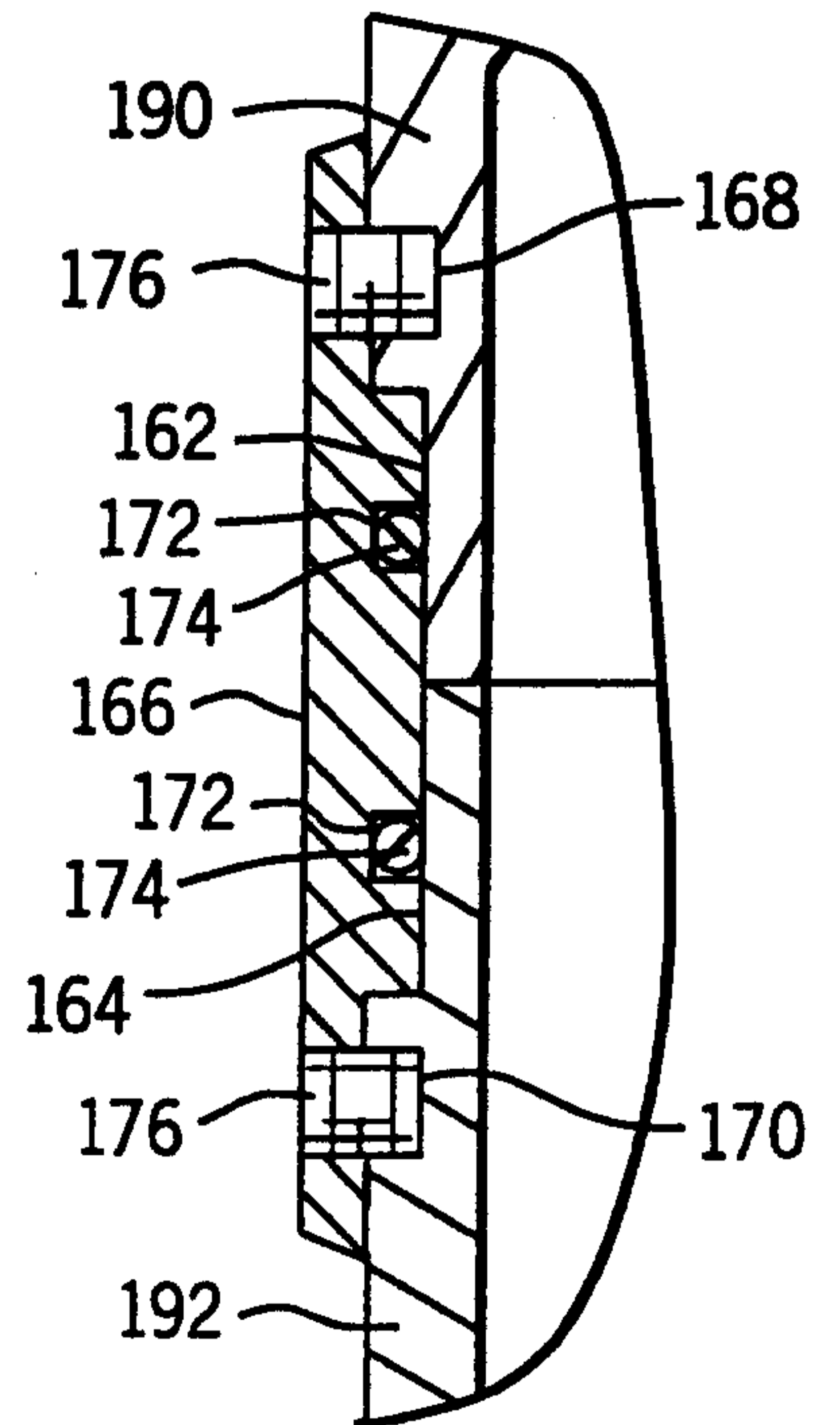


FIG. 13

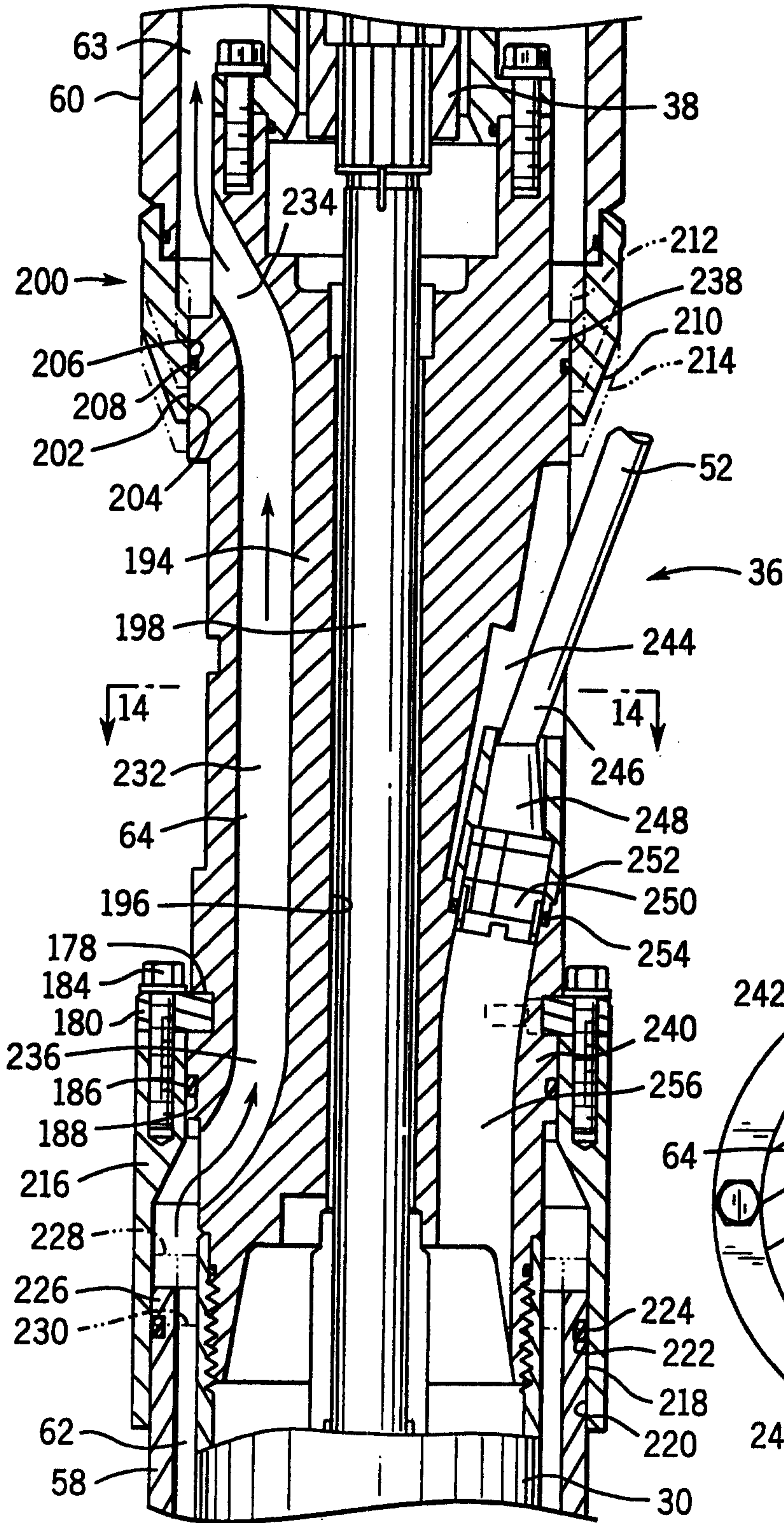


FIG. 14

