



US00D412999S

# United States Patent [19]

[11] Patent Number: **Des. 412,999**

Herst et al.

[45] Date of Patent: **\*\* Aug. 17, 1999**

[54] LIGHTING FIXTURE

Peerless computer rendition of prior art luminaire design  
Prior to Filing Date.

[75] Inventors: **Douglas J. Herst, Ross; Utkan Salman**, Oakland, both of Calif.

*Primary Examiner*—Susan J. Lucas  
*Attorney, Agent, or Firm*—Donald L. Beeson

[73] Assignee: **Peerless Lighting Corporation**, Berkeley, Calif.

### [57] CLAIM

[\*\*] Term: **14 Years**

The ornamental design for a lighting fixture, as shown and described.

[21] Appl. No.: **29/082,141**

[22] Filed: **Jan. 15, 1998**

### DESCRIPTION

[51] **LOC (6) Cl.** ..... **26-05**

FIG. 1 is a bottom perspective view of a lighting fixture in accordance with our new design;

[52] **U.S. Cl.** ..... **D26/76**

FIG. 2 is a bottom plan view thereof;

[58] **Field of Search** ..... D26/72, 75, 76, D26/77, 78, 81, 87; 362/147, 404, 406, 217, 222, 223, 224, 225, 249, 252, 245, 246, 297

FIG. 3 is a front elevational view thereof, the rear and side elevations being identical thereto;

### [56] References Cited

FIG. 4 is a bottom perspective view of another embodiment of a lighting fixture in accordance with our new design;

#### U.S. PATENT DOCUMENTS

D. 311,967	11/1990	Herst et al.	.....	D26/85
D. 349,358	8/1994	Herst et al.	.....	D26/76 X
D. 363,805	10/1995	Cole, Jr.	.....	D26/76
D. 397,479	8/1998	Compton et al.	.....	D26/76

FIG. 5 is a bottom plan view thereof; and,

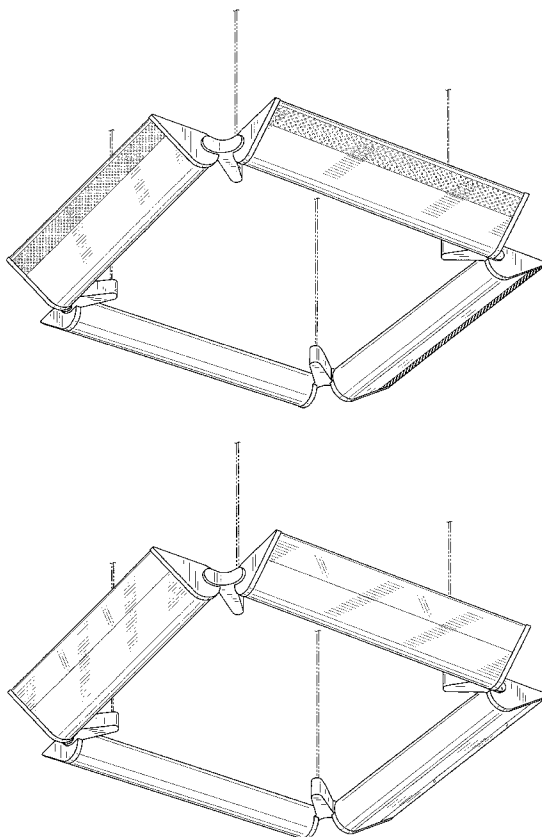
#### OTHER PUBLICATIONS

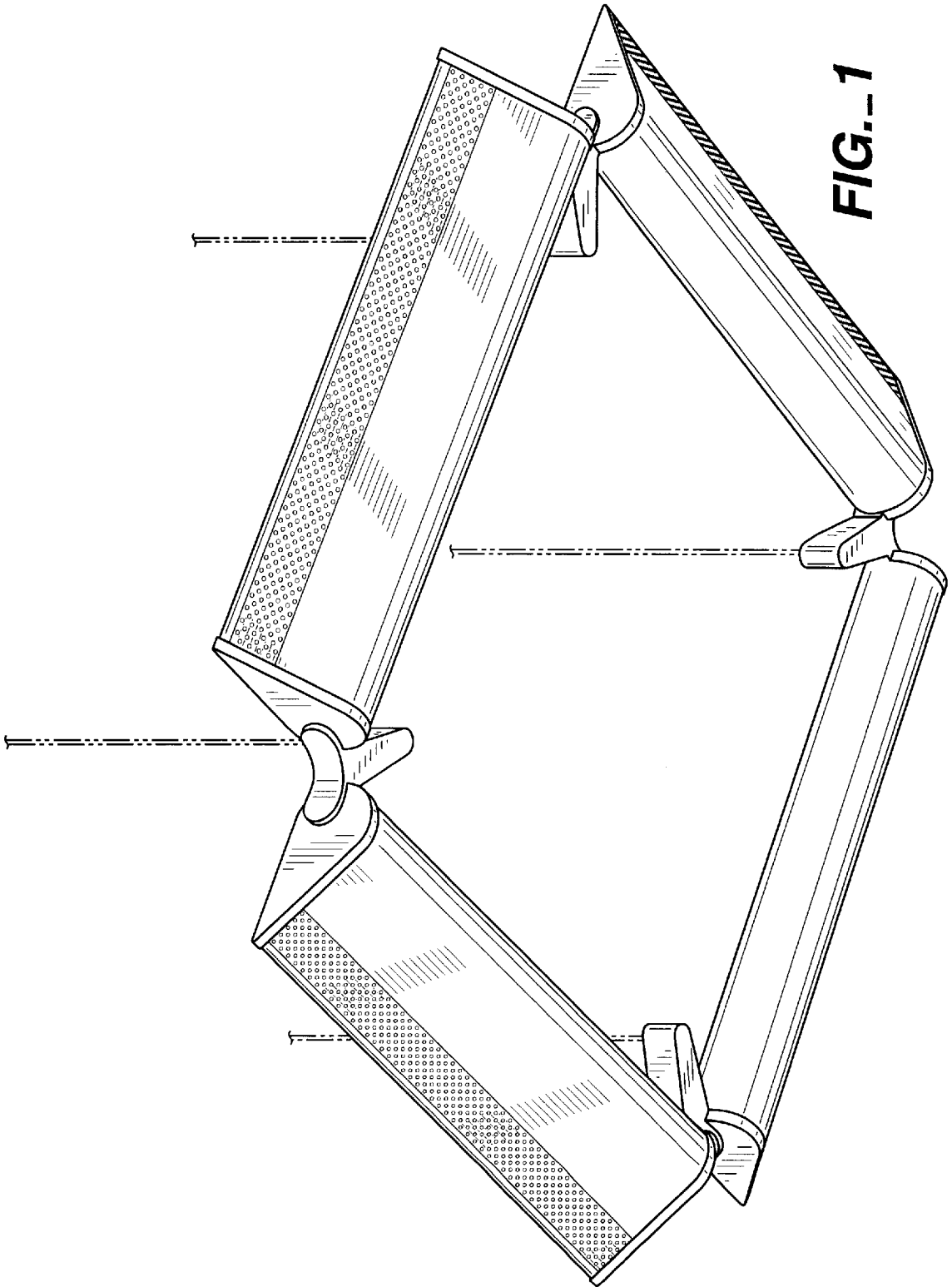
Peerless Catalog, 9 × 3 Rounded Lightscreen Indirect, 1996, (1 page).  
Peerless Catalog, 6 × 3 Wall Wash, 1996 (2 pages).

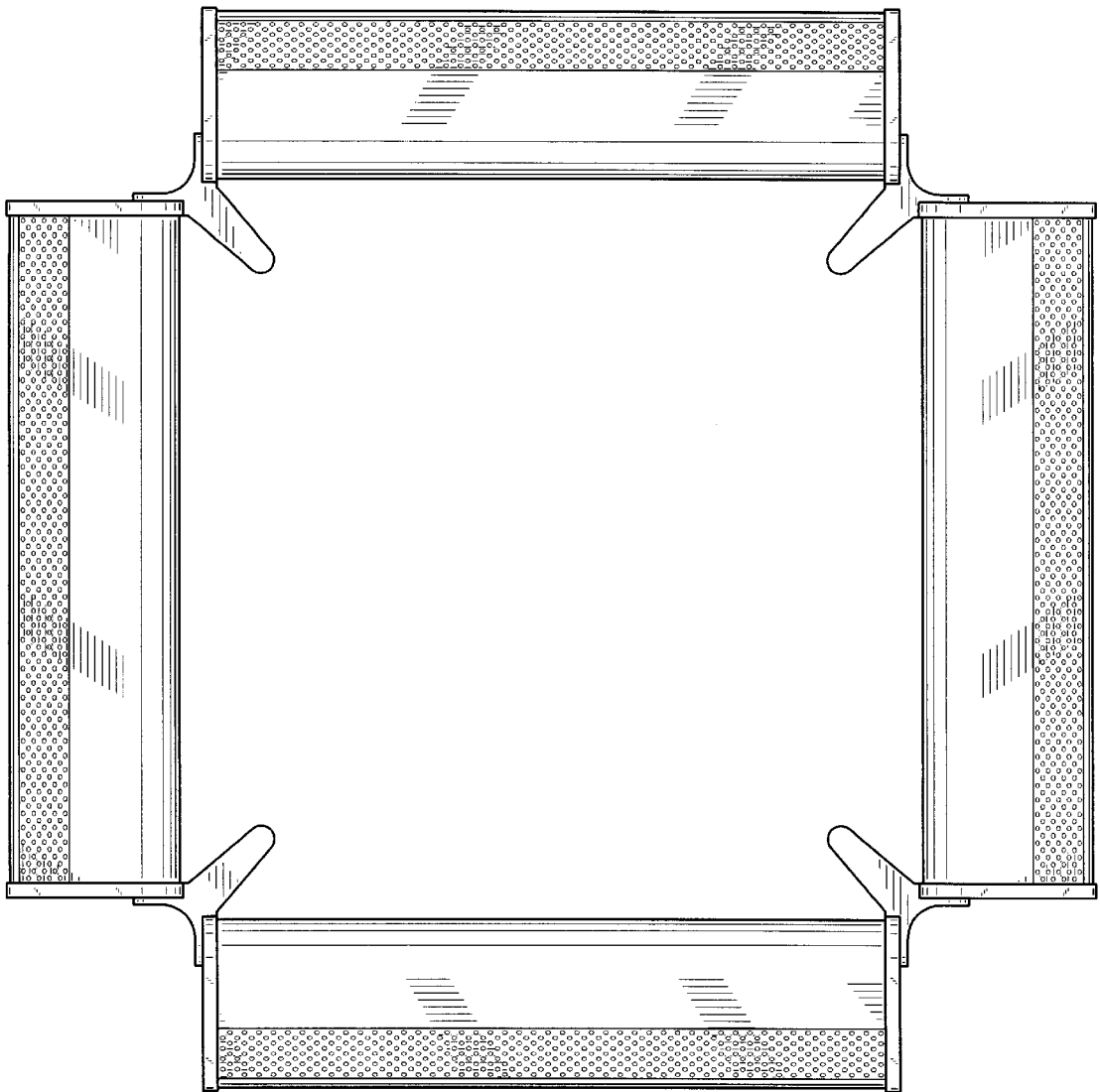
FIG. 6 is a front elevational view thereof, the rear and side elevations being identical thereto.

The broken lines are shown in FIGS. 1 and 4 for illustrative purposes only and indicate the nature and use our new design.

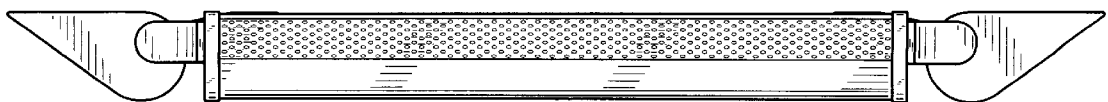
**1 Claim, 4 Drawing Sheets**



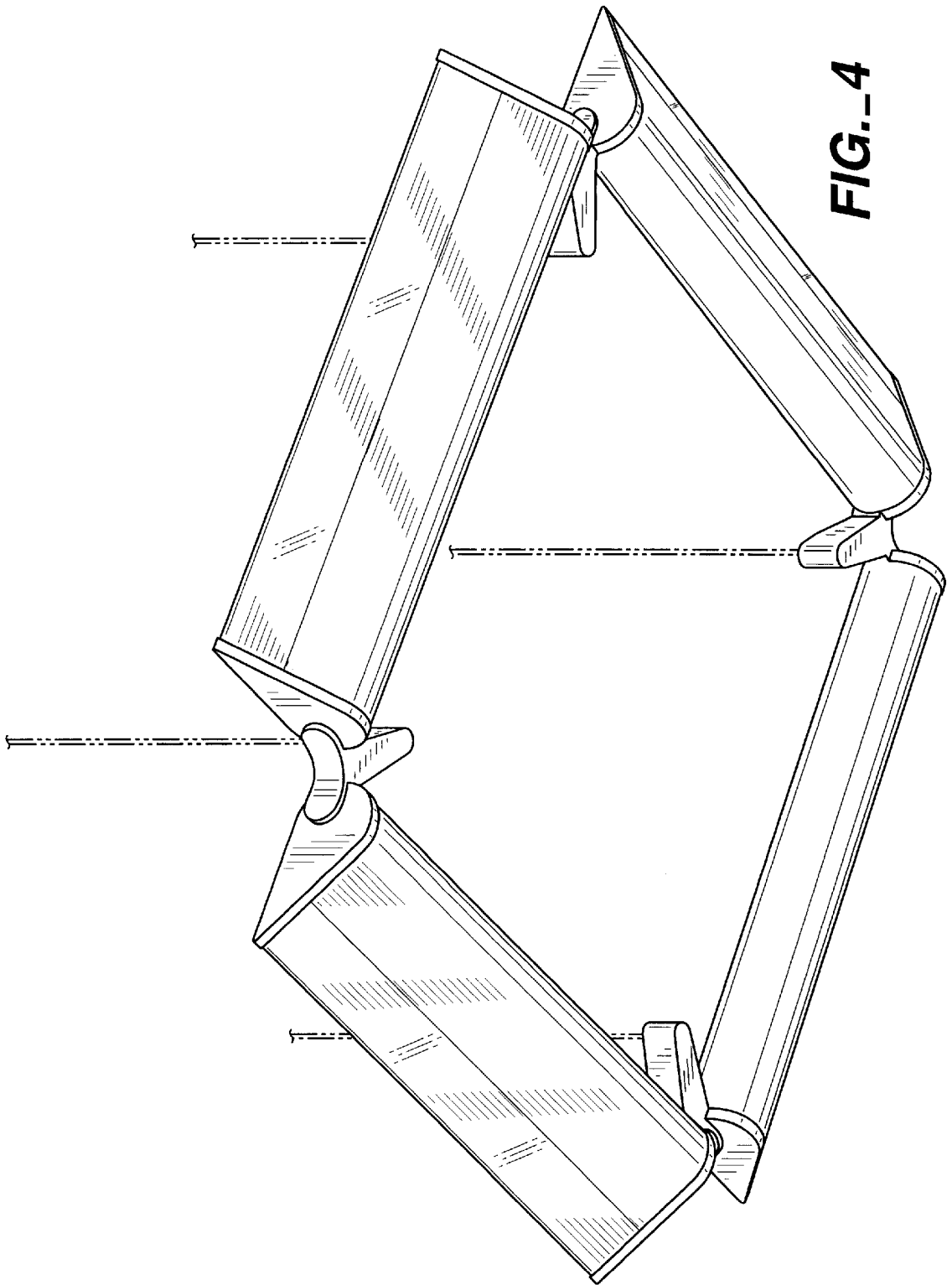




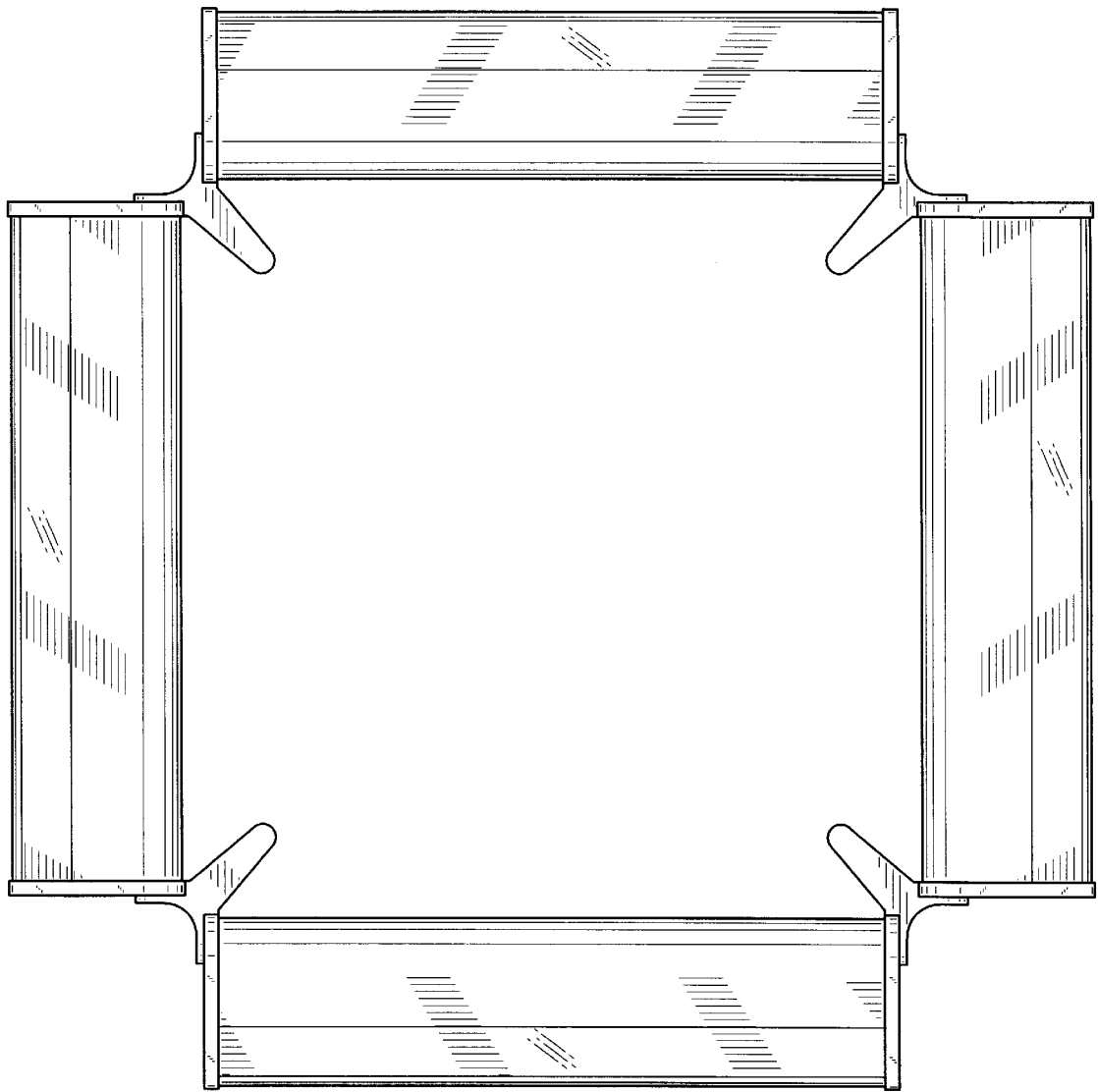
**FIG.\_2**



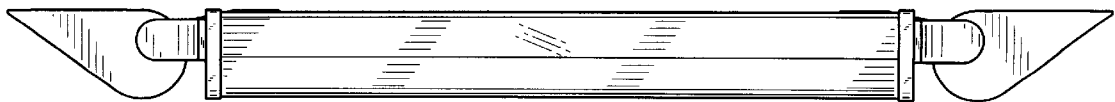
**FIG.\_3**



**FIG. 4**



**FIG.\_5**



**FIG.\_6**