



US00D996887S

(12) **United States Design Patent**  
**Ryu et al.**

(10) **Patent No.:** **US D996,887 S**

(45) **Date of Patent:** **\*\* Aug. 29, 2023**

- (54) **MICRO-WAVE OVEN**
- (71) Applicant: **LG ELECTRONICS INC.**, Seoul (KR)
- (72) Inventors: **Inhwan Ryu**, Seoul (KR); **Hongsik Kwon**, Seoul (KR); **Miyoung Kim**, Seoul (KR); **Suhyeon Son**, Seoul (KR)
- (73) Assignee: **LG ELECTRONICS INC.**, Seoul (KR)
- (\*\*) Term: **15 Years**
- (21) Appl. No.: **29/820,064**
- (22) Filed: **Dec. 20, 2021**

D671,790 S *	12/2012	Busalt .....	D7/349
D745,310 S *	12/2015	Funnell, II .....	D7/349
D745,311 S *	12/2015	Funnell, II .....	D7/349
D748,424 S *	2/2016	Funnell, II .....	D7/348
D817,705 S *	5/2018	Kim .....	F24C 15/12
			D7/405
D821,799 S *	7/2018	Kim .....	D7/340
D829,484 S *	10/2018	Kim .....	D7/348
D880,218 S *	4/2020	Kim .....	D7/349

(Continued)

**OTHER PUBLICATIONS**

ZLINE Professional Single Wall Oven. Date First Available on Amazon.com Dec. 28, 2020. <https://www.amazon.com/dp/B08RGBZSHV/ref> (Year: 2020).\*

*Primary Examiner* — Ricky Pham

(74) *Attorney, Agent, or Firm* — Birch, Stewart, Kolasch & Birch, LLP

(30) **Foreign Application Priority Data**

Jul. 2, 2021 (KR) ..... 30-2021-0031627

(51) **LOC (14) Cl.** ..... **07-02**

(52) **U.S. Cl.**  
USPC ..... **D7/349; D7/348**

(58) **Field of Classification Search**  
USPC ..... D7/323, 328–330, 339–349, 390,  
D7/402–409; D8/300–306

CPC ... A21B 2/00; A47J 37/00; A47J 37/06; A47J 37/0611; A47J 37/08; A47J 37/0807; A47J 37/0814; A47J 37/0835; A47J 37/0842; A47J 37/085; A47J 37/0864; A47J 37/0878; A47J 37/0885; A47J 37/0892; F24C 7/00; F24C 7/002; F24C 7/046; F24C 7/067; F24C 3/085; F24C 15/02; F24C 15/04; F24C 15/10; F24C 15/30; F24C 15/102; F24C 15/108

See application file for complete search history.

(57) **CLAIM**

We claim the ornamental design for a micro-wave oven, as shown and described.

**DESCRIPTION**

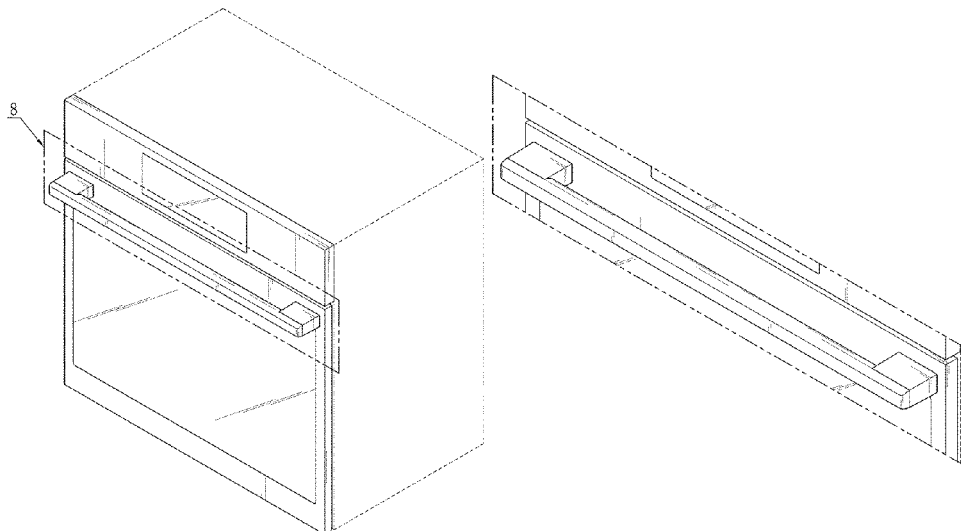
FIG. 1 is a perspective view of a micro-wave oven showing a new design;  
FIG. 2 is a front elevation view thereof;  
FIG. 3 is a rear elevation view thereof;  
FIG. 4 is a left-side elevation view thereof;  
FIG. 5 is a right-side elevation view thereof;  
FIG. 6 is a top plan view thereof;  
FIG. 7 is a bottom plan view thereof; and,  
FIG. 8 is an enlarged view of the portion 8 in FIG. 1.  
The dot-dot-dash lines encircling portions of the claimed design in FIGS. 1 and 8 are illustrated in an enlargement view and form no part of the claimed design. The broken lines shown in the drawings illustrate portions of the micro-wave oven that form no part of the claimed design.

**1 Claim, 8 Drawing Sheets**

(56) **References Cited**

**U.S. PATENT DOCUMENTS**

D626,782 S *	11/2010	Busalt .....	D7/349
D668,106 S *	10/2012	Borjesson .....	D7/405



(56)

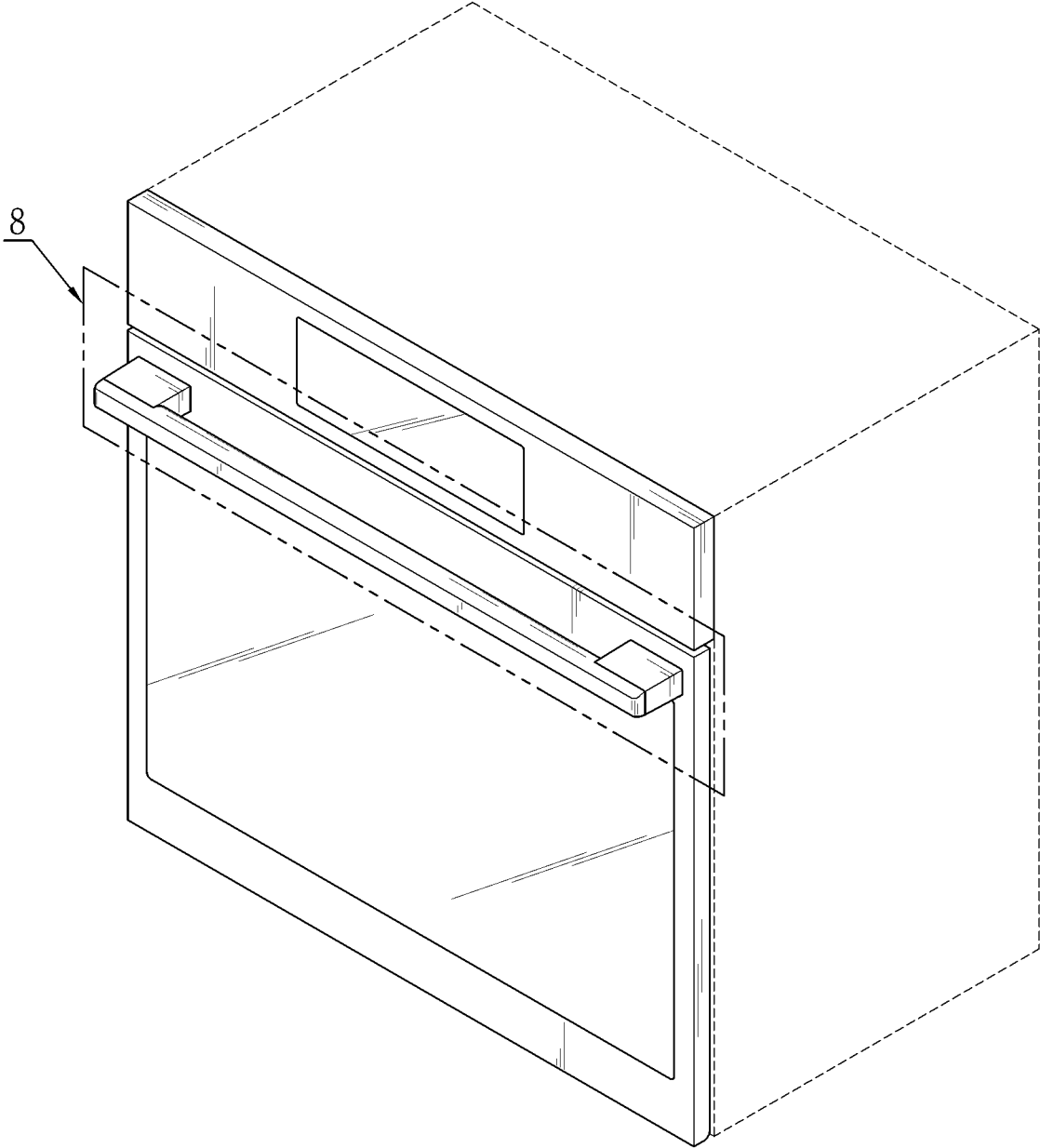
**References Cited**

U.S. PATENT DOCUMENTS

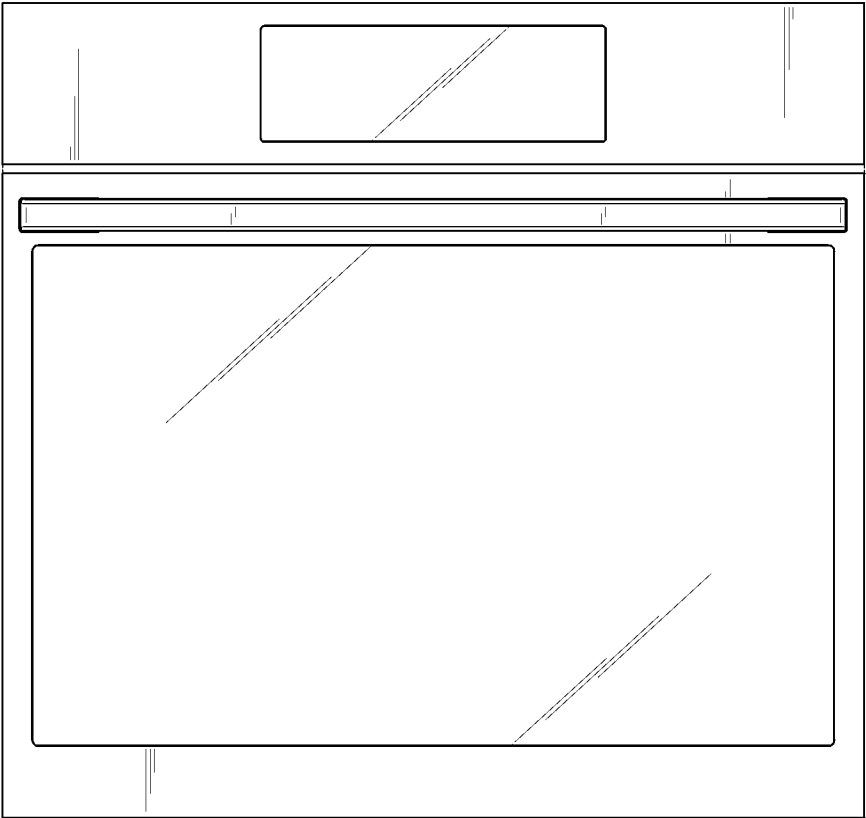
D904,820	S	*	12/2020	Kim	.....	D7/349
D914,443	S	*	3/2021	Spurrier	.....	D7/405
D919,350	S	*	5/2021	Kim	.....	D7/349

\* cited by examiner

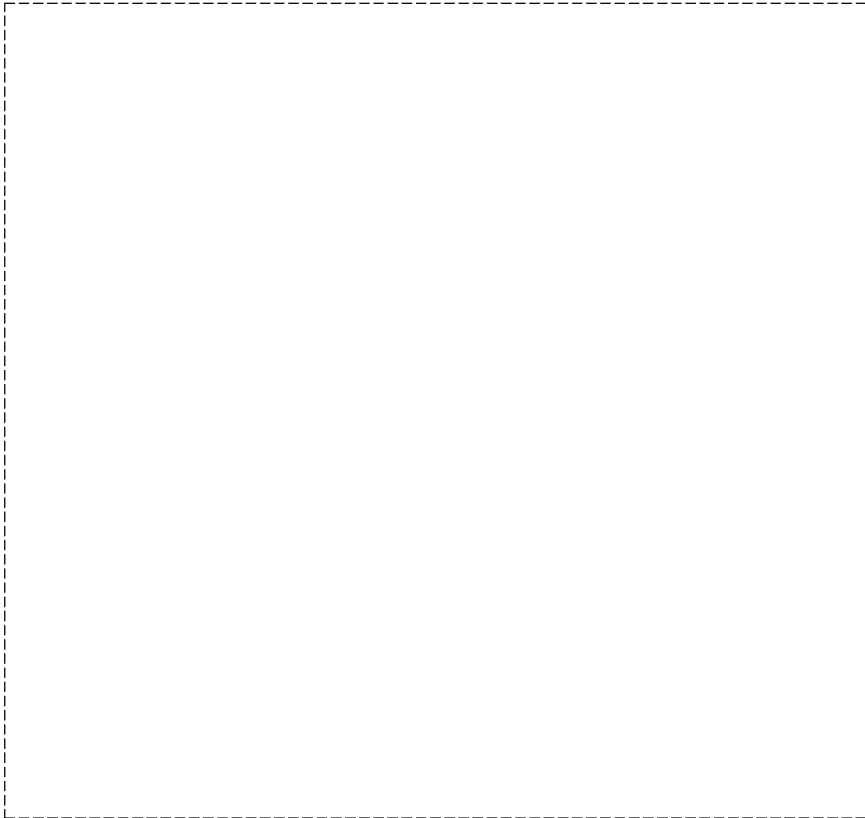
FIG. 1



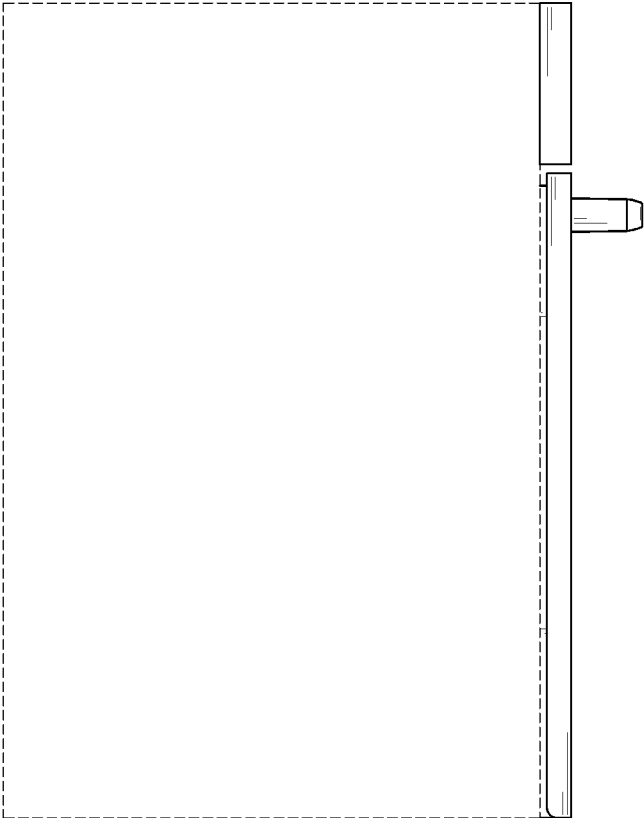
*FIG. 2*



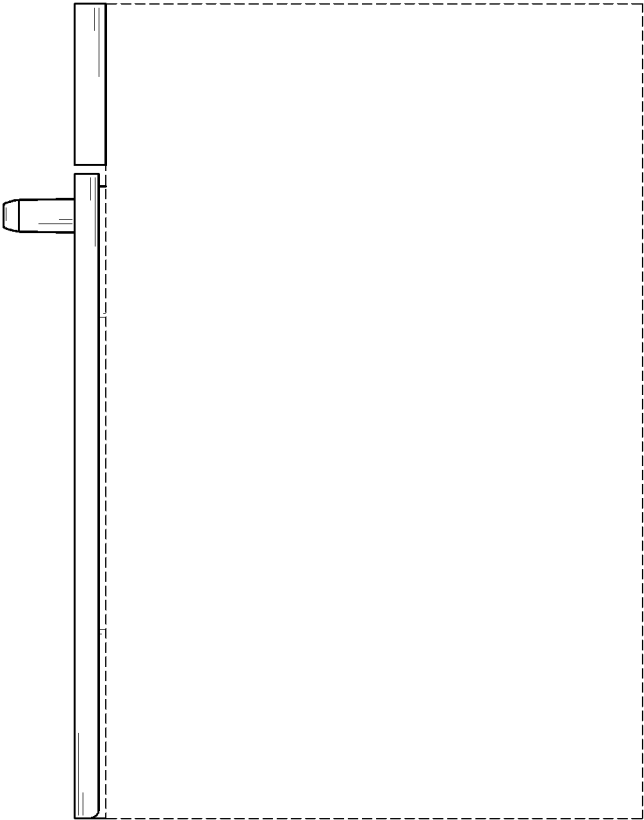
*FIG. 3*



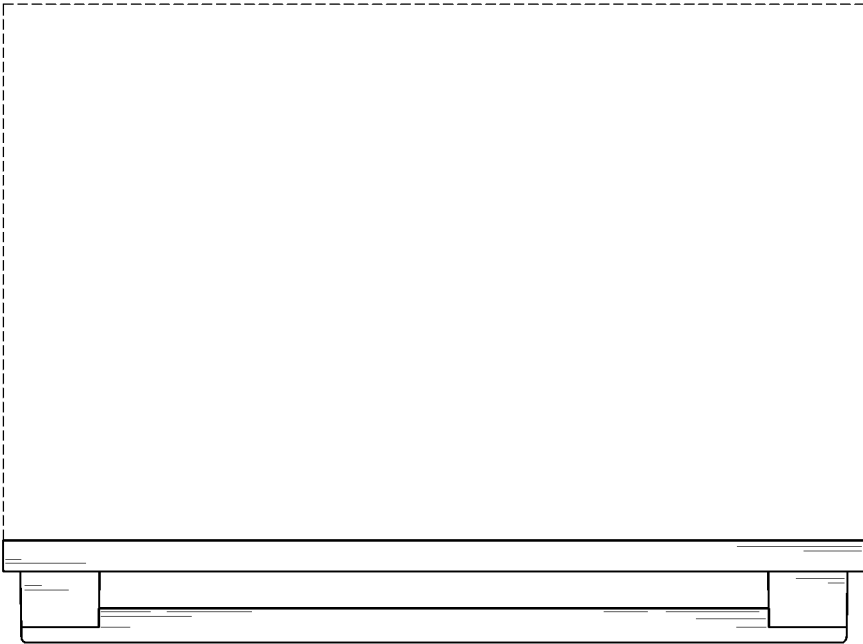
*FIG. 4*



*FIG. 5*



*FIG. 6*





*FIG. 7*

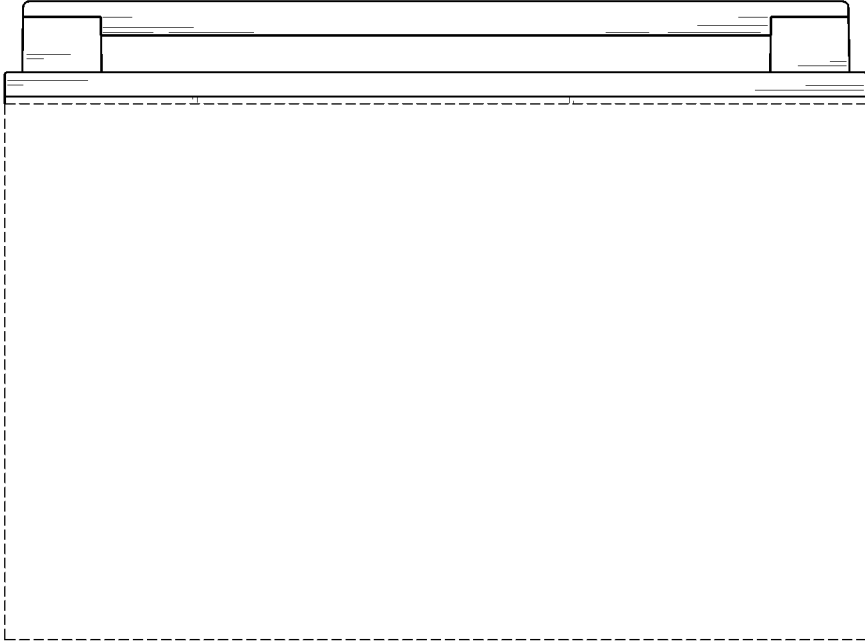


FIG. 8

