



(12) **United States Design Patent**
Luo

(10) **Patent No.:** **US D599,491 S**
(45) **Date of Patent:** **** Sep. 1, 2009**

(54) **LED LAMP**

(75) Inventor: **Hong Luo**, Andover, MA (US)
(73) Assignee: **Osram Sylvania Inc.**, Danvers, MA (US)

(**) Term: **14 Years**
(21) Appl. No.: **29/332,525**
(22) Filed: **Feb. 18, 2009**

(51) **LOC (9) Cl.** **26-04**
(52) **U.S. Cl.** **D26/4**
(58) **Field of Classification Search** D26/1-4;
313/313, 315, 316, 317, 318; 315/52, 53,
315/56, 57, 58
See application file for complete search history.

(56) **References Cited**

U.S. PATENT DOCUMENTS

D576,317 S * 9/2008 Jensen D26/5
D589,176 S * 3/2009 Huang et al. D26/4

* cited by examiner

Primary Examiner—Marcus A Jackson
(74) *Attorney, Agent, or Firm*—Robert F. Clark

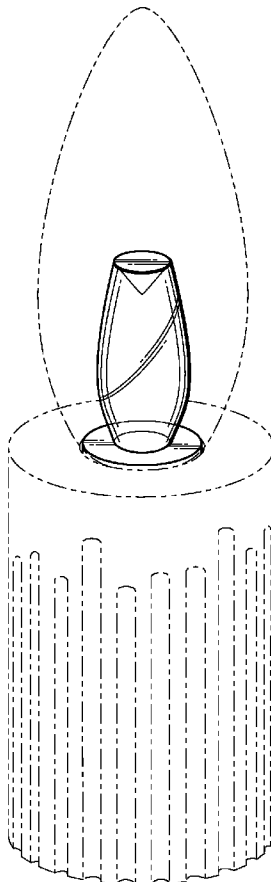
(57) **CLAIM**

The ornamental design for an LED lamp, as shown and described.

DESCRIPTION

FIG. 1 is a perspective view of a first embodiment of the ornamental design for an LED lamp.
FIG. 2 is a front view of said first embodiment.
FIG. 3 is a side view of said first embodiment.
FIG. 4 is a top view of said first embodiment.
FIG. 5 is a bottom view of said first embodiment, wherein no part of the design is visible.
FIG. 6 is a perspective view of a second embodiment of the ornamental design for an LED lamp.
FIG. 7 is a front view of said second embodiment.
FIG. 8 is a side view of said second embodiment.
FIG. 9 is a top view of said second embodiment; and,
FIG. 10 is a bottom view of said second embodiment, wherein no part of the design is visible.
The broken lines showing in the Figures are environmental and form no part of the claimed design.

1 Claim, 8 Drawing Sheets



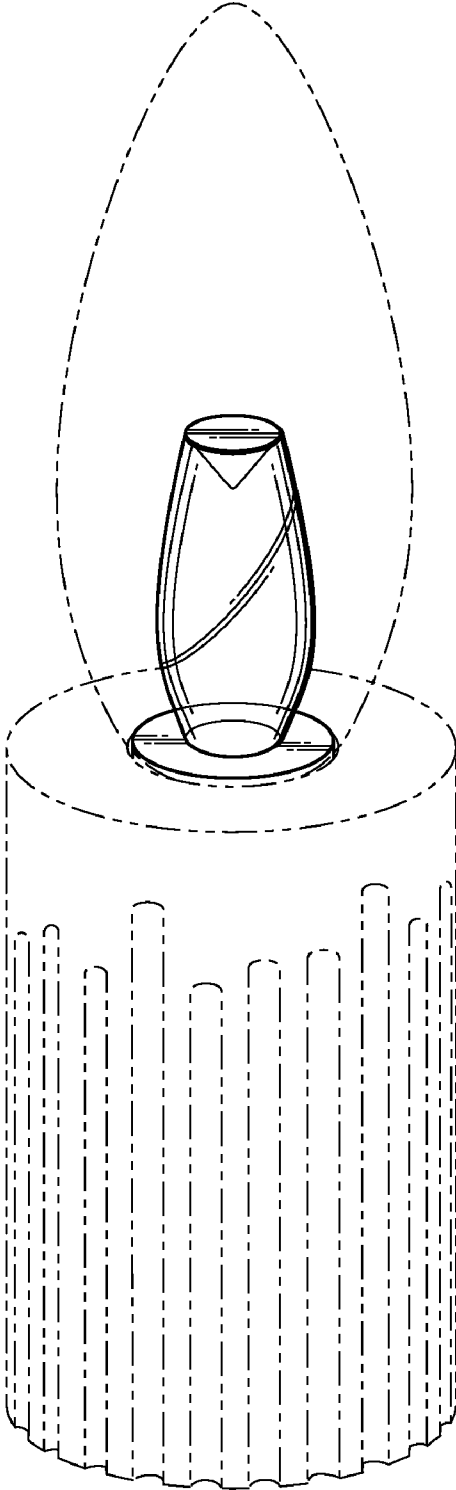


FIG. 1

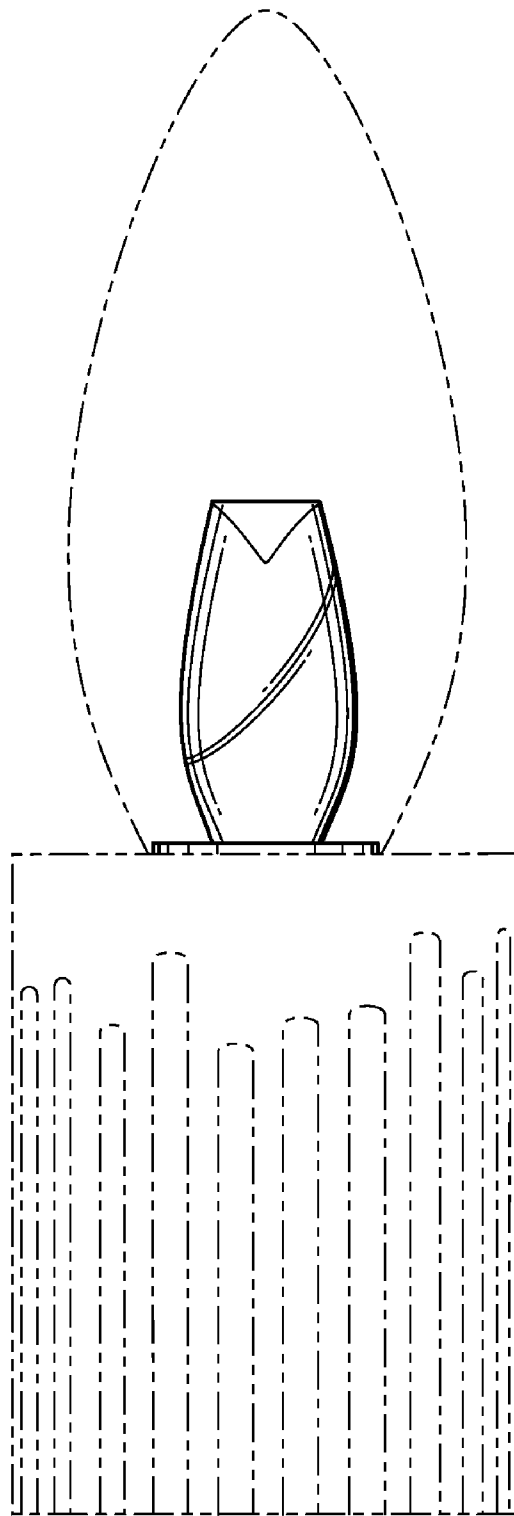


FIG. 2

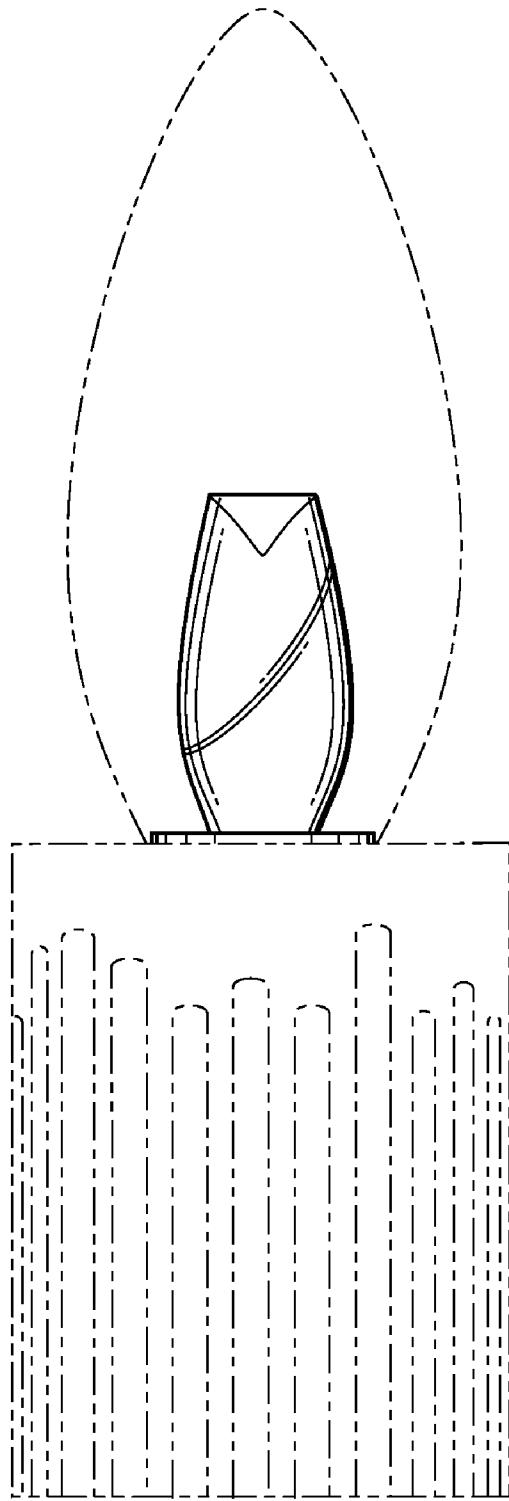


FIG. 3

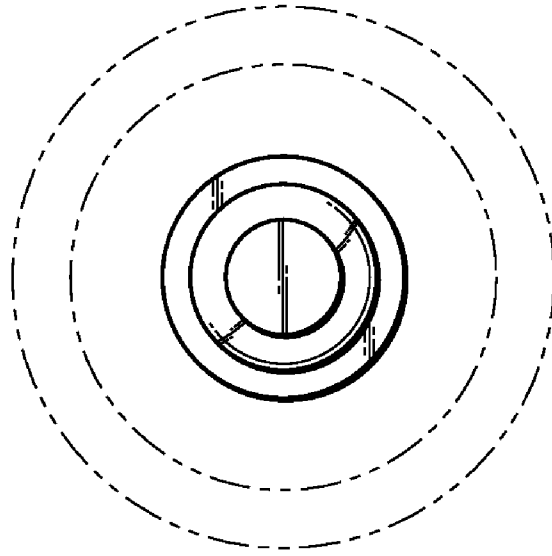


FIG. 4

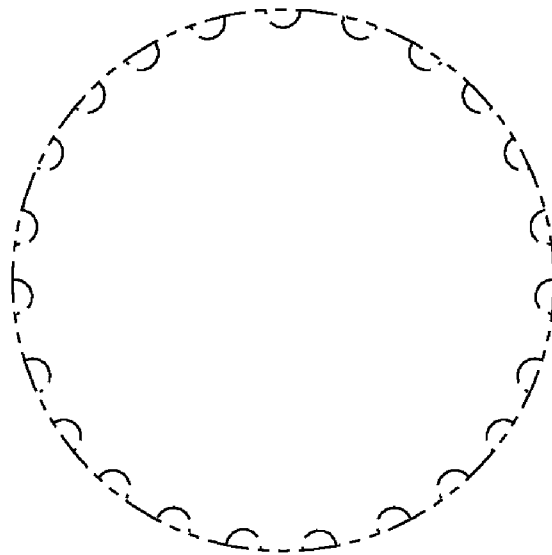


FIG. 5

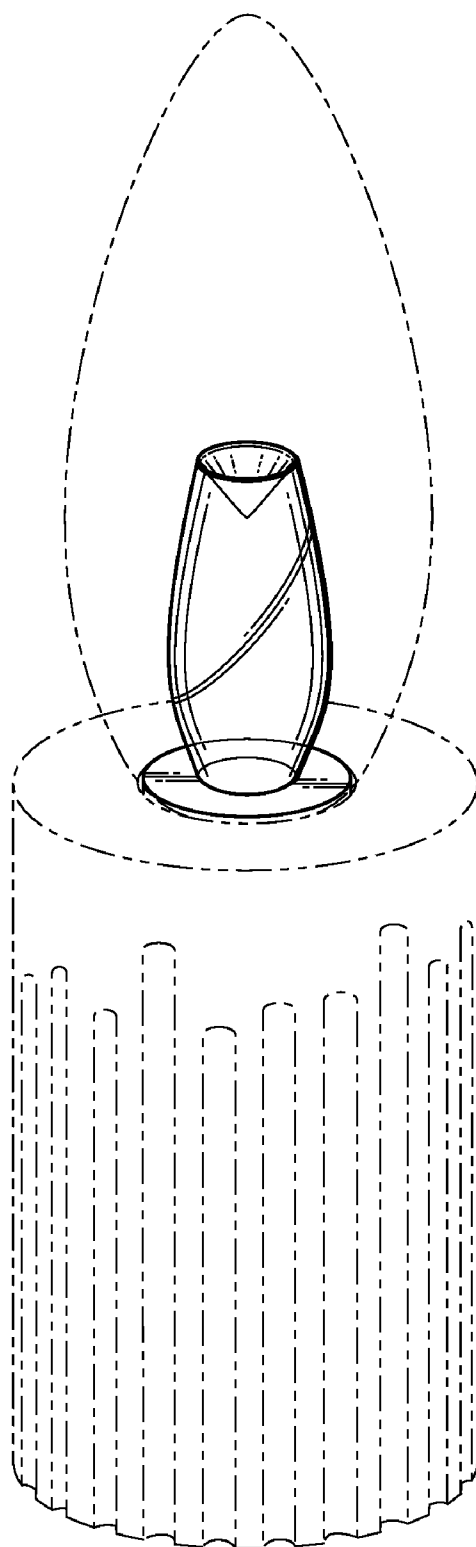


FIG. 6

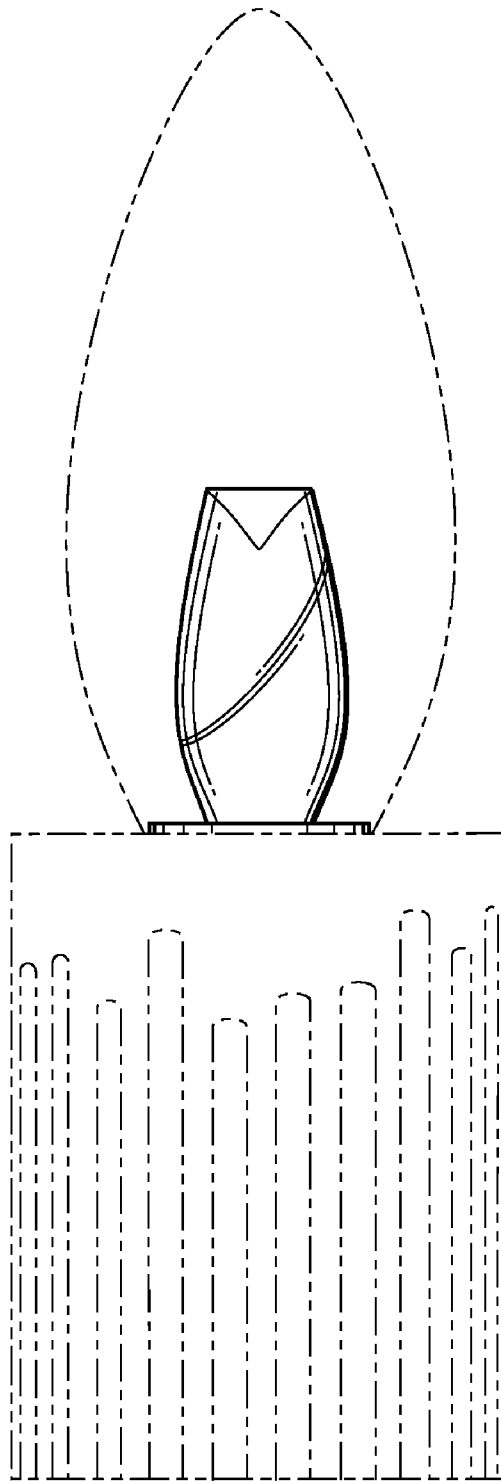


FIG. 7

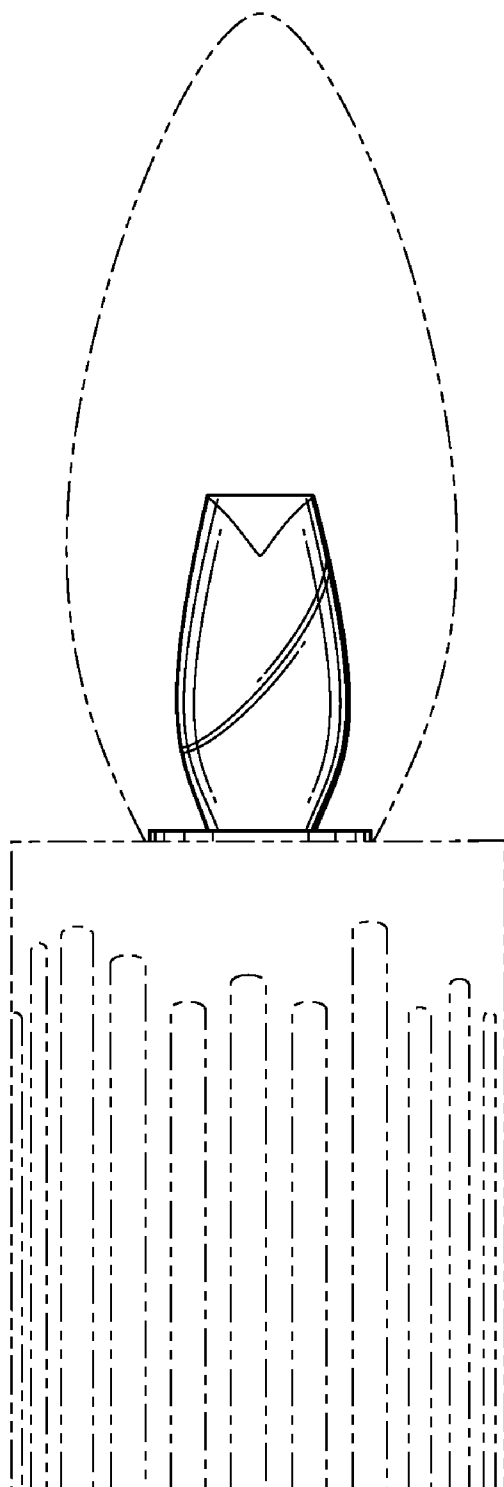


FIG. 8

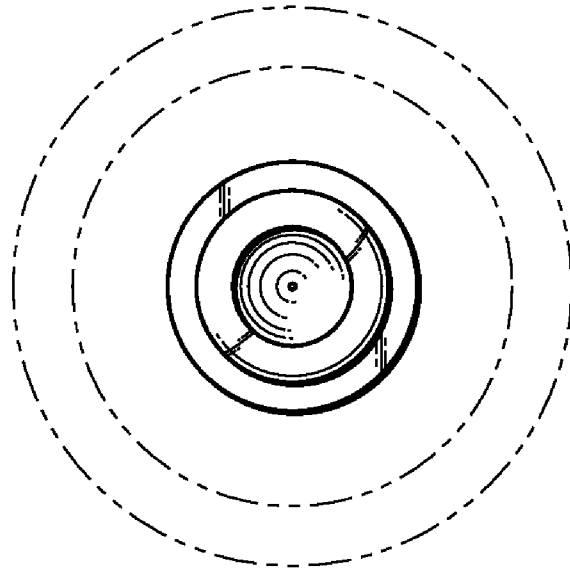


FIG. 9

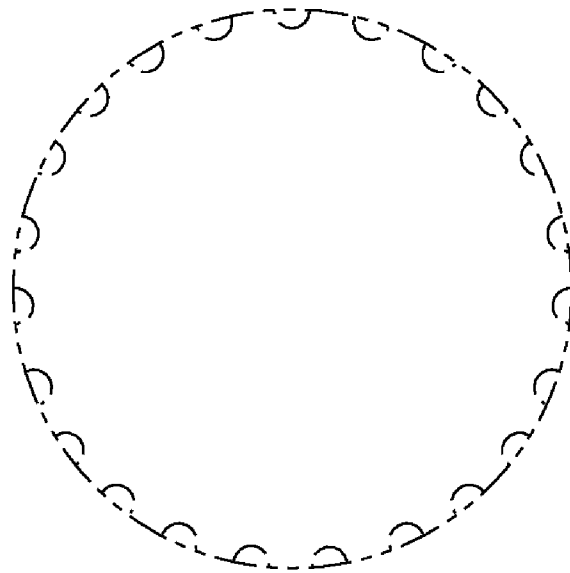


FIG. 10