



US00D766333S

(12) **United States Design Patent**
Anderson et al.

(10) **Patent No.:** **US D766,333 S**

(45) **Date of Patent:** **** Sep. 13, 2016**

(54) **AGRICULTURAL PLANTER**
(71) Applicant: **CNH Industrial America LLC**, New Holland, PA (US)
(72) Inventors: **Brian J. Anderson**, Yorkville, IL (US); **Larry B. Griffey**, Elgin, IL (US); **Travis L. Harnetiaux**, Bourbonnais, IL (US); **Marvin A. Prickel**, Homer Glen, IL (US); **Michael J. Connors**, Lockport, IL (US)

(73) Assignee: **CNH Industrial America LLC**, New Holland, PA (US)

(**) Term: **15 Years**

(21) Appl. No.: **29/531,827**

(22) Filed: **Jun. 30, 2015**

(51) **LOC (10) Cl.** **15-03**

(52) **U.S. Cl.**
USPC **D15/28; D15/27**

(58) **Field of Classification Search**
USPC D15/10, 12, 27, 28; 56/15.8, 15.9; 172/311, 210, 466, 484, 456, 481, 605, 172/626, 776, 507; 280/411.1, 412, 413, 280/415 A, 415 R, 482, 656
CPC .. A01B 73/065; A01B 73/005; A01B 73/00; A01B 73/02; A01B 73/04; A01B 73/06; A01B 49/06; A01B 49/00; A01B 61/044; A01B 61/048; A01B 5/04; A01B 49/027; A01C 7/208; A01C 7/18; A01C 7/00; A01C 7/20; A01C 7/06; A01C 5/064; A01C 5/068; A01C 7/203; A01C 7/205; A01C 7/206; Y10S 111/921; Y10S 111/923; Y10S 111/924; Y10S 111/925

See application file for complete search history.

(56) **References Cited**

U.S. PATENT DOCUMENTS

6,076,613 A * 6/2000 Frasier A01B 73/065
111/57

6,213,034 B1 * 4/2001 Raducha A01B 73/005
111/55
D469,782 S * 2/2003 Paluch D15/10
6,666,155 B2 * 12/2003 Paluch A01C 7/208
111/54
6,935,254 B2 * 8/2005 Ostrander A01B 73/065
111/174
D559,868 S * 1/2008 Nanlawala D15/10
D627,373 S * 11/2010 Prickel D15/10
D629,426 S * 12/2010 Prickel D15/10
D629,427 S * 12/2010 Prickel D15/10
D631,068 S * 1/2011 Prickel D15/10
7,921,932 B2 * 4/2011 Poole A01C 7/208
172/311
8,141,652 B2 * 3/2012 Poole A01B 73/065
172/311
2003/0164126 A1 * 9/2003 Paluch A01C 7/208
111/57
2003/0164127 A1 * 9/2003 Paluch A01B 61/044
111/200
2009/0178600 A1 * 7/2009 Horn A01C 15/006
111/52

(Continued)

Primary Examiner — Mark Goodwin

(74) *Attorney, Agent, or Firm* — Rebecca L. Henkel

(57) **CLAIM**

The ornamental design for the agricultural planter, as shown and described.

DESCRIPTION

FIG. 1 is a perspective view of the agricultural planter showing our new design, the portion in phantom lines in the figures forming no part of the claimed invention;

FIG. 2 is a top view thereof;

FIG. 3 is a bottom view thereof;

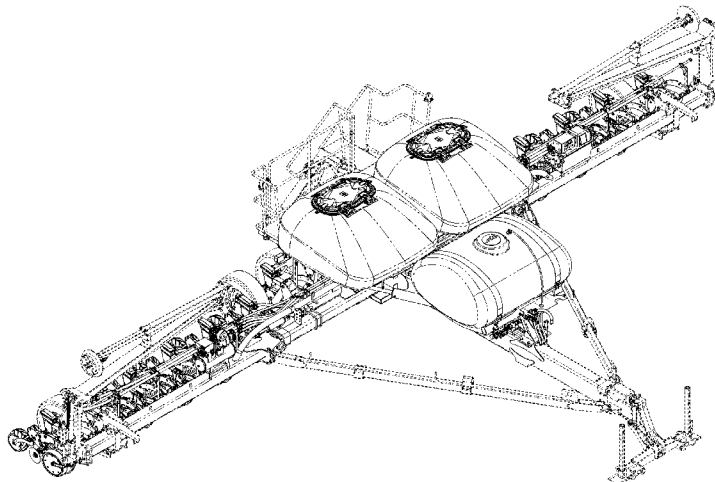
FIG. 4 is front view thereof;

FIG. 5 is a rear view thereof;

FIG. 6 is a side view thereof; and,

FIG. 7 is an opposite side view thereof.

1 Claim, 6 Drawing Sheets



US D766,333 S

Page 2

(56)

References Cited

U.S. PATENT DOCUMENTS

2009/0199750 A1*	8/2009	Rice	A01C 19/04	2010/0126742 A1*	5/2010	Poole	A01B 73/065
				111/52					172/311
2009/0229501 A1*	9/2009	Jaime	A01B 73/065	2010/0126743 A1*	5/2010	Poole	A01C 7/208
				111/55					172/311
					2010/0126744 A1*	5/2010	Poole	A01C 7/208
									172/311

* cited by examiner

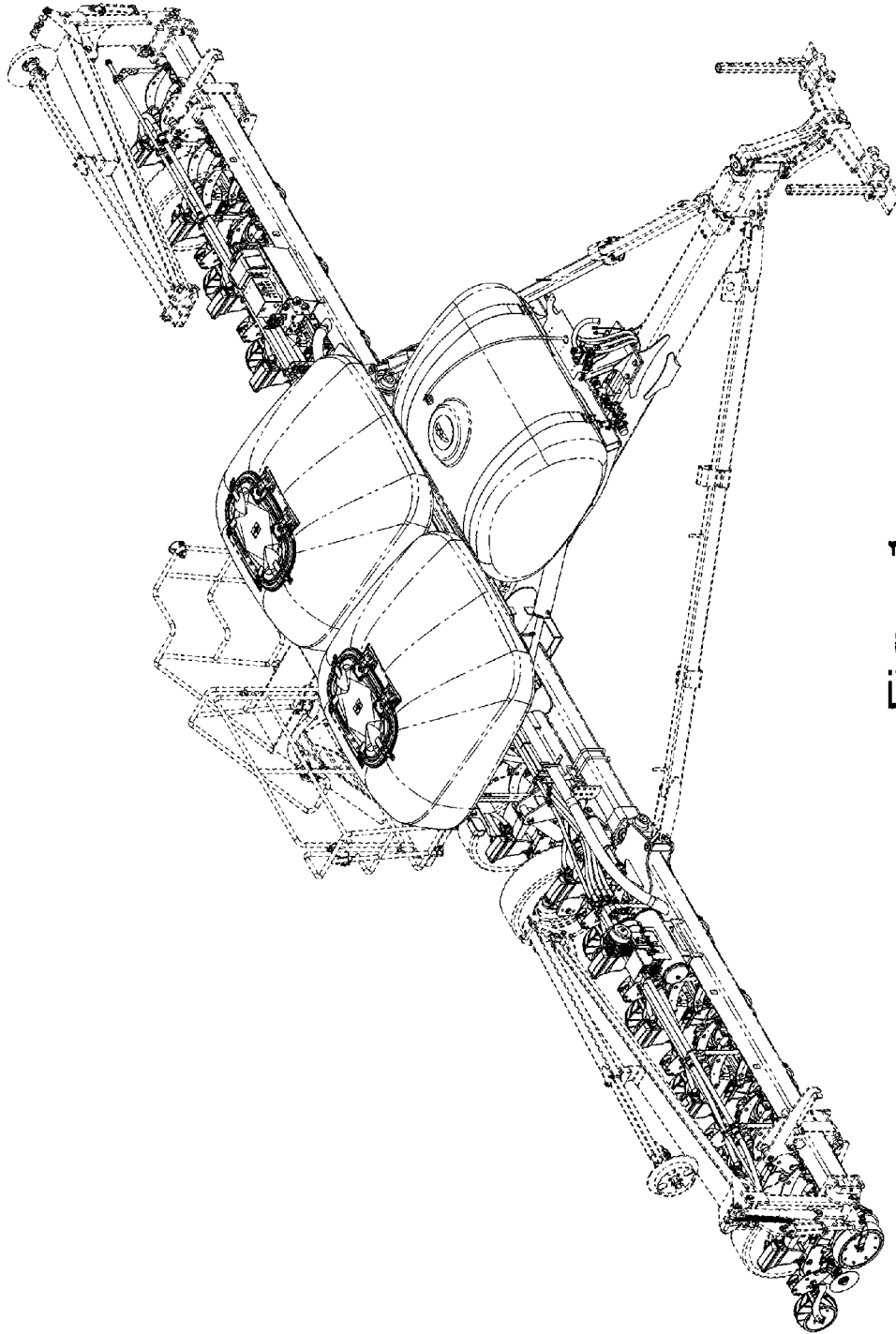


Fig. 1

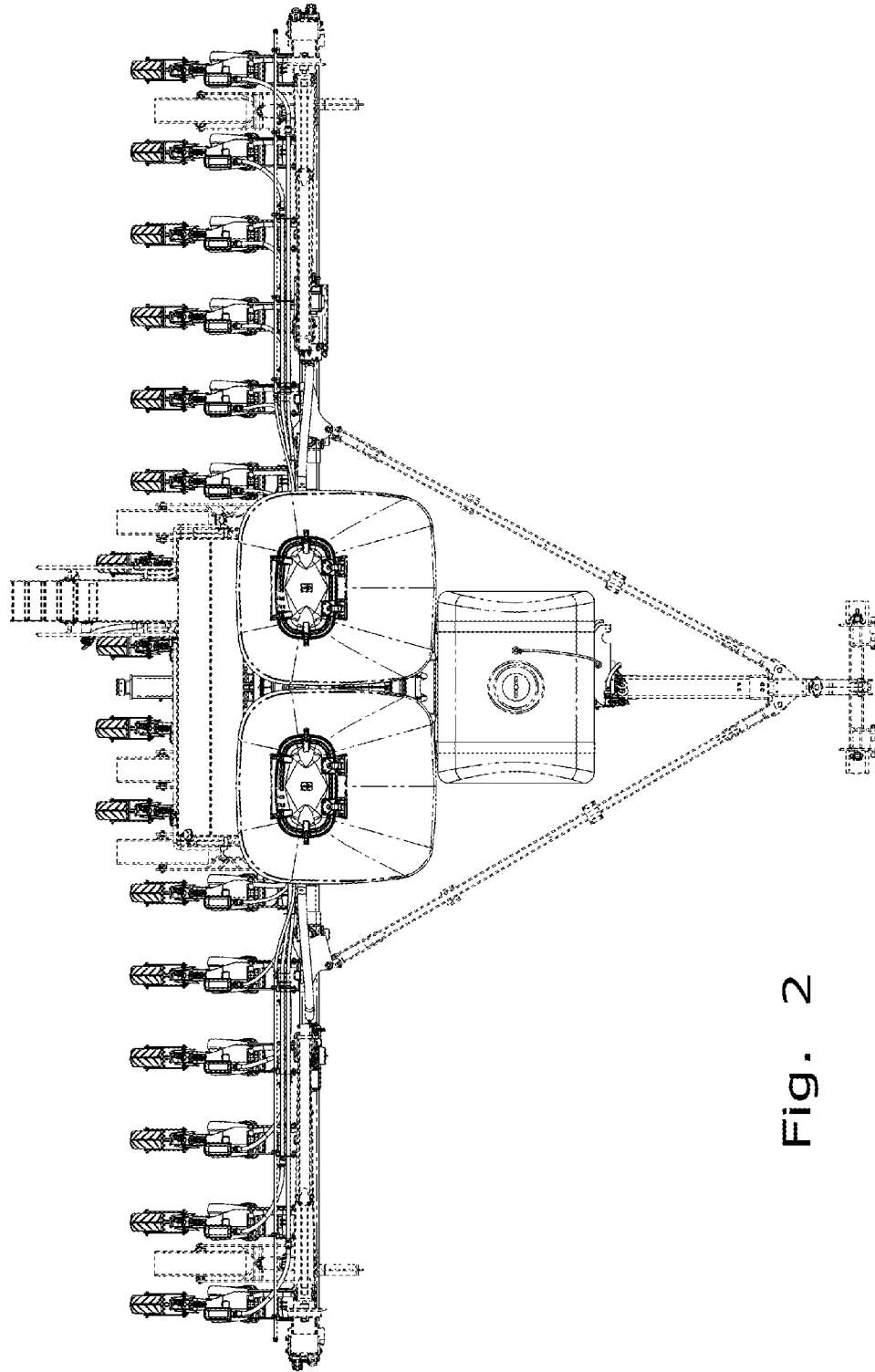


Fig. 2

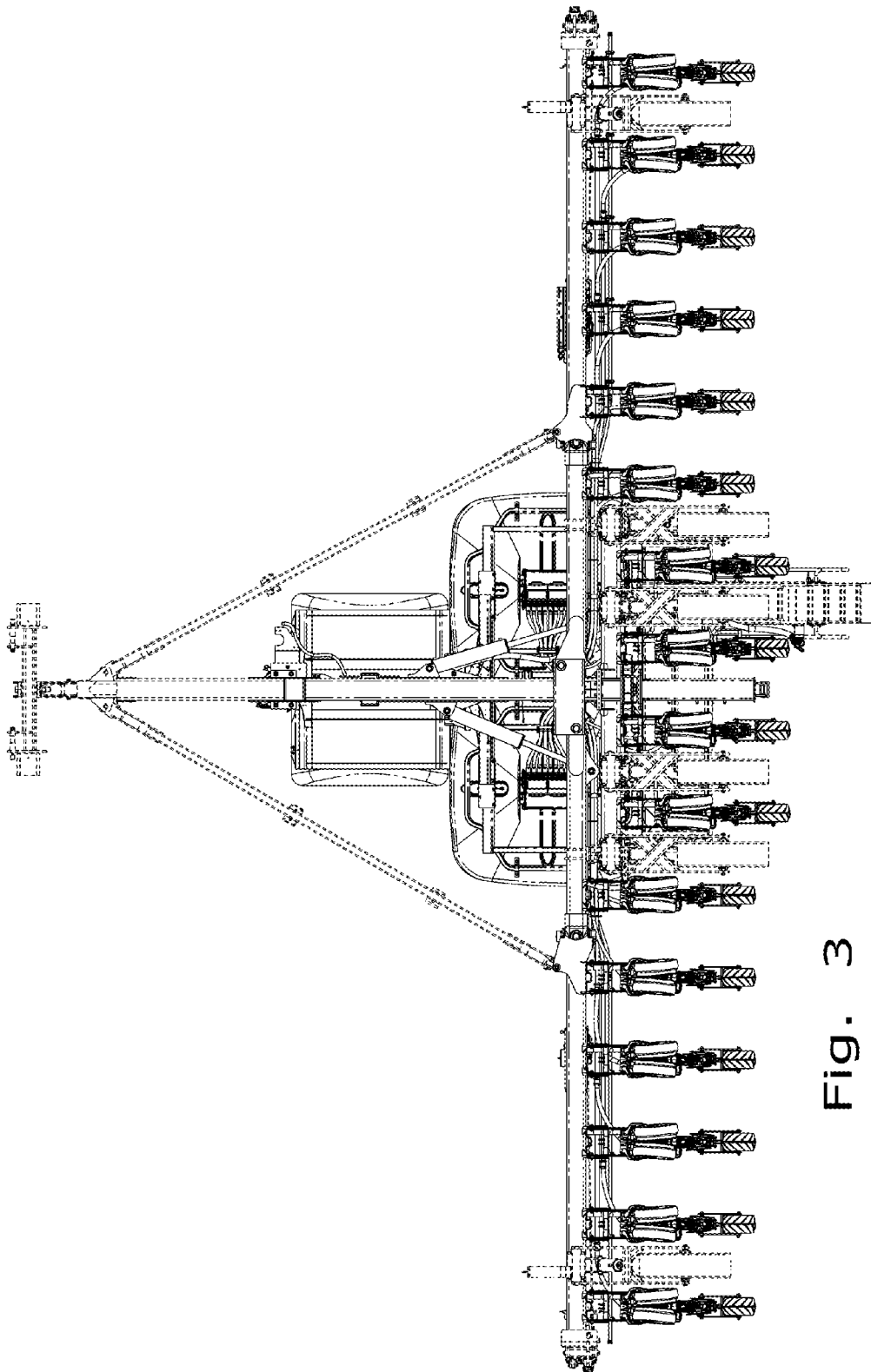


Fig. 3

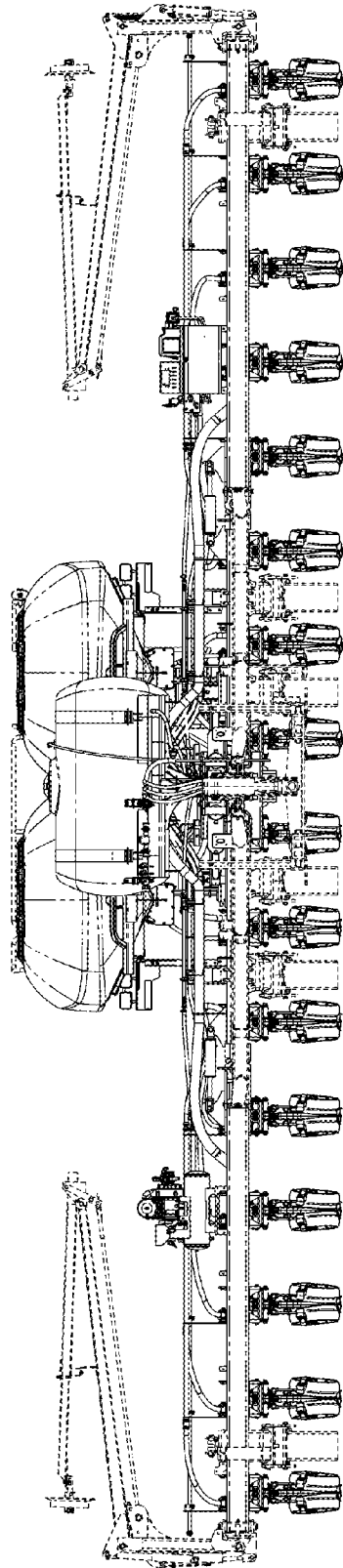


Fig. 4

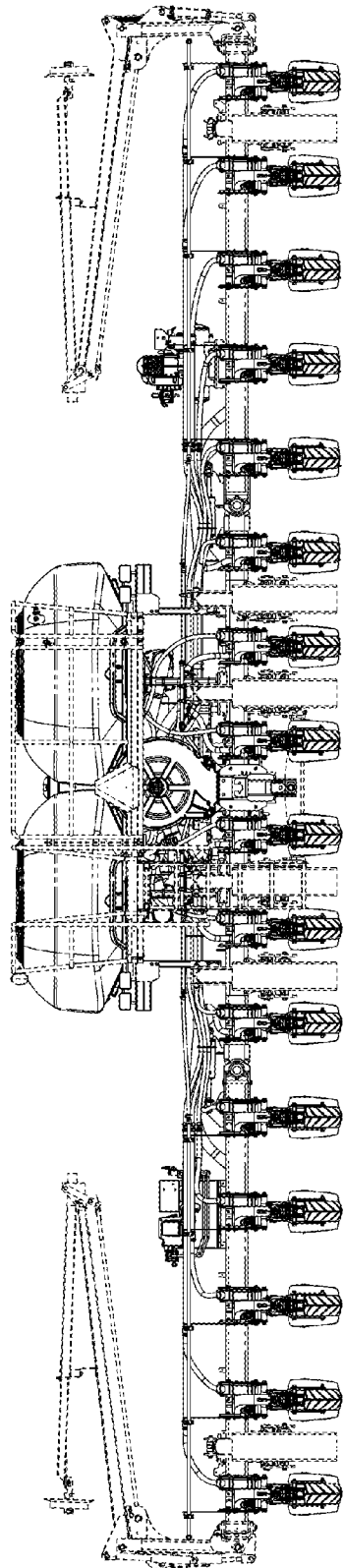


Fig. 5

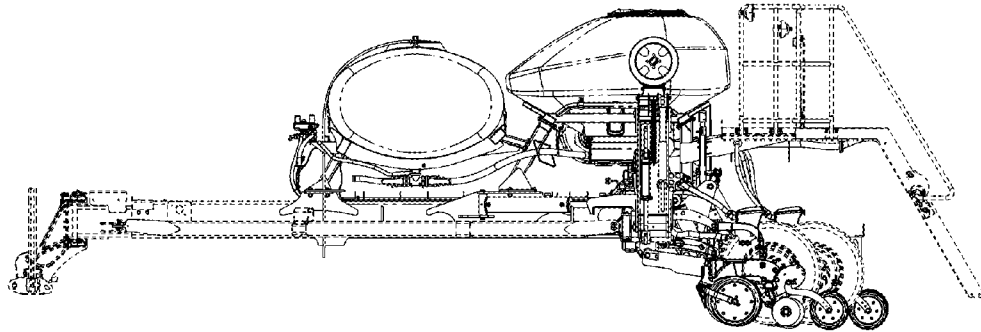


Fig. 6

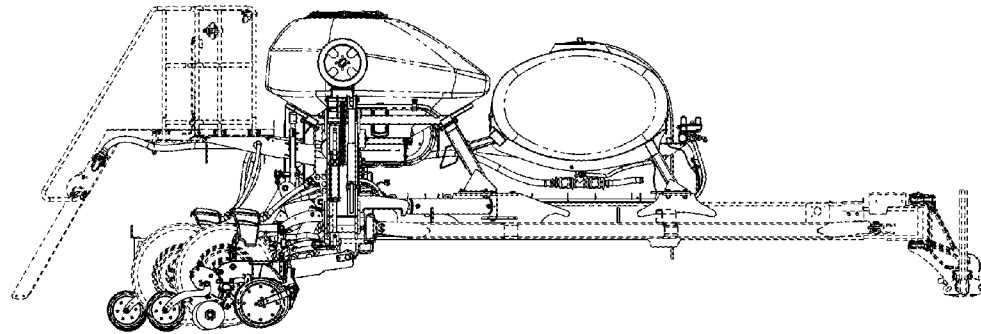


Fig. 7