



US00D874569S

(12) **United States Design Patent**  
**Tumblety et al.**

(10) **Patent No.:** **US D874,569 S**

(45) **Date of Patent:** **\*\* Feb. 4, 2020**

- (54) **HYBRID PAYSTATION**
- (71) Applicant: **Crane Payment Innovations, Inc.**,  
Malvern, PA (US)
- (72) Inventors: **Gareth Edward Tumblety**, Horwich  
(GB); **Christopher Robert Marks**,  
Philadelphia, PA (US); **Robert Clauser**,  
Columbus, NJ (US); **Ryan Harding**  
**Bimes**, Philadelphia, PA (US); **Robert**  
**James Blythin**, Philadelphia, PA (US)
- (73) Assignee: **Crane Payment Innovations, Inc.**,  
Malvern, PA (US)

D769,572 S *	10/2016	Park	.....	D99/28
D781,024 S *	3/2017	King	.....	D99/28
D787,774 S *	5/2017	Shin	.....	D99/28
D794,274 S *	8/2017	Mangeot	.....	D99/28
D795,523 S *	8/2017	King	.....	D99/28
D839,529 S *	1/2019	Nelson	.....	D99/28
D847,452 S *	4/2019	Angelopoulos	.....	D99/28

(\*\*) Term: **15 Years**

(21) Appl. No.: **29/638,117**

(22) Filed: **Feb. 23, 2018**

(51) **LOC (12) Cl.** ..... **20-01**

(52) **U.S. Cl.**  
USPC ..... **D20/1**

(58) **Field of Classification Search**  
USPC ..... D20/1-9; D15/79, 81, 89; D99/28  
CPC ..... G06Q 20/18; G07F 7/00; G07F 7/025;  
G07F 7/08; G07F 7/12; G07F 11/00;  
G07F 11/02; G07F 11/62; G07F 11/165;  
G07F 7/069; G07F 17/00; G07F 17/40  
See application file for complete search history.

(56) **References Cited**

**U.S. PATENT DOCUMENTS**

D419,277 S *	1/2000	Ishii	.....	D99/28
D454,421 S *	3/2002	Jeon	.....	D18/3.3
D481,518 S *	10/2003	Magee	.....	D99/28
D511,358 S *	11/2005	Forster	.....	D20/1
D530,880 S *	10/2006	Magee	.....	D99/28
D534,705 S *	1/2007	Kang	.....	D99/28

**OTHER PUBLICATIONS**

Paypod Hybrid, posted at Youtube.com, posted on Mar. 6, 2018, site visited Jun. 20, 2019. online, available from internet: <https://www.youtube.com/watch?v=5Hcdi186Sro> (Year: 2018).\*

\* cited by examiner

*Primary Examiner* — Mary Ann Calabrese

*Assistant Examiner* — Catherine Ho

(57) **CLAIM**

The ornamental design for a hybrid paystation, as shown and described.

**DESCRIPTION**

FIG. 1 is a perspective view of a hybrid paystation showing the new design;

FIG. 2 is a front view thereof;

FIG. 3 is a rear view thereof;

FIG. 4 is a right side view thereof;

FIG. 5 is a left side view thereof;

FIG. 6 is a top view thereof;

FIG. 7 is a bottom view thereof;

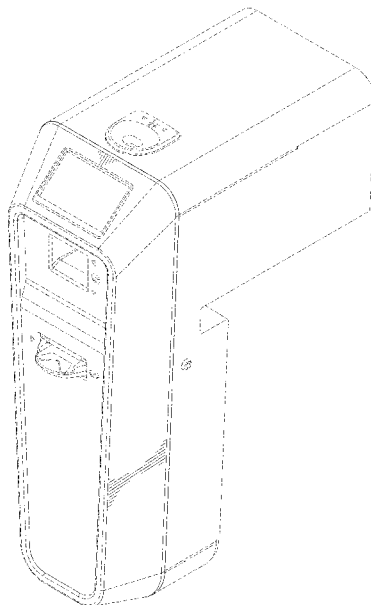
FIG. 8 is a front perspective view thereof;

FIG. 9 is a rear perspective view thereof; and,

FIG. 10 is a rear perspective view thereof.

The broken lines present in the drawings are included for the purpose of illustrating portions of the article which form no part of the claimed design.

**1 Claim, 10 Drawing Sheets**



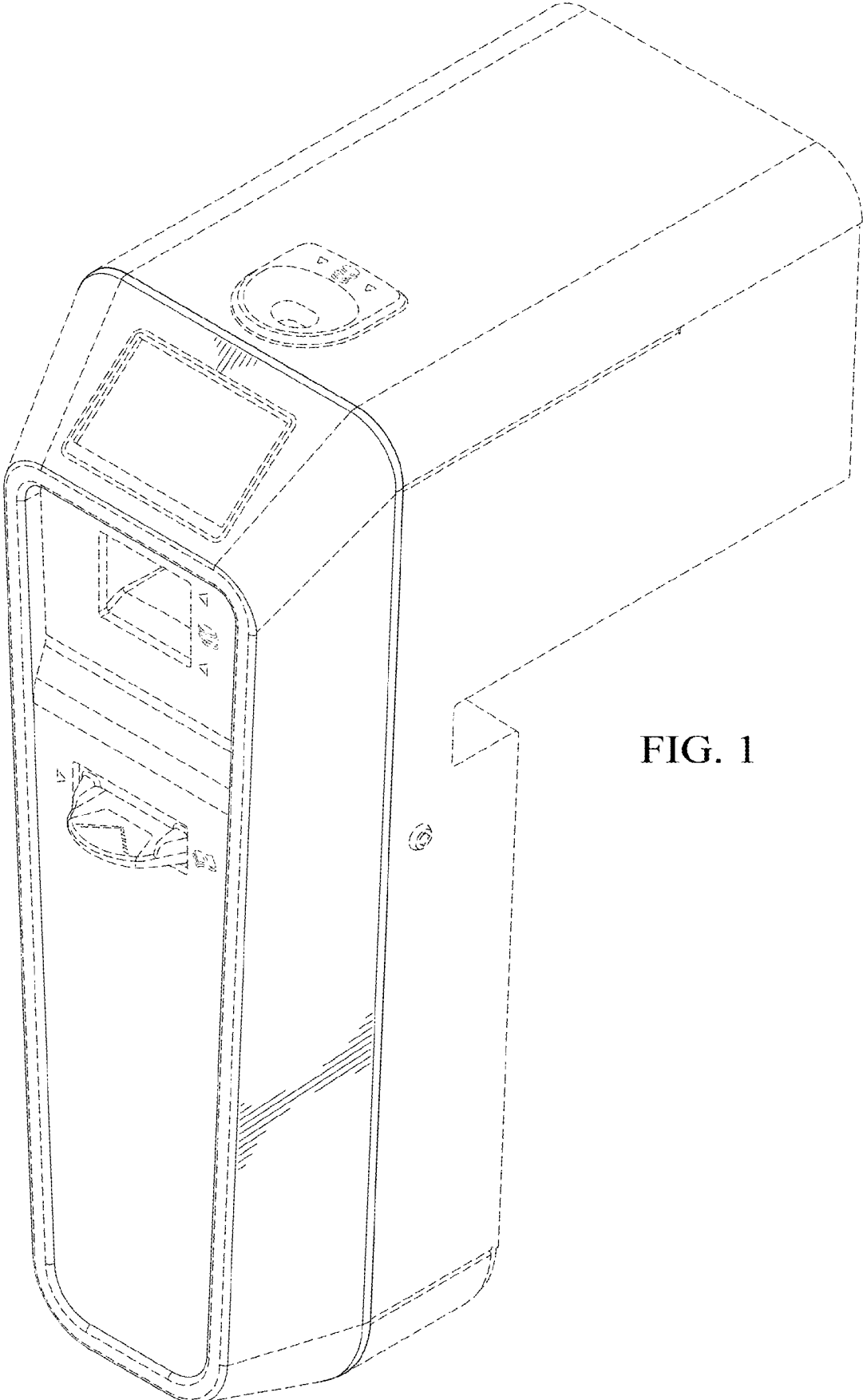


FIG. 1

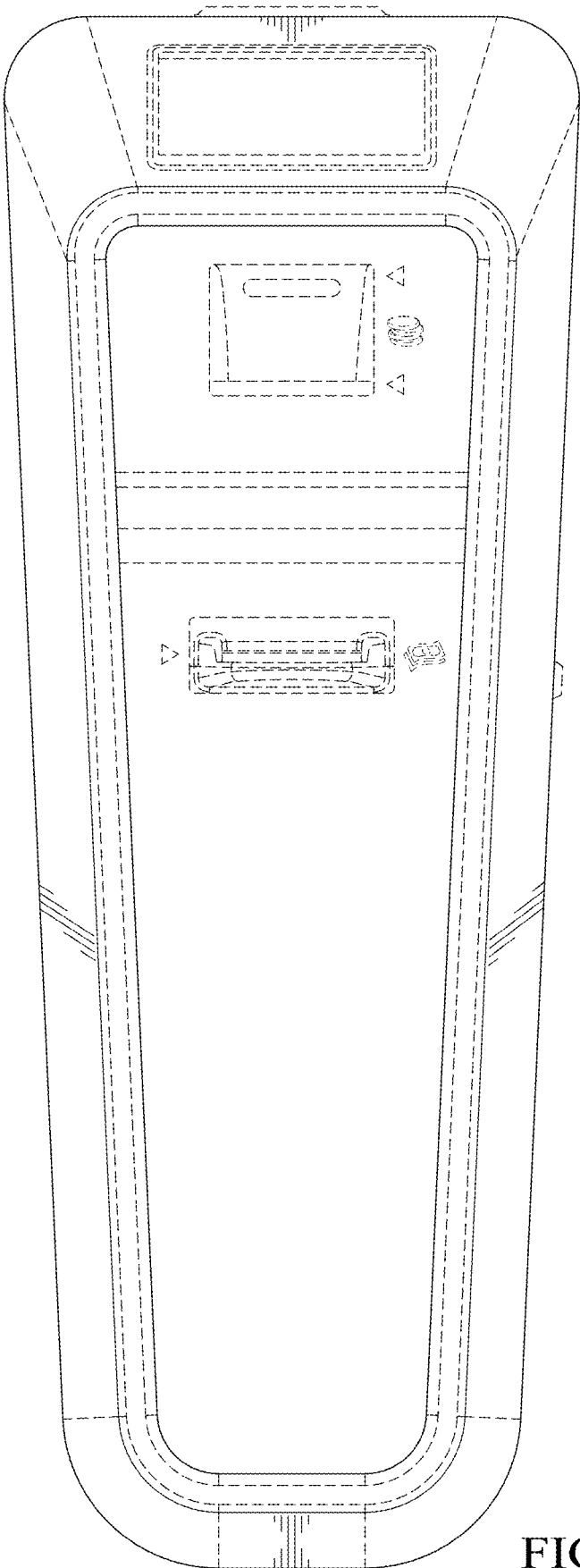


FIG. 2

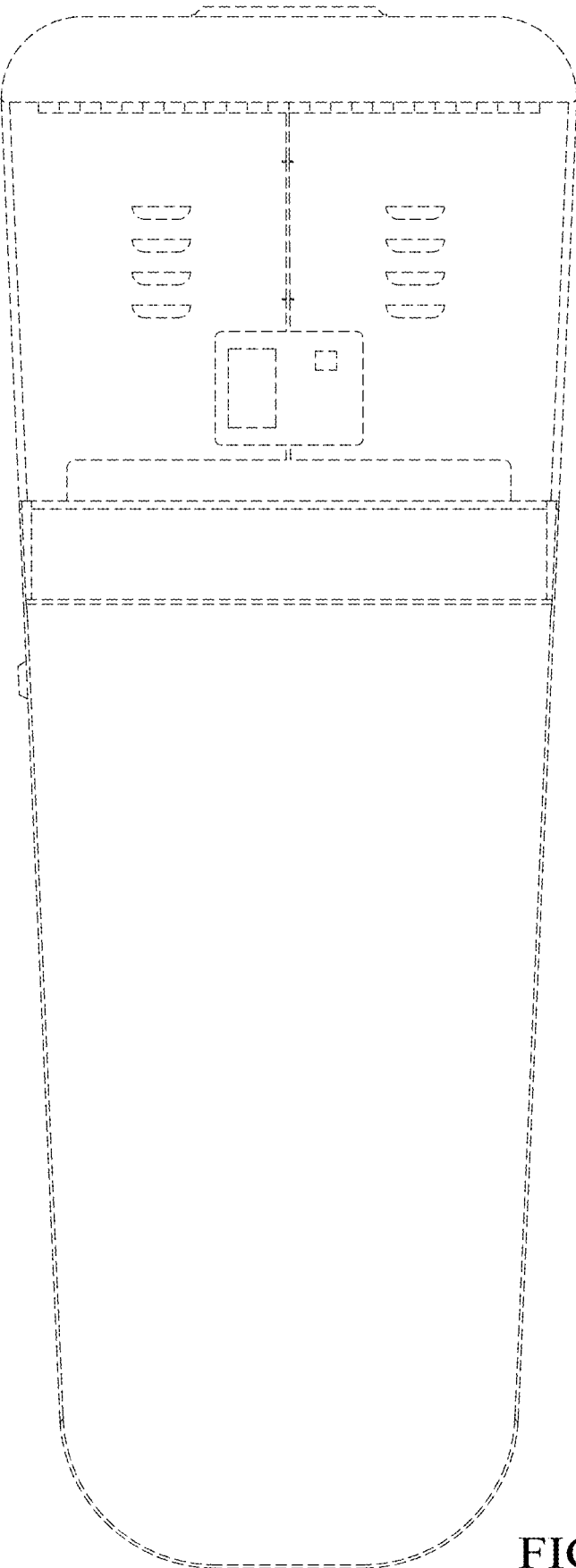


FIG. 3

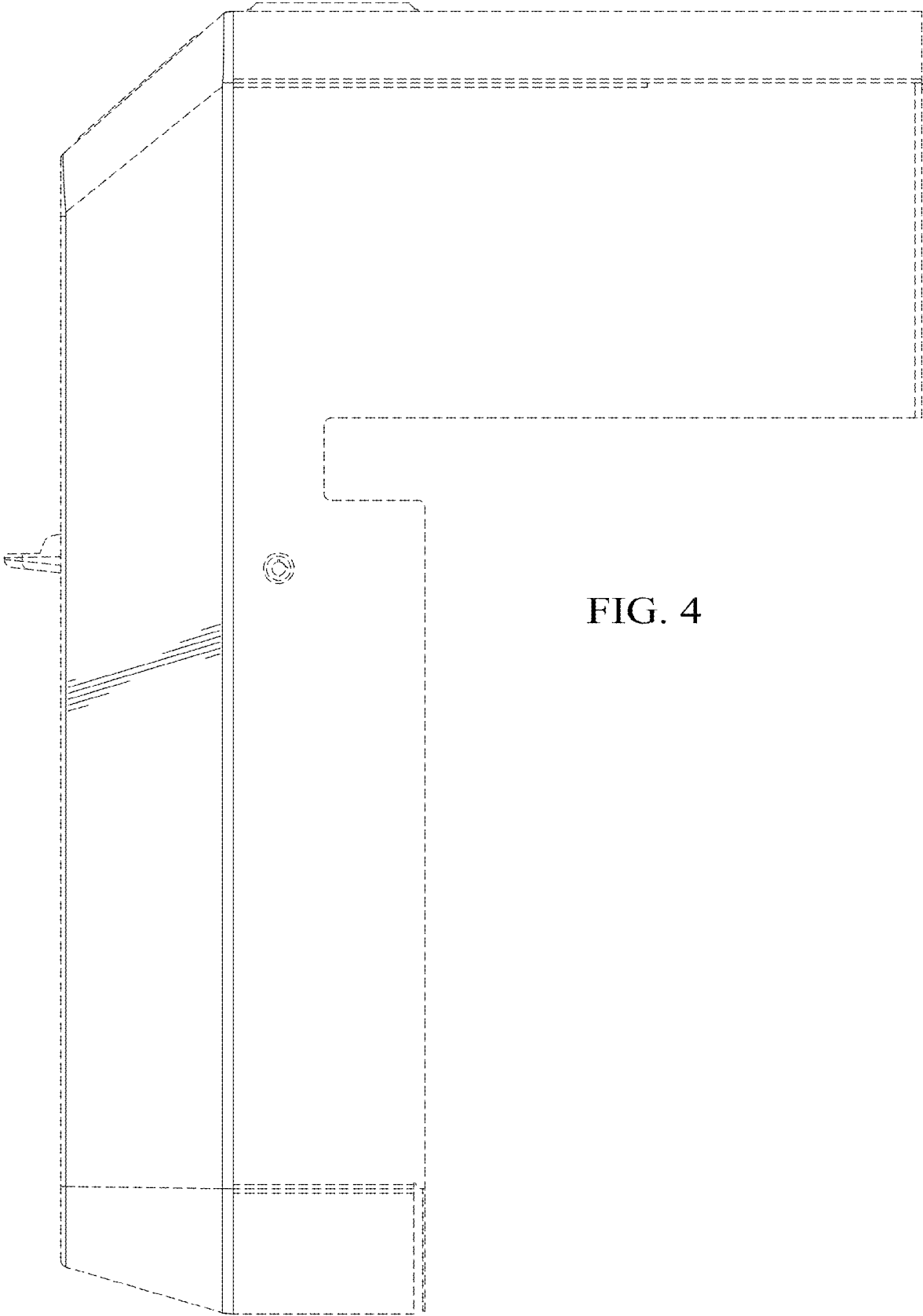


FIG. 4

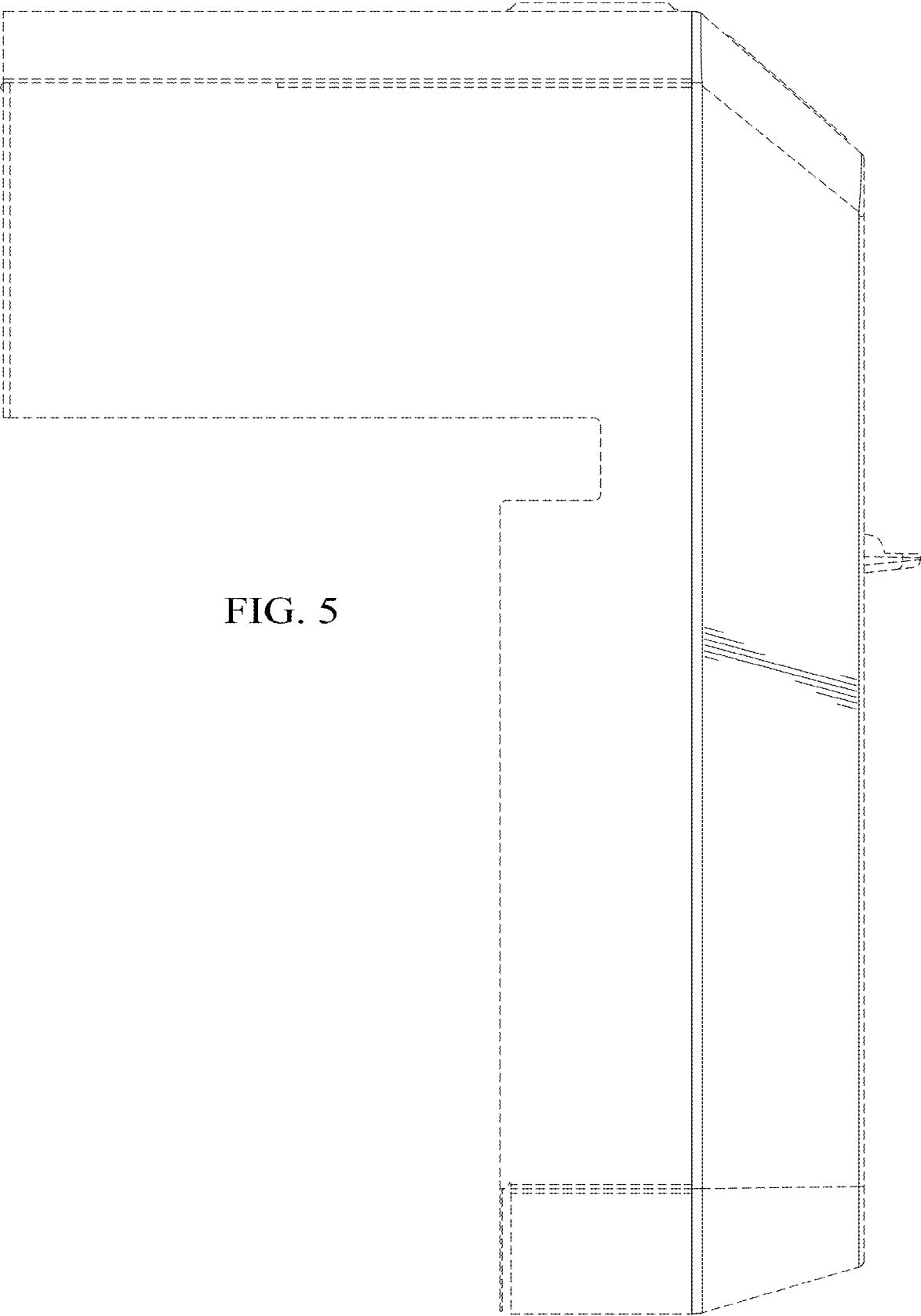


FIG. 5

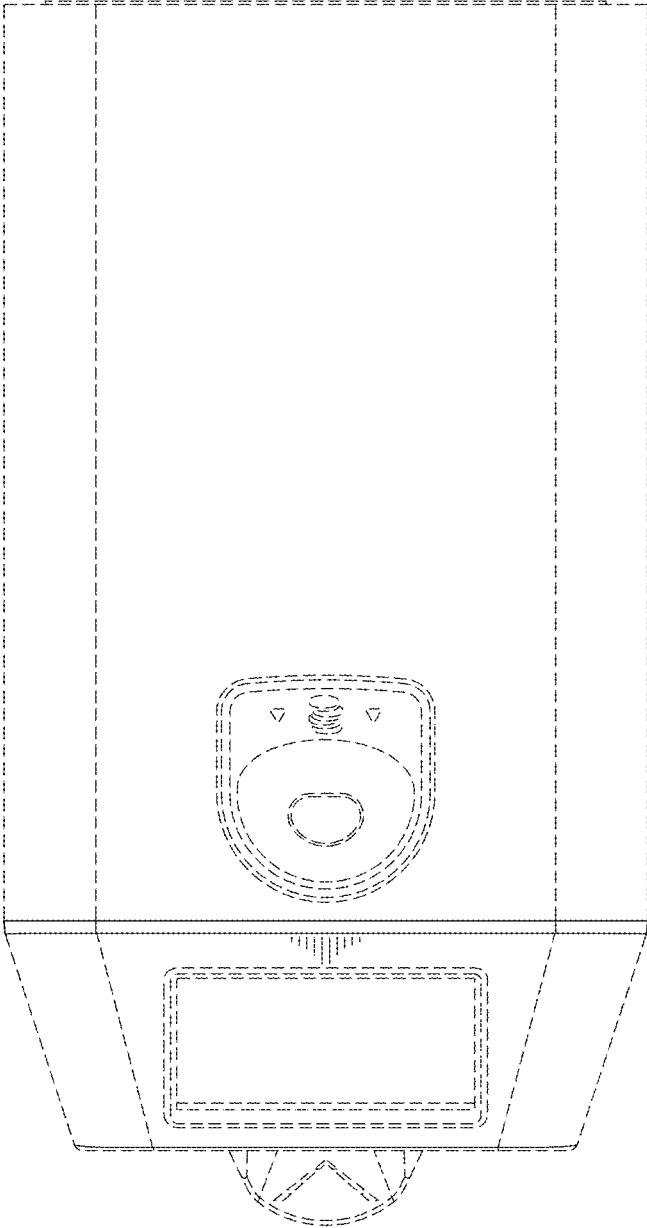


FIG. 6

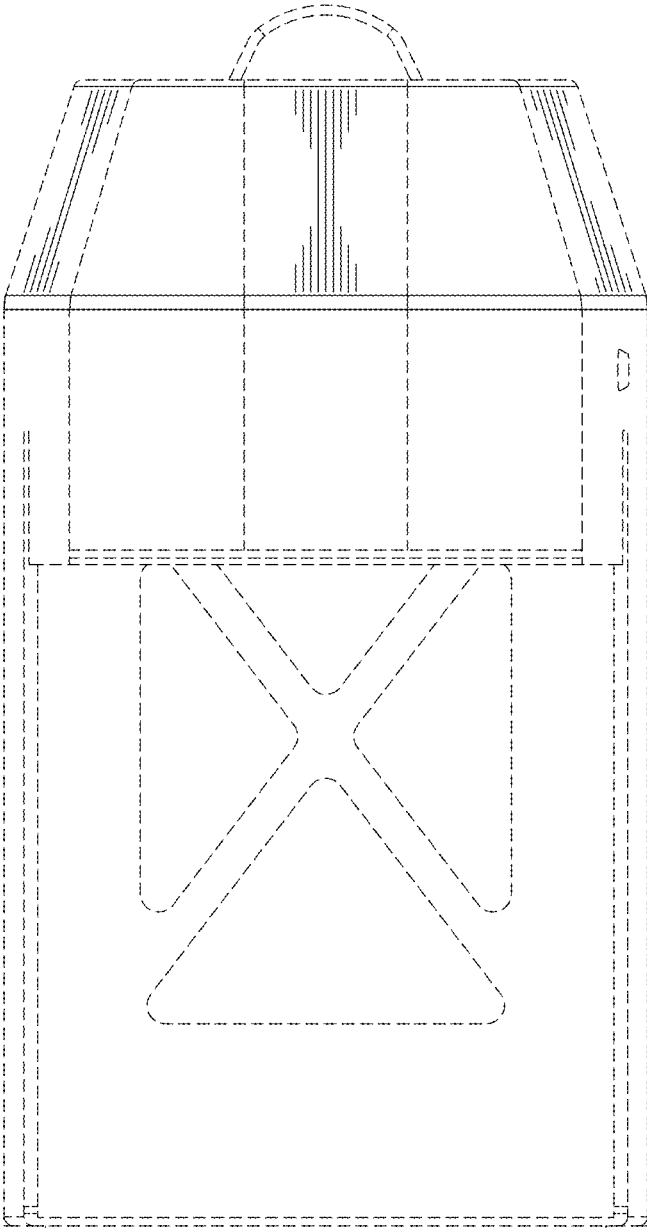


FIG. 7



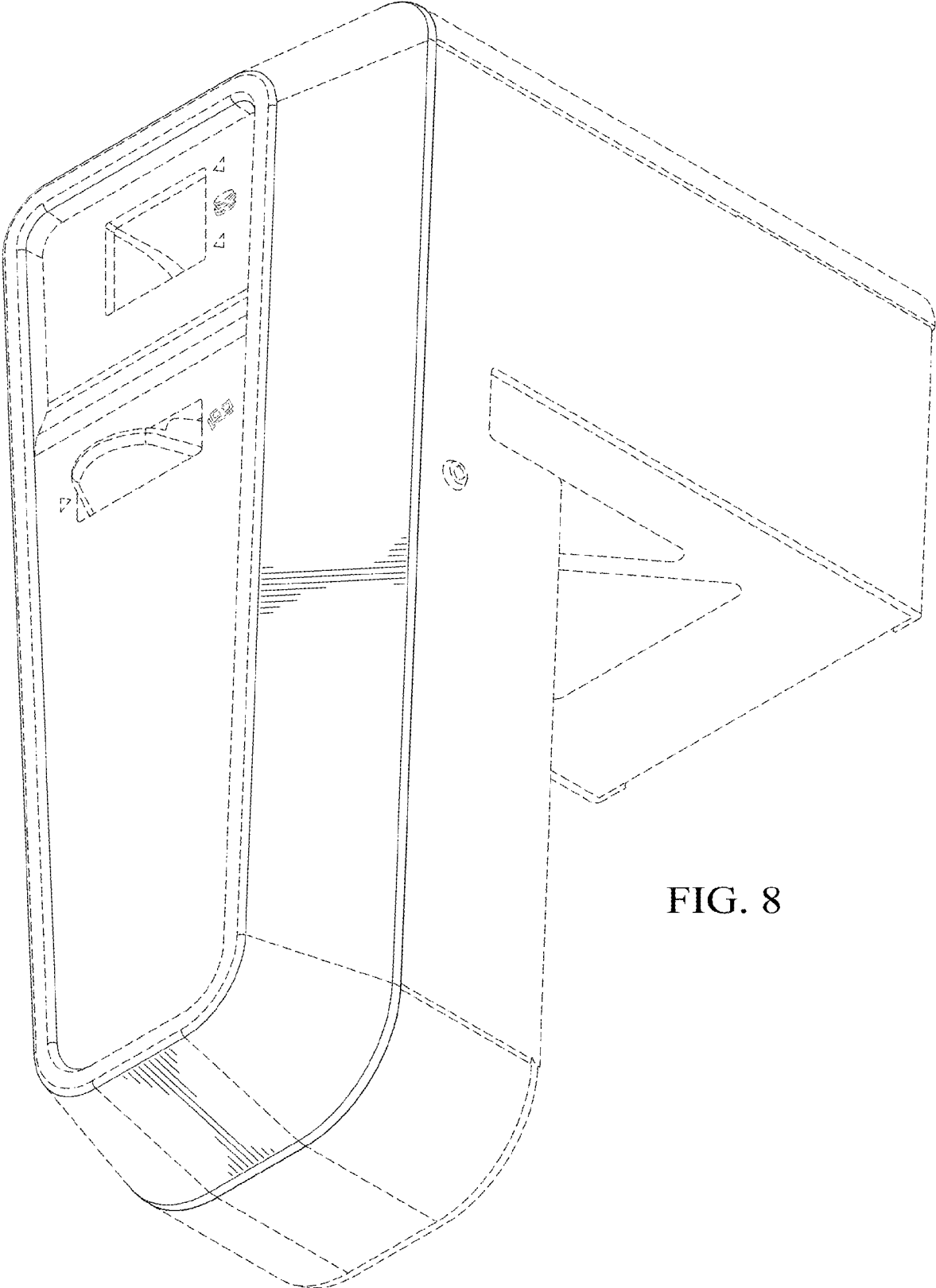


FIG. 8

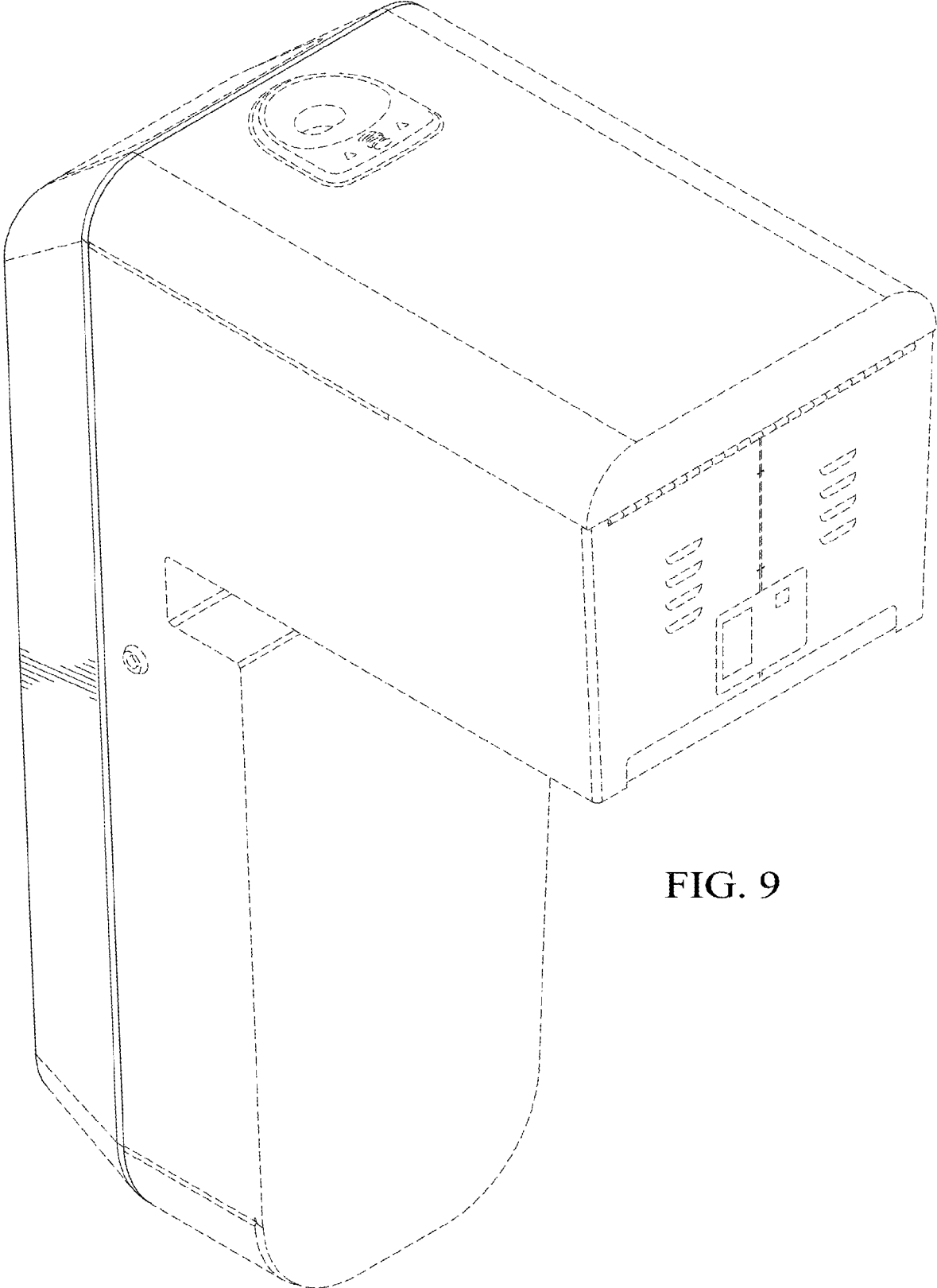


FIG. 9

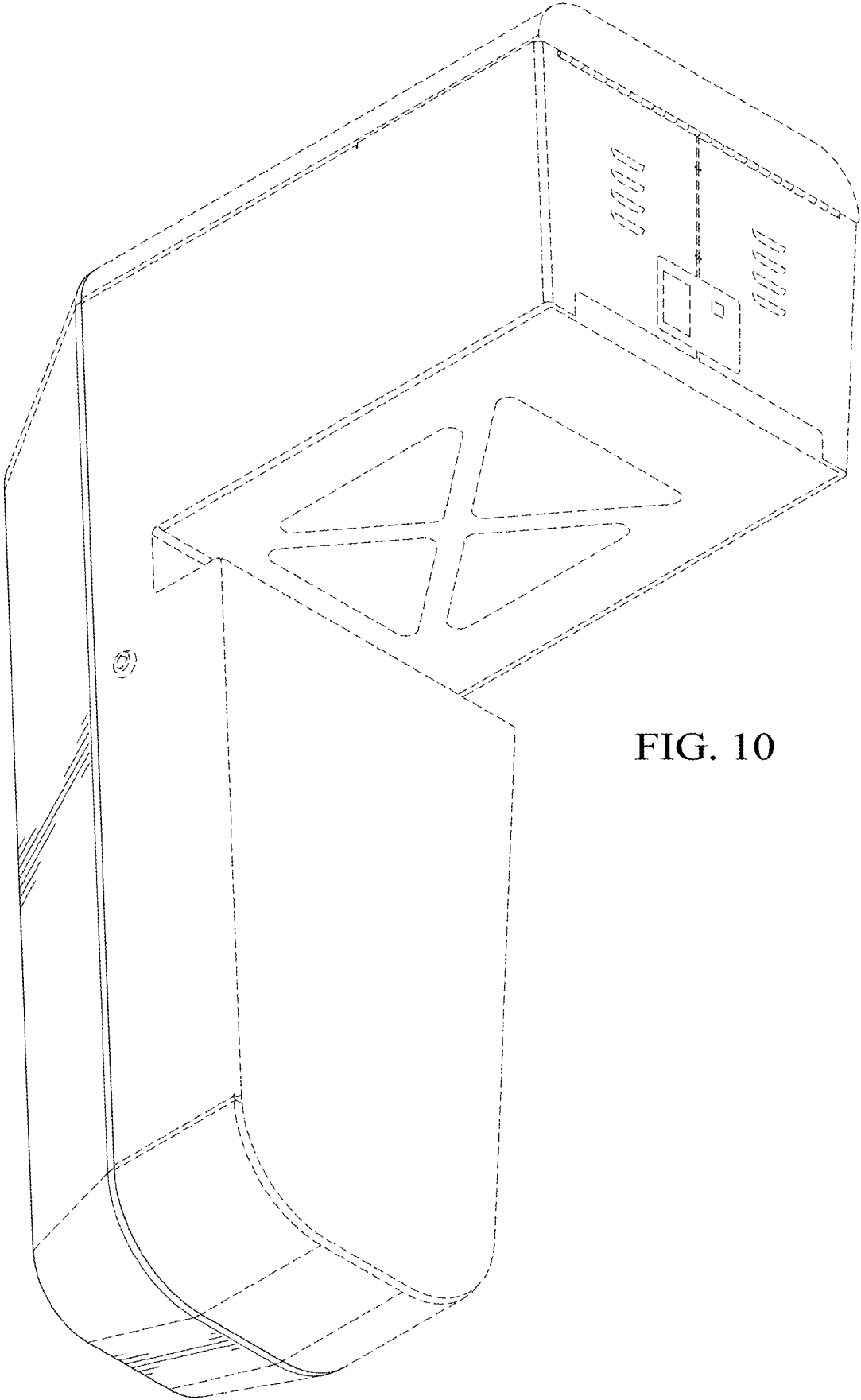


FIG. 10