



US00D950295S

(12) **United States Design Patent** (10) **Patent No.:** **US D950,295 S**  
**Ernotte** (45) **Date of Patent:** **\*\* May 3, 2022**

(54) **FOOD PROCESSOR**  
(71) Applicant: **BABYLISS FACO SRL**, Wandre (BE)  
(72) Inventor: **Aubry Ernotte**, Theux (BE)  
(73) Assignee: **BABYLISS FACO SRL**, Wandre (BE)  
(\*\*) Term: **15 Years**  
(21) Appl. No.: **35/510,848**  
(22) Filed: **Nov. 18, 2020**  
(80) **Hague Agreement Data**  
Int. Filing Date: **Nov. 18, 2020**  
Int. Reg. No.: **DM/211346**  
Int. Reg. Date: **Nov. 18, 2020**  
Int. Reg. Pub. Date: **Dec. 4, 2020**

D414,982 S \* 10/1999 Hopkins ..... D7/362  
6,234,067 B1 \* 5/2001 Schmidt ..... A47J 36/12  
99/426  
D451,335 S \* 12/2001 Rossman ..... D7/360  
7,064,297 B2 \* 6/2006 Tidey ..... A47J 36/12  
126/220  
D537,670 S \* 3/2007 Genslak ..... D7/354  
D542,592 S \* 5/2007 Lubowicki ..... D7/362  
D620,744 S \* 8/2010 Rose ..... D7/357  
D631,685 S \* 2/2011 Tiller ..... D7/337  
D646,114 S \* 10/2011 Wong ..... D7/357  
D664,802 S \* 8/2012 Upston ..... D7/362  
D672,190 S \* 12/2012 Upston ..... D7/354  
D697,363 S \* 1/2014 Tu ..... D7/357  
D714,092 S \* 9/2014 Verbrugge ..... D7/352  
D715,086 S \* 10/2014 Piret ..... D7/352  
D763,034 S \* 8/2016 Berge ..... D7/362  
D819,392 S \* 6/2018 Mattei ..... D7/360

(Continued)

Primary Examiner — Karen S Acker

(30) **Foreign Application Priority Data**  
May 22, 2020 (EM) ..... 007960984-0001  
(51) **LOC (13) Cl.** ..... **31-00**  
(52) **U.S. Cl.**  
USPC ..... **D7/323; D7/368**  
(58) **Field of Classification Search**  
USPC ..... D7/213, 323, 330, 337, 340, 348, 350.3,  
D7/354, 357, 362, 368, 400, 401.1, 401.2,  
D7/402, 510, 511, 523, 533, 536, 566,  
D7/600, 600.1, 602, 609, 624.1, 638, 672,  
D7/701; D6/512, 522, 561, 571, 572,  
D6/573, 661, 661.2, 602, 663, 671, 672,  
D6/675, 681.2, 683.1; D32/58  
CPC ... A47G 1/20; A47J 31/44; A47J 31/52; A47J  
43/04; A47J 43/44  
See application file for complete search history.

(57) **CLAIM**  
The ornamental design for a food processor, as shown and described.

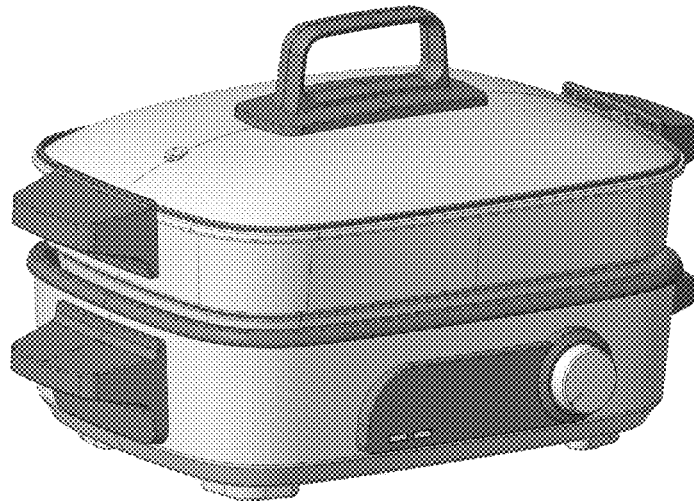
**DESCRIPTION**

The patent or application file contains at least one drawing executed in color. Copies of this patent or patent application publication with color drawing(s) will be provided by the Office upon request and payment of the necessary fee.

- 1. Food processor
- 1.1: front and left perspective
- 1.2: front
- 1.3: rear
- 1.4: right
- 1.5: left
- 1.6: top
- 1.7: bottom
- 1.8: rear and right perspective

(56) **References Cited**  
U.S. PATENT DOCUMENTS  
D268,472 S \* 4/1983 Nishikawa Hideo ..... D7/350.3  
D366,592 S \* 1/1996 Cesaroni ..... D7/355

**1 Claim, 8 Drawing Sheets**  
**(8 of 8 Drawing Sheet(s) Filed in Color)**



(56)

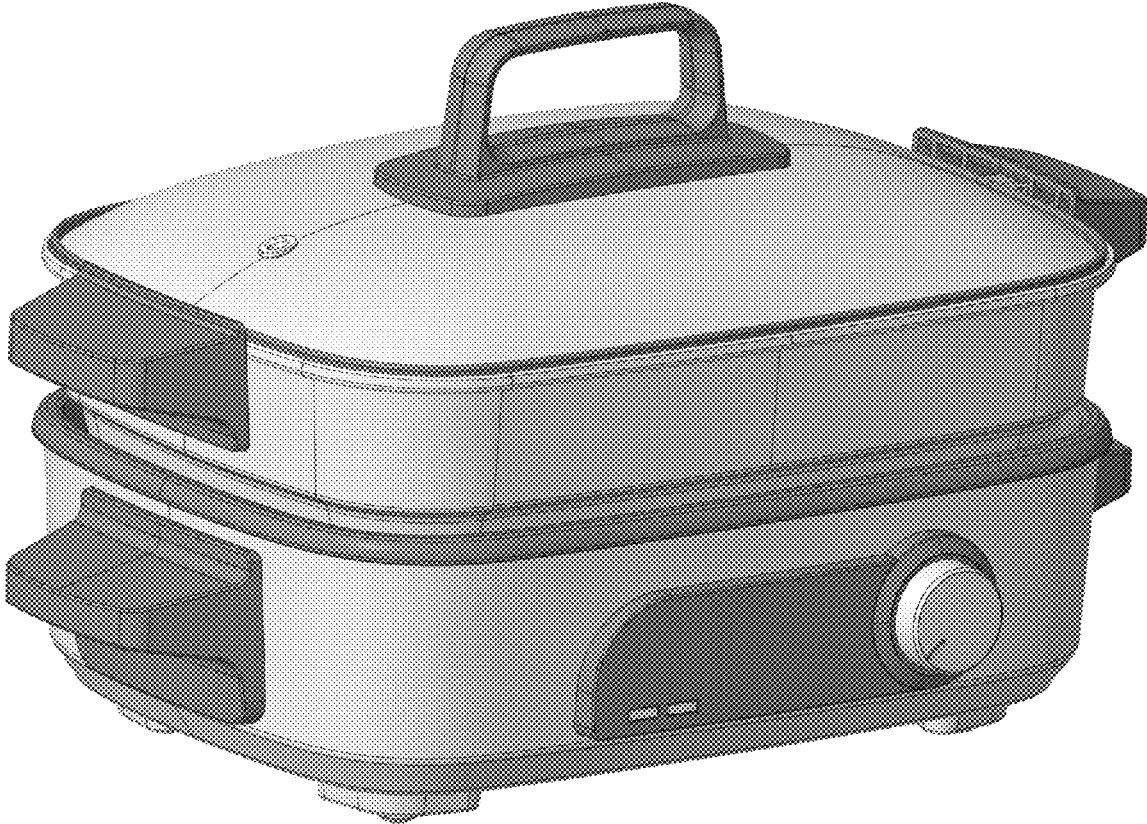
**References Cited**

U.S. PATENT DOCUMENTS

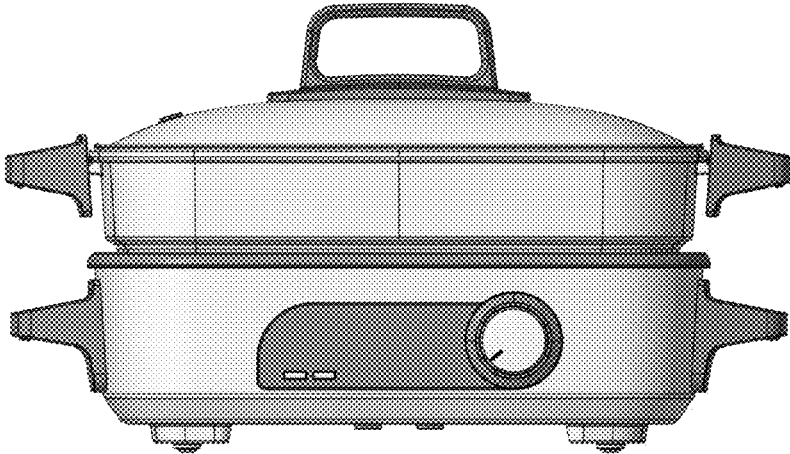
D842,023	S	*	3/2019	Carlson	.....	D7/367
D862,974	S	*	10/2019	Miyawaki	.....	D7/362
D866,240	S	*	11/2019	Glucksman	.....	D7/354
D873,599	S	*	1/2020	Yan	.....	D7/354
D880,930	S	*	4/2020	Zhang	.....	D7/357
D926,514	S	*	8/2021	Du	.....	A47J 36/12
						D7/362
D936,407	S	*	11/2021	Kim	.....	A47J 36/12
						D7/337

\* cited by examiner

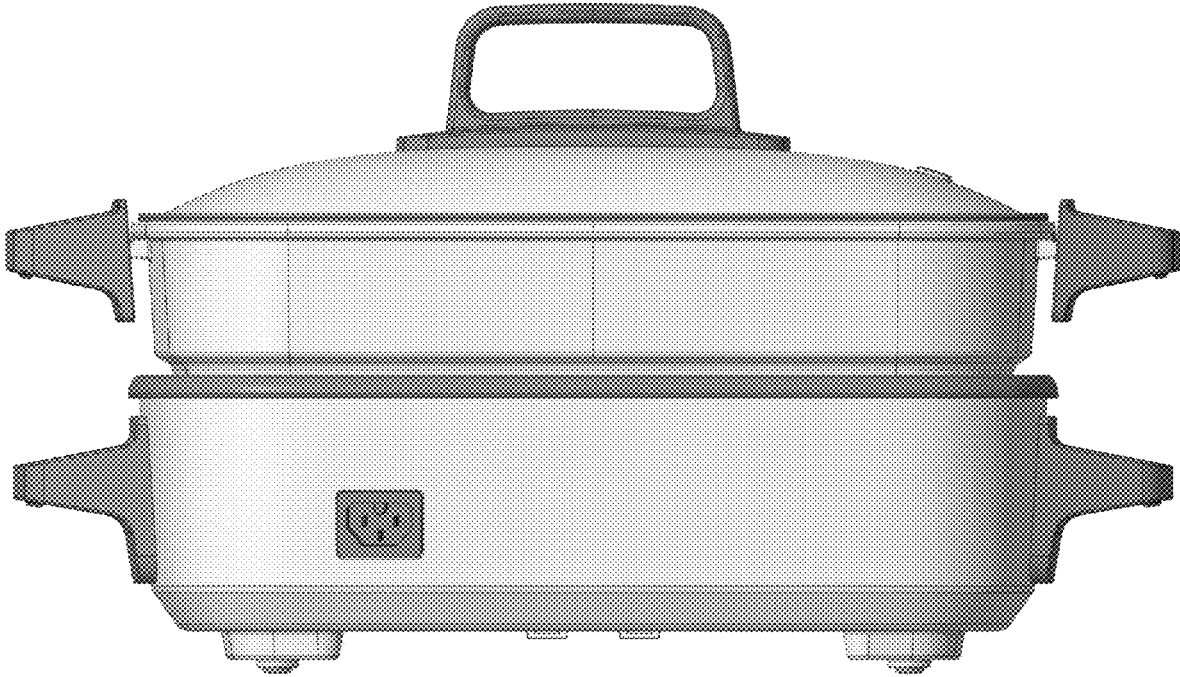
1.1



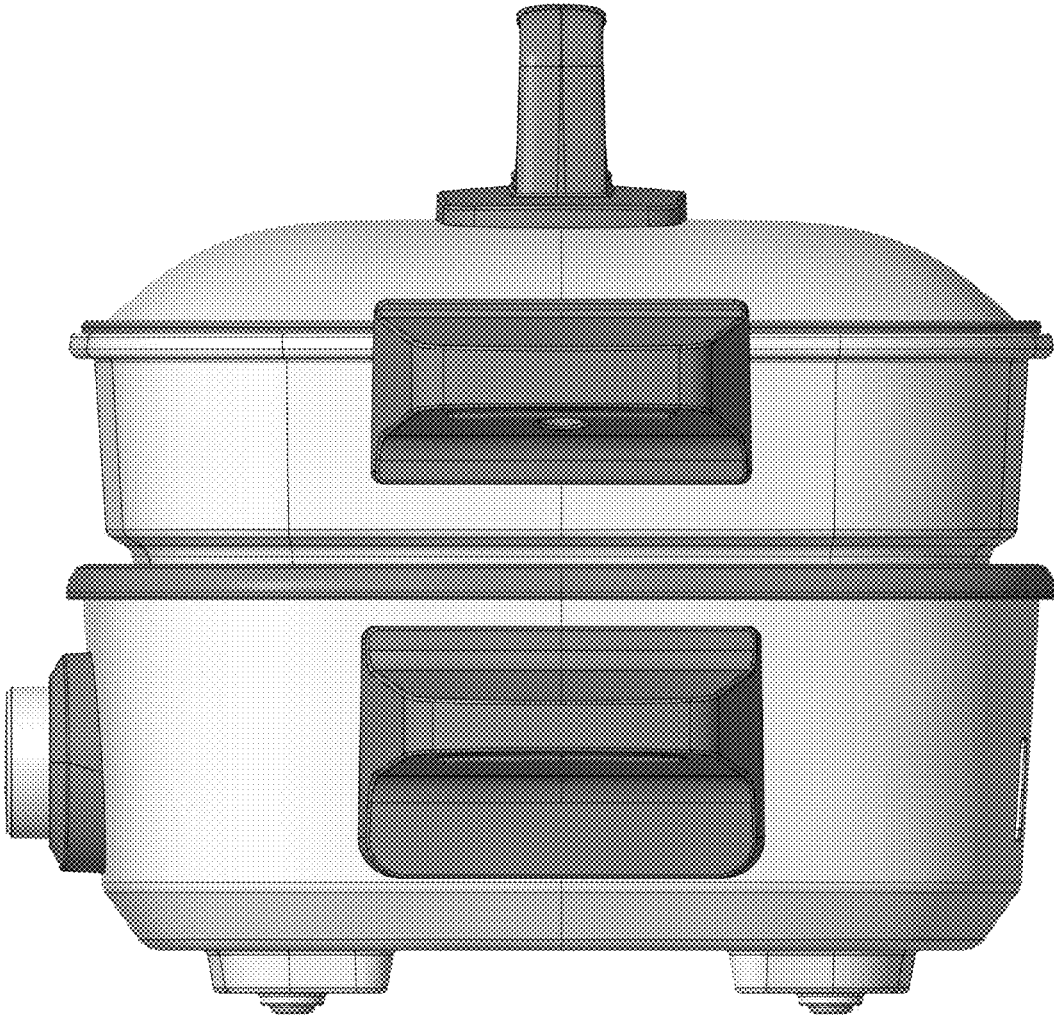
1.2



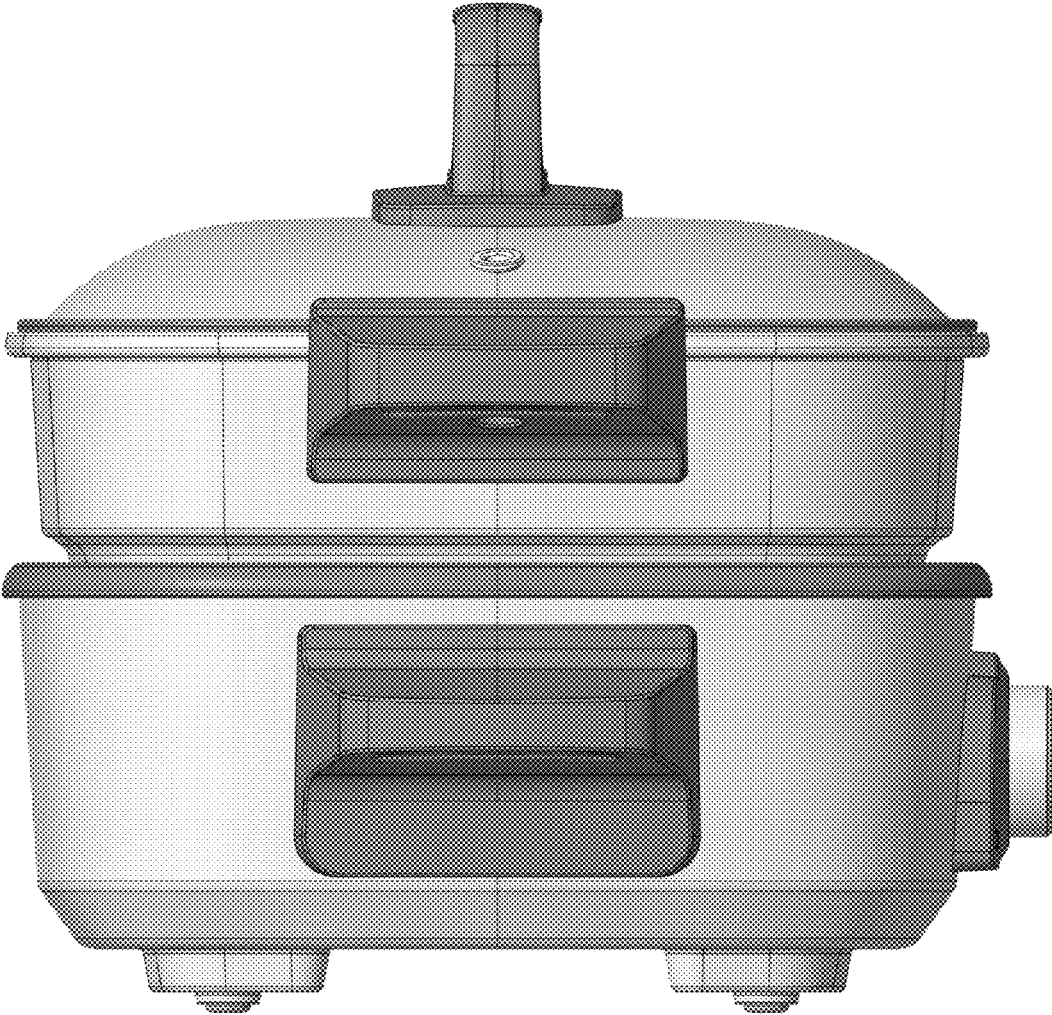
1.3



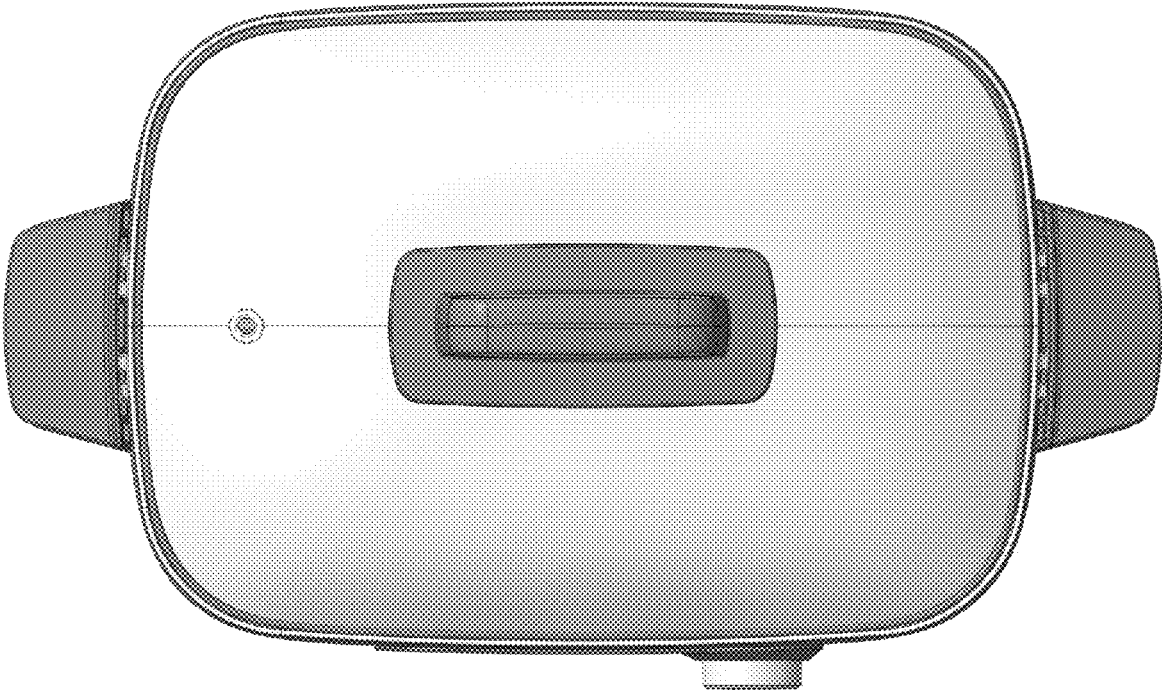
1.4



1.5

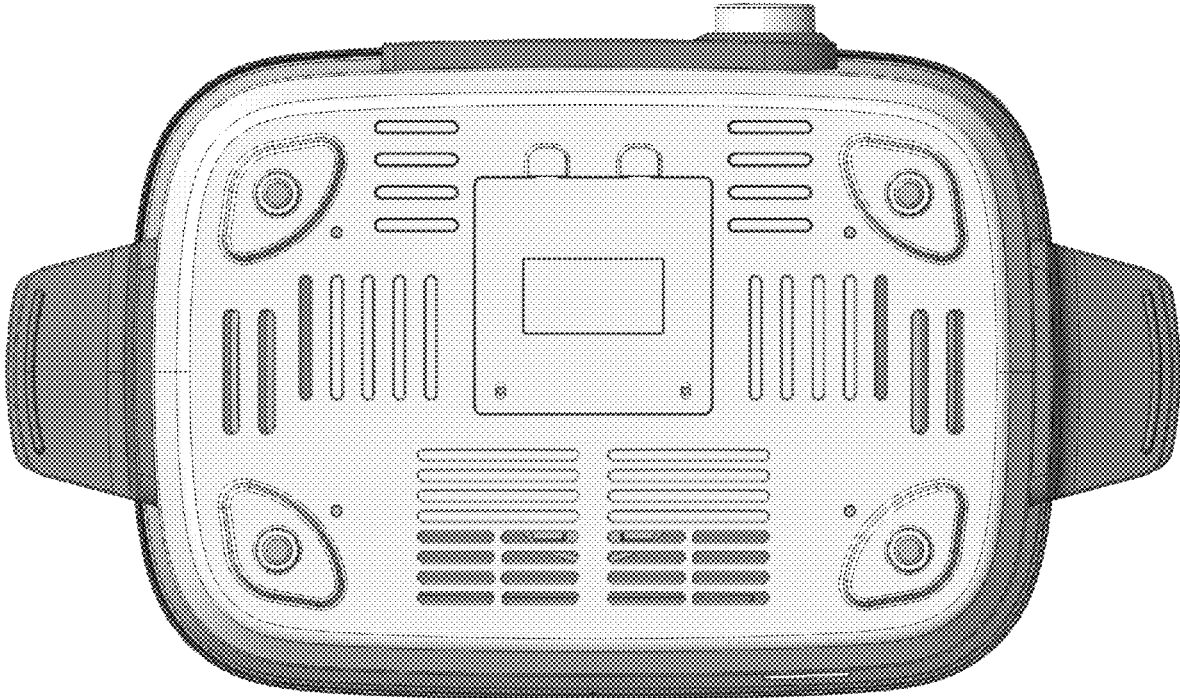


1.6





1.7



1.8

