



US00D778874S

(12) **United States Design Patent**
Lin et al.

(10) **Patent No.:** **US D778,874 S**

(45) **Date of Patent:** **** Feb. 14, 2017**

- (54) **HEADSET**
- (71) Applicant: **KINGSTON DIGITAL, INC.**,
Fountain Valley, CA (US)
- (72) Inventors: **Feng-Sheng Lin**, Hsinchu (TW);
Yu-kuo Huang, Hsinchu (TW); **Peter**
Leekuo Chou, Fountain Valley, CA
(US)
- (73) Assignee: **Kingston Digital, Inc.**, Fountain Valley,
CA (US)
- (**) Term: **15 Years**
- (21) Appl. No.: **29/541,879**
- (22) Filed: **Oct. 8, 2015**
- (51) **LOC (10) Cl.** **14-01**
- (52) **U.S. Cl.**
USPC **D14/205**
- (58) **Field of Classification Search**
USPC D14/205, 223; D29/112; 2/209; 181/129,
181/130, 135; 379/430, 431; 381/380,
381/381, 345, 370, 371, 374, 378;
455/90.3, 575.1
CPC H04R 1/1066; H04R 25/00; H04R 5/033;
H04R 1/10; H04R 1/105
See application file for complete search history.

D337,115	S	*	7/1993	Yamazaki	D14/205
5,303,426	A	*	4/1994	Jones	A41D 20/00
						2/181
D348,067	S	*	6/1994	Lucey	D14/223
D353,817	S	*	12/1994	Wada	D14/205
6,006,115	A	*	12/1999	Wingate	H04M 1/6033
						379/110.01
D431,550	S	*	10/2000	Yoneda	D14/205
D453,015	S	*	1/2002	Yuyama	D14/192
6,483,925	B1	*	11/2002	Shen	H04R 1/105
						381/370
D484,868	S	*	1/2004	Suzuki	D14/205
D491,163	S	*	6/2004	Green	D14/205
D512,983	S	*	12/2005	Tachikawa	D14/205
D514,087	S	*	1/2006	Wilson	D14/206
D514,095	S	*	1/2006	Wilson	D14/223
D531,165	S	*	10/2006	Rath	D14/206
D532,407	S	*	11/2006	Motoishi	D14/205
D541,255	S	*	4/2007	Taylor	D14/205

(Continued)

Primary Examiner — Paula Greene

(74) *Attorney, Agent, or Firm* — Skaar Ulbrich Macari,
P.A.

(57)

CLAIM

We claim the ornamental design for a headset, as shown and described.

DESCRIPTION

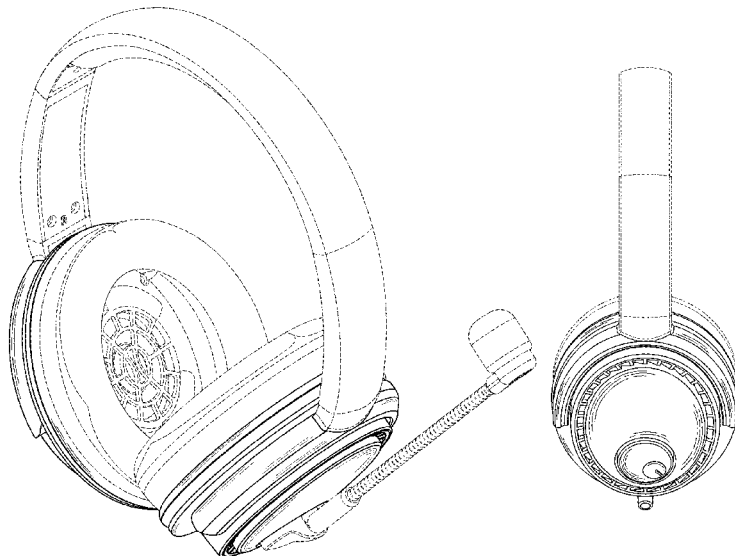
FIG. 1 is a perspective view of a headset showing the claimed design;
 FIG. 2 is a front elevational view of FIG. 1;
 FIG. 3 is a rear elevational view of FIG. 1;
 FIG. 4 is a left side elevational view of FIG. 1;
 FIG. 5 is a right side elevational view of FIG. 1;
 FIG. 6 is a top plan view of FIG. 1; and,
 FIG. 7 is a bottom plan view of FIG. 1.
 The broken lines are directed to environment and are provided for illustrative purpose only; the broken lines form no part of the claimed design.

1 Claim, 5 Drawing Sheets

(56) **References Cited**

U.S. PATENT DOCUMENTS

3,488,457	A	*	1/1970	Lahti	H04R 1/1008
						381/371
D254,183	S	*	2/1980	Doodson	D14/205
D262,019	S	*	11/1981	Upshaw	D14/205
D267,286	S	*	12/1982	Anderie	D29/112
D272,904	S	*	3/1984	Kawano	D14/205
5,068,923	A	*	12/1991	Sjoqvist	A61F 11/14
						181/129
D328,074	S	*	7/1992	Yamazaki	D14/205



(56)

References Cited

U.S. PATENT DOCUMENTS

D556,187	S *	11/2007	Feng	D14/205
D563,382	S *	3/2008	Wikel	D14/205
D573,581	S *	7/2008	Gondo	D14/205
D584,715	S *	1/2009	Brennwald	D14/205
D585,871	S *	2/2009	Lee	D14/205
D585,872	S *	2/2009	Lee	D14/205
D587,684	S *	3/2009	Ham	D14/205
D589,492	S *	3/2009	Mistry	D14/205
D594,847	S *	6/2009	Suzuki	D14/205
7,580,539	B2 *	8/2009	Tachikawa	H04R 1/1066 381/374
D603,370	S *	11/2009	Suzuki	D14/205
D604,266	S *	11/2009	Milde	D14/205
8,098,872	B2 *	1/2012	Chang	H04R 1/1075 381/370
8,189,847	B2 *	5/2012	Huang	H04R 1/1075 381/186
D673,519	S *	1/2013	Tan	D14/205
D712,383	S *	9/2014	McNamara	D14/223
D721,052	S *	1/2015	Carr	D14/205
D722,302	S *	2/2015	Lee	D14/205
D723,509	S *	3/2015	Garland	D14/205
D725,636	S *	3/2015	McNamara	D14/205
D729,194	S *	5/2015	Boeckel	D14/205
D734,297	S *	7/2015	Sasaki	D14/205
D745,859	S *	12/2015	Kiuchi	D14/205
D758,338	S *	6/2016	Szymanski	D14/205
D761,761	S *	7/2016	Ando	D14/205
2009/0279729	A1 *	11/2009	Huang	H04R 1/1016 381/345
2013/0083955	A1 *	4/2013	Miyazawa	H04R 1/1066 381/378

* cited by examiner

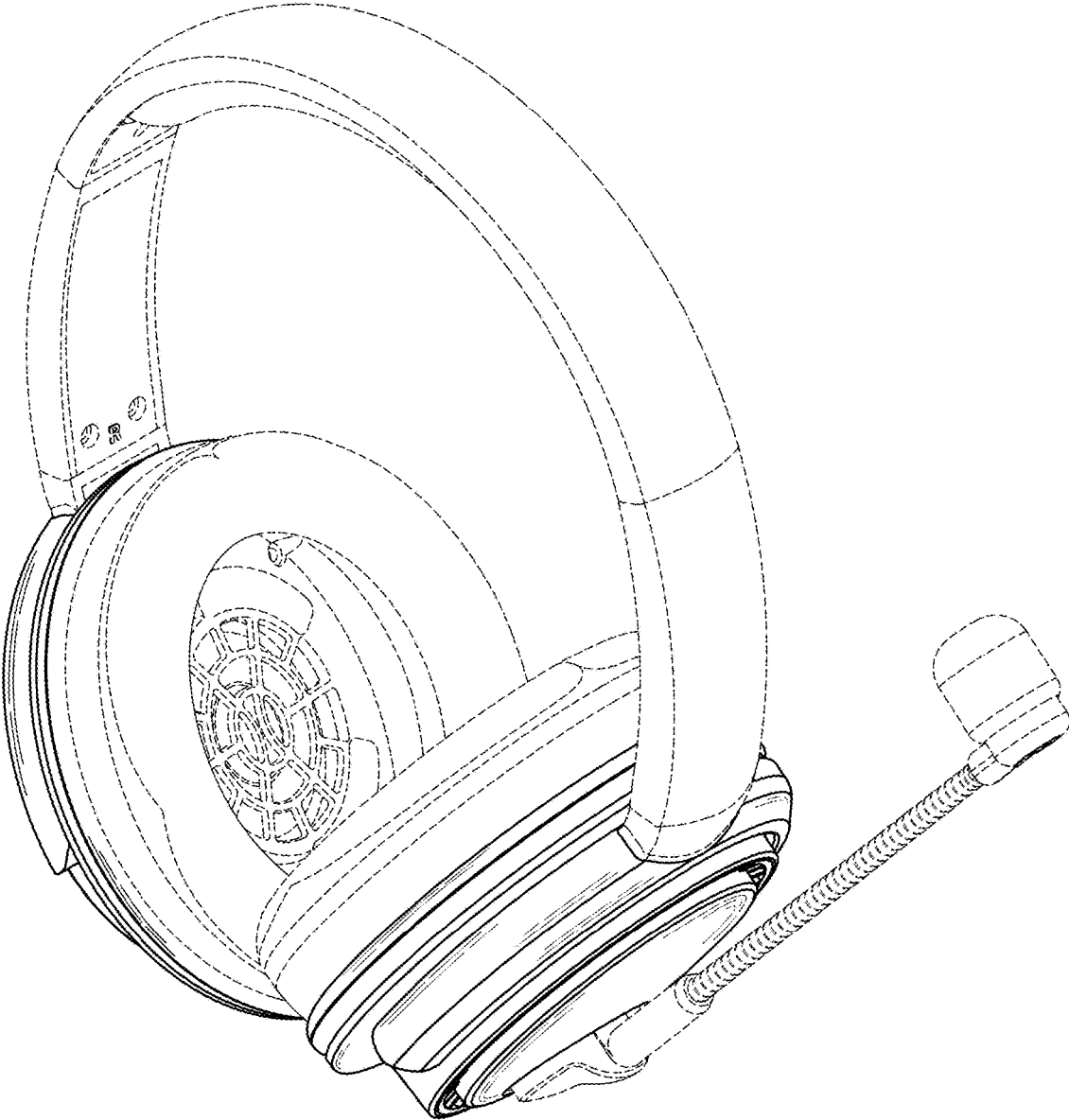


FIG.1

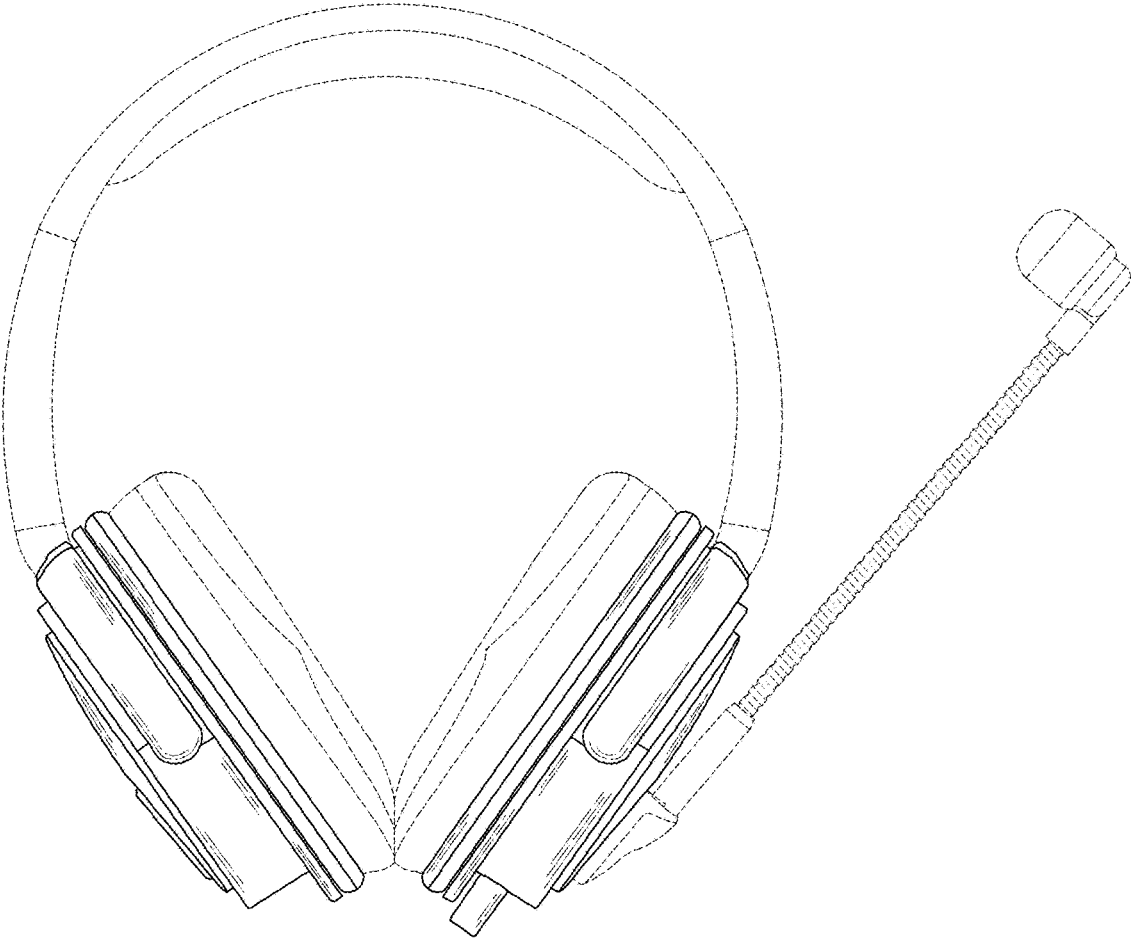


FIG.2



FIG.3

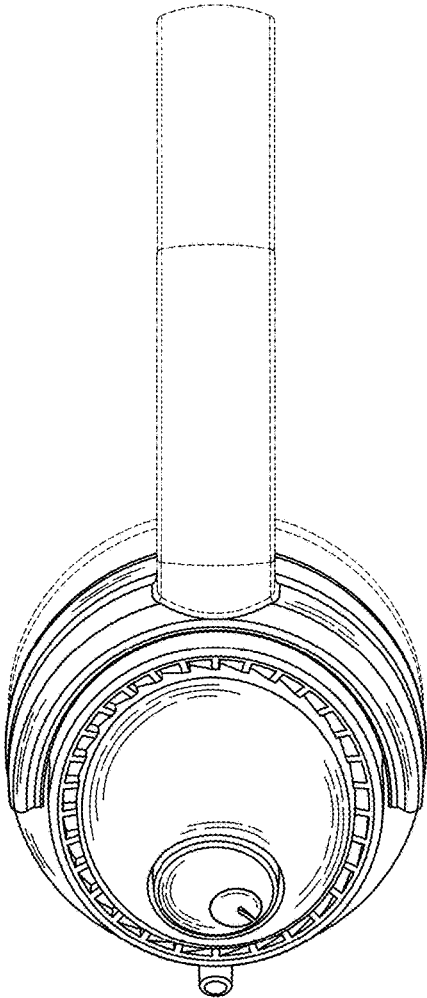


FIG. 4

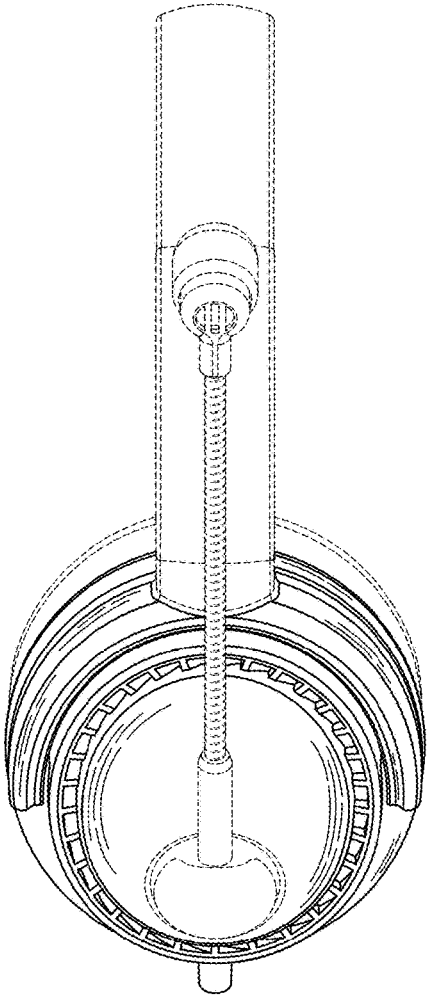


FIG. 5

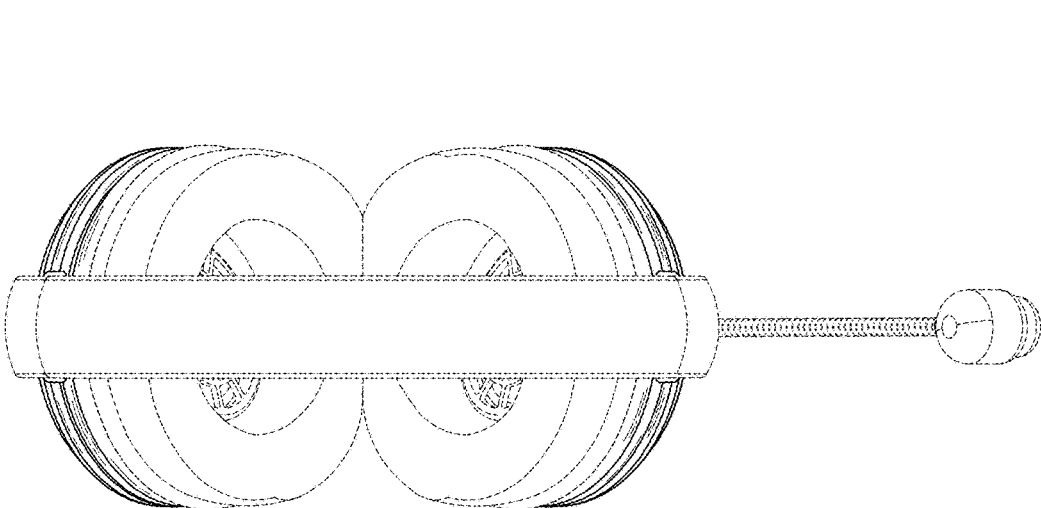


FIG. 6

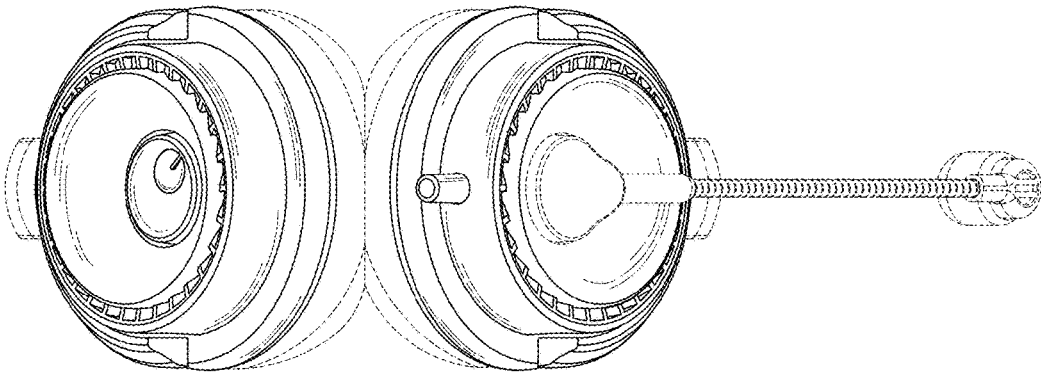


FIG. 7