



US00D775414S

(12) **United States Design Patent** (10) **Patent No.:** **US D775,414 S**
Ampolini et al. (45) **Date of Patent:** **** Dec. 27, 2016**

(54) **CHARGE AND CARRY CASE**

FOREIGN PATENT DOCUMENTS

(71) Applicant: **R.J. Reynolds Tobacco Company**,
Winston-Salem, NC (US)

WO WO 2013/174002 11/2013
WO WO 2014/117382 8/2014

(Continued)

(72) Inventors: **Frederic Philippe Ampolini**,
Winston-Salem, NC (US); **James
William Rogers**, Winston-Salem, NC
(US); **Bruce Alan Bengtsson**,
Winston-Salem, NC (US); **James
Demopoulos**, Winston-Salem, NC (US);
Michael Laut, Raleigh, NC (US);
Steven Bockmann, Raleigh, NC (US)

Primary Examiner — Susan Bennett Hattan
Assistant Examiner — Janice Hallmark
(74) *Attorney, Agent, or Firm* — Womble Carlyle
Sandridge & Rice, LLP

(57) **CLAIM**

The ornamental design for a charge and carry case, shown
and described.

(73) Assignee: **RAI Strategic Holdings, Inc.**,
Winston-Salem, NC (US)

DESCRIPTION

(**) Term: **14 Years**

(21) Appl. No.: **29/518,024**

(22) Filed: **Feb. 19, 2015**

(51) **LOC (10) Cl.** **27-06**

(52) **U.S. Cl.**
USPC **D27/186; D13/108**

(58) **Field of Classification Search**
USPC D27/129, 141, 144, 152, 153, 157, 160,
D27/172, 174, 175, 183, 186, 187,
D27/189-191, 193, 194, 184, 101,
D27/163-169; D9/420, 423, 504, 529,
D9/545, 686, 688, 524, 737, 741, 746;
D13/108, 100-199; 206/242, 249,
206/250, 256, 259, 261, 264, 265, 267,
206/268; D3/273, 294; 131/270-273,
131/329-330, 347; D7/513, 541
(Continued)

FIG. 1 is a top perspective view of the charge and carry case;
FIG. 2 is a further top perspective view of the charge and
carry case;
FIG. 3 is a tilted top perspective view of the charge and carry
case;
FIG. 4 is a plan view showing a first face of the charge and
carry case;
FIG. 5 is a plan view showing the opposing face of the
charge and carry case;
FIG. 6 is a plan view showing a fist side of the charge and
carry case;
FIG. 7 is a plan view showing the opposing side of the
charge and carry case;
FIG. 8 is a plan view showing the top end of the charge and
carry case;
FIG. 9 is a plan view showing the bottom end of the charge
and carry case;
FIG. 10 is a bottom perspective view of the charge and carry
case;
FIG. 11 is a reverse bottom perspective view of the charge
and carry case;
FIG. 12 is a bottom perspective view of the open charge and
carry case;
FIG. 13 is a bottom perspective view of the open charge and
carry case rotated relative to FIG. 12;
FIG. 14 is a tilted bottom perspective view of the open
charge and carry case;

(Continued)

(56) **References Cited**

U.S. PATENT DOCUMENTS

4,214,658 A * 7/1980 Crow A24F 23/04
206/236

D368,552 S * 4/1996 Adams D27/194
(Continued)

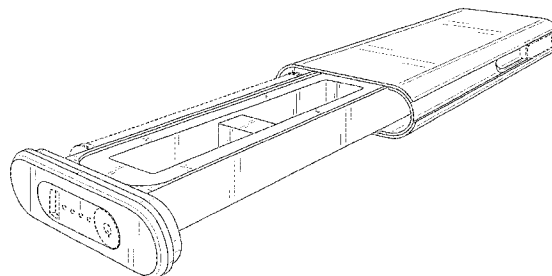
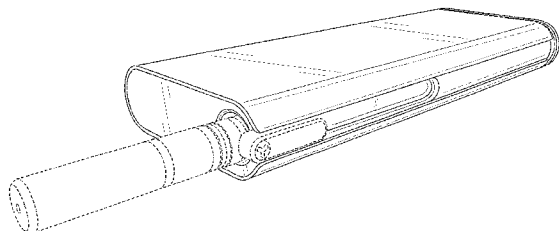


FIG. 15 is a bottom perspective view of the open charge and carry case rotated relative to FIG. 14;
 FIG. 16 is a plan view showing the first face of the open charge and carry case;
 FIG. 17 is a plan view showing the opposing face of the open charge and carry case;
 FIG. 18 is a plan view showing the first side of the open charge and carry case;
 FIG. 19 is a plan view showing the opposing side of the open charge and carry case;
 FIG. 20 is a further bottom perspective view of the open charge and carry case; and,
 FIG. 21 is a bottom perspective view of the open charge and carry case rotated relative to FIG. 20.
 The broken lines shown herein depict environmental subject matter only and form no part of the claimed design.

1 Claim, 21 Drawing Sheets

(58) **Field of Classification Search**

CPC A24F 13/14; A24F 9/16; A24F 15/00;
 A24F 15/12; A24F 15/18; A24F
 15/20; A24F 47/002; A24F 15/14; A24F
 15/005; A24F 23/00; A24F 23/04; B65D
 85/10; B65D 85/1054; B65D
 85/1036; B65D 85/1045

See application file for complete search history.

(56) **References Cited**

U.S. PATENT DOCUMENTS

5,934,289 A * 8/1999 Watkins A24F 47/008
 128/202.21
 D422,113 S * 3/2000 Higgins D27/186
 D433,532 S * 11/2000 Higgins D27/186
 6,615,840 B1 * 9/2003 Fournier A24F 47/008
 131/194
 D547,440 S * 7/2007 Louet-Feisser D24/110
 D577,150 S * 9/2008 Bryman D27/163
 7,905,236 B2 * 3/2011 Bryman A24F 3/00
 131/184.2
 D649,708 S * 11/2011 Oneil D27/163
 D677,000 S 2/2013 Liu
 D677,001 S 2/2013 Liu
 D681,268 S 4/2013 Wu
 D681,269 S 4/2013 Wu
 D683,898 S 6/2013 Liu
 D683,899 S * 6/2013 Liu D13/108
 D688,416 S 8/2013 Liu
 D692,615 S 10/2013 Verleur
 D693,054 S 11/2013 Verleur
 D693,055 S 11/2013 Manca et al.
 D700,397 S 2/2014 Manca et al.
 D700,738 S 3/2014 Rennick et al.
 D700,739 S 3/2014 Manca et al.
 D700,994 S 3/2014 Alarcon et al.

D706,976 S 6/2014 Wu
 D712,090 S 8/2014 Liu
 D715,051 S 10/2014 Tung et al.
 D718,493 S 11/2014 Stern
 D723,734 S 3/2015 Liu
 D723,735 S 3/2015 Liu
 D723,736 S 3/2015 Liu
 D723,737 S 3/2015 Liu
 D723,738 S 3/2015 Liu
 D729,444 S * 5/2015 Leidel D27/163
 D743,099 S * 11/2015 Oglesby D27/101
 D749,510 S * 2/2016 Liu D13/108
 D753,336 S * 4/2016 Chen D27/101
 D758,656 S * 6/2016 Freshwater D27/163
 D760,431 S * 6/2016 Liu D27/189
 2012/0255546 A1 * 10/2012 Goetz A61M 11/041
 128/202.21
 2013/0146489 A1 6/2013 Scatterday
 2013/0341218 A1 12/2013 Liu
 2013/0342157 A1 12/2013 Liu
 2014/0020697 A1 1/2014 Liu
 2014/0053858 A1 2/2014 Liu
 2014/0083443 A1 3/2014 Liu
 2014/0246034 A1 9/2014 Terry et al.
 2014/0246035 A1 9/2014 Minskoff et al.
 2014/0286002 A1 9/2014 Liu
 2014/0291179 A1 10/2014 Xiang
 2014/0299492 A1 10/2014 Liu
 2014/0305820 A1 10/2014 Xiang
 2014/0354231 A1 12/2014 Xiang
 2015/0002076 A1 1/2015 Xiang
 2015/0008149 A1 1/2015 Liu
 2015/0008150 A1 1/2015 Liu
 2015/0034507 A1 2/2015 Liu
 2015/0041482 A1 2/2015 Liu
 2016/0050975 A1 * 2/2016 Worm A24F 47/008
 131/328

FOREIGN PATENT DOCUMENTS

WO WO 2014/139224 9/2014
 WO WO 2014/161130 10/2014
 WO WO 2014/166031 10/2014
 WO WO 2014/166033 10/2014
 WO WO 2014/169412 10/2014
 WO WO 2014/169423 10/2014
 WO WO 2014/172845 10/2014
 WO WO 2014/172906 10/2014
 WO WO 2014/185937 11/2014
 WO WO 2014/190480 12/2014
 WO WO 2014/190507 12/2014
 WO WO 2014/201643 12/2014
 WO WO 2014/205635 12/2014
 WO WO 2015/000143 1/2015
 WO WO 2015/000151 1/2015
 WO WO 2015/003305 1/2015
 WO WO 2015/003392 1/2015
 WO WO 2015/003394 1/2015
 WO WO 2015/006956 1/2015
 WO WO 2015/013886 2/2015
 WO WO 2015/013909 2/2015
 WO WO 2015/018041 2/2015

* cited by examiner

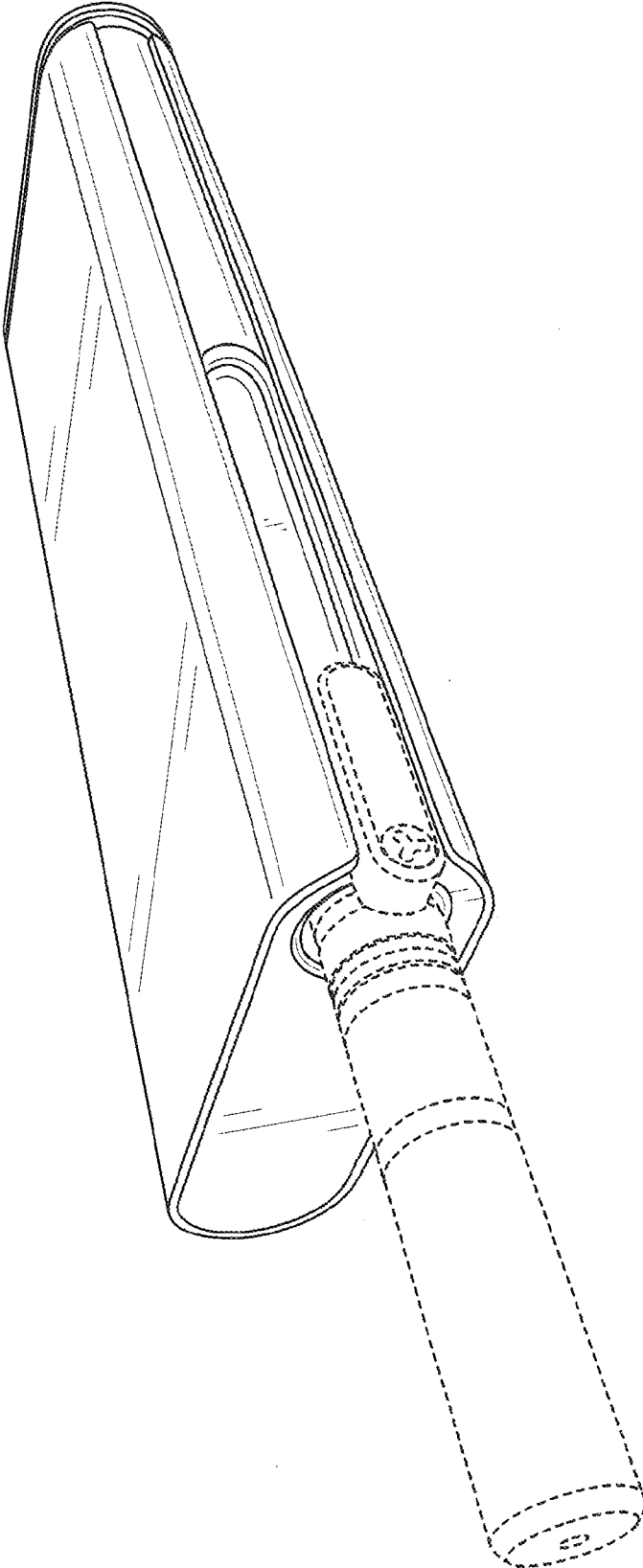


FIG. 1

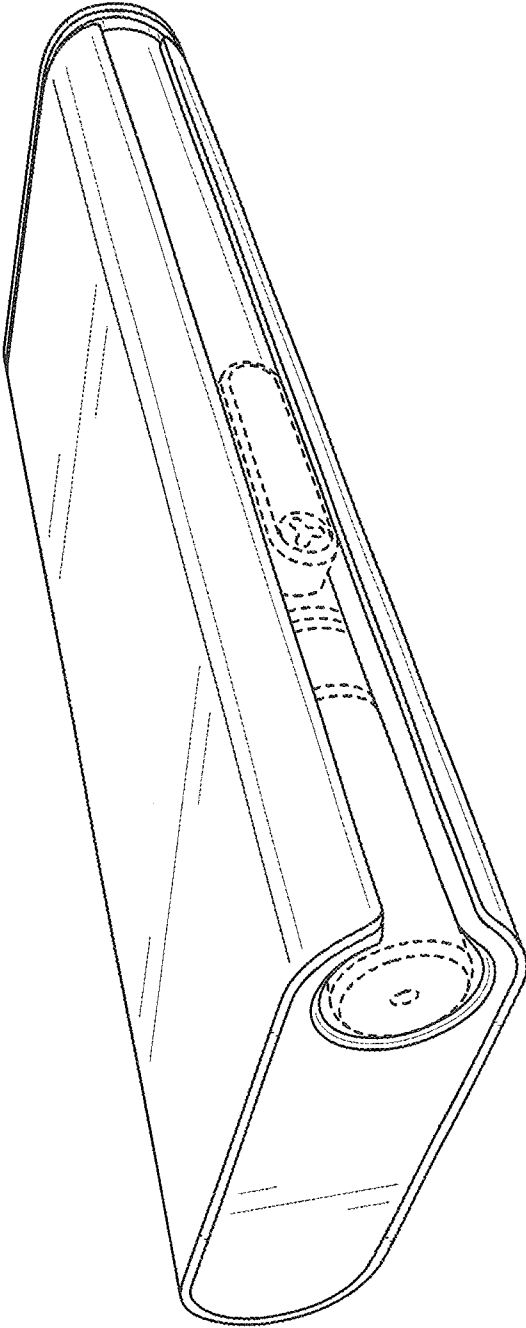


FIG. 2

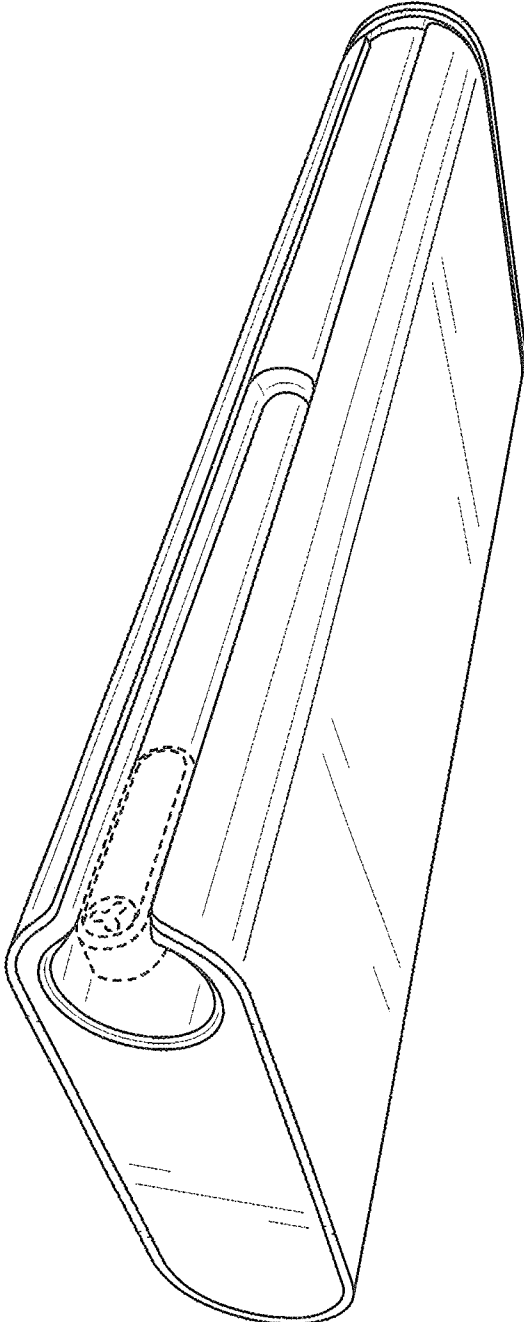


FIG. 3

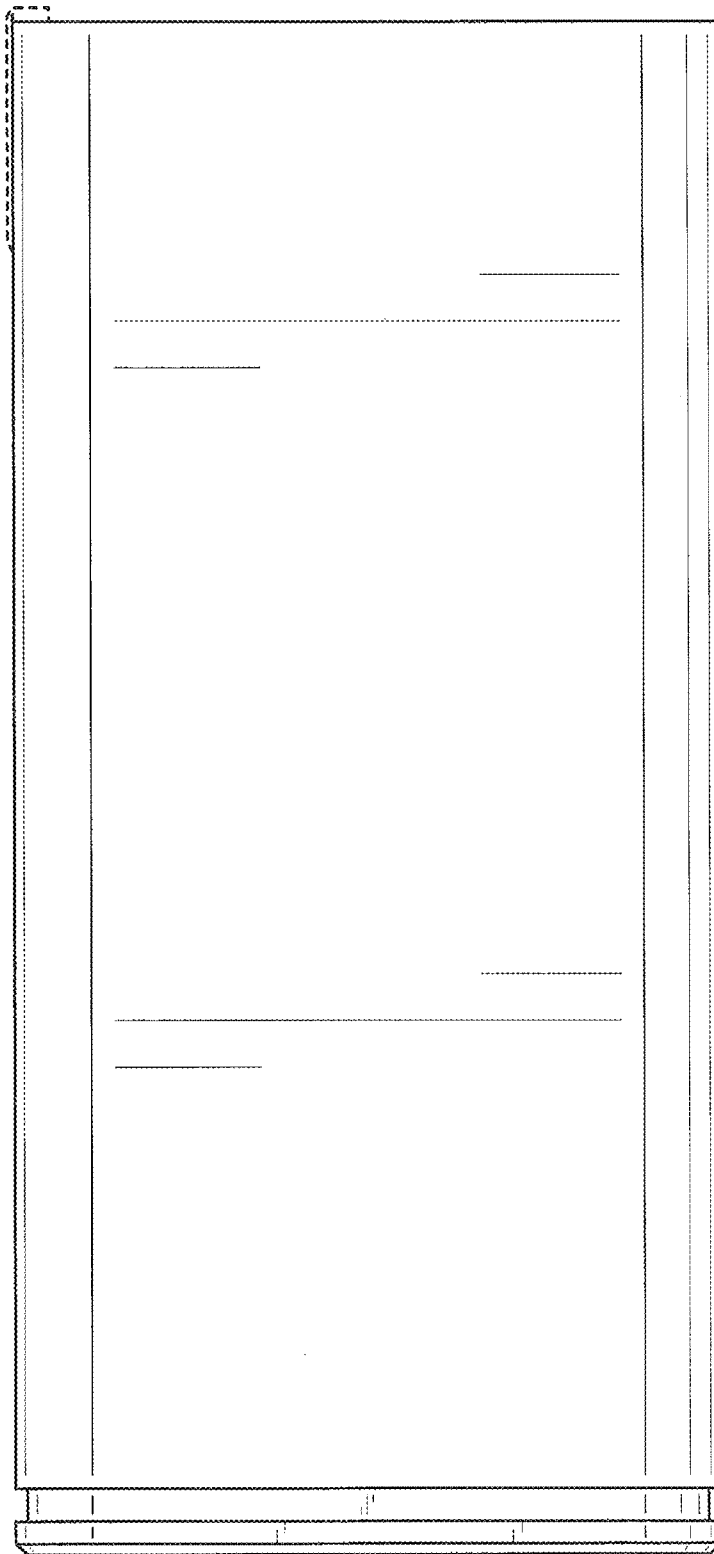


FIG. 4

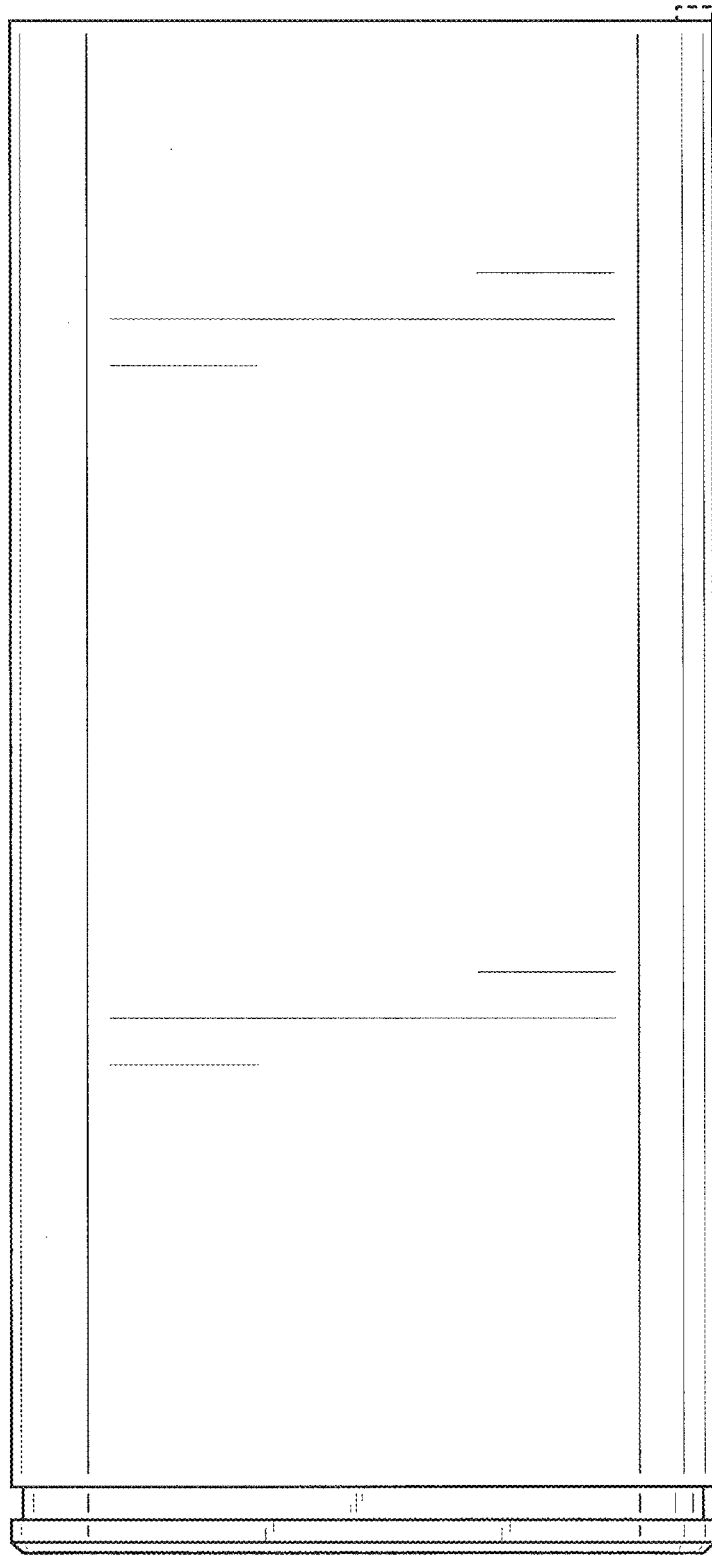


FIG. 5

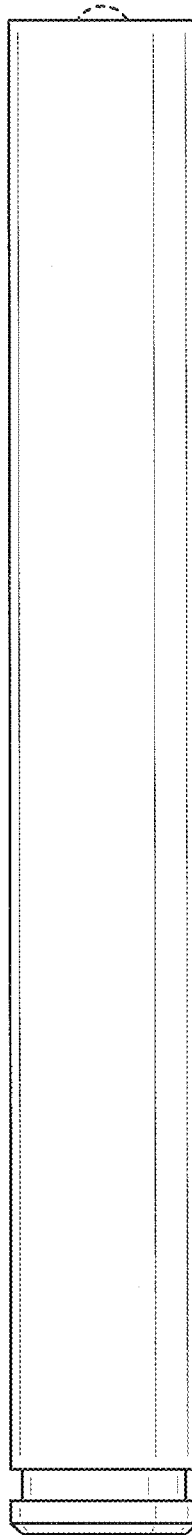


FIG. 6

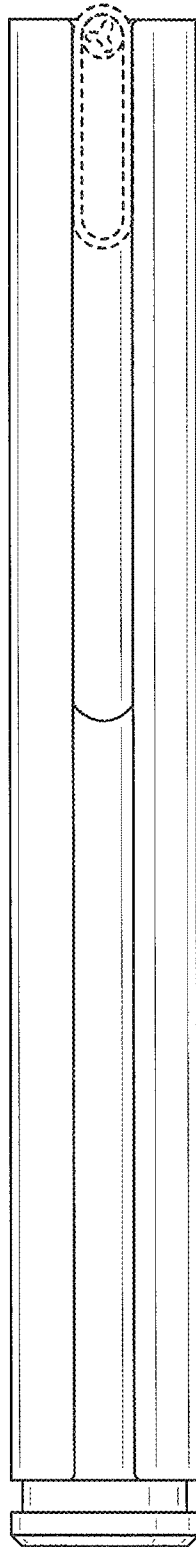


FIG. 7

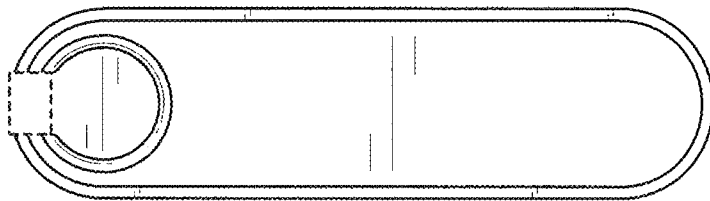


FIG. 8

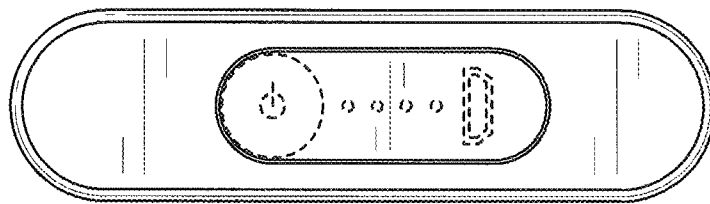


FIG. 9

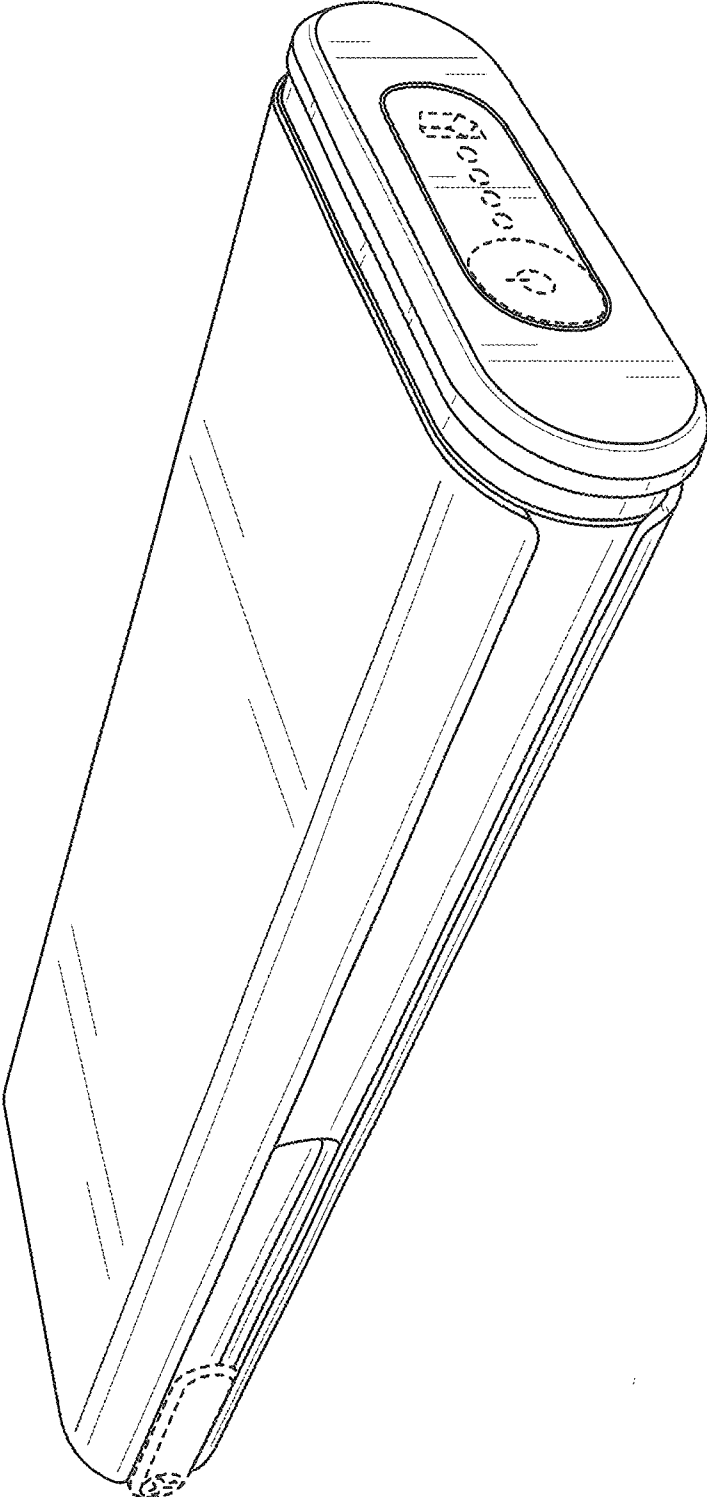


FIG. 10

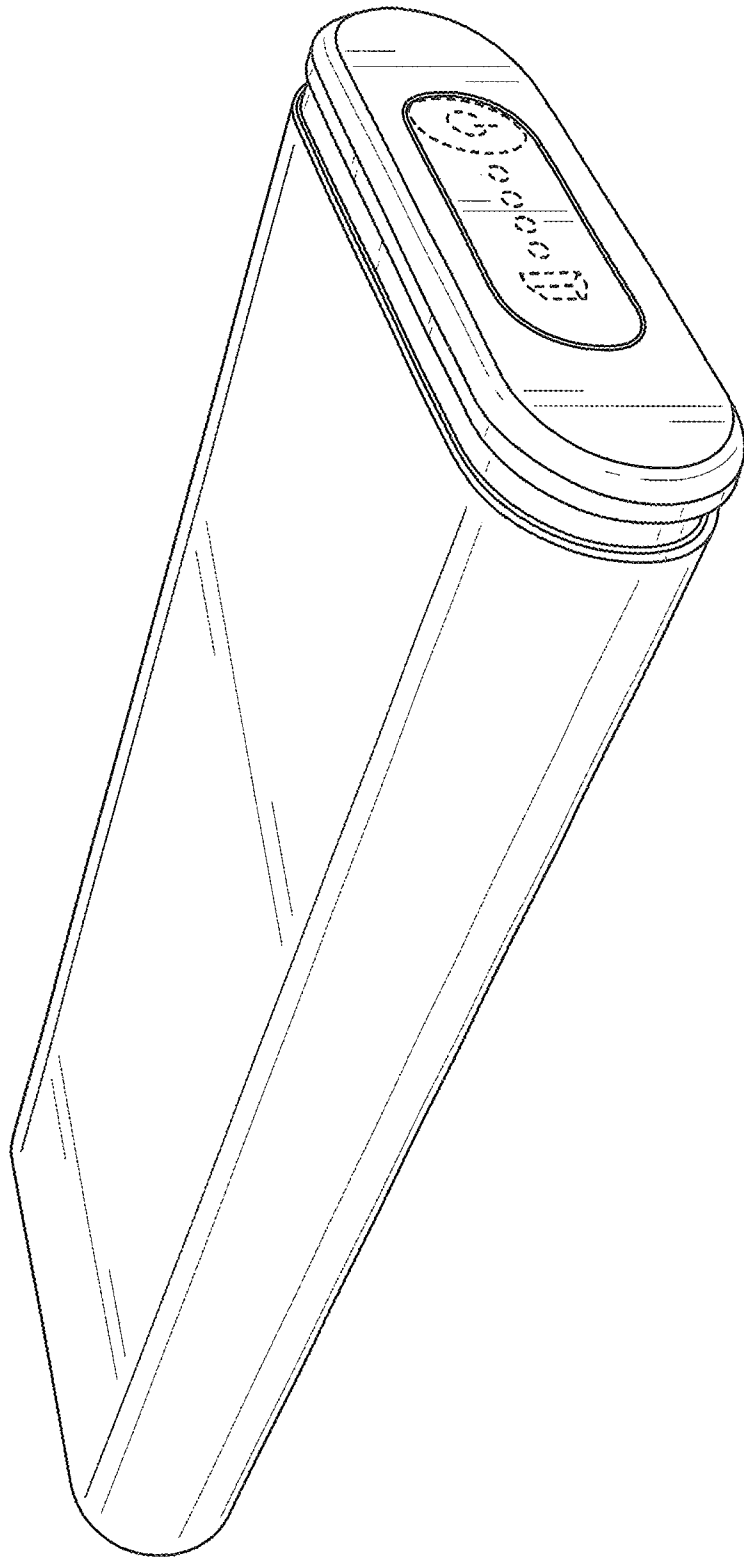


FIG. 11

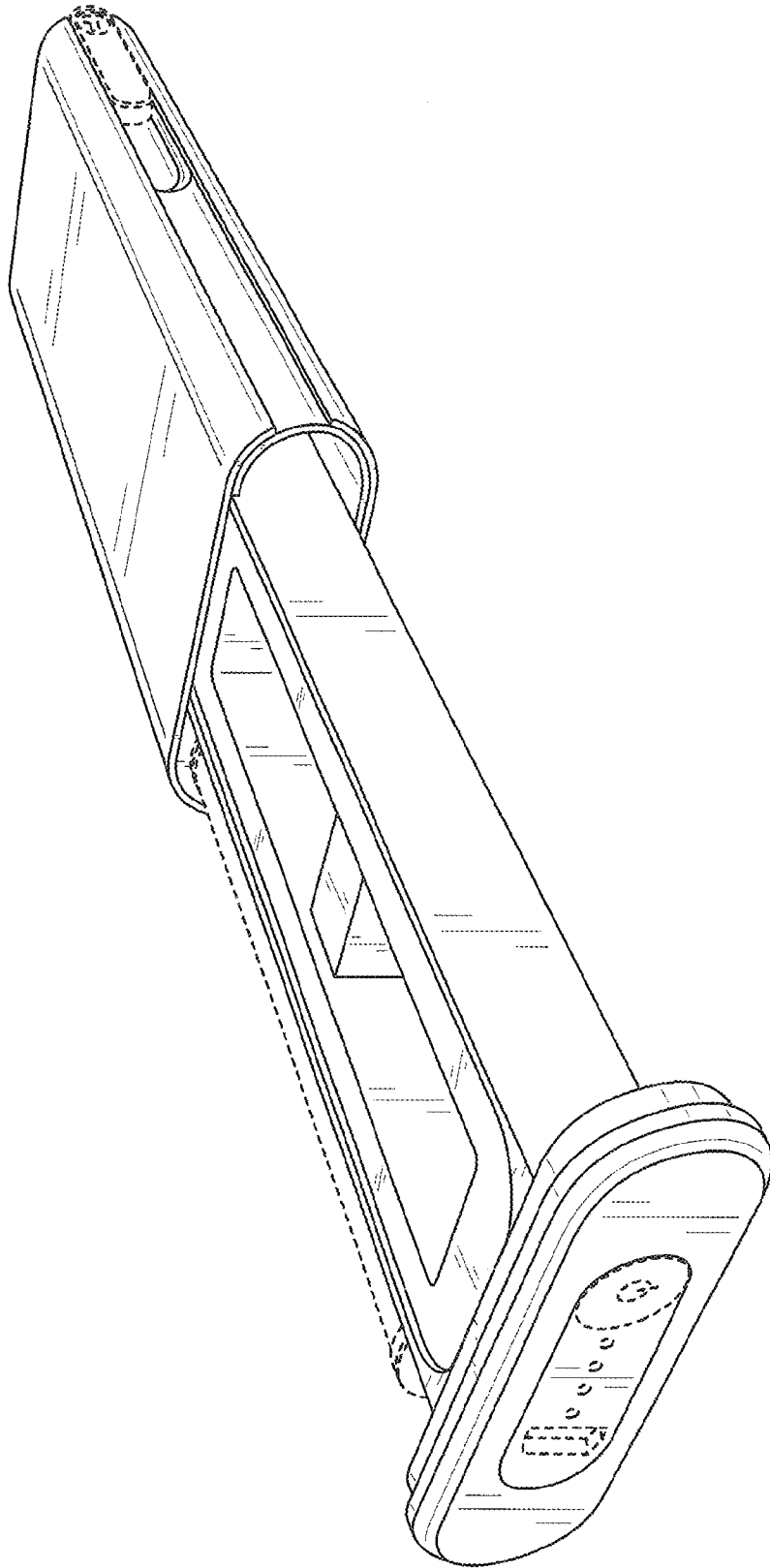


FIG. 12

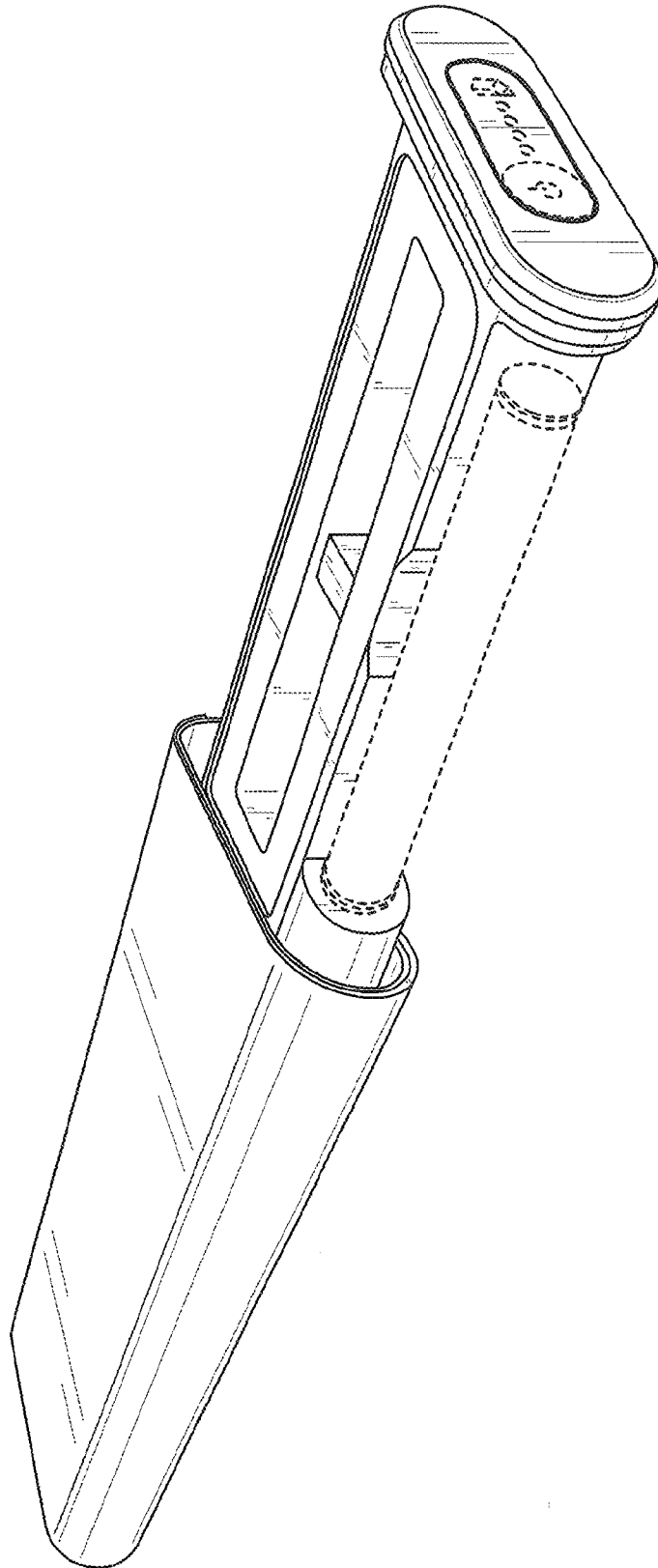


FIG. 13

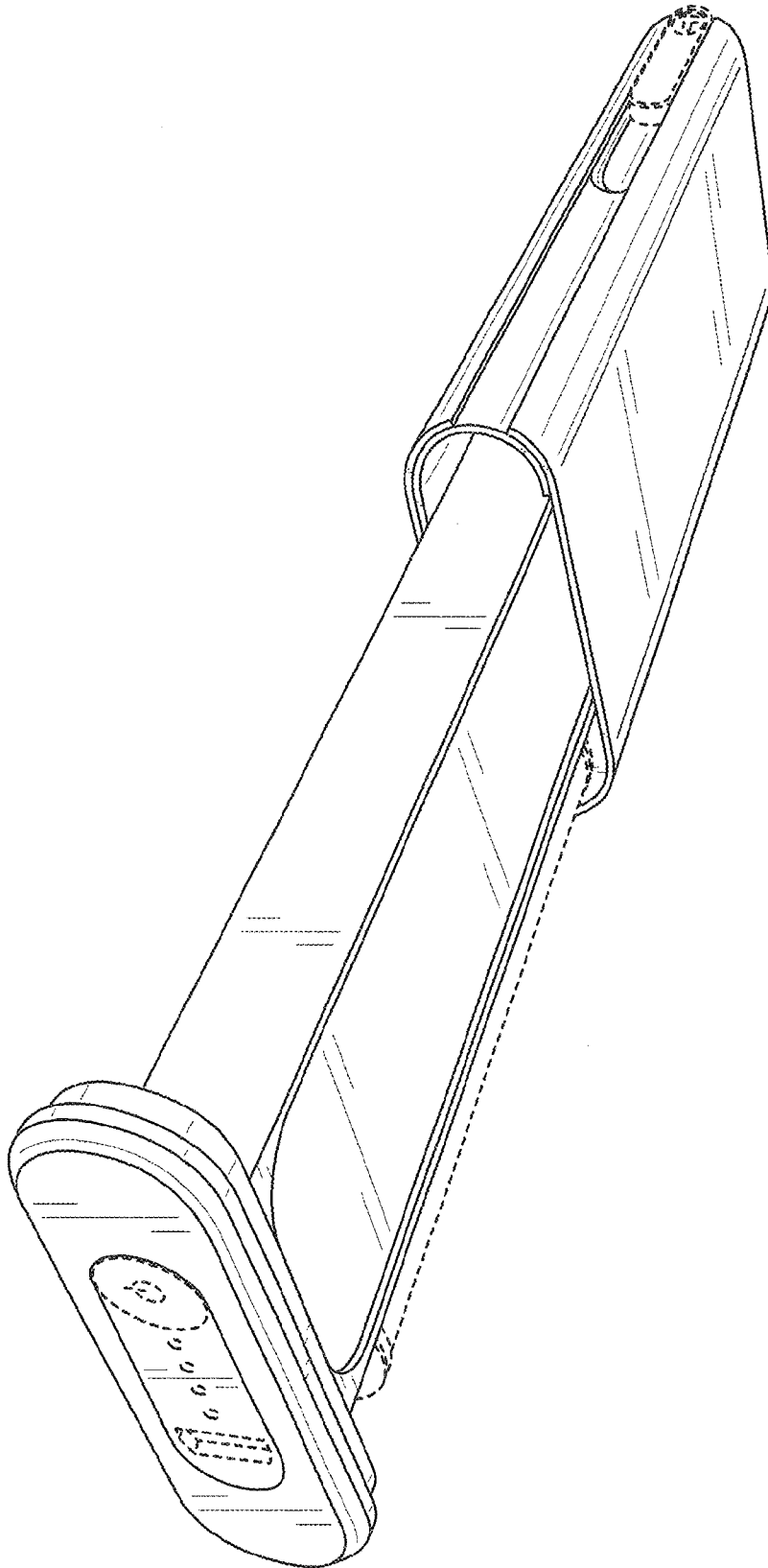


FIG. 14

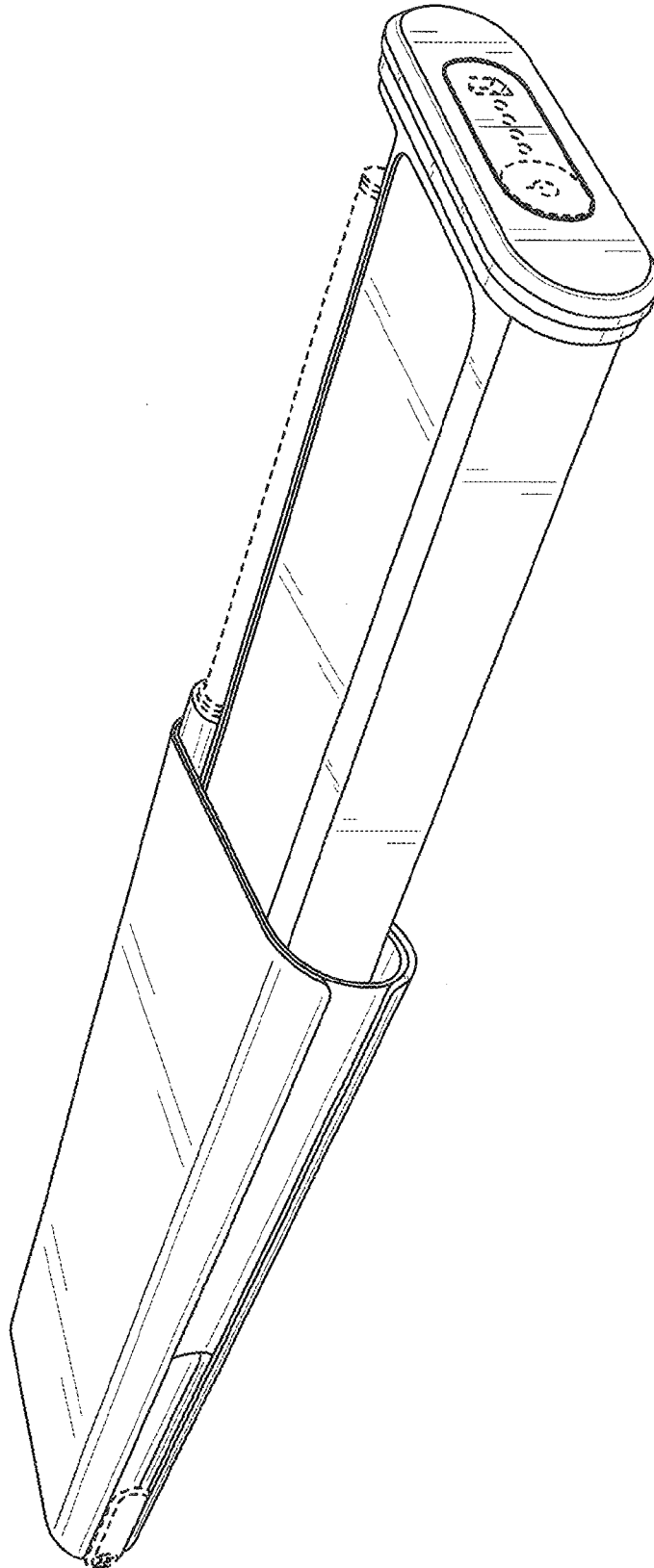


FIG. 15

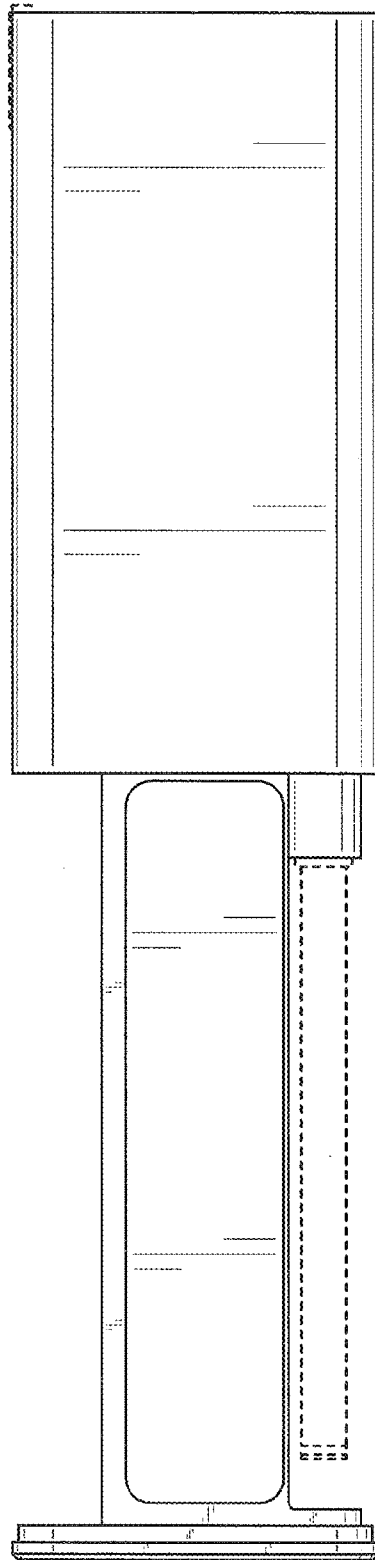


FIG. 16

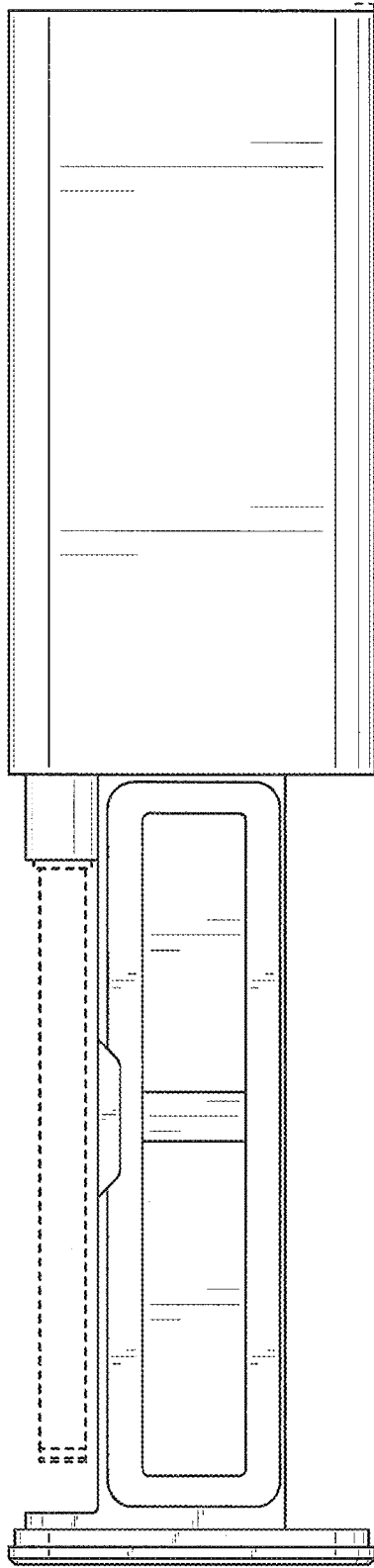


FIG. 17



FIG. 18



FIG. 19

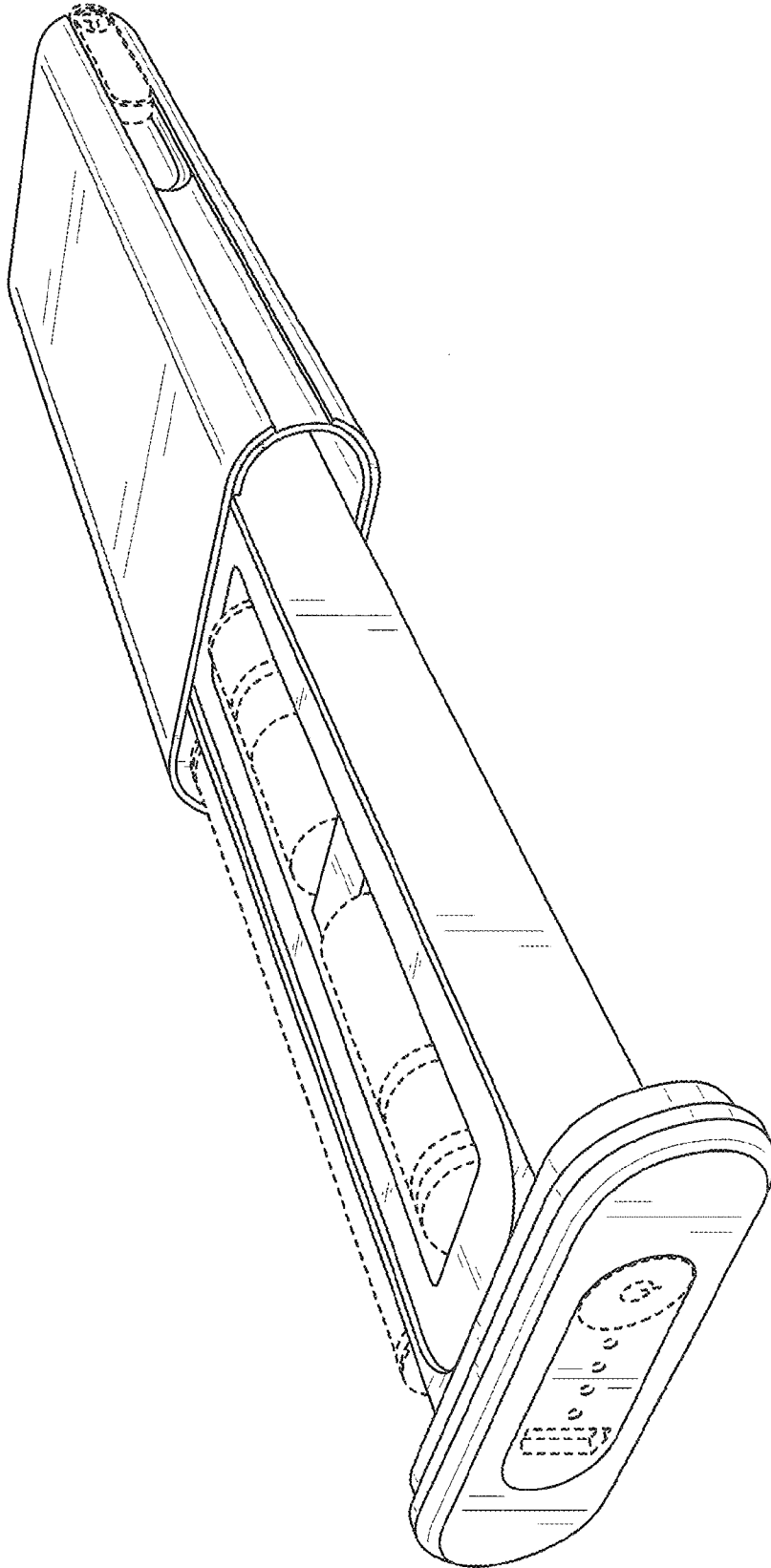


FIG. 20

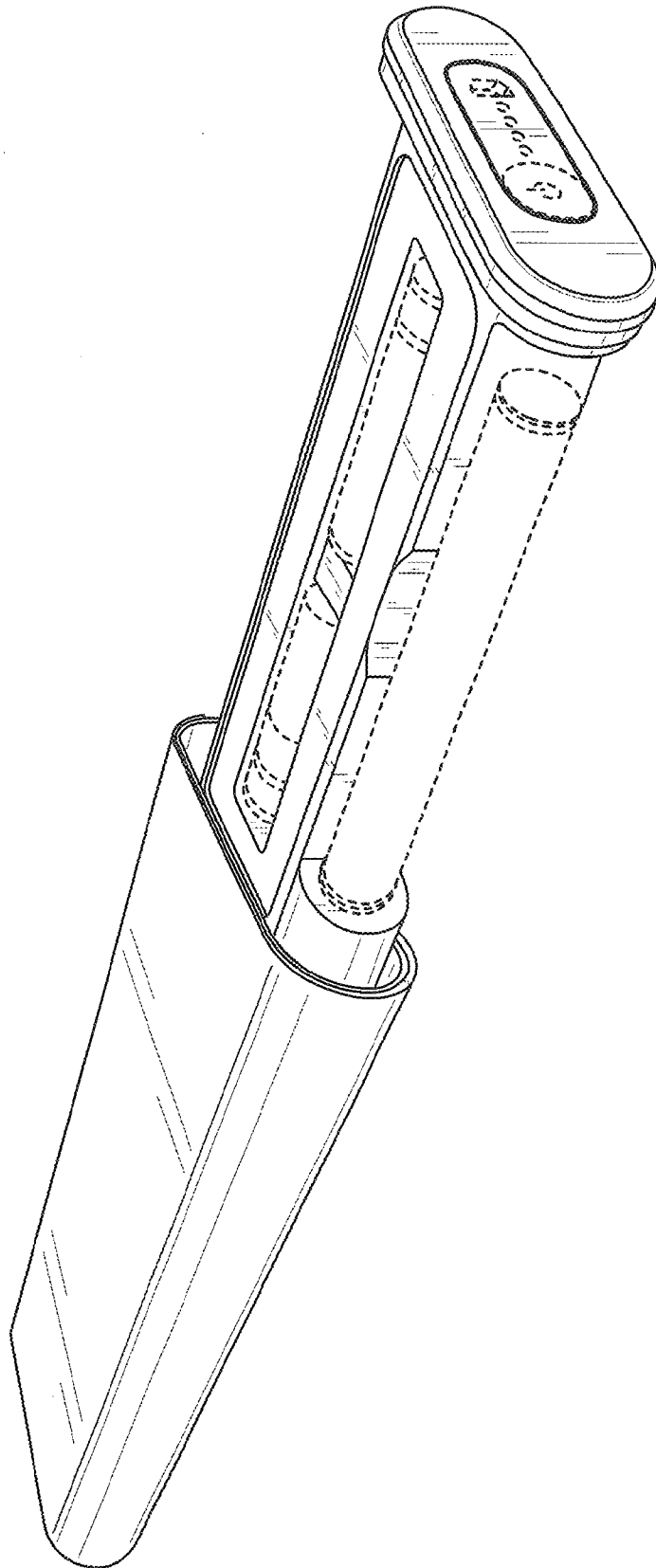


FIG. 21