



US00D697340S

(12) **United States Design Patent**  
**Vardaro**

(10) **Patent No.:** **US D697,340 S**

(45) **Date of Patent:** **\*\* Jan. 14, 2014**

(54) **DEVICE FOR DISPLAYING PRODUCTS**

(71) Applicant: **International Visual Corporation Inc.**,  
Montreal (CA)

(72) Inventor: **Nicola Vardaro**, Montreal (CA)

(73) Assignee: **International Visual Corporation Inc.**,  
Montreal (CA)

(\*\*) Term: **14 Years**

(21) Appl. No.: **29/436,576**

(22) Filed: **Nov. 7, 2012**

(51) **LOC (10) Cl.** ..... **06-06**

(52) **U.S. Cl.**  
USPC ..... **D6/675.1**

(58) **Field of Classification Search**  
USPC ..... D6/396-397, 399-400, 449-451,  
D6/467-469, 672-673, 675-675.1;  
D24/227; D19/75-77; 211/71.01,  
211/85.18, 85.5; 206/9

See application file for complete search history.

(56) **References Cited**

**U.S. PATENT DOCUMENTS**

D221,220 S *	7/1971	Emmitt	.....	D24/227
D293,179 S *	12/1987	Balisteri	.....	D6/474
D297,192 S *	8/1988	Mixon et al.	.....	D6/467
D315,460 S *	3/1991	Sorce, Jr.	.....	D6/469
D367,592 S *	3/1996	Newport	.....	D7/701
5,511,673 A *	4/1996	Folk	.....	211/70.6
D390,727 S *	2/1998	Ferry	.....	D6/469
5,759,644 A *	6/1998	Stanley	.....	
D396,363 S *	7/1998	Skrum	.....	D6/469

D436,377 S *	1/2001	Young et al.	.....	D19/78
D460,295 S *	7/2002	Fissell et al.	.....	D6/467
D488,603 S *	4/2004	Bardenhagen-Shuster	....	D32/58
D572,043 S *	7/2008	Suzuki	.....	D6/457
D588,139 S *	3/2009	Fujino et al.	.....	D14/447
D614,617 S *	4/2010	Pepper et al.	.....	D14/336
D640,254 S *	6/2011	Pepper et al.	.....	D14/336
D644,042 S *	8/2011	Tower	.....	D6/467

**FOREIGN PATENT DOCUMENTS**

GB	2384754 A	8/2003
GB	2387355 A	10/2003
GB	2464828 A	5/2010
WO	03009586 A1	1/2003

\* cited by examiner

*Primary Examiner* — Kelley Donnelly

(74) *Attorney, Agent, or Firm* — Goudreau Gage Dubuc;  
Gonzalo Lavin

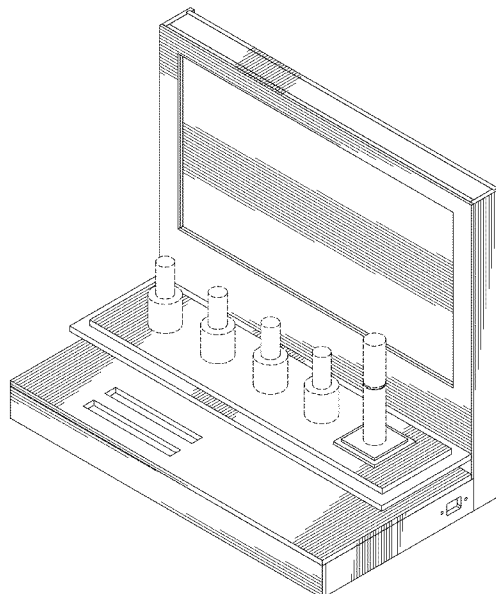
(57) **CLAIM**

The ornamental design for an “device for displaying products”, as shown and described.

**DESCRIPTION**

FIG. 1 is a perspective view of a device for displaying products;  
FIG. 2 is a front view thereof;  
FIG. 3 is a top plan view thereof;  
FIG. 4 is a right side view thereof;  
FIG. 5 is a left side view thereof;  
FIG. 6 is a back view thereof; and,  
FIG. 7 is a bottom view thereof.

**1 Claim, 4 Drawing Sheets**



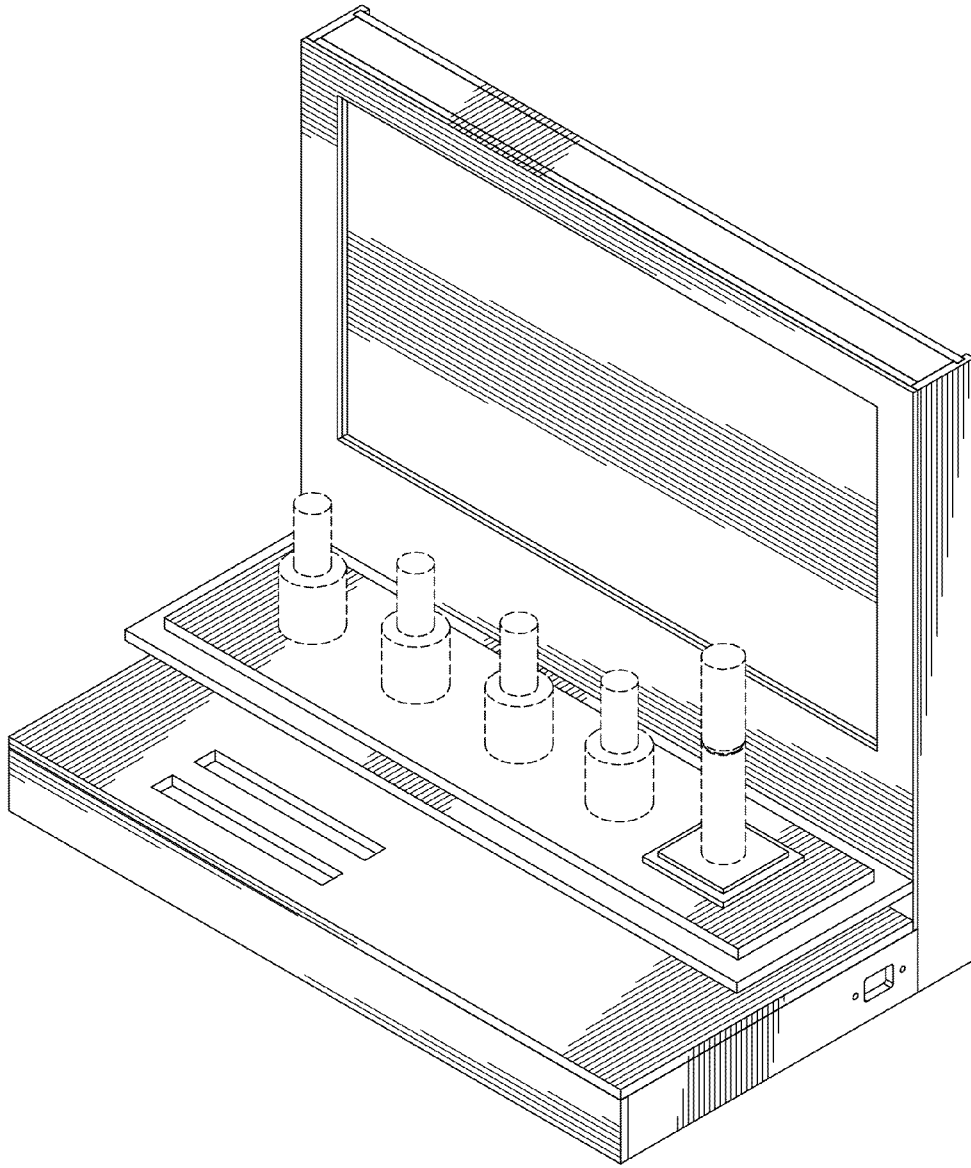


FIG. 1

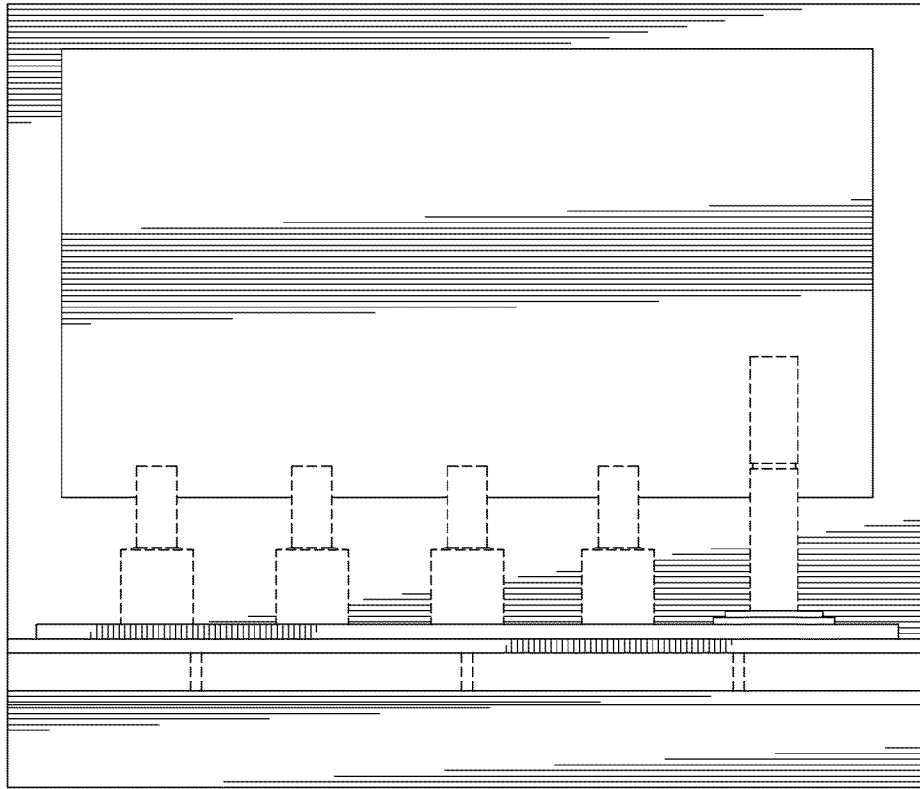


FIG. 2

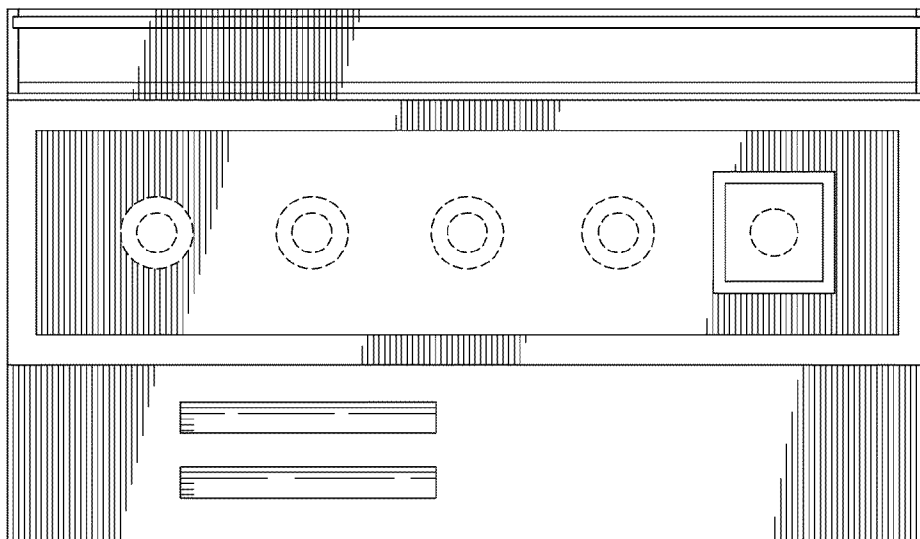


FIG. 3

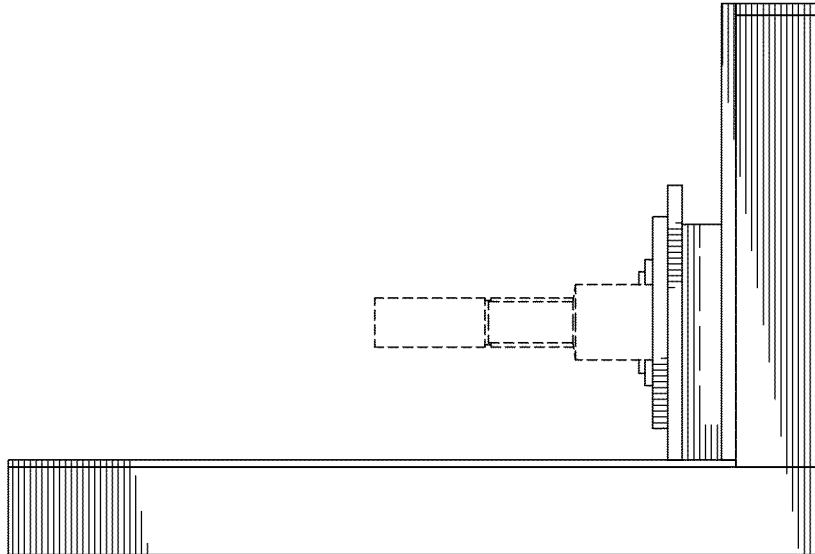


FIG. 5

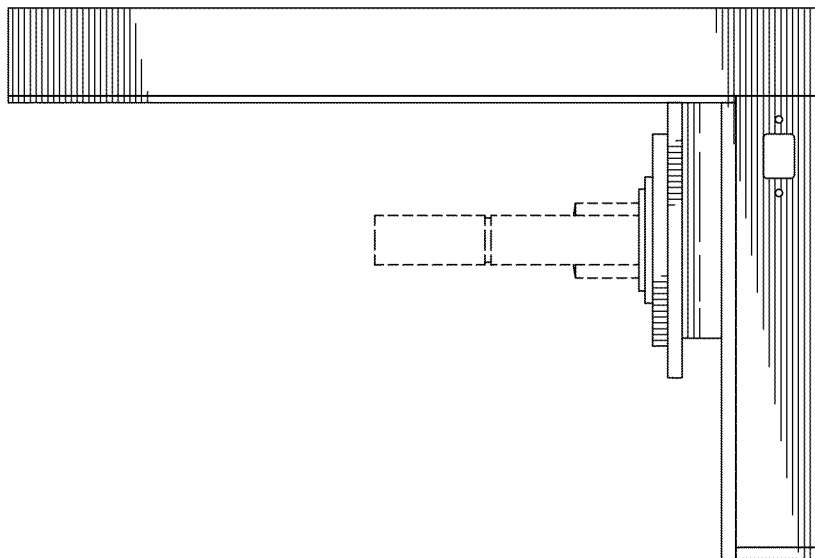


FIG. 4

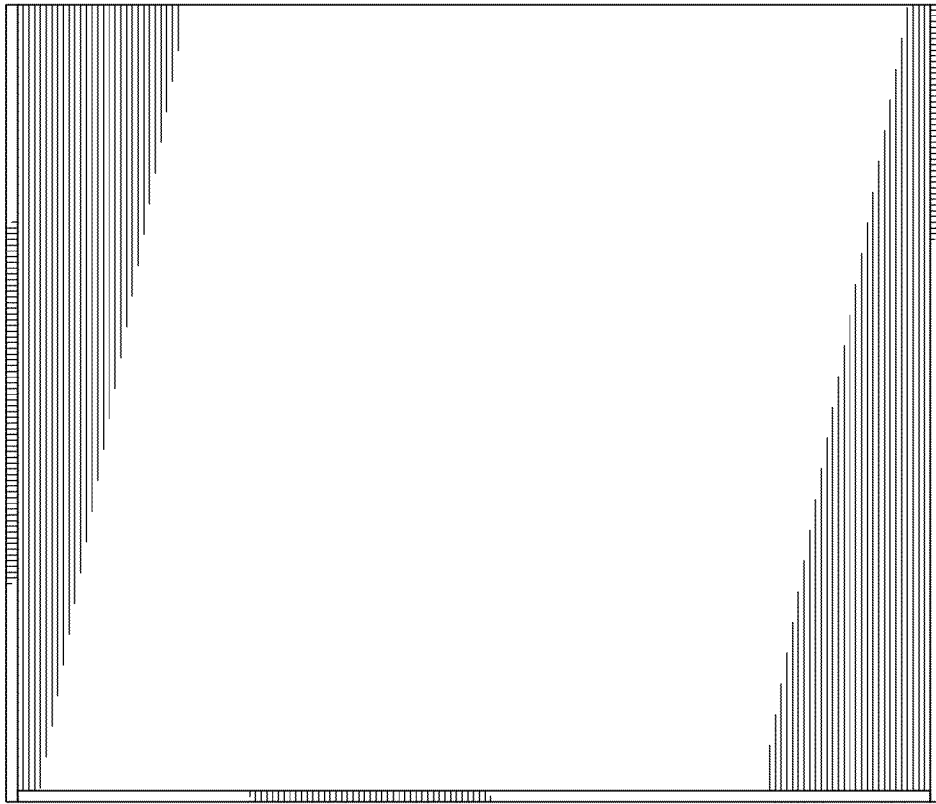


FIG. 6

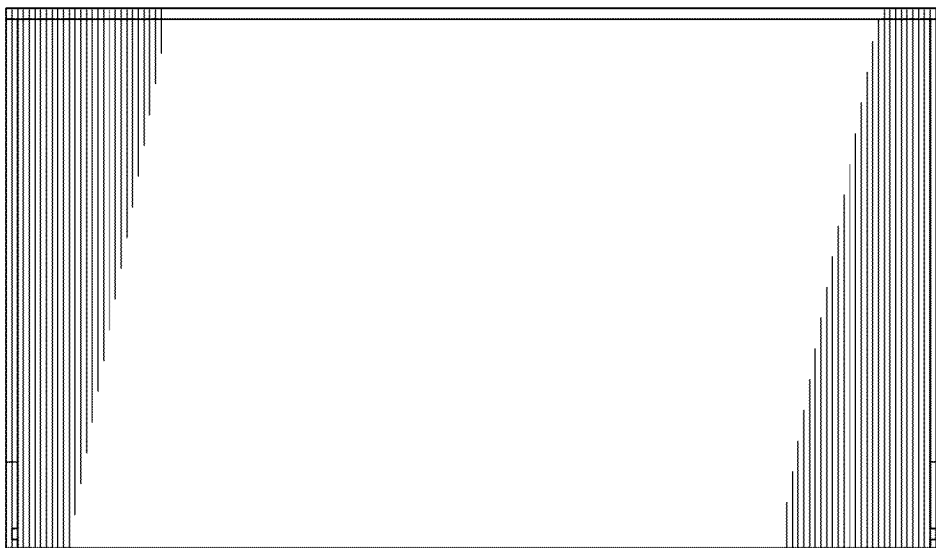


FIG. 7