



US00D473812S

(12) **United States Design Patent**  
Itzkowitz

(10) **Patent No.:** **US D473,812 S**

(45) **Date of Patent:** **\*\* Apr. 29, 2003**

(54) **FINGER RING**

(76) **Inventor:** **Israel Itzkowitz**, 4952 Placida Ave.,  
No. Hollywood, Los Angeles, CA (US)  
91601

(\*\*) **Term:** **14 Years**

(21) **Appl. No.:** **29/170,145**

(22) **Filed:** **Nov. 1, 2002**

(51) **LOC (7) Cl.** ..... **11-01**

(52) **U.S. Cl.** ..... **D11/36**

(58) **Field of Search** ..... D11/3, 4, 26-39,  
D11/50, 70; 63/3, 15, 15.1, 15.2, 15.3,  
15.4, 15.45, 15.5, 15.56, 15.6, 15.7, 15.8,  
15.9, 26-28

(56) **References Cited**

**U.S. PATENT DOCUMENTS**

D40,702 S	5/1910	Meyer	
1,064,152 A	6/1913	Meyer	
D50,128 S	1/1917	Greenberg	
1,293,038 A	* 2/1919	Cambell	63/26
D57,338 S	3/1921	Hookaylo	
D59,665 S	11/1921	Mayer	
2,150,446 A	* 3/1939	Karlan	63/15
D115,283 S	* 6/1939	Axel	D11/34
2,200,841 A	5/1940	Gaertner	
2,584,207 A	2/1952	Holl	
D189,758 S	* 2/1961	Gibeault	D11/36
3,653,227 A	* 4/1972	Ricci	63/15.5
3,662,448 A	5/1972	Heckel	
D232,653 S	* 9/1974	Haas	D11/36
4,697,437 A	* 10/1987	D'Annunzio	63/15.5
4,794,766 A	* 1/1989	Schunk et al.	63/15
D317,883 S	* 7/1991	Perrin	D11/36

D332,235 S	* 1/1993	Bonchek	D11/35
D348,022 S	* 6/1994	Sandberg	D11/28
D374,410 S	* 10/1996	Tanory, Jr.	D11/34
D405,383 S	* 2/1999	Dickhaut	D11/26
D405,384 S	* 2/1999	Dickhaut	D11/26
5,868,008 A	* 2/1999	Yamauta et al.	63/15
D421,404 S	* 3/2000	Canale	D11/26
D432,938 S	* 10/2000	Vardakis et al.	D11/26
D439,191 S	* 3/2001	Wolf	D11/26
D454,315 S	* 3/2002	Ambar	D11/34
D460,380 S	7/2002	Cohen	
6,467,308 B2	10/2002	Butler	
D466,040 S	* 11/2002	Turner	D11/35

**FOREIGN PATENT DOCUMENTS**

JP 402098303 A 4/1990

\* cited by examiner

*Primary Examiner*—Cathy Anne MacCormac

(74) *Attorney, Agent, or Firm*—Howard C. Miskin, Esq.;  
Gloria Tsui-Yip, Esq.

(57) **CLAIM**

The ornamental design for finger ring, shown and described.

**DESCRIPTION**

FIG. 1 is a perspective view of my new finger ring;  
FIG. 2 is a left side view thereof, the right side view being  
identical;  
FIG. 3 is a front elevational view thereof;  
FIG. 4 is a top plan view thereof; and,  
FIG. 5 is a bottom plan thereof.  
The broken lines showing the gemstone in FIGS. 1-5 are for  
illustrative purposes only and form no part of the claimed  
design.

**1 Claim, 4 Drawing Sheets**



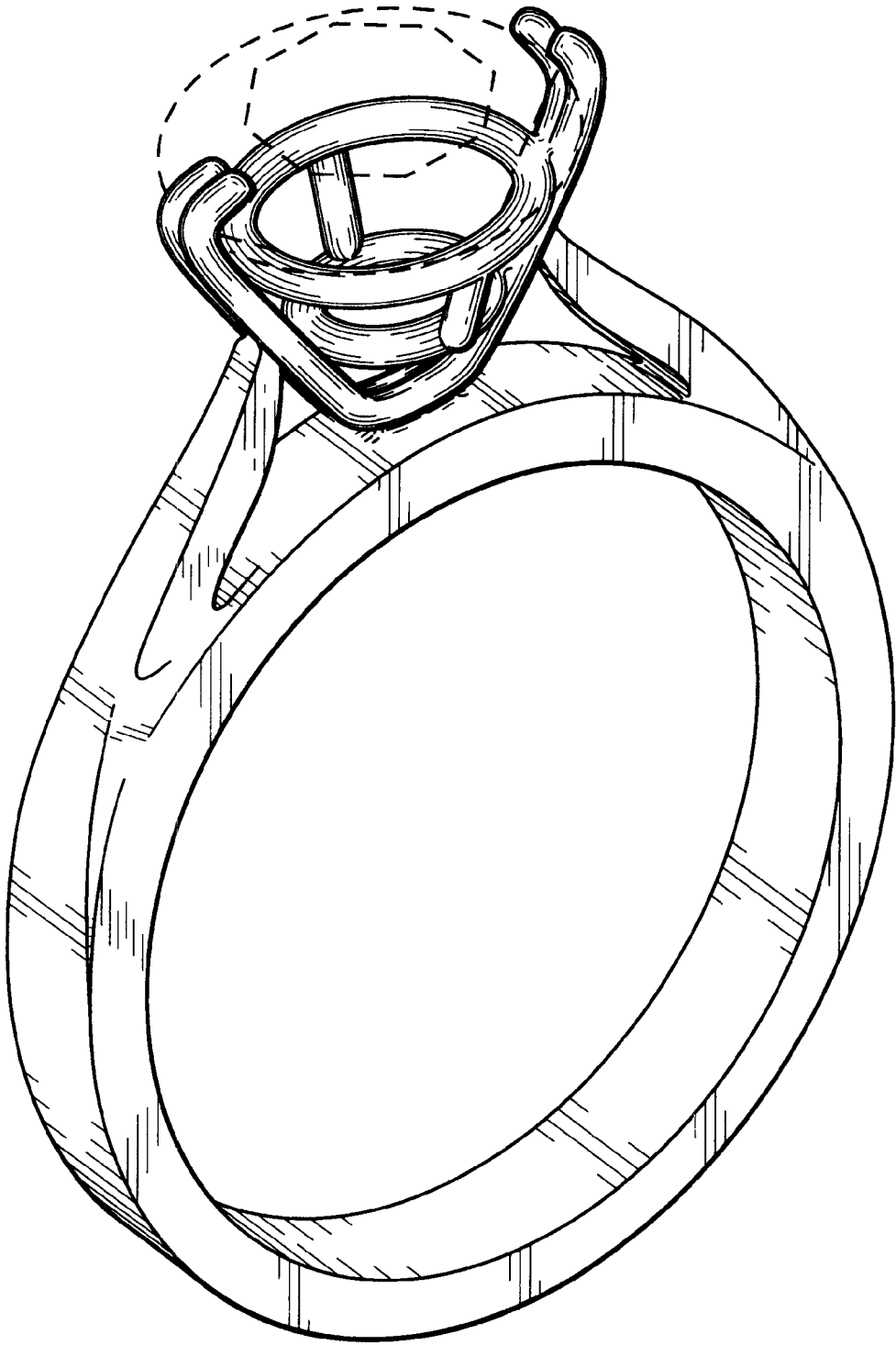


FIG. 1

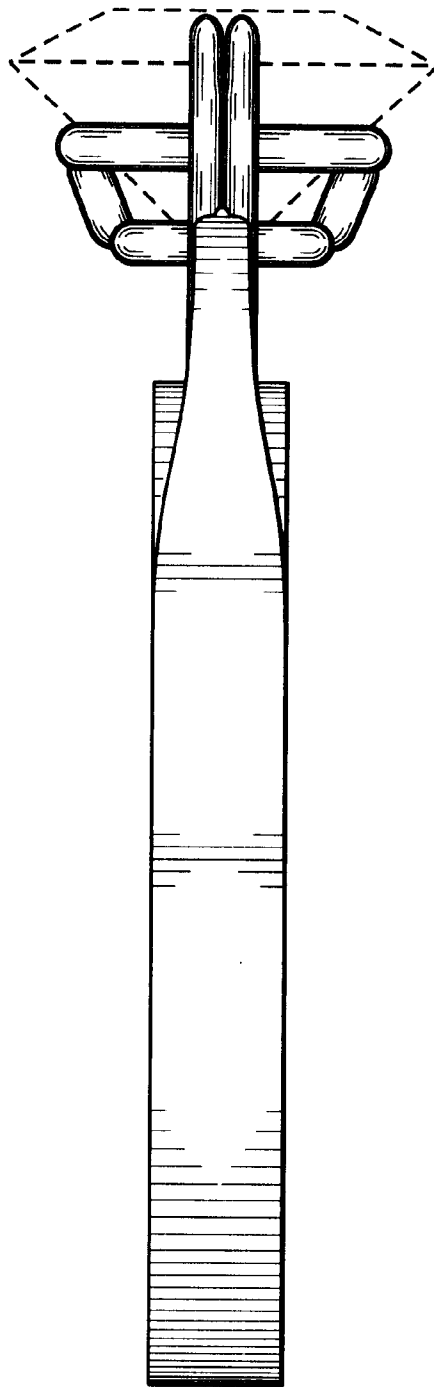


FIG. 2

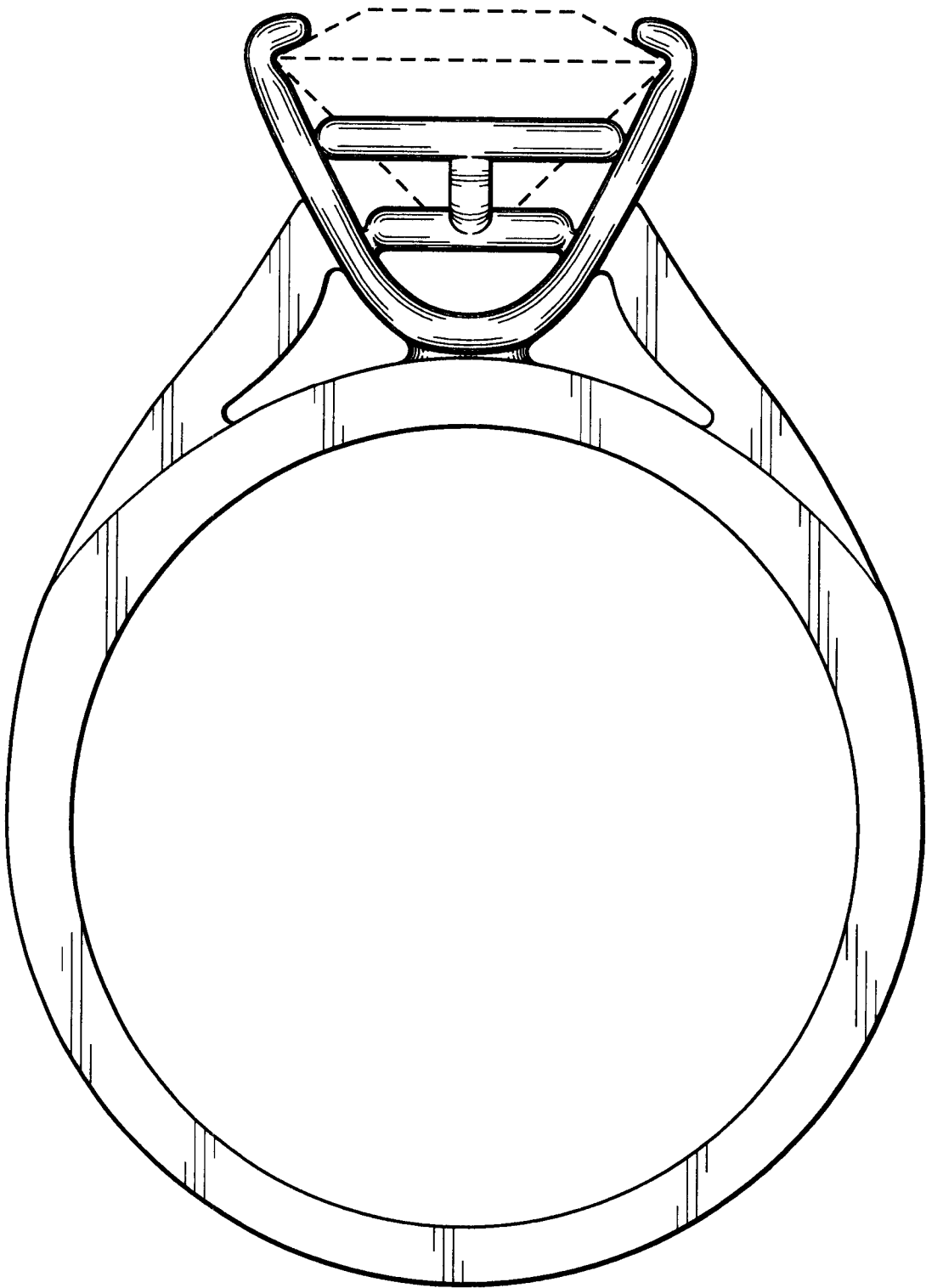


FIG. 3

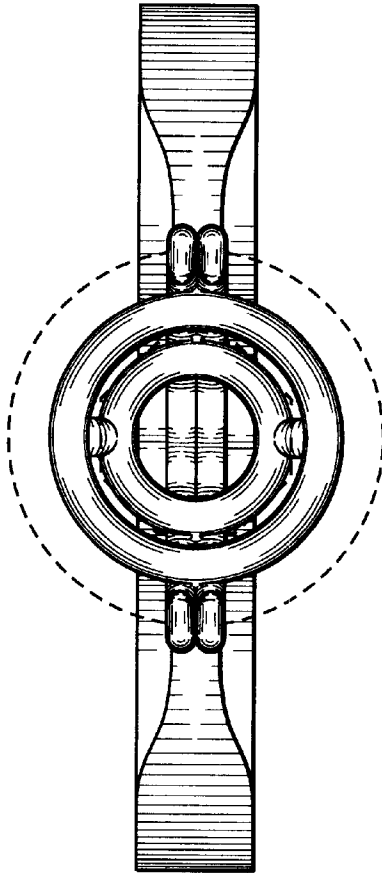


FIG. 4

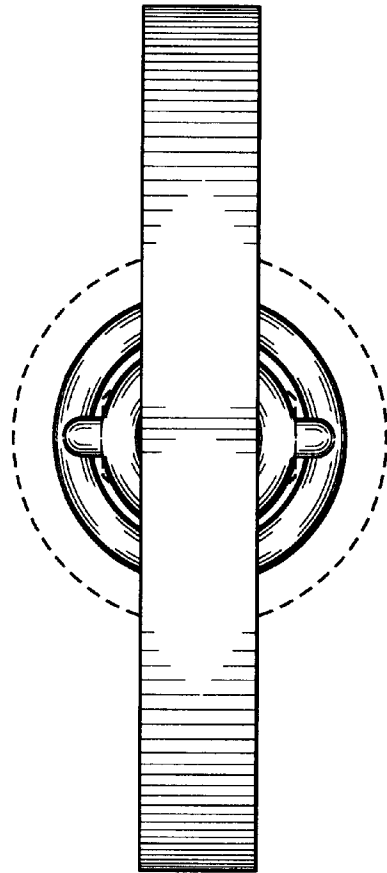


FIG. 5