



US00D834526S

(12) **United States Design Patent**
Lambrecht

(10) **Patent No.:** **US D834,526 S**

(45) **Date of Patent:** **** Nov. 27, 2018**

(54) **CONNECTOR INTERFACE FOR A CABLE**

(71) Applicant: **Intuitive Surgical Operations, Inc.**,
Sunnyvale, CA (US)

(72) Inventor: **Bram Gilbert Antoon Lambrecht**,
Redwood City, CA (US)

(73) Assignee: **INTUITIVE SURGICAL
OPERATIONS, INC.**, Sunnyvale, CA
(US)

(**) Term: **15 Years**

(21) Appl. No.: **29/635,150**

(22) Filed: **Jan. 29, 2018**

Related U.S. Application Data

(62) Division of application No. 29/571,129, filed on Jul.
14, 2016, now Pat. No. Des. 810,028.

(51) **LOC (11) Cl.** **13-03**

(52) **U.S. Cl.**

(58) **Field of Classification Search**
USPC **D13/147**

USPC D13/133, 146, 147, 154, 184, 199;
D24/127, 129, 231
CPC H01R 12/58; H01R 12/592; H01R 12/616;
H01R 12/777; H01R 12/778; H01R
13/26; H01R 13/28; H01R 13/6586;
H01R 13/6595

See application file for complete search history.

(56) **References Cited**

U.S. PATENT DOCUMENTS

2,175,768 A 10/1939 Anthony
2,249,618 A 7/1941 Perkins
4,284,312 A 8/1981 Patchett et al.
D319,625 S 9/1991 Yasuhiro
5,350,314 A 9/1994 Saba

D460,046 S 7/2002 Wood
D460,049 S 7/2002 McCoy
D487,724 S 3/2004 Hsiao
6,702,617 B1 3/2004 Clement et al.
D488,130 S 4/2004 Hsiao
D512,378 S 12/2005 Dobler
6,997,723 B2 2/2006 Lee
D552,034 S 10/2007 Hobson et al.
D563,883 S * 3/2008 Dever D13/147
D563,885 S 3/2008 Dever
D565,981 S 4/2008 Radecke et al.
D566,046 S 4/2008 Gabel et al.
D585,380 S 1/2009 So
D603,345 S 11/2009 Melzner et al.
8,162,684 B1 * 4/2012 Sochor A61N 1/3754
439/289

(Continued)

OTHER PUBLICATIONS

U.S. Appl. No. 61/721,870, filed Nov. 2, 2012.

(Continued)

Primary Examiner — Daniel Bui

(74) *Attorney, Agent, or Firm* — Jones Robb, PLLC

(57)

CLAIM

The ornamental design for a connector interface for a cable,
as shown and described.

DESCRIPTION

FIG. 1 is a top, left side perspective view of a connector
interface for a cable of my new design.

FIG. 2 is top perspective view thereof.

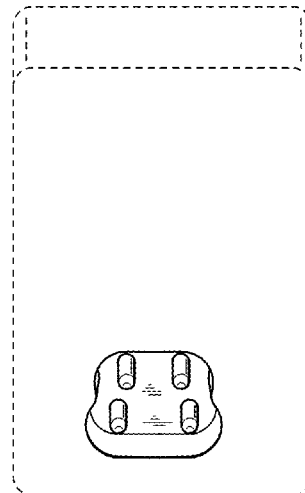
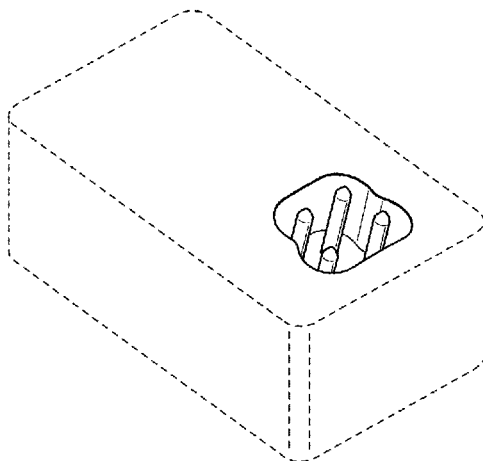
FIG. 3 is a front, top perspective view thereof; and,

FIG. 4 is top view thereof.

Shade lines in the figures show curvature and not surface
ornamentation.

Portions of the figures depicted in broken lines form no part
of the claimed design. Views that are not depicted show no
part of the claimed design.

1 Claim, 1 Drawing Sheet



(56)

References Cited

U.S. PATENT DOCUMENTS

D684,928	S	6/2013	Kreitzer et al.	
D686,579	S	7/2013	Fujioka	
D690,266	S *	9/2013	Dachs, II D13/133
D691,091	S *	10/2013	Dachs, II D13/146
D703,612	S *	4/2014	Dachs, II D13/146
D810,028	S *	2/2018	Lambrecht D13/147
D810,692	S *	2/2018	Lambrecht D13/147
2002/0049004	A1	4/2002	Davis et al.	
2003/0040204	A1	2/2003	Chen et al.	

OTHER PUBLICATIONS

Vertut, Jean and Phillipe Coiffet, Robot Technology: Teleoperation and Robotics Evolution and Development, English translation, Prentice-Hall, Inc., Inglewood Cliffs, NJ, USA 1986, vol. 3A, 332 pages.

* cited by examiner

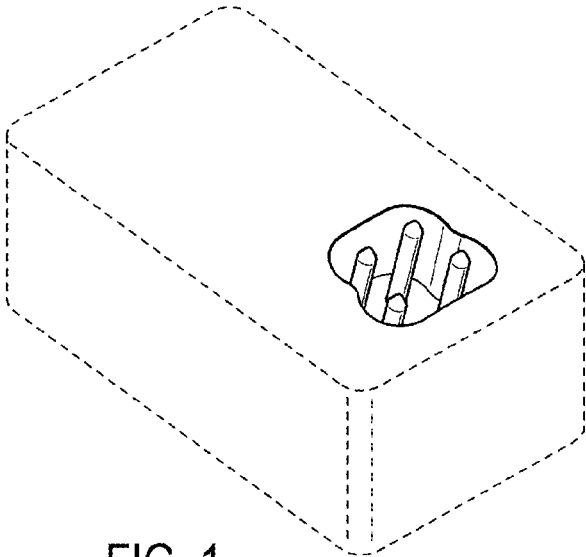


FIG. 1

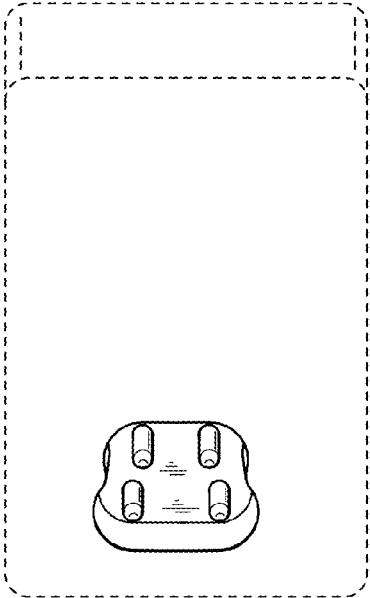


FIG. 2

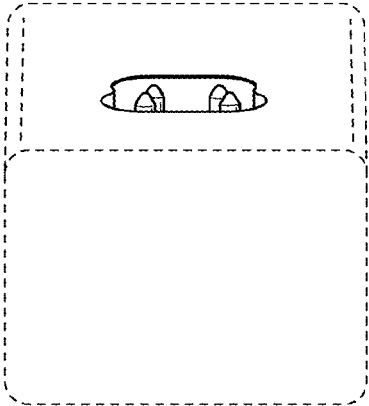


FIG. 3

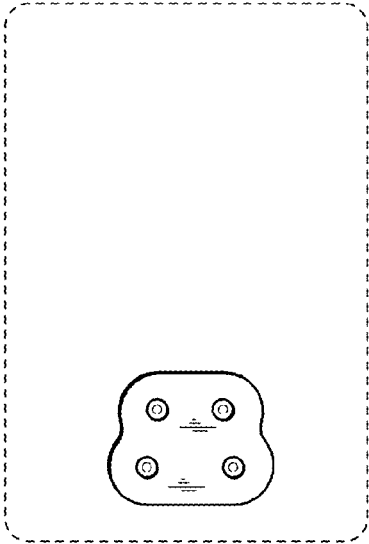


FIG. 4