



US00D854192S

(12) **United States Design Patent**
Rokvic

(10) **Patent No.:** **US D854,192 S**

(45) **Date of Patent:** **** Jul. 16, 2019**

- (54) **BASE SHOE**
- (71) Applicant: **Ilija Rokvic**, Independence, KY (US)
- (72) Inventor: **Ilija Rokvic**, Independence, KY (US)
- (**) Term: **15 Years**
- (21) Appl. No.: **29/596,195**
- (22) Filed: **Mar. 6, 2017**
- (51) **LOC (11) Cl.** **25-01**
- (52) **U.S. Cl.**
USPC **D25/124**
- (58) **Field of Classification Search**
USPC D25/119–126, 136, 164, 199; D8/349,
D8/354, 376, 377, 380, 381, 382;
D6/702, 705, 705.6, 709, 709.2, 712;
D26/138
CPC ... E04F 11/18; E04F 11/1812; E04F 11/1814;
E04F 11/1817; E04F 11/1834; E04F
11/1851; E04F 2011/1819; E04F
2011/1823; E04F 2011/1825; E04F
2011/1831; E04F 19/02; E04F 19/022;
E04F 19/024; E04F 19/026; E04F 19/028;
E04F 19/04; E04F 19/0436; E04F
19/0459; E04F 19/0463; E04F 19/0468;
E04F 19/0481; E04F 19/0486; E04F
19/049; E04F 19/0495; E04F 19/06; E04F
19/061; E04F 19/062; E04F 19/063; E04F
19/064; E04F 19/065; E04F 19/066; E04F
19/067; E04F 19/068; E04C 3/00; E04C
3/005; E04C 3/02; E04C 3/04; E04C
2003/026
See application file for complete search history.

D443,198 S *	6/2001	Snyder	D25/164
6,367,209 B1 *	4/2002	Powers, Jr.	E04C 3/02 52/204.2
6,419,209 B1 *	7/2002	Shepherd	E04F 11/1853 256/24
6,517,056 B2 *	2/2003	Shepherd	E04F 11/1851 256/24
6,964,410 B1 *	11/2005	Hansen	E04F 11/1812 256/24
D545,092 S *	6/2007	Knorring, Jr.	A47F 1/12 D8/377
D589,174 S *	3/2009	Drew, II	D25/199
7,559,536 B1 *	7/2009	Hansen	E04F 11/1851 256/25
D599,193 S *	9/2009	Meyer	D8/354

(Continued)

Primary Examiner — Cynthia Ramirez
Assistant Examiner — L. Martinez
 (74) *Attorney, Agent, or Firm* — Neal O. Willmann

(57) **CLAIM**

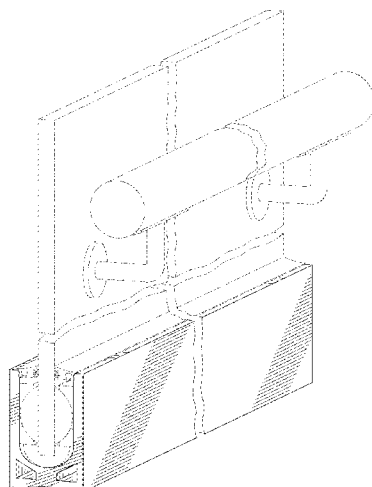
The ornamental design for a base shoe, as shown and described.

DESCRIPTION

FIG. 1 is a perspective view of a base shoe showing my new design in an environment of use;
 FIG. 2 is another perspective view thereof;
 FIG. 3 is a front elevation view thereof, the rear view being identical thereto;
 FIG. 4 is a right side elevation view thereof, the left side elevation view being identical thereto;
 FIG. 5 is a top plan view thereof; and,
 FIG. 6 is a bottom plan view thereof.
 The dash-dot-dot lines in the drawings illustrate environmental subject matter only and form no part of the claimed design.
 The base shoe is shown with a symbolic break in its length. The appearance of any portion of the base shoe between the break lines forms no part of the claimed design.

1 Claim, 6 Drawing Sheets

- (56) **References Cited**
U.S. PATENT DOCUMENTS
4,598,524 A * 7/1986 Cheng E04F 11/1812
248/534
D419,858 S * 2/2000 Bosgoed D25/121



(56)

References Cited

U.S. PATENT DOCUMENTS

D616,568	S *	5/2010	Desrosiers	D25/122
7,730,682	B2 *	6/2010	Nash	E04F 11/1851
				52/127.8
8,181,405	B2 *	5/2012	Nash	E04F 11/1851
				52/127.8
D662,403	S *	6/2012	Page	D25/121
D696,814	S *	12/2013	Matus, Jr.	D26/138
D705,984	S *	5/2014	Klus	D26/138
8,776,477	B2 *	7/2014	Sprague	E04F 11/1851
				52/126.3
8,826,621	B2 *	9/2014	Noble	E04F 11/1851
				52/584.1
8,826,623	B2 *	9/2014	Armstrong	E04C 3/02
				52/656.9
D775,374	S *	12/2016	Walker	D25/126
D798,471	S *	9/2017	Tremaine	D25/119
9,752,327	B2 *	9/2017	Poradzisz	E04F 11/1812
9,777,484	B2 *	10/2017	Header	E04F 11/1853
9,816,276	B2 *	11/2017	Noble	E04F 11/1834
D818,187	S *	5/2018	Trzesniowski	D26/138
10,030,393	B2 *	7/2018	Spence	E04F 11/1812

* cited by examiner

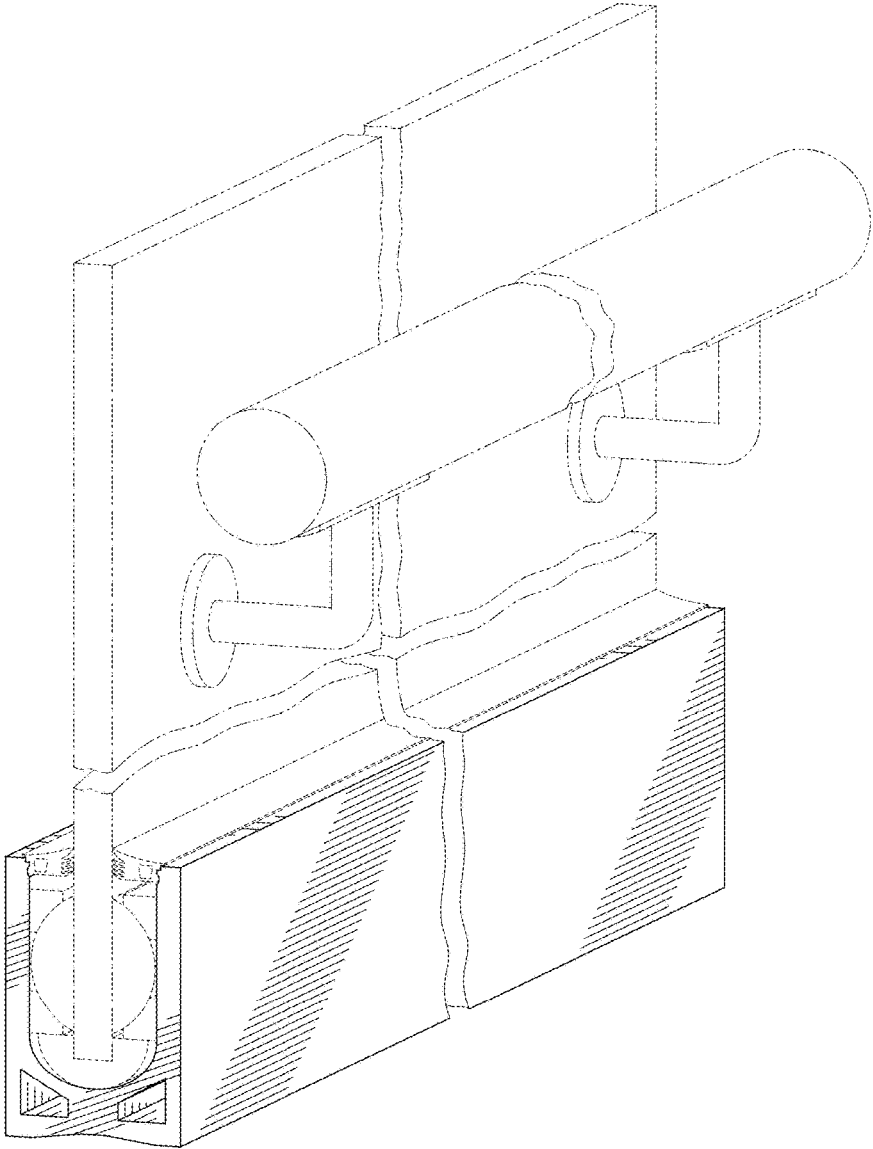


Fig.1

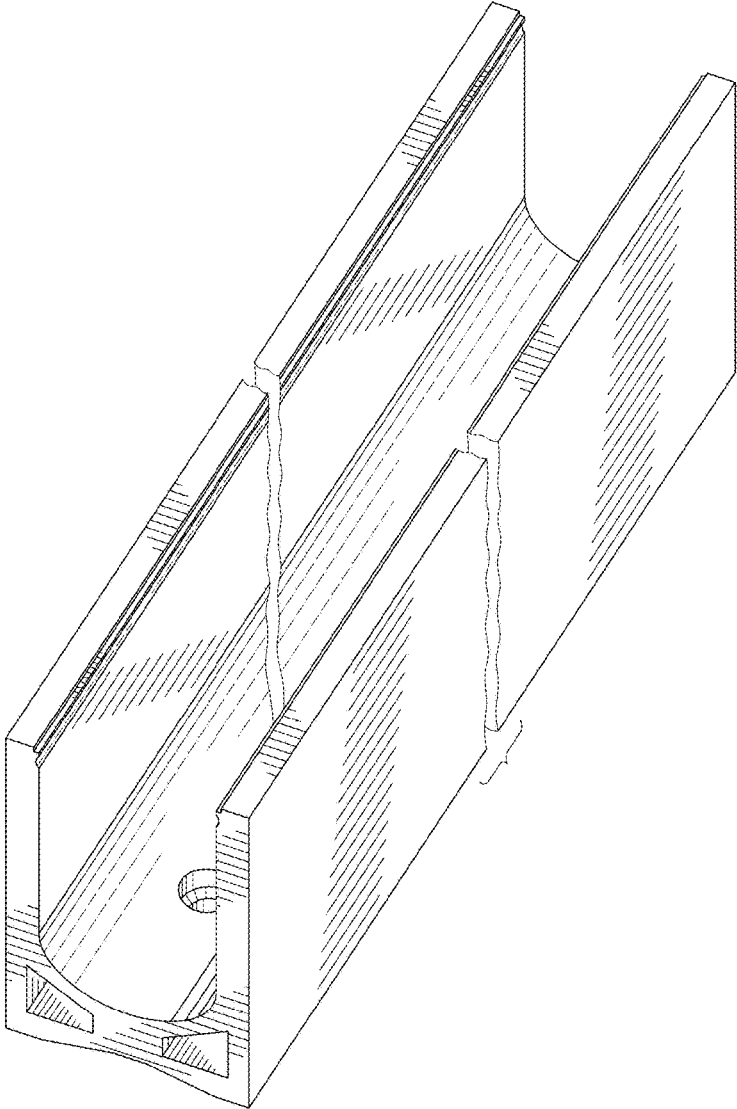


Fig.2

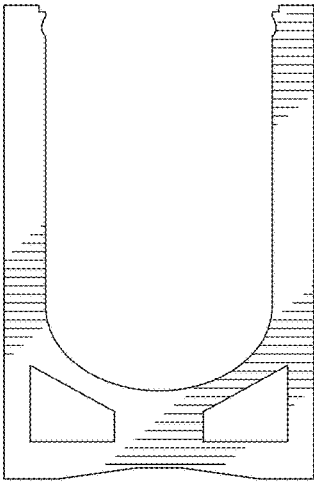


Fig.3

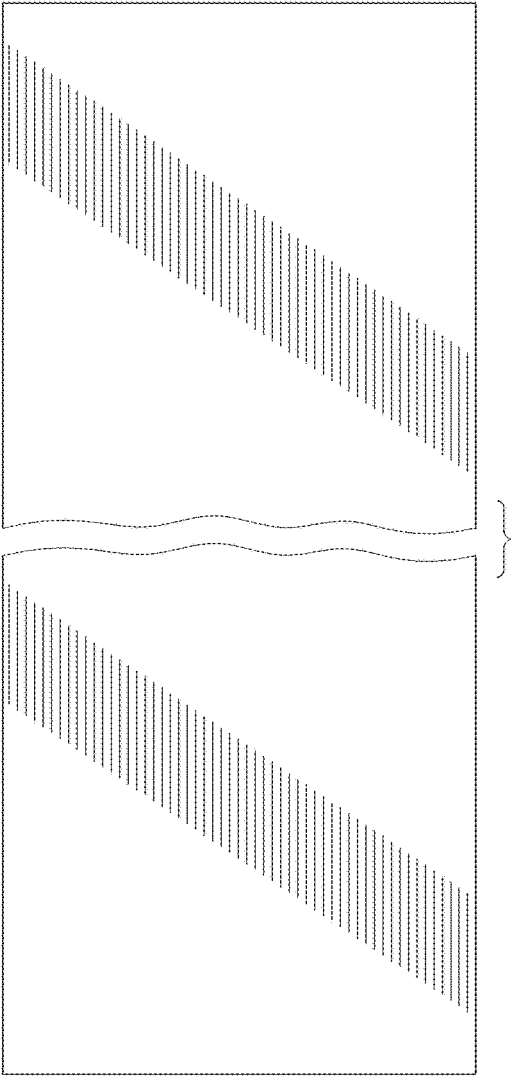


Fig.4

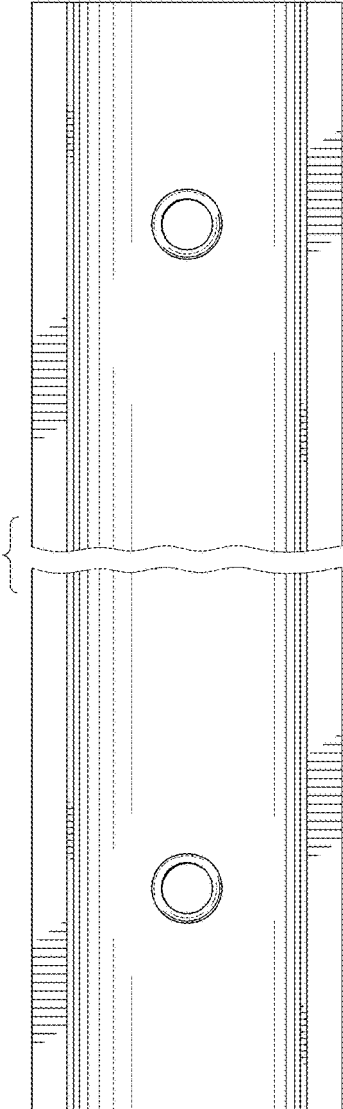


Fig.5

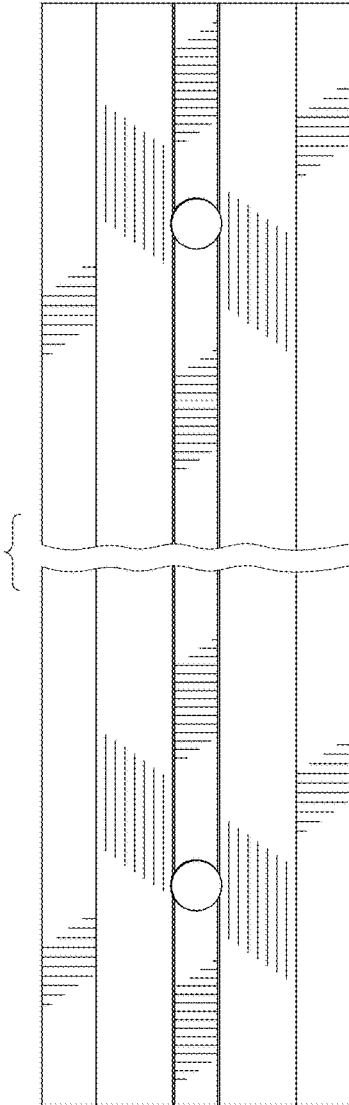


Fig.6