



US00D414698S

United States Patent [19]

[11] Patent Number: **Des. 414,698**

Mogard et al.

[45] Date of Patent: **** Oct. 5, 1999**

[54] CONTAINER CLOSURE

5,141,138 8/1992 Odet et al. 215/254 X
5,636,771 6/1997 Gordon et al. 222/541.9 X

[75] Inventors: **Jens Mogard**, Buffalo Grove, Ill.; **Karl E. Lundh**; **Göte E. Rickardsson**, both of Gislaved, Switzerland

Primary Examiner—Cathron B. Matta
Attorney, Agent, or Firm—Welsh & Katz, Ltd.

[73] Assignee: **Tetra Laval Holdings & Finance, SA**, Pully, Switzerland

[57] CLAIM

[**] Term: **14 Years**

The ornamental design for the container closure, as shown and described.

[21] Appl. No.: **29/061,906**

DESCRIPTION

[22] Filed: **Nov. 1, 1996**

FIG. 1 is a perspective view of the container closure according to the invention, in an open state.

[51] **LOC (6) Cl.** **09-07**

FIG. 2 is a perspective view of the container closure of FIG. 1, when closed.

[52] **U.S. Cl.** **D9/450; D9/438; D9/449**

FIG. 3 is a front elevation of the container closure of FIG. 2.

[58] **Field of Search** D9/434, 435, 438, D9/440, 446, 447, 449, 454, 503; 215/237, 254, 258; 222/153.07, 541.9; 220/256, 258, 259

FIG. 4 is a top plan view of the container closure of FIG. 2.

FIG. 5 is a left side elevation of the container closure of FIG. 2.

The right side elevation of the container closure of FIG. 2, not illustrated, is a mirror image of the left side elevation.

FIG. 6 is a view similar to FIG. 5, with the tamper-evident seal structure rotated 90 degrees by flexing a hinge.

FIG. 7 is a rear elevation of the container closure of FIG. 2;

and,

FIG. 8 is a bottom plan view of the container closure of FIG. 2.

and,

FIG. 8 is a bottom plan view of the container closure of FIG. 2.

and,

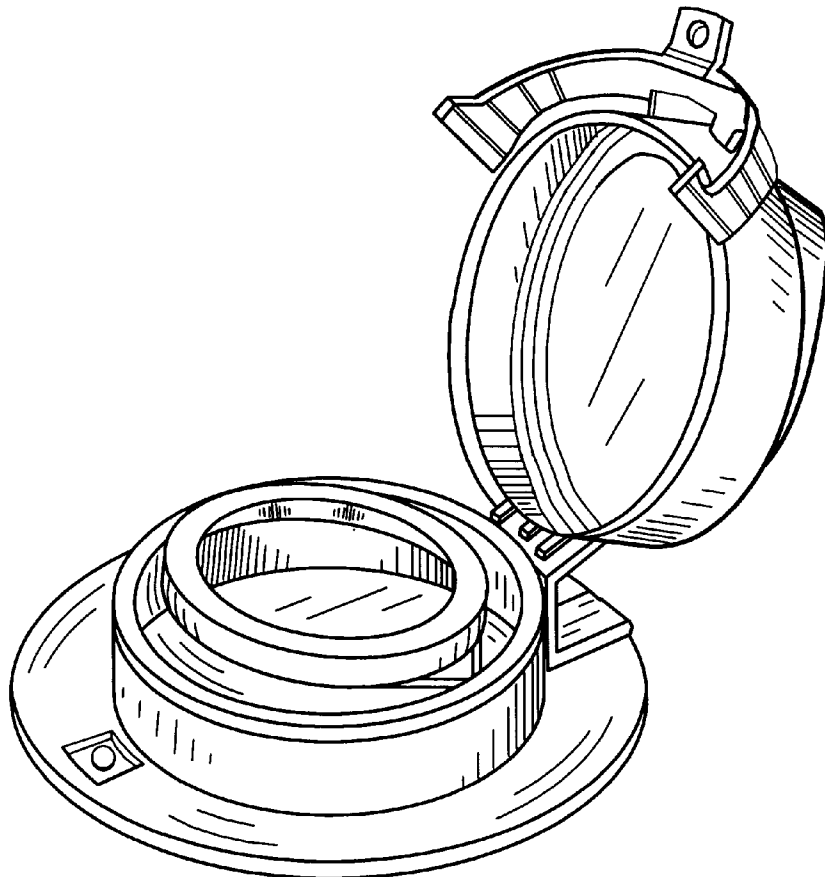
FIG. 8 is a bottom plan view of the container closure of FIG. 2.

[56] References Cited

U.S. PATENT DOCUMENTS

D. 265,060	6/1982	Blank	D9/446
D. 306,701	3/1990	Beck	D9/447 X
D. 329,020	9/1992	Cochrane	D9/435
D. 329,604	9/1992	Kuczer	D9/435 X
D. 381,906	8/1997	Bartsch	D9/438
4,848,615	7/1989	Friedrich	215/254

1 Claim, 2 Drawing Sheets



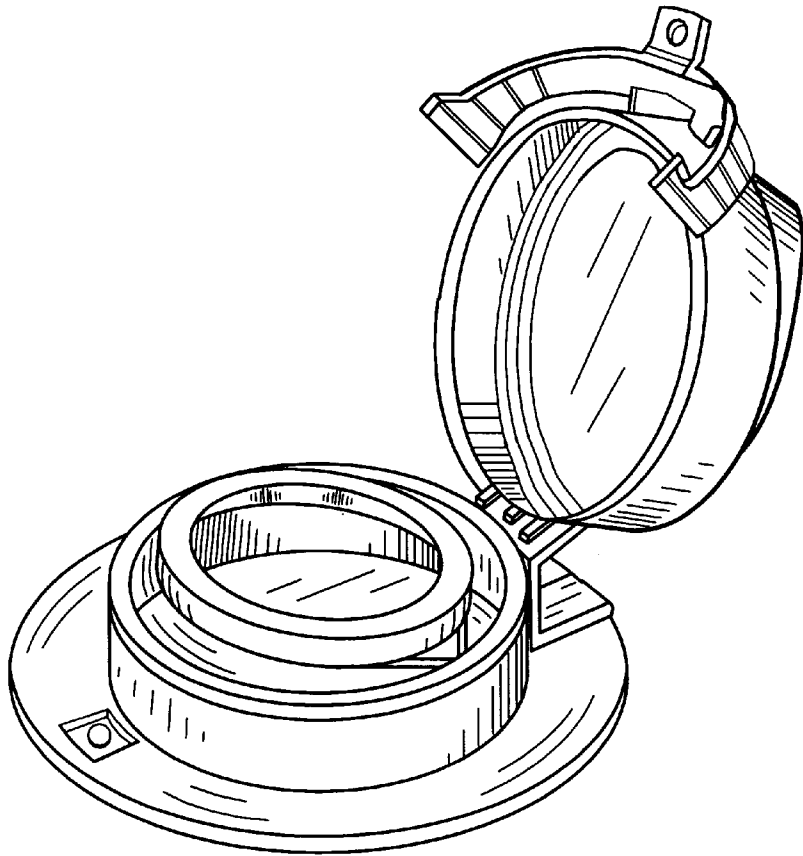


FIG. 1

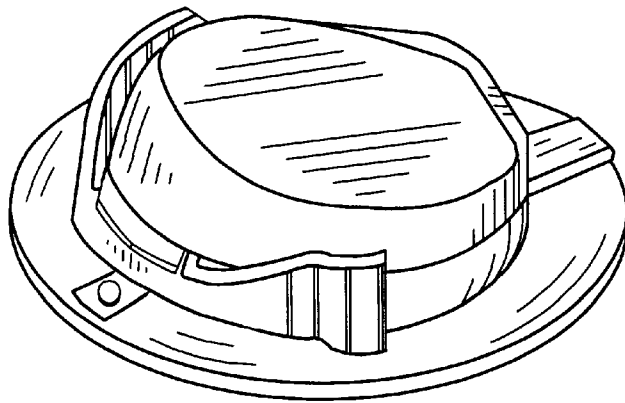


FIG. 2

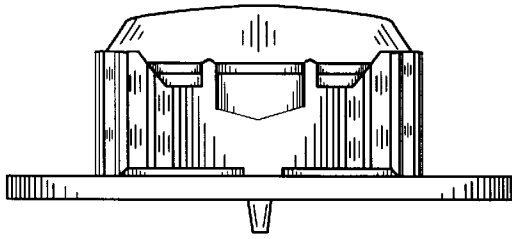


FIG. 3

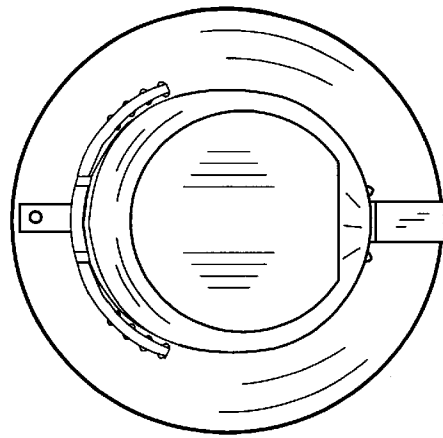


FIG. 4

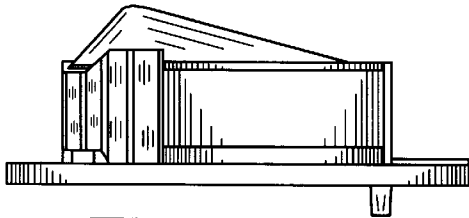


FIG. 5



FIG. 6

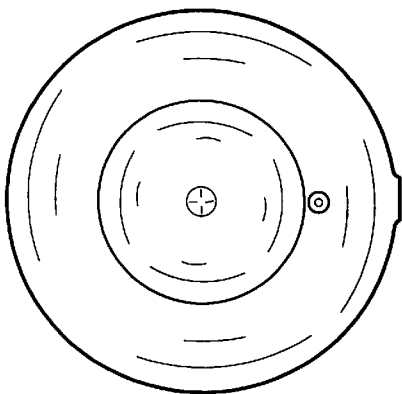


FIG. 8

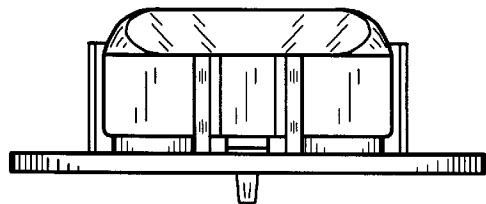


FIG. 7