



US00D696540S

(12) **United States Design Patent**
Dart et al.

(10) **Patent No.:** **US D696,540 S**

(45) **Date of Patent:** **** Dec. 31, 2013**

- (54) **ADJUSTABLE SHELF**
- (71) Applicants: **Dedee Dart**, Mapleton, UT (US); **Phillip Dietz**, St. George, UT (US)
- (72) Inventors: **Dedee Dart**, Mapleton, UT (US); **Phillip Dietz**, St. George, UT (US)
- (73) Assignee: **Dedee Dart**, Mapleton, UT (US)
- (**) Term: **14 Years**
- (21) Appl. No.: **29/449,198**
- (22) Filed: **Mar. 14, 2013**
- (51) **LOC (9) Cl.** **06-06**
- (52) **U.S. Cl.**
USPC **D6/705.1**
- (58) **Field of Classification Search**
USPC D6/382-383, 396-397, 406.1-406.5,
D6/439, 445, 448-450, 476, 509-511, 654,
D6/654.1, 685, 704, 705, 705.1, 707;
211/119.003, 134-135, 148, 153, 189;
D19/90-92, 22; 108/108, 111
See application file for complete search history.

3,441,146 A	4/1969	Summers	
3,919,950 A	11/1975	Frazelle	
4,025,137 A	5/1977	Wylar	
4,036,369 A	7/1977	Eisenberg	
4,155,312 A	5/1979	Thorkildson	
4,469,231 A	9/1984	Hehn	
4,500,146 A	2/1985	Peterson	
4,713,949 A	12/1987	Wilcox	
4,760,800 A	8/1988	Hanson	
D332,717 S	1/1993	Wolfe	
5,291,700 A	3/1994	Chew	
5,415,472 A	5/1995	Brise	
5,478,145 A	12/1995	Kamachi	
D372,822 S *	8/1996	O'Brien	D6/503
D393,316 S *	4/1998	Simon	D24/199
D398,458 S *	9/1998	Martell	D6/420
5,964,360 A	10/1999	Hwang	
6,036,286 A	3/2000	Krumholz	
D443,434 S *	6/2001	Tinsley	D6/406.4

(Continued)

Primary Examiner — Kelley Donnelly

(74) Attorney, Agent, or Firm — Morriss O'Bryant Compagni, PC

(57) **CLAIM**

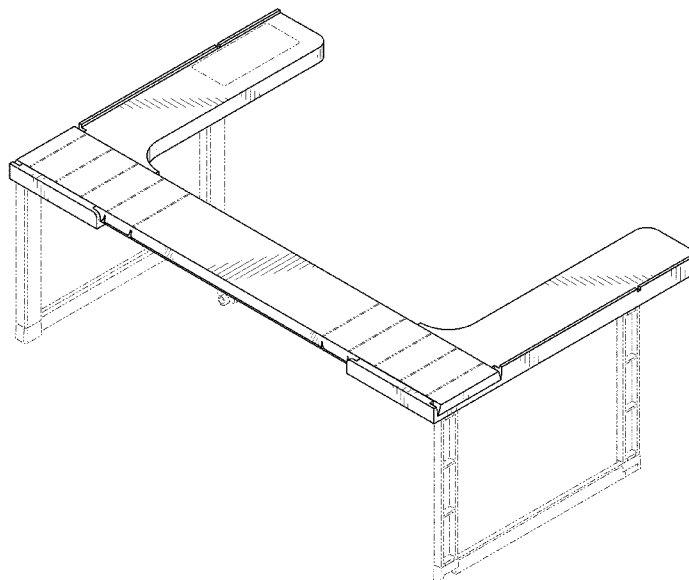
The ornamental design for the adjustable shelf, as shown and described.

DESCRIPTION

FIG. 1 is a perspective back view of an adjustable shelf of the present invention;
 FIG. 2 is a top side view of the adjustable shelf;
 FIG. 3 is a bottom side view of the adjustable shelf;
 FIG. 4 is a back side view of the adjustable shelf;
 FIG. 5 is a front side view of the adjustable shelf;
 FIG. 6 is a left side view of the adjustable shelf; and,
 FIG. 7 is a right side view of the adjustable shelf.
 Portions in the drawings shown in dashed lines do not form part of the claimed invention.

1 Claim, 5 Drawing Sheets

- (56) **References Cited**
U.S. PATENT DOCUMENTS
- 774,117 A 11/1904 Tandy
- 905,737 A 12/1908 McCombe
- 1,043,950 A 11/1912 Martin
- 1,747,628 A 2/1930 Hagel
- 2,122,336 A 6/1938 Berry
- 2,216,621 A 10/1940 Mackinga
- 2,347,821 A 5/1944 Goldner
- 2,427,767 A 9/1947 Drake
- 2,520,490 A 8/1950 Boward
- 2,643,931 A 6/1953 Anderson
- 2,657,810 A 11/1953 Garrick



US D696,540 S

(56)

References Cited

U.S. PATENT DOCUMENTS

6,450,349	B2	9/2002	Lee		D630,459	S *	1/2011	Millspaugh	D6/574
D474,920	S *	5/2003	Holt	7,987,799	B2	8/2011	Lange		
6,591,762	B1	7/2003	Haghyegh		8,333,158	B2	12/2012	Wise		
6,623,956	B1	9/2003	Cecchi		D677,960	S *	3/2013	Kullman	D6/572
D510,821	S *	10/2005	Madison	D678,887	S *	3/2013	Stravitz	D14/451
D518,979	S	4/2006	Petitclerc		2001/0052505	A1	12/2001	Lee		
7,204,569	B2	4/2007	Walburn		2004/0094143	A1	5/2004	Bartley		
7,237,686	B2	7/2007	Bertrand		2004/0164655	A1	8/2004	Wood		
D609,500	S *	2/2010	Fieldhouse et al.	2009/0230070	A1	9/2009	Anderson		
					2010/0264104	A1	10/2010	Winter		
					2012/0037583	A1	2/2012	Wise		
					2012/0223038	A1	9/2012	Bean		

* cited by examiner

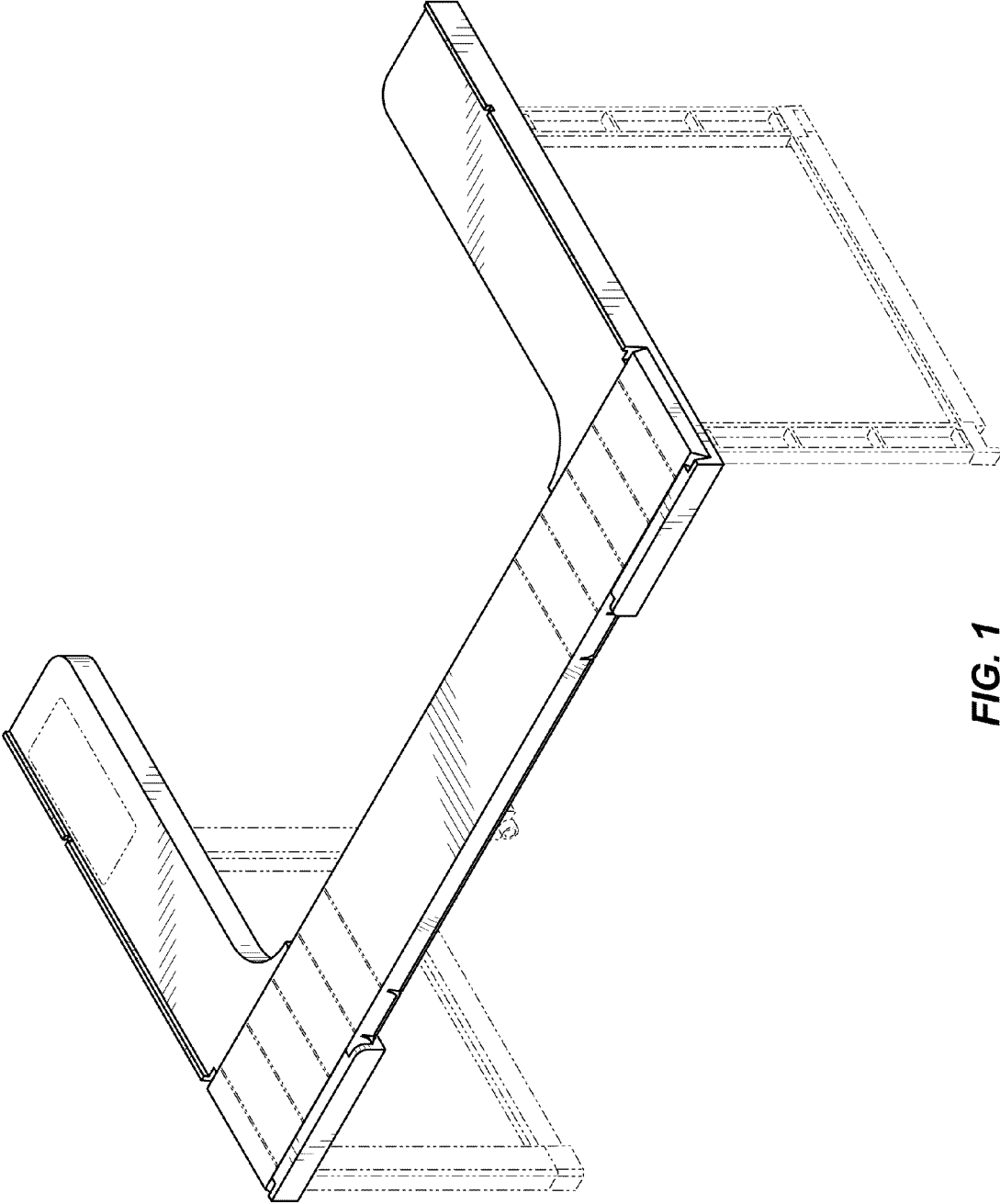


FIG. 1

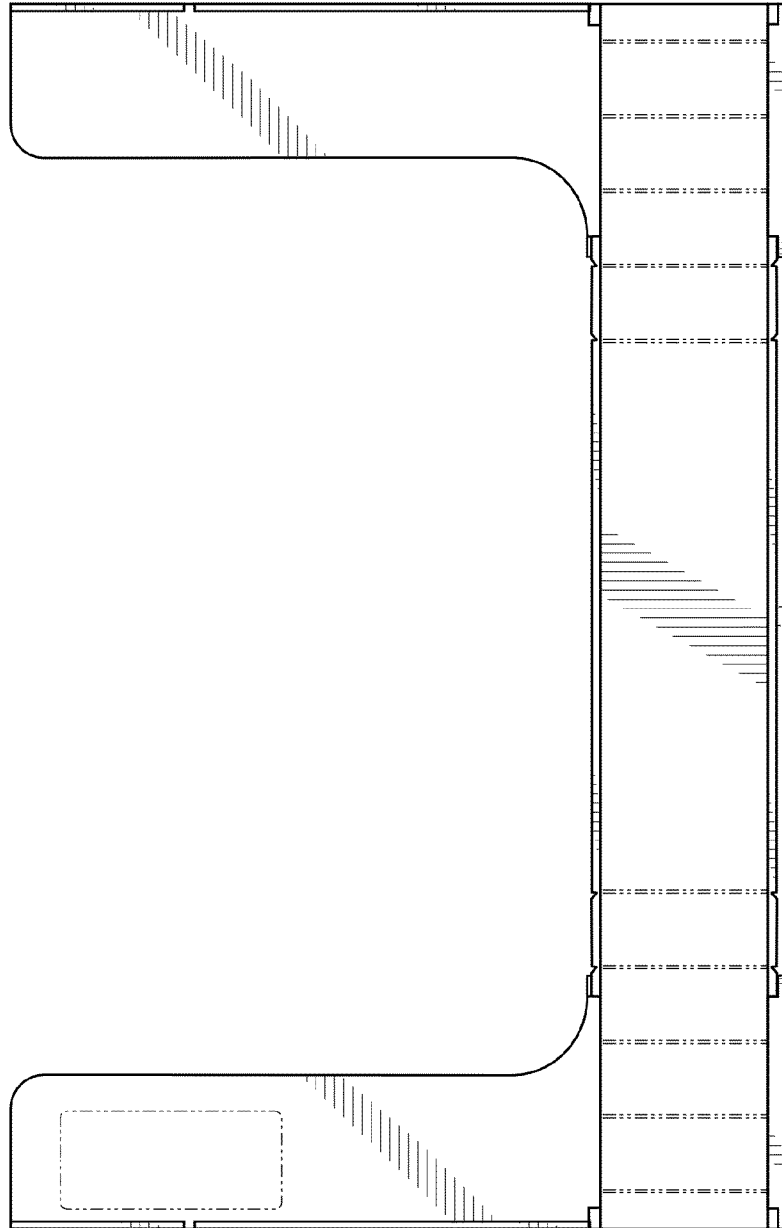


FIG. 2

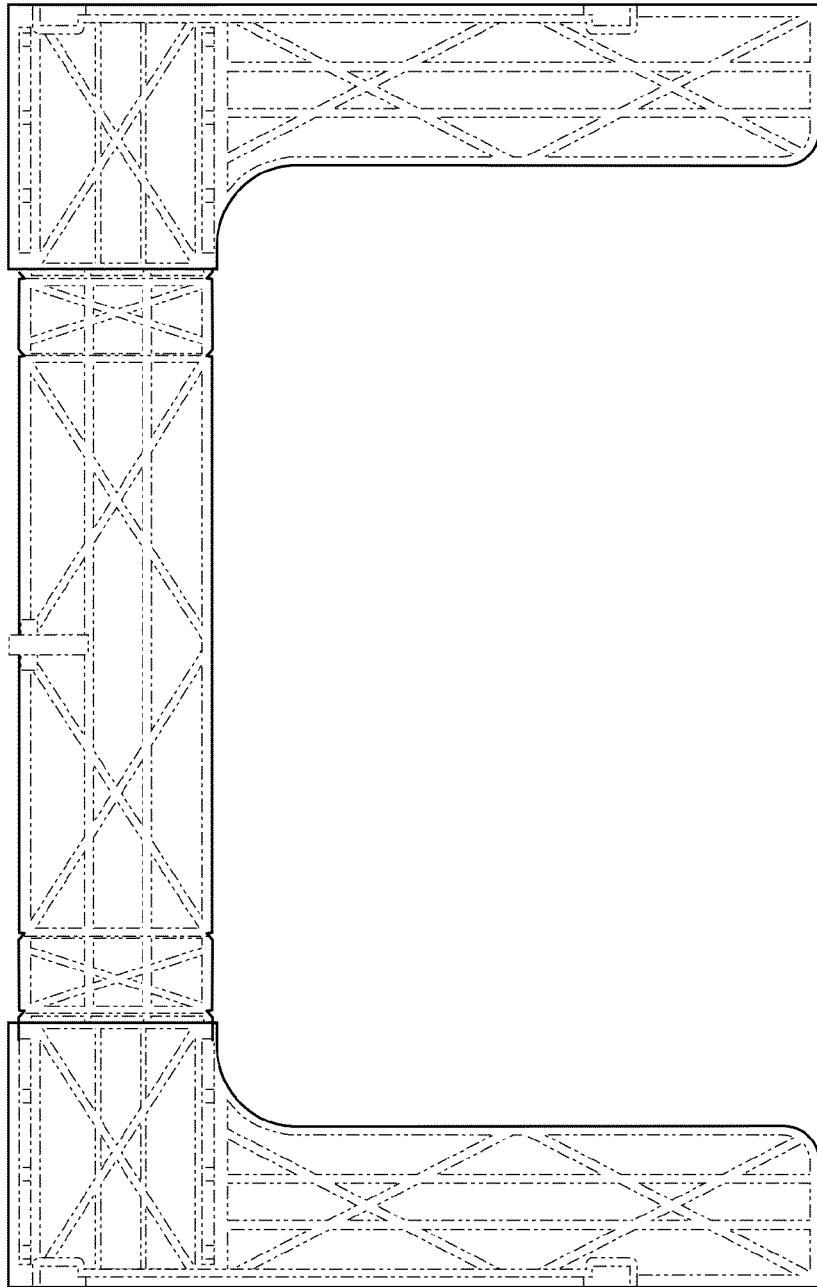


FIG. 3

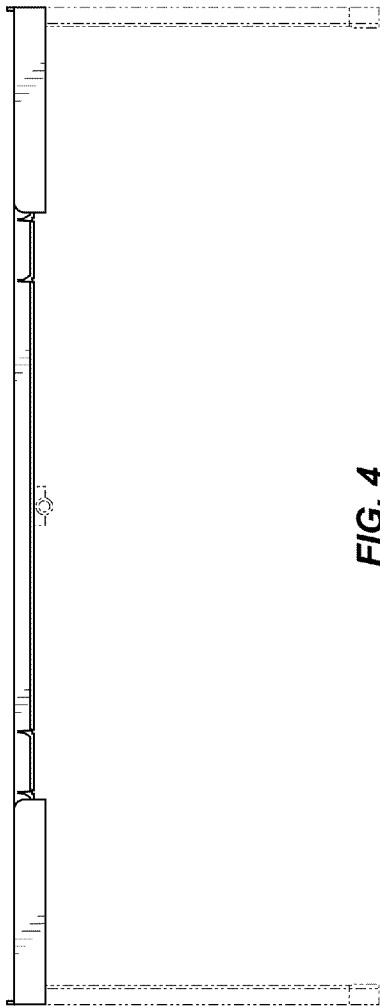


FIG. 4

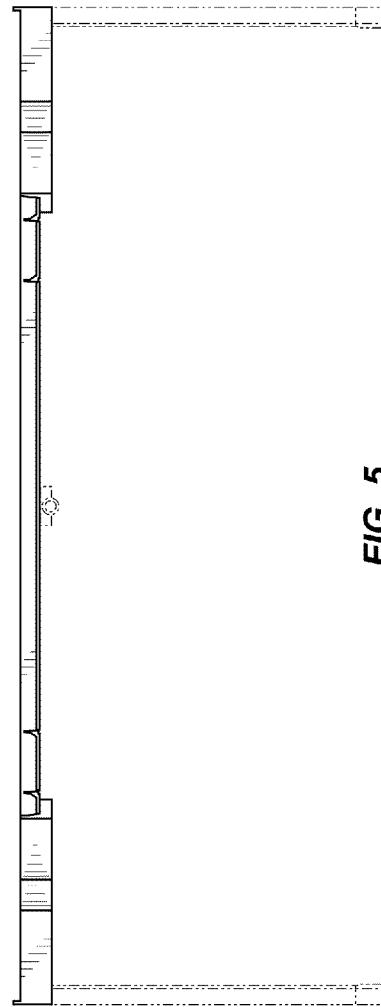


FIG. 5

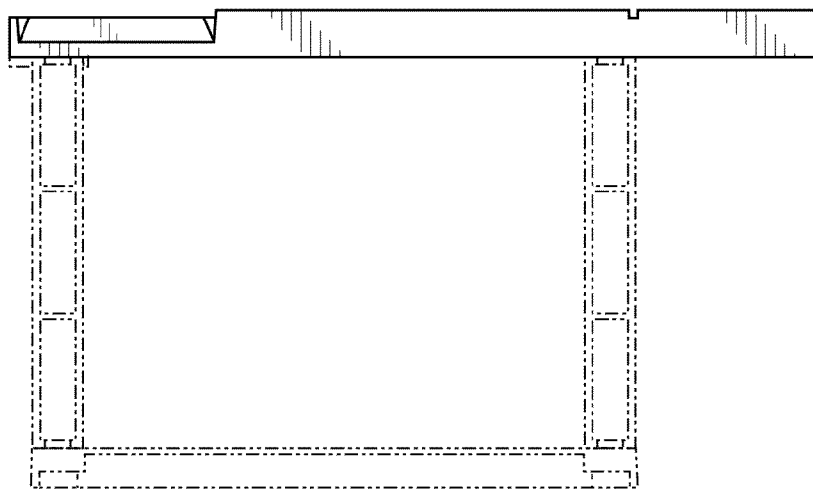


FIG. 6

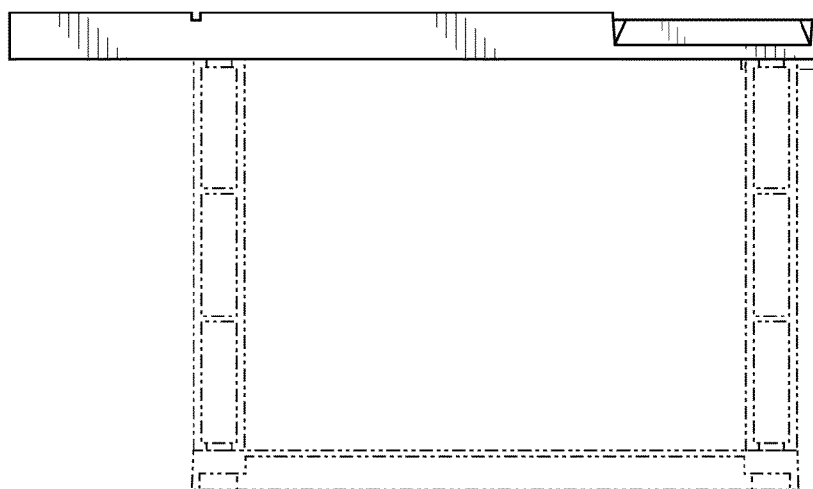


FIG. 7