



US00D765232S

(12) **United States Design Patent**
Horsfield

(10) **Patent No.:** **US D765,232 S**

(45) **Date of Patent:** **** Aug. 30, 2016**

(54) **WINE BARREL FIRE TABLE**

(71) Applicant: **Global Outdoors, Inc.**, Narragansett, RI (US)

(72) Inventor: **Michael Robert Horsfield**, Wakefield, RI (US)

(73) Assignee: **Global Outdoors, Inc.**, Narragansett, RI (US)

(**) Term: **15 Years**

(21) Appl. No.: **29/545,810**

(22) Filed: **Nov. 16, 2015**

(51) **LOC (10) Cl.** **23-03**

(52) **U.S. Cl.**
USPC **D23/343**

(58) **Field of Classification Search**
USPC D23/314, 317, 332, 338, 339, 340, 342, D23/343, 346, 403; D6/486, 688.12, D6/688.19, 688.21, 692, 685, 696.1, 692.3, D6/451, 336, 349, 686, 355, 363, 364, 500, D6/511; D7/335, 337, 332, 333, 334; 126/523, 527, 536, 544, 555, 25 R, 58, 126/8, 512, 92 R, 519, 41 R, 29, 25 AA; D11/149; D34/1, 4, 11, 7; D9/633
CPC A47J 37/0781
See application file for complete search history.

5,168,796 A * 12/1992 Porton A47J 37/0781 108/50.13

D389,009 S * 1/1998 Baykal D7/335

D394,779 S * 6/1998 Hilvitz D7/335

6,065,466 A * 5/2000 Baykal A47J 37/0781 108/50.12

D584,938 S * 1/2009 Steele D8/359

D590,201 S * 4/2009 Zagar D7/335

D662,727 S * 7/2012 Cooper D6/688

D679,791 S * 4/2013 Lowsky D23/343

D684,891 S * 6/2013 Team D11/149

D690,405 S * 9/2013 Lowsky D23/343

2013/0014743 A1 * 1/2013 Glanville A47J 37/0704 126/25 R

2014/0174427 A1 * 6/2014 Yuen A47J 37/067 126/25 R

2015/0250305 A1 * 9/2015 Kahler F24C 3/00 108/50.13

* cited by examiner

Primary Examiner — T. Chase Nelson

Assistant Examiner — Ania Aman

(74) *Attorney, Agent, or Firm* — One3 IP Management, P.C.; Justin G. Sanders; Dean G. Stathakis

(57) **CLAIM**

The ornamental design for a wine barrel fire table, as shown and described.

DESCRIPTION

FIG. 1 is a perspective view of my new wine barrel fire table design;

FIG. 2 is a front view thereof;

FIG. 3 is a rear view thereof;

FIG. 4 is a left side view thereof;

FIG. 5 is a right side view thereof;

FIG. 6 is a top view thereof;

FIG. 7 is a bottom view thereof; and,

FIG. 8 is an exploded view thereof.

In the drawings, the broken lines depict environmental structure only that forms no part of the claimed design.

1 Claim, 6 Drawing Sheets

(56) **References Cited**

U.S. PATENT DOCUMENTS

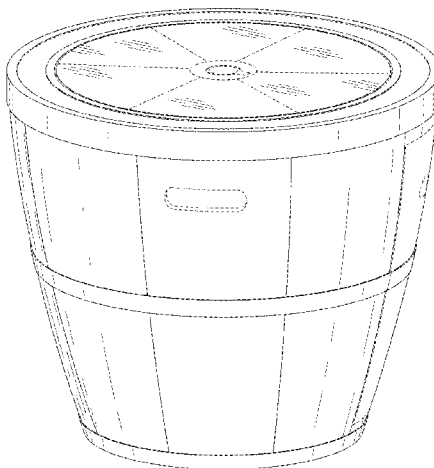
611,003 A * 9/1898 Roth B65D 7/045 220/4.06

D122,336 S * 9/1940 James D9/633

D162,083 S * 2/1951 Pruetzel D23/314

D244,031 S * 4/1977 Baughman D23/348

D286,002 S * 10/1986 Brix D7/332



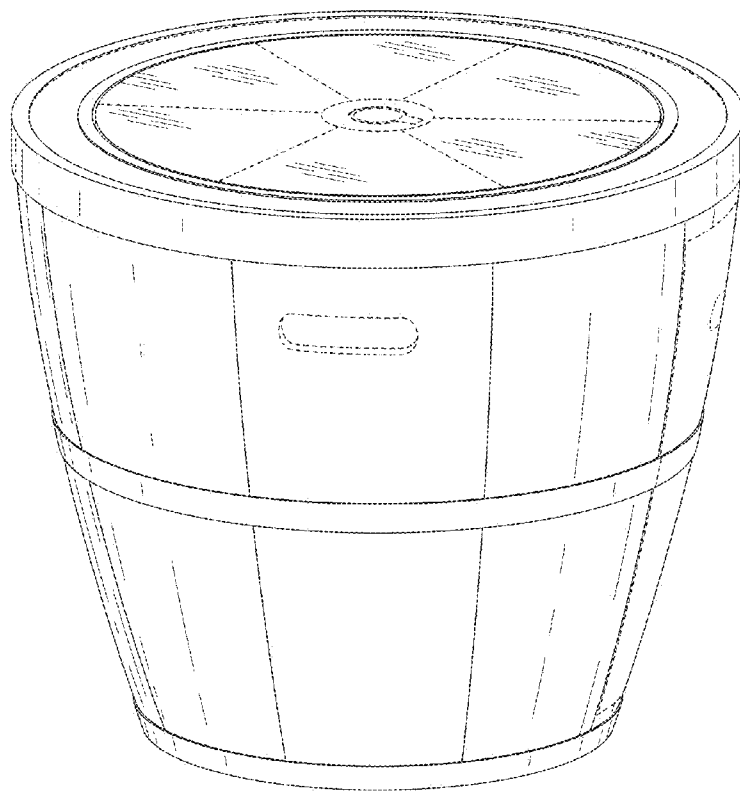


Fig. 1

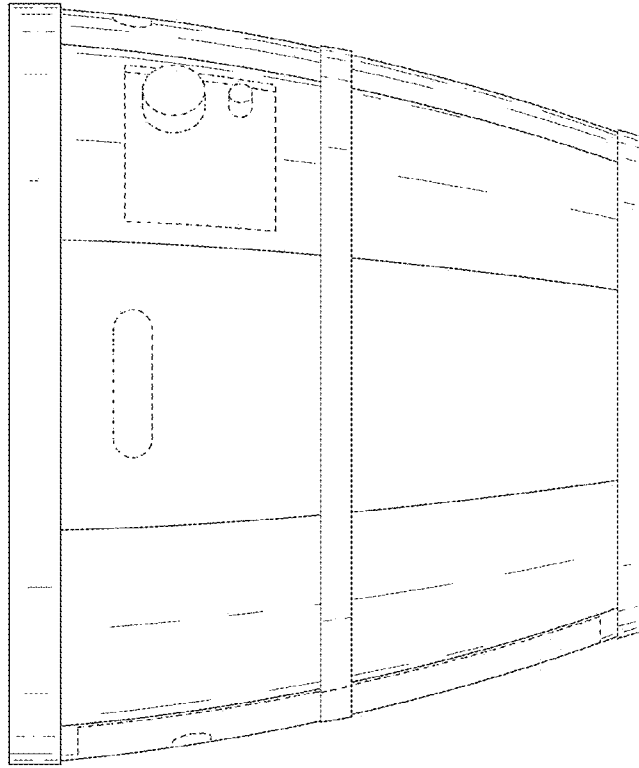


Fig. 3

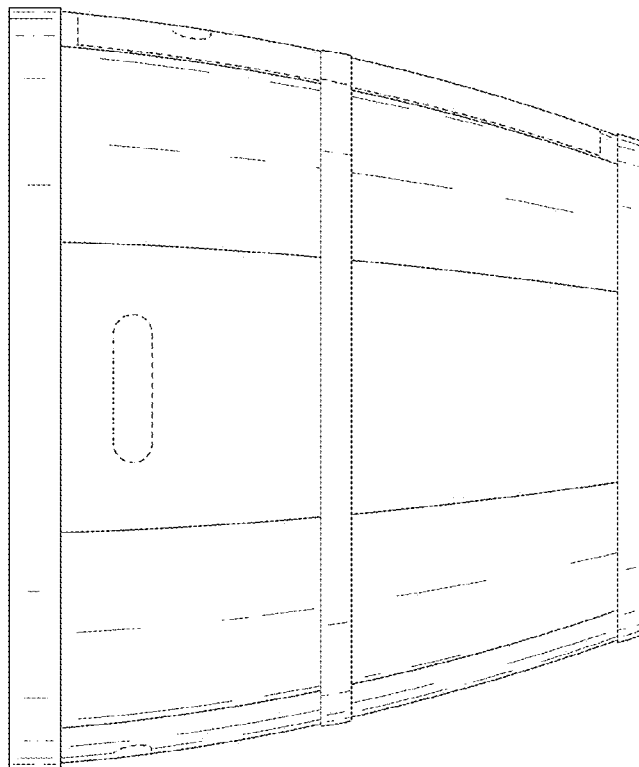


Fig. 2

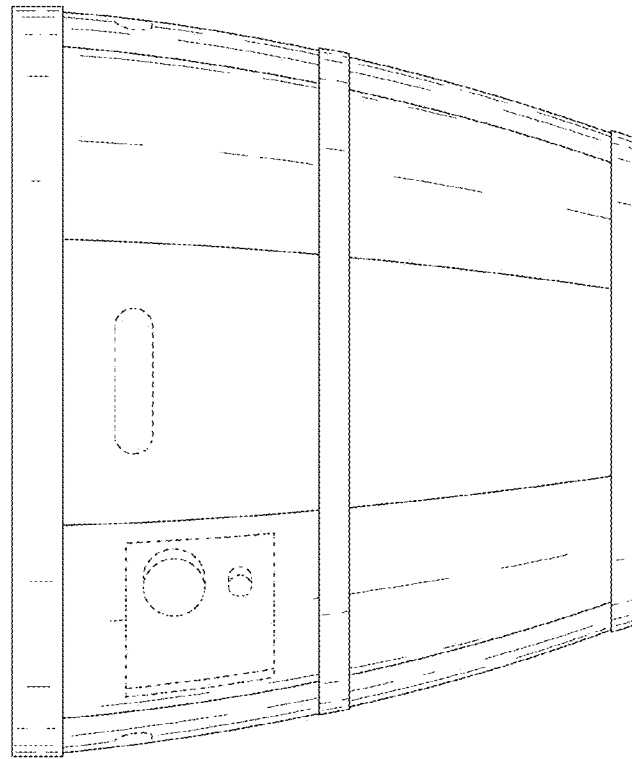


Fig. 5

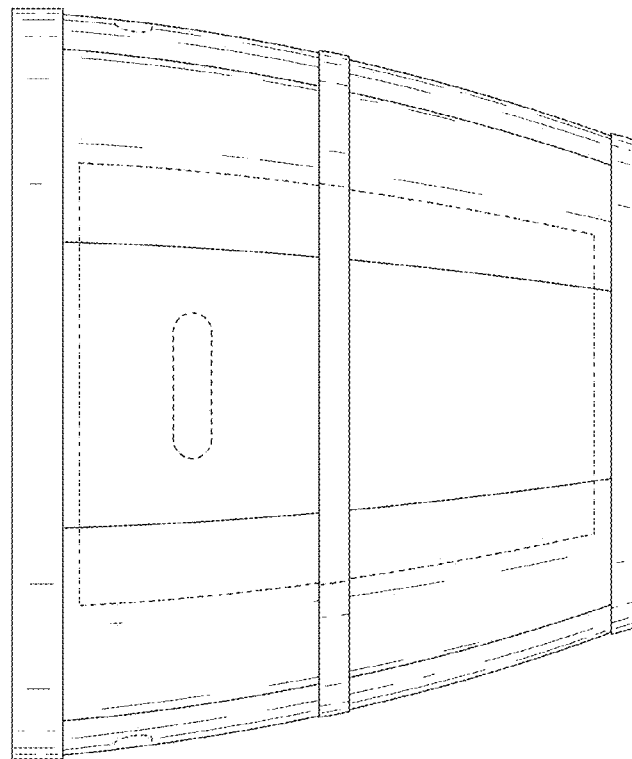


Fig. 4

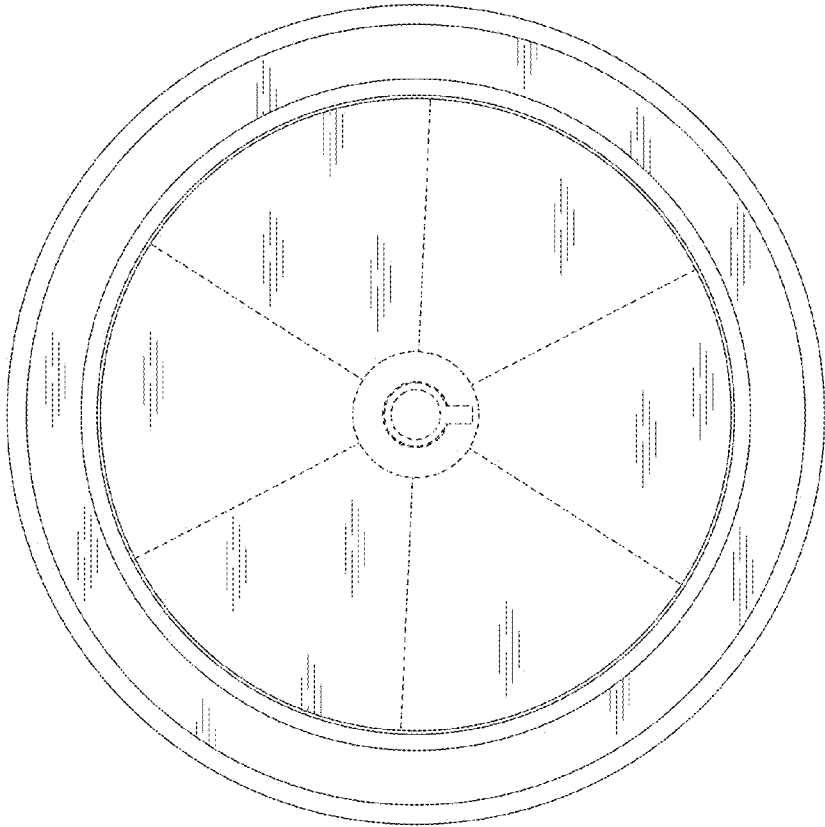


Fig. 6

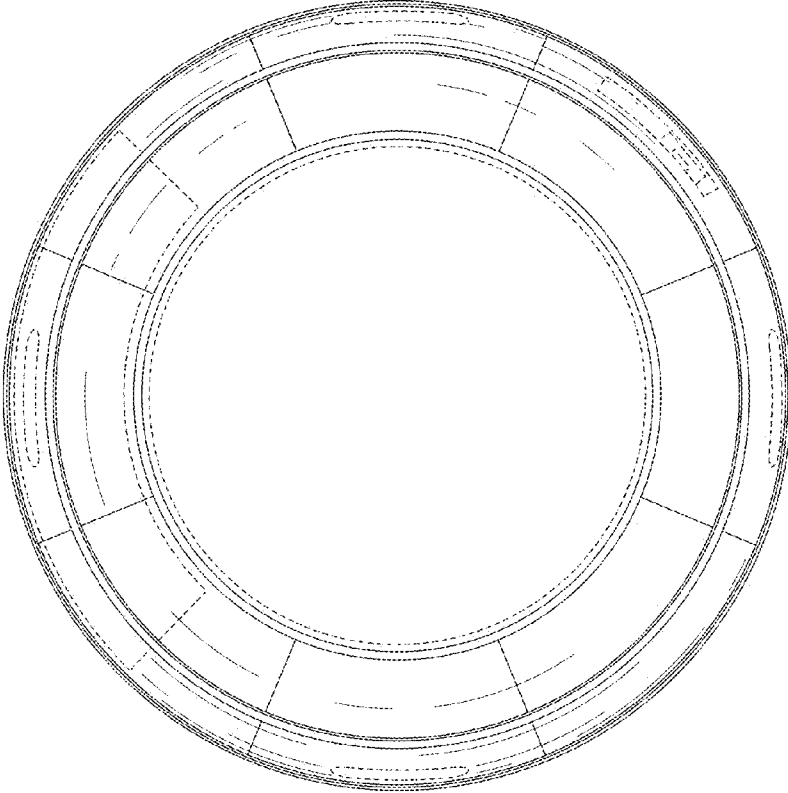


Fig. 7

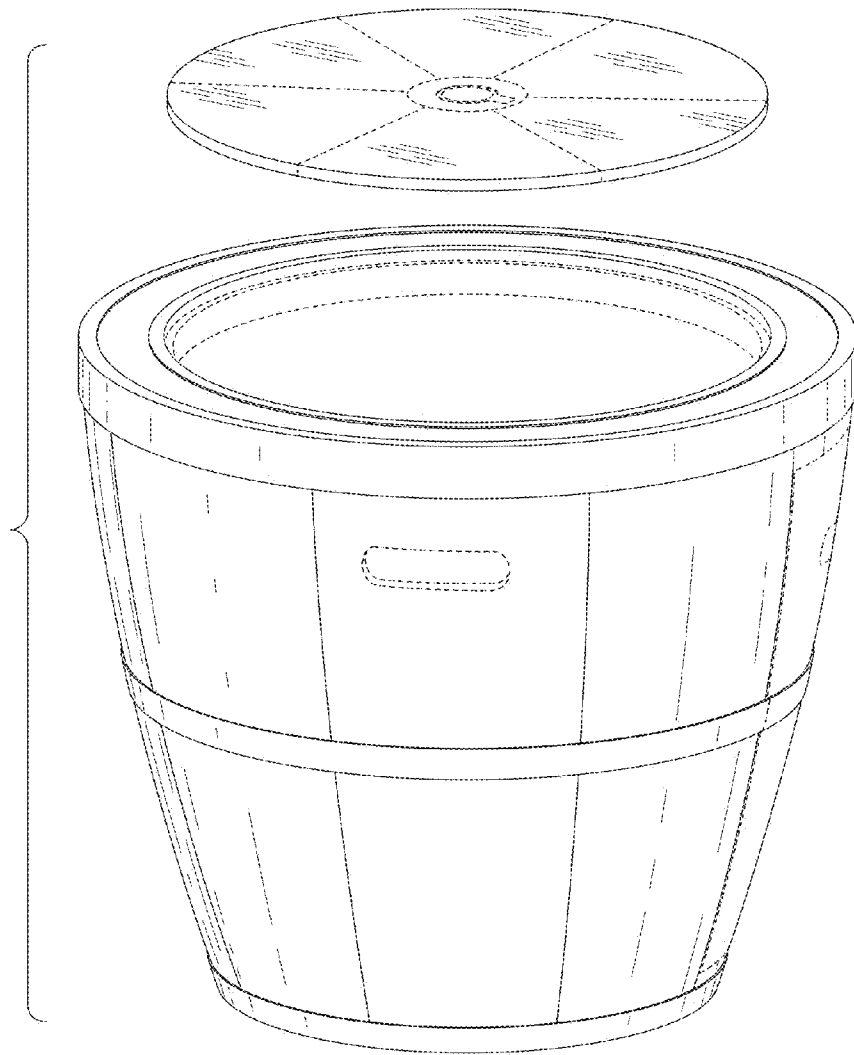


Fig. 8