



US00D662978S

(12) **United States Design Patent**  
**Xie**

(10) **Patent No.:** **US D662,978 S**

(45) **Date of Patent:** **\*\* Jul. 3, 2012**

(54) **PEN**

(75) Inventor: **Jianzhe Xie**, Ningbo (CN)

(73) Assignee: **Beifa Group Co., Ltd.**, Ningbo (CN)

(\*\*) Term: **14 Years**

(21) Appl. No.: **29/389,621**

(22) Filed: **Apr. 14, 2011**

(30) **Foreign Application Priority Data**

Oct. 14, 2010 (CN) ..... 2010 3 0569247

(51) **LOC (9) Cl.** ..... **19-06**

(52) **U.S. Cl.** ..... **D19/43**

(58) **Field of Classification Search** ..... D19/35,  
D19/36, 41-51, 54-58; 24/11 R, 11 F, 11 P;  
401/52, 99, 100-109, 192, 195, 196; D14/411  
See application file for complete search history.

(56) **References Cited**

**U.S. PATENT DOCUMENTS**

3,077,184	A	*	2/1963	Vogel	.....	401/34
D247,246	S	*	2/1978	Verona	.....	D19/45
D353,333	S	*	12/1994	McIlvain	.....	D9/529
D369,384	S	*	4/1996	Yasoshima	.....	D19/36
D370,088	S		5/1996	Burns		
D431,324	S	*	9/2000	Hirato et al.	.....	D28/76
D443,104	S	*	5/2001	Coates et al.	.....	D28/7
D460,485	S	*	7/2002	Keda	.....	D19/43
D540,864	S	*	4/2007	Kato	.....	D19/43
D568,932	S		5/2008	Qiu		
D589,555	S	*	3/2009	Li	.....	D19/36
D590,876	S	*	4/2009	Shi	.....	D19/36
D595,350	S	*	6/2009	Paz et al.	.....	D19/43

D601,627	S		10/2009	Liu		
D602,086	S		10/2009	Liu		
D607,510	S	*	1/2010	Jun	.....	D19/47
D607,934	S		1/2010	Liu		
7,824,124	B2	*	11/2010	Francavilla et al.	.....	401/278
D648,384	S	*	11/2011	Hung	.....	D19/36
D648,385	S	*	11/2011	Guo	.....	D19/43
D654,537	S	*	2/2012	Hung	.....	D19/36

**OTHER PUBLICATIONS**

Xie, J., "Pen," U.S. Appl. No. 29/389,624, filed Apr. 14, 2011.  
Xie, J., "Pen," U.S. Appl. No. 29/389,685, filed Apr. 14, 2011.  
Xie, J., "Pen," U.S. Appl. No. 29/389,687, filed Apr. 14, 2011.  
Zhang, B., "Pen," U.S. Appl. No. 29/386,408, filed Feb. 28, 2011.

\* cited by examiner

*Primary Examiner* — Elizabeth Albert

(74) *Attorney, Agent, or Firm* — Christensen O'Connor Johnson Kindness PLLC

(57) **CLAIM**

The ornamental design for a pen, as shown and described.

**DESCRIPTION**

FIG. 1 is an upper front perspective view of a pen showing my new design;

FIG. 2 is a front elevation view thereof, with the rear elevation view being a mirror image of the front elevation view;

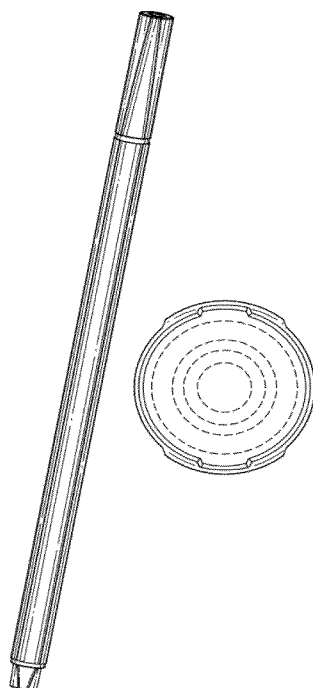
FIG. 3 is a right side elevation view thereof, with the left side elevation view being a mirror image of the right side elevation view;

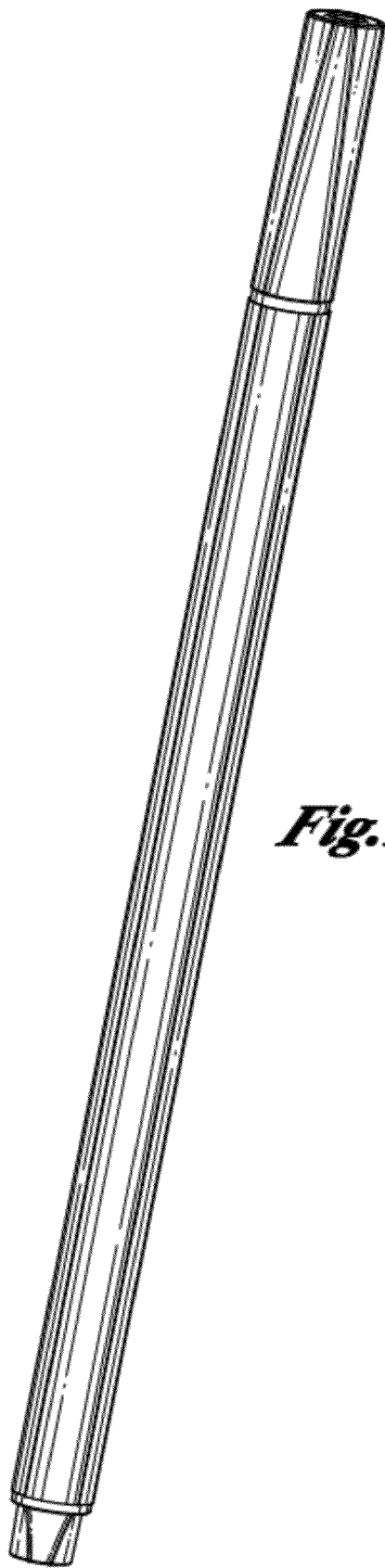
FIG. 4 is an enlarged top plan view thereof; and,

FIG. 5 is an enlarged bottom plan view thereof.

The broken lines shown in FIG. 4 illustrate environmental subject matter and form no part of the claimed design.

**1 Claim, 3 Drawing Sheets**

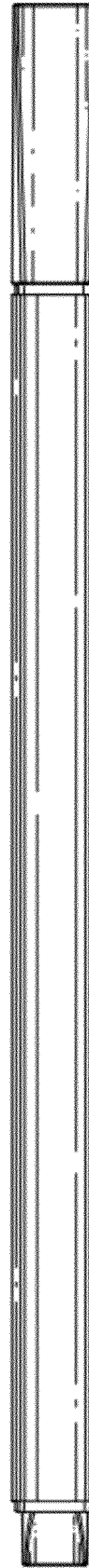




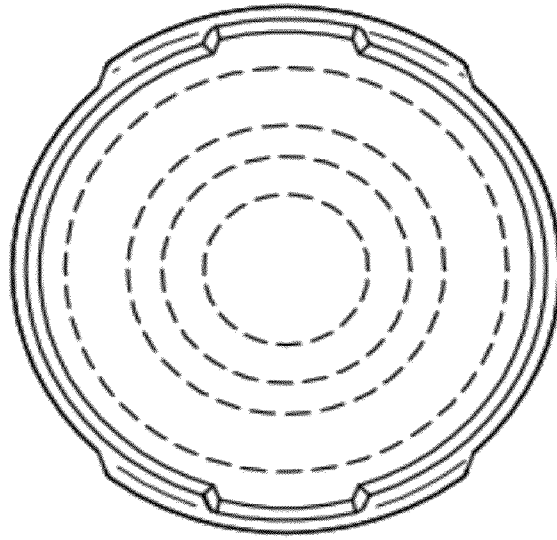
*Fig. 1.*



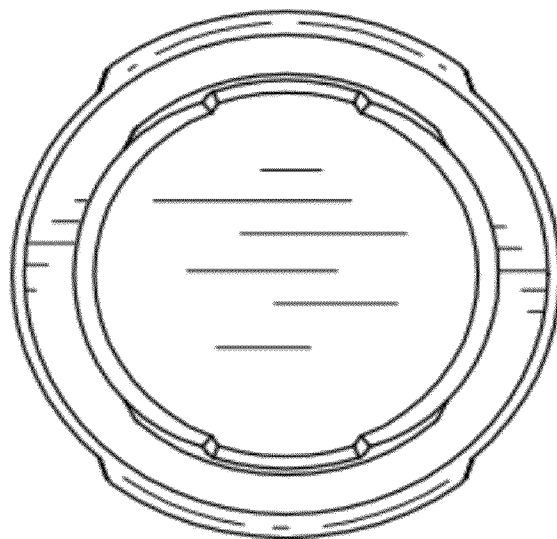
*Fig. 2.*



*Fig. 3.*



*Fig. 4.*



*Fig. 5.*