

(19)



(11) Publication number:

SG 179297 A1

(43) Publication date:

27.04.2012

(51) Int. Cl:

;

(12)

Patent Application

(21) Application number: **2010065621**

(71) Applicant:

**CANON KABUSHIKI KAISHA 30-2
SHIMOMARUKO 3-CHOME, OHTA-KU,
TOKYO 146-8501 JP**

(22) Date of filing: **25.12.2007**

JP 2006-346191 22.12.2006

(30) Priority:

JP 2007-042666 22.02.2007

JP 2007-330304 21.12.2007

(72) Inventor:

**UENO, TAKAHITO C/O CANON
KABUSHIKI KAISHA 30-2,
SHIMOMARUKO 3-CHOME, OHTA-KU,
TOKYO 146-8501, JAPAN JP
MIYABE, SHIGEO C/O CANON
KABUSHIKI KAISHA 30-2,
SHIMOMARUKO 3-CHOME, OHTA-KU,
TOKYO 146-8501, JAPAN JP
MORIOKA, MASANARI C/O
CANON KABUSHIKI KAISHA 30-2,
SHIMOMARUKO 3-CHOME, OHTA-KU,
TOKYO 146-8501, JAPAN JP
HISANO, MASATO C/O CANON
KABUSHIKI KAISHA 30-2,
SHIMOMARUKO 3-CHOME, OHTA-KU,
TOKYO 146-8501, JAPAN JP**

(54) **Title:**

ROTATIONAL FORCE TRANSMITTING PART

(57) **Abstract:**

ROTATIONAL FORCE TRANSMITTING PART Abstract A rotating force transmitting part for a photosensitive drum for a main assembly of an image forming apparatus, wherein the main assembly includes a driving shaft having a rotating force applying portion including a coupling member capable of taking a rotational force transmitting angular position for transmitting the rotational force to the drum and a disengaging angular position in which the coupling member is inclined away from the axis of the drum from the rotational force transmitting angular position, wherein when the drum is dismounted from the main assembly in a direction perpendicular to the axis of the drum, the coupling member moves from the rotational force transmitting angular position to the disengaging angular position. FIG. 10

ROTATIONAL FORCE TRANSMITTING PART

Abstract

A rotating force transmitting part for a photosensitive drum for a main assembly of an image forming apparatus, wherein the main assembly includes a driving shaft having a rotating force applying portion including a coupling member capable of taking a rotational force transmitting angular position for transmitting the rotational force to the drum and a disengaging angular position in which the coupling member is inclined away from the axis of the drum from the rotational force transmitting angular position, wherein when the drum is dismounted from the main assembly in a direction perpendicular to the axis of the drum, the coupling member moves from the rotational force transmitting angular position to the disengaging angular position.

FIG. 10

DESCRIPTION

ROTATIONAL FORCE TRANSMITTING PART

5 [TECHNICAL FIELD]

The present invention relates to a rotational force transmitting part for an electrophotographic process cartridge, an electrophotographic image forming apparatus to which the process cartridge is detachably mountable, and an electrophotographic photosensitive drum unit.

Examples of the electrophotographic image forming apparatus include an electrophotographic copying machine, an electrophotographic printer (a laser beam printer, an LED printer, and so on), and the like.

The process cartridge is prepared by integrally assembling an electrophotographic photosensitive member and process means acting on the electrophotographic photosensitive member into a unit (cartridge) and is mounted to and demounted from a main assembly of the electrophotographic image forming apparatus. For example, the process cartridge is prepared by integrally assembling the electrophotographic photosensitive member and at least one of a developing means, a charging means, and a cleaning means as the process means into a cartridge.

Accordingly, examples of the process cartridge include a process cartridge prepared by integrally assembling the electrophotographic photosensitive member and three process means consisting of the developing means, the charging means, and the cleaning means into a cartridge; a process cartridge prepared by integrally assembling the electrophotographic photosensitive member and the charging means as the process means into a cartridge; and a process cartridge prepared by integrally assembling the electrophotographic photosensitive member and two process means consisting of the charging means and the cleaning means.

The process cartridge is detachably mountable to an apparatus main assembly by a user by himself (herself). Accordingly, maintenance of the apparatus can be performed by the user by himself without relying on a service person. As a result, operability of the maintenance of the electrophotographic image forming apparatus.

20

[BACKGROUND ART]

In a conventional process cartridge, the following constitution for receiving a rotational driving force, for rotating a drum shaped electrophotographic photosensitive member (hereinafter referred to as a "photosensitive drum"), from an apparatus main assembly is known.

On a main assembly side, a rotatable member for transmitting a driving force of a motor and a non circular twisted hole, which is provided at a center portion of the rotatable member and has a cross section integrally rotatable with the rotatable member and provided with a plurality of corners, are provided.

On a process cartridge side, a non circular twisted projection, which is provided at one of longitudinal ends of a photosensitive drum and has a cross section provided with a plurality of corners, is provided.

When the rotatable member is rotated in an engaged state between the projection and the hole in the case where the process cartridge is mounted to the apparatus main assembly, a rotational force of the rotatable member is transmitted to the photosensitive drum in a state in which an attraction force toward the hole is exerted on the projection. As a result, the rotational force for rotating the photosensitive drum is transmitted from the apparatus main assembly to the photosensitive drum (U.S. Patent No. 5,903,803).

Further, a method in which a photosensitive drum is rotated by engaging a gear fixed to the photosensitive drum constituting a process cartridge has been known (U.S. Patent No. 4,829,335).

However, in the conventional constitution described in U.S. Patent No. 5,903,803, the rotatable

member is required to be moved in a horizontal direction when the process cartridge is mounted to or demounted from the main assembly by being moved in a direction substantially perpendicular to an axial line of the rotatable member. That is, the rotatable member is required to be horizontally moved by an opening and closing operation of a main assembly cover provided to the apparatus main assembly. By the opening operation of the main assembly cover, the hole is moved apart from the projection. On the other hand, by the closing operation of the main assembly cover, the hole is moved toward the projection so as to be engaged with the projection.

Accordingly, in the conventional process cartridge, a constitution for moving the rotatable member in a rotational axis direction by the opening and closing operation of the main assembly cover is required to be provided to the main assembly.

In the constitution described in U.S. Patent No. 4,829,335, without moving the driving gear provided to the main assembly along the axial line direction thereof, the cartridge can be mounted to and demounted from the main assembly by being moved in a direction substantially perpendicular to the axial line. However, in this constitution a driving connection portion between the main assembly and the cartridge is an engaging portion between gears, so that it is

difficult to prevent rotation non uniformity of the photosensitive drum.

[DISCLOSURE OF THE INVENTION]

5 A principal object of the present invention is to provide a rotational force transmitting part for a process cartridge, a photosensitive drum unit used in the process cartridge, and an electrophotographic image forming apparatus to which the process cartridge
10 is detachably mountable, capable of solving the above described problems of the conventional process cartridges.

 Another object of the present invention is to provide a rotational force transmitting part for a
15 process cartridge capable of smoothly rotating a photosensitive drum by being mounted to a main assembly provided with no mechanism for moving a main assembly side coupling member, in its axial line direction, for transmitting a rotational force to the
20 photosensitive drum by an opening and closing operation of a main assembly cover. A further object of the present invention is to provide a photosensitive drum unit used in the process cartridge and an electrophotographic image forming apparatus to
25 which the process cartridge is mountable and from which the process cartridge is demountable.

 A further object of the present invention is to

provide a rotational force transmitting part for a process cartridge demountable from a main assembly of an electrophotographic image forming apparatus provided with a driving shaft in a direction perpendicular to an axial line of the driving shaft. A further object of the present invention is to provide a rotational force transmitting part for a photosensitive drum unit used in the process cartridge and an electrophotographic image forming apparatus to which the process cartridge is detachably mountable.

A further object of the present invention is to provide a rotational force transmitting part for a process cartridge mountable to a main assembly of an electrophotographic image forming apparatus provided with a driving shaft in a direction substantially perpendicular to an axial line of the driving shaft. A further object of the present invention is to provide a rotational force transmitting part for a photosensitive drum unit used in the process cartridge and an electrophotographic image forming apparatus to which the process cartridge is detachably mountable.

A further object of the present invention is to provide a rotational force transmitting part for a process cartridge mountable to and demountable from a main assembly of an electrophotographic image forming apparatus provided with a driving shaft in a direction substantially perpendicular to an axial line of the

driving shaft. A further object of the present invention is to provide a rotational force transmitting part for a photosensitive drum unit used in the process cartridge and an electrophotographic image forming apparatus to which the process cartridge is detachably mountable.

A further object of the present invention is to provide a rotational force transmitting part for a process cartridge which compatibly realized that the process cartridge is demountable from a main assembly provided with a driving shaft in a direction substantially perpendicular to an axial line of the driving shaft and is capable of smoothly rotating the photosensitive drum. A further object of the present invention is to provide a rotational force transmitting part for a photosensitive drum unit used in the process cartridge and an electrophotographic image forming apparatus to which the process cartridge is detachably mountable.

A further object of the present invention is to provide a rotational force transmitting part for a process cartridge which compatibly realizes that the process cartridge is mountable to a main assembly provided with a driving shaft in a direction substantially perpendicular to an axial line of the driving shaft and is capable of smoothly rotating the photosensitive drum. A further object of the present

invention is to provide a rotational force transmitting part a photosensitive drum unit used in the process cartridge and an electrophotographic image forming apparatus to which the process cartridge is
5 detachably mountable.

A further object of the present invention is to provide a rotational force transmitting part for a process cartridge which compatibly realizes that the process cartridge is mountable to and demountable from
10 a main assembly provided with a driving shaft in a direction substantially perpendicular to an axial line of the driving shaft and is capable of smoothly rotating the photosensitive drum. A further object of the present invention is to provide a rotational force
15 transmitting part for a photosensitive drum unit used in the process cartridge and an electrophotographic image forming apparatus to which the process cartridge is detachably mountable.

According to the present invention, there is
20 provided a rotational force transmitting part for a process cartridge which can be demounted from a main assembly of an electrophotographic image forming apparatus provided with the drive shaft in a direction substantially perpendicular to an axis of a drive
25 shaft.

According to the present invention, there is provided a rotational force transmitting part for a

photosensitive drum unit usable with the process cartridge and an electrophotographic image forming apparatus to which the process cartridge is detachably mountable.

5 According to the present invention, there is provided a rotational force transmitting part for a process cartridge mountable, in a direction substantially perpendicular to an axis of a drive shaft, to a main assembly of an electrophotographic
10 image forming device provided with the drive shaft.

 According to the present invention, there is provided a rotational force transmitting part for a photosensitive drum unit usable with the process cartridge and an electrophotographic image forming
15 apparatus with the detachably mountable process cartridge.

 According to the present invention, there is provided a rotational force transmitting part for a process cartridge which can be mounted and dismounted,
20 in a direction substantially perpendicular to an axis of a drive shaft, to a main assembly of an electrophotographic image forming apparatus provided with the drive shaft.

 According to the present invention, there is
25 provided a rotational force transmitting part for a photosensitive drum unit usable with the process cartridge and an electrophotographic image forming

apparatus relative to which the process cartridge can be mounted and demounted.

According to the present invention, a process cartridge is mounted to a main assembly which is not provided with a mechanism for moving a main assembly side drum coupling member for transmitting a rotational force to a photosensitive drum to an axial direction, and can rotate the photosensitive drum smoothly.

According to the present invention, a process cartridge can be demounted in a direction substantially perpendicular to an axis of a drive shaft provided in a main assembly, and simultaneously, the smooth rotation of a photosensitive drum can be carried out.

According to the present invention, a process cartridge can be mounted in a direction substantially perpendicular to an axis of a drive shaft provided in a main assembly, and simultaneously, the smooth rotation of a photosensitive drum can be carried out.

According to the present invention, a process cartridge is mountable and dismountable in a direction substantially perpendicular to an axis of a drive shaft provided in a main assembly, and simultaneously, the smooth rotation of a photosensitive drum can be carried out.

These and other objects, features, and

advantages of the present invention will become more
apparent upon consideration of the following
description of the preferred embodiments of the
present invention, taken in conjunction with the
5 accompanying drawings.

[BRIEF DESCRIPTION OF THE DRAWINGS]

Figure 1 is a sectional side elevation of a
cartridge according to an embodiment of the present
10 invention.

Figure 2 is a perspective view of the cartridge
according to the embodiment of the present invention.

Figure 3 is a perspective view of the cartridge
according to the embodiment of the present invention.

15 Figure 4 is a sectional side elevation of an
apparatus main assembly according to the embodiment of
the present invention.

Figure 5 is a perspective view and a
longitudinal sectional view of a drum flange (drum
20 shaft) according to the embodiment of the present
invention.

Figure 6 is a perspective view of a
photosensitive drum according to the embodiment of the
present invention.

25 Figure 7 is longitudinal sectional views of the
photosensitive drum according to the embodiment of the
present invention.

Figure 8 is perspective views and a longitudinal sectional view of a coupling according to the embodiment of the present invention.

Figure 9 is perspective views of a drum bearing member according to the embodiment of the present invention.

Figure 10 is detailed views of a side surface of the cartridge according to the embodiment of the present invention.

Figure 11 is exploded perspective views and longitudinal sectional views of the coupling and the bearing member according to the embodiment of the present invention.

Figure 12 is a longitudinal sectional view after the assembling of the cartridge according to the embodiment of the present invention.

Figure 13 is a longitudinal sectional view after the assembling of the cartridge according to the embodiment of the present invention.

Figure 14 is a longitudinal sectional view of the cartridge according to the embodiment of the present invention.

Figure 15 is perspective views which illustrate a combined state of the drum shaft and the coupling.

Figure 16 is perspective views which illustrate an inclined state of the coupling.

Figure 17 is perspective views and a

longitudinal sectional view of a driving structure of the apparatus main assembly according to the embodiment of the present invention.

Figure 18 is a perspective view of a cartridge set portion of the apparatus main assembly according to the embodiment of the present invention.

Figure 19 is a perspective view of the cartridge set portion of the apparatus main assembly according to the embodiment of the present invention.

Figure 20 is sectional views which illustrate a process of the mounting of the cartridge to the apparatus main assembly according to the embodiment of the present invention.

Figure 21 is perspective views which illustrate a process of the engagement between the drive shaft and the coupling according to the embodiment of the present invention.

Figure 22 is perspective views which illustrate a process of the engagement between the drive shaft and the coupling according to the embodiment of the present invention.

Figure 23 is perspective views which illustrate the coupling of the apparatus main assembly and the coupling of the cartridge according to the embodiment of the present invention.

Figure 24 is an exploded perspective view which illustrates the drive shaft, the driving gear, the

coupling, and the drum shaft according to the embodiment of the present invention.

Figure 25 is perspective views which illustrate a process of the disengagement of the coupling from the drive shaft according to the embodiment of the present invention.

Figure 26 is perspective views which illustrate the coupling and the drum shaft according to the embodiment of the present invention.

Figure 27 is perspective views which illustrate the drum shaft according to the embodiment of the present invention.

Figure 28 is perspective views which illustrate a drive shaft and a driving gear according to the embodiment of the present invention.

Figure 29 is perspective views which illustrate the coupling according to the embodiment of the present invention, and side views.

Figure 30 is exploded perspective views which illustrate the drum shaft, the drive shaft, and the coupling according to the embodiment of the present invention.

Figure 31 shows a side view and a longitudinal section of the side surface of the cartridge according to the embodiment of the present invention.

Figure 32 is a perspective view and a view, as seen from the device of the cartridge set portion of

the apparatus main assembly, according to the embodiment of the present invention.

Figure 33 is longitudinal sectional views which illustrate a dismounting process from the apparatus main assembly of the cartridge according to the
5 embodiment of the present invention.

Figure 34 is longitudinal sectional views which illustrate a mounting process to the apparatus main assembly of the cartridge according to the embodiment
10 of the present invention.

Figure 35 is perspective views which illustrate phase control means for a drive shaft according to a second embodiment of the present invention.

Figure 36 is perspective views which illustrate a mounting operation of a cartridge according to the
15 embodiment of the present invention.

Figure 37 is perspective views of a coupling according to the embodiment of the present invention.

Figure 38 is top plan views of a mounted state
20 of the cartridge as seen in a mounting direction according to the embodiment of the present invention.

Figure 39 is perspective views which illustrate a drive stop state of the process cartridge (photosensitive drum) according to the embodiment of
25 the present invention.

Figure 40 is longitudinal sectional views and perspective views which illustrate a dismounting

operation of the process cartridge according to the embodiment of the present invention.

Figure 41 is a sectional view which illustrates the state where a door provided in an apparatus main assembly is opened according to a third embodiment of the present invention.

Figure 42 is a perspective view which illustrates a mounting guide of a driving side of the apparatus main assembly according to the embodiment of the present invention.

Figure 43 is a side view of the driving side of the cartridge according to the embodiment of the present invention.

Figure 44 is a perspective view as seen from the driving side of the cartridge according to the embodiment of the present invention.

Figure 45 is side view which illustrates an inserting state of the cartridge to the apparatus main assembly according to the embodiment of the present invention.

Figure 46 is a perspective view which illustrates an attaching state of a locking member to a drum bearing member according to a fourth embodiment of the present invention.

Figure 47 is an exploded perspective view which illustrates the drum bearing member, a coupling, and a drum shaft according to the embodiment of the present

invention.

Figure 48 is a perspective view which illustrates a driving side of the cartridge according to the embodiment of the present invention.

5 Figure 49 is perspective views and longitudinal sectional views which illustrate an engaged state between a drive shaft and a coupling according to the embodiment of the present invention.

Figure 50 is an exploded perspective view which
10 illustrates a state where a pressing member was mounted to a drum bearing member according to a fifth embodiment of the present invention.

Figure 51 is exploded perspective views which illustrate the drum bearing member, a coupling, and a
15 drum shaft according to the embodiment of the present invention.

Figure 52 is a perspective view which illustrates the driving side of a cartridge according to the embodiment of the present invention.

20 Figure 53 is perspective views and longitudinal sectional views which illustrate an engaged state between a drive shaft and the coupling according to the embodiment of the present invention.

Figure 54 is an exploded perspective view which
25 illustrates a cartridge before assembling the major members according to a sixth embodiment of the present invention.

Figure 55 is a side view which illustrates a driving side according to the embodiment of the present invention.

5 Figure 56 is schematic longitudinal sectional views of a drum shaft and a coupling according to the embodiment of the present invention.

Figure 57 is longitudinal sectional views which illustrate the engagement between a drive shaft and coupling according to the embodiment of the present
10 invention.

Figure 58 is sectional views which illustrate a modified example of a coupling locking member according to the embodiment of the present invention.

Figure 59 is a perspective view which
15 illustrates an attaching state of a magnet member to a drum bearing member according to a seventh embodiment of the present invention.

Figure 60 is an exploded perspective view which illustrates the drum bearing member, a coupling, and a
20 drum shaft according to the embodiment of the present invention.

Figure 61 is a perspective view which illustrates a driving side of the cartridge according to the embodiment of the present invention.

25 Figure 62 is perspective views and longitudinal sectional views which illustrate an engaged state between a drive shaft and coupling according to the

embodiment of the present invention.

Figure 63 is a perspective view which illustrates the driving side of a cartridge according to an eighth embodiment of the present invention.

5 Figure 64 is n exploded perspective views which illustrate a state before the assembly of a bearing member according to the embodiment of the present invention.

Figure 65 is longitudinal sectional views which
10 illustrate the structures of a drum shaft, a coupling, and a bearing member according to the embodiment of the present invention.

Figure 66 is a perspective view which illustrates a driving side of an apparatus main
15 assembly guide according to the embodiment of the present invention.

Figure 67 is longitudinal sectional views which illustrate a disengagement state of a locking member according to the embodiment of the present invention.

20 Figure 68 is longitudinal sectional views which illustrate the engagement between a drive shaft and a coupling according to the embodiment of the present invention.

Figure 69 is side views which illustrate a
25 driving side of a cartridge according to a ninth embodiment of the present invention.

Figure 70 is a perspective view which

illustrates a driving side of an apparatus main assembly guide according to the embodiment of the present invention.

Figure 71 is side views which illustrate a relation between the cartridge and the main assembly guide according to the embodiment of the present invention.

Figure 72 is perspective views which illustrate a relation between the main assembly guide and the coupling according to the embodiment of the present invention.

Figure 73 is side views, as seen from the driving side, which illustrate a process of the mounting to the main assembly of the cartridge, according to the embodiment of the present invention.

Figure 74 is a perspective view which illustrates a driving side of a main assembly guide according to a tenth embodiment of the present invention.

Figure 75 is a side view which illustrates a relation between the main assembly guide and a coupling according to the embodiment of the present invention.

Figure 76 is a perspective view which illustrates a relation between the main assembly guide and the coupling according to the embodiment of the present invention.

Figure 77 is a side view which illustrates a relation between the cartridge and the main assembly guide according to the embodiment of the present invention.

5 Figure 78 is perspective views which illustrate a relation between the main assembly guide and the coupling according to the embodiment of the present invention.

10 Figure 79 is a side view which illustrates a relation between the main assembly guide and the coupling according to the embodiment of the present invention.

15 Figure 80 is a perspective view which illustrates a relation between the main assembly guide and the coupling according to the embodiment of the present invention.

20 Figure 81 is a side view which illustrates a relation between the main assembly guide and the coupling according to the embodiment of the present invention.

Figure 82 is a perspective view and a sectional view of a coupling according to an eleventh embodiment of the present invention.

25 Figure 83 is a perspective view and a sectional view of the coupling according to the embodiment of the present invention.

Figure 84 is a perspective view and a sectional

view of the coupling according to the embodiment of the present invention.

Figure 85 is perspective views and sectional views of a coupling according to a twelfth embodiment of the present invention.

Figure 86 is perspective views which illustrate a coupling according to a thirteenth embodiment of the present invention.

Figure 87 is a sectional view which illustrates a drum shaft, a drive shaft, the coupling, and an urging member according to the embodiment of the present invention.

Figure 88 is sectional views which illustrate the drum shaft, the coupling, a bearing member, and the drive shaft according to the embodiment of the present invention.

Figure 89 is a perspective view which illustrates a drum shaft and a coupling according to a 14th embodiment of the present invention.

Figure 90 is perspective views which illustrate a process of the engagement between a drive shaft and coupling according to the embodiment of the present invention.

Figure 91 is perspective views and sectional views which illustrate a drum shaft, a coupling, and a bearing member according to a 15th embodiment of the present invention.

Figure 92 is perspective views which illustrate a supporting method for a coupling (mounting method) according to a 16th embodiment of the present invention.

5 Figure 93 is perspective views which illustrate a supporting method for a coupling (mounting method) according to a 17th embodiment of the present invention.

10 Figure 94 is a perspective view of a cartridge according to an embodiment of the present invention.

Figure 95 illustrates only a coupling according to the embodiment of the present invention.

15 Figure 96 illustrates a drum flange having a coupling according to an embodiment of the present invention.

Figure 97 is sectional views taken along S22-S22 of Figure 84.

20 Figure 98 is a sectional view of a photosensitive drum unit according to an embodiment of the present invention.

Figure 99 is a sectional view taken along S23-S23 of Figure 85.

25 Figure 100 is perspective views which illustrate a combined state of a drum shaft and a coupling according to an embodiment of the present invention.

Figure 101 is perspective views which

illustrate an inclined state of a coupling according to an embodiment of the present invention.

Figure 102 is perspective views which illustrate a process of the engagement between a drive shaft and a coupling according to an embodiment of the present invention.

Figure 103 is perspective views which illustrate a process of the engagement between a drive shaft and a coupling according to an embodiment of the present invention.

Figure 104 is an exploded perspective view which illustrates a drive shaft, a driving gear, a coupling, and a drum shaft according to an embodiment of the present invention.

Figure 105 is perspective views which illustrate a process of the disengagement of a coupling from a drive shaft according to an embodiment of the present invention.

Figure 106 is perspective views which illustrate a combined state between a drum shaft and a coupling according to an embodiment of the present invention.

Figure 107 is perspective views which illustrate a combined state between a drum shaft and a coupling according to an embodiment of the present invention.

Figure 108 is perspective views showing a

combined state between a drum shaft and a coupling according to an embodiment of the present invention.

Figure 109 is a perspective view of a first frame unit which has a photosensitive drum, as seen
5 from the driving side, according to an embodiment of the present invention.

Figure 110 is a perspective view which illustrates a drum shaft and a coupling according to an embodiment of the present invention.

10 Figure 111 is a sectional view taken along S20-S20 in Figure 79.

Figure 112 is a perspective view of a photosensitive drum unit according to an embodiment of the present invention.

15

[BEST MODE FOR CARRYING OUT THE INVENTION]

The process cartridge and an electrophotographic image forming apparatus according to according to an embodiment of the present invention
20 will be described.

[Embodiment 1]

(1) Brief description of process cartridge

A process cartridge B to which an embodiment of the present invention is applied will be described
25 with reference to Figures 1 to 4. Figure 1 is a sectional view of the cartridge B. Figures 2 and 3 are perspective views of the cartridge B. Figure 4 is a

sectional view of an electrophotographic image forming apparatus main assembly A (hereinafter referred to as an "apparatus main assembly A"). The apparatus main assembly A corresponds to a portion of the
5 electrophotographic image forming apparatus from which the cartridge B is excluded.

Referring to Figures 1 to 3, the cartridge B includes an electrophotographic photosensitive drum 107. The photosensitive drum 107 is rotated by
10 receiving a rotational force from the apparatus main assembly A by a coupling mechanism when the cartridge B is mounted in the apparatus main assembly A as shown in Figure 4. The cartridge B is mountable to and demountable from the apparatus main assembly A by a
15 user.

A charging roller 108 as a charging means (process means) is provided in contact with an outer peripheral surface of the photosensitive drum 107. The charging roller 108 electrically charges the
20 photosensitive drum 107 by voltage application from the apparatus main assembly A. The charging roller 108 is rotated by the rotation of the photosensitive drum 107.

The cartridge B includes a developing roller
25 110 as a developing means (process means). The developing roller 110 supplies a developer to a developing area of the photosensitive drum 107. The

developing roller 110 develops an electrostatic latent image formed on the photosensitive drum 107 with the developer t. The developing roller 110 contains therein a magnet roller (fixed magnet) 111. In contact
5 with a peripheral surface of the developing roller 110, a developing blade 112 is provided. The developing blade 112 defines an amount of the developer t to be deposited on the peripheral surface of the developing roller 110. The developing blade 112 imparts
10 triboelectric charges to the developer t.

The developer t contained in a developer accommodating container 114 is sent to a developing chamber 113a by rotation of stirring members 115 and 116, so that the developing roller 110 supplied with a
15 voltage is rotated. As a result, a developer layer to which the electric charges are imparted by the developing blade 112 is formed on the surface of the developing roller 110. The developer t is transferred onto the photosensitive drum 107 depending on the
20 latent image. As a result, the latent image is developed.

The developer image formed on the photosensitive drum 107 is transferred onto a recording medium 102 by a transfer roller 104. The
25 recording medium 102 is used for forming an image of the developer thereon and, e.g., is recording paper, label, OHP sheet, and so on

In contact with the outer peripheral surface of the photosensitive drum 107, an elastic cleaning blade 117a as a cleaning means (process means) is disposed. The cleaning blade 117a elastically contacts the photosensitive drum 107 at its end and removes the developer t remaining on the photosensitive drum 107. after the developer image is transferred onto the recording medium 102. The developer t removed from the surface of the photosensitive drum 107 by the cleaning blade 117a is accommodated in a removed developer reservoir 117b.

The cartridge B is integrally constituted by a first frame unit 119 and a second frame unit 120.

The first frame unit 119 is constituted by a first frame 113 as a part of a cartridge frame B1. The first frame unit 119 includes the developing roller 110, the developing blade 112, the developing chamber 113a, the developer accommodating container 114, and the stirring members 115 and 116.

The second frame unit 120 is constituted by a second frame 118 as a part of the cartridge frame B1. The second frame unit 120 includes the photosensitive drum 107, the cleaning blade 117a, the removed developer reservoir 117b, and the charging roller 108.

The first frame unit 119 and the second frame unit 120 are rotatably connected with each other by a pin P. By an elastic member 135 (Figure 3) provided

between the first and second frame units 119 and 120, the developing roller 110 is pressed against the photosensitive drum 107.

The user attaches (mounts) the cartridge B to a cartridge mounting portion 130a of the apparatus main assembly A by gripping a grip. During the mounting, as described later, a driving shaft 180 (Figure 17) of the apparatus main assembly A and a coupling member 150 (described later) as a rotational force transmitting part of the cartridge B are connected with each other in synchronism with the mounting operation of the cartridge B. The photosensitive drum 107 or the like is rotated by receiving the rotational force from the apparatus main assembly A.

(2) Description of electrophotographic image forming apparatus

With reference to Figure 4, the electrophotographic image forming apparatus using the above described cartridge B will be described.

In the following, a laser beam printer will be described as an example of the apparatus main assembly A.

During image formation, the surface of the rotating photosensitive drum 107 is electrically charged uniformly by the charging roller 108. Then, the surface of the photosensitive drum 107 is

irradiated with laser light, depending on image information, emitted from an optical means 101 including unshown members such as a laser diode, a polygonal mirror, a lens, and a reflecting mirror. As
5 a result, on the photosensitive drum 107, an electrostatic latent image depending on the image information is formed. The latent image is developed by the above described developing roller 110.

On the other hand, in synchronism with the
10 image formation, the recording medium 102 set in a cassette 103a is conveyed to a transfer position by a feeding roller 103b and conveying roller pairs 103c, 103d and 103e. At the transfer position, the transfer roller 104 as a transfer means is disposed. To the
15 transfer roller 104, a voltage is applied. As a result, the developer image formed on the photosensitive drum 107 is transferred onto the recording medium 102.

The recording medium 102 onto which the developer image is transferred is conveyed to a fixing
20 means 105 through a guide 103f. The fixing means 105 includes a driving roller 105c and a fixing roller 105b containing therein a heater 105a. To the passing recording medium 102, heat and pressure are applied, so that the developer image is fixed on the recording
25 medium 102. As a result, on the recording medium 102, an image is formed. Thereafter, the recording medium 102 is conveyed by roller pairs 103g and 103h and

discharged on a tray 106. The above described roller
103b, the conveying roller pairs 103c, 103d and 103e,
the guide 103f, the roller pairs 103g and 103h, and
the like constitute a conveying means 103 for
5 conveying the recording medium 102.

The cartridge mounting portion 130a is a
portion (space) for mounting the cartridge B therein.
In a state in which the cartridge B is positioned in
the space, the coupling member 150 (described later)
10 of the cartridge B is connected with the driving shaft
of the apparatus main assembly A. In this embodiment,
the mounting of the cartridge B to the mounting
portion 130a is referred to as mounting of the
cartridge B to the apparatus main assembly A. Further,
15 demounting (removal) of the cartridge B from the
mounting portion 130b is referred to as demounting of
the cartridge B from the apparatus main assembly A.

(3) Description of constitution of drum flange

First, a drum flange at a side where the
20 rotational force is transmitted from the apparatus
main assembly A to the photosensitive drum 107
(hereinafter simply referred to a "drive side") will
be described with reference to Figure 5. Figure 5(a)
is a perspective view of the drum flange at the drive
side and Figure 5(b) is a sectional view of the drum
25 flange taken along S1 - S1 line shown in Figure 5(a).
Incidentally, with respect to an axial line direction

of the photosensitive drum, a side opposite from the drive side is referred to as a "non-drive side").

A drum flange 151 is formed of a resinous material by ejection molding. Examples of the resinous material may include polyacetal, polycarbonate, and so on. A drum shaft 153 is formed of a metallic material such as iron, stainless steel, or the like. Depending on a load torque for rotating the photosensitive drum 107, it is possible to select appropriately the materials for the drum flange 151 and the drum shaft 153. For example, the drum flange 151 may also be formed of the metallic material and the drum shaft 153 may also be formed of the resinous material. When both of the drum flange 151 and the drum shaft 153 are formed of the resinous material, they can be integrally molded.

The flange 151 is provided with an engaging portion 151a which engages with an inner surface of the photosensitive drum 107, a gear portion (helical gear or spur gear) 151c for transmitting a rotational force to the developing roller 110, and an engaging portion 151d rotatably supported on a drum bearing. More specifically, as for the flange 151, the engaging portion 151a engages with one end of a cylindrical drum 107a as will be described hereinafter. These are disposed co-axially with a rotation axis L1 of the photosensitive drum 107. And, the drum engaging

portion 151a has a cylindrical shape, and a base 151b perpendicular thereto is provided. The base 151b is provided with a drum shaft 153 outwardly projected with respect to the direction of the axis L1. This drum shaft 153 is co-axial with the drum engaging portion 151a. These are fixed so as to be co-axial with the rotation axis L1. As for the fixing method thereof the press-fitting, the bonding, the insert molding, and so on are available, and they are selected properly.

The drum shaft 153 comprises the circular column portion 153a which has a projection configuration, and is disposed so as to be co-axially with the rotation axis of the photosensitive drum 107. The drum shaft 153 is provided on the end part of the photosensitive drum 107 on the axis L1 of the photosensitive drum 107. In addition, the drum shaft 153 is about 5 - 15mm in diameter in consideration of the material, the load, and the space. A free end portion 153b of the circular column portion 153a has a semi-spherical surface configuration so that it can incline smoothly, when an axis of a drum coupling member 150 which is a rotating force transmitting portion inclines, as will be described in detail hereinafter. In addition, in order to receive the rotational force from the drum coupling member 150, a rotating force transmitting pin (rotating force

receiving member (portion) 155 are provided on the photosensitive drum 107 side of the free end of the drum shaft 153. The pin 155 is extended in the direction substantially perpendicular to the axis of the drum shaft 153.

The pin 155 as the rotational force receiving member has a cylindrical shape which has a diameter smaller than that of the circular column portion 153a of the drum shaft 153, and is made of the metal or the resin material. And, it is fixed by press-fitting, bonding, and so on to the drum shaft 153. And, the pin 155 is fixed in the direction which the axis thereof intersects the axis L1 of the photosensitive drum 107. Preferably, it is desirable to dispose the axis of the pin 155 so as to pass the center P2 of the spherical surface of the free end portion 153b of the drum shaft 153 (figure 5 (b)). Although the free end portion 153b is the semi-spherical surface configuration actually, the center P2 is the center of a phantom spherical surface that the semispherical surface makes the part thereof. In addition, the number of the pins 155 can be selected properly. In this embodiment, a single pin 155 is used from the standpoint of the assembling property and in order to transmit driving torque assuredly. The pin 155 passes said center P2, and is through the drum shaft 153. And, the pin 155 is outwardly projected at the positions of the peripheral

surface of the drum shaft 153 which are diametrically opposite (155a1, 155a2). More particularly, the pin 155 is projected in the direction perpendicular to the axis (axis L1) of the drum shaft 153 relative to the drum shaft 153 at the two opposite places (155a1, 155a2). By this, the drum shaft 153 receives the rotational force from the drum coupling member 150 at the two places. In this embodiment, the pin 155 is mounted to the drum shaft 153 in the range of 5mm from the free end of the drum shaft 153. However, this does not limit the present invention.

In addition, a space portion 151e formed by the engaging portion 151d and the base 151b receives a part of drum coupling member 150, in mounting the drum coupling member 150 (which will be described hereinafter) to the flange 151.

In this embodiment, the gear portion 151a for transmitting the rotational force to the developing roller 110 is mounted to the flange 151. However, the rotation of the developing roller 110 may be transmitted not through the flange 151. In that case, the gear portion 151c is unnecessary. However, in the case of disposing the gear portion 151a at the flange 151, integral molding, with the flange 151, of the gear portion 151a can be utilized.

The flange 151, the drum shaft 153, and the pin 155 function as the rotational force receiving member

which receives the rotational force from the drum coupling member 150 as will be described hereinafter.

(4) Structure of electrophotographic photosensitive member drum unit

Referring to Figure 6 and Figure 7, the structure of an electrophotographic photosensitive member drum unit ("drum unit") will be described. Figure 6 (a) is a perspective view, as seen from the driving side, of the drum unit U1, and Figure 6 (b) is a perspective view as seen from the non-driving side. In addition, Figure 7 is a sectional view taken along S2-S2 of Figure 6 (a).

The photosensitive drum 107 has a cylindrical drum 107a coated with a photosensitive layer 107b on the peripheral surface.

The cylindrical drum 107a has an electroconductive cylinder, such as the aluminum, and the photosensitive layer 107b applied thereon. The opposite ends thereof are provided with the drum surface and the substantially co-axial opening 107a1, 107a2, in order to engage the drum flange (151, 152). More particularly, the drum shaft 153 is provided on the end part of the cylindrical drum 107a co-axially with the cylindrical drum 107a. Designated by 151c is a gear and transmits a rotational force which the coupling 150 received from a drive shaft 180 to a

developing roller 110. The gear 151c is integrally molded with the flange 15.

The cylinder 107a may be hollow or solid.

As to the drum flange 151 of the driving side, since it has been described in the foregoing, the description is omitted.

A drum flange 152 of the non-driving side is made of the resin material similarly to the driving side with injection molding. And, a drum engaging portion 152b and a bearing portion 152a are substantially co-axially disposed with each other. In addition, the flange 152 is provided with a drum grounding plate 156. The drum grounding plate 156 is an electroconductive thin plate (metal). The drum grounding plate 156 includes contact portions 156b1, 156b2 which contact the inner surface of the electroconductive cylindrical drum 107a, and a contact portion 156a which contacts the drum grounding shaft 154 (which will be described hereinafter). And, for the purpose of grounding the photosensitive drum 107, the drum grounding plate 156 is electrically connected with the apparatus main assembly A.

A drum flange 152 of the non-driving side is made of the resin material, similarly to the driving side with injection molding. And, a drum engaging portion 152b and a bearing portion 152a are substantially co-axially disposed with each other. In

addition, the flange 152 is provided with a drum
grounding plate 156. The drum grounding plate 156 is
an electroconductive thin plate (metal). The drum
grounding plate 156 includes contact portions 156b1,
5 156b2 which contact the inner surface of the
electroconductive cylindrical drum 107a, and a contact
portion 156a which contacts the drum grounding shaft
154 (which will be described hereinafter). And, for
the purpose of grounding the photosensitive drum 107,
10 the drum grounding plate 156 is electrically connected
with the apparatus main assembly A.

Although it has been described that the drum
grounding plate 156 is provided in the flange 152, the
present invention is not limited to such an example.
15 For example, the drum grounding plate 156 may be
disposed at the drum flange 151, and it is possible to
select properly the position which can be connected
with the ground.

Thus, the drum unit U1 comprises the
20 photosensitive drum 107 which has the cylinder 107a,
the flange 151, the flange 152, the drum shaft 153,
the pin 155, and the drum grounding plate 156.

(5) Rotational force transmitting portion (drum
25 coupling member)

The description will be made, referring to
Figure 8 as to an example of the drum coupling member

which is the rotational force transmitting portion.
Figure 8 (a) is a perspective view, as seen from the
apparatus main assembly side, of the drum coupling
member, Figure 8 (b) is a perspective view, as seen
5 from the photosensitive drum side, of the drum
coupling member, and Figure 8 (c) is a view seen in
the direction perpendicular to the direction of the
coupling rotation shaft L2. In addition, Figure 8 (d)
is the side view, as seen from the apparatus main
10 assembly side, of the drum coupling member, Figure 8
(e) is the Figure, as seen from the photosensitive
drum side, and Figure 8 (f) is a sectional view taken
along S3 in Figure 8 (d).

The drum coupling member ("coupling") 150
15 engages with a drive shaft 180 (Figure 17) of the
apparatus main assembly A in the state where the
cartridge B is mounted set to the installation section
130a. In addition, the coupling 150 is disengaged from
the drive shaft 180, when the cartridge B is taken out
20 from the apparatus main assembly A. And, the coupling
150 receives a rotational force from a motor provided
in the apparatus main assembly A through the drive
shaft 180 in the state where it is engaged with the
drive shaft 180. In addition, the coupling 150
25 transmits the rotational force thereof to the
photosensitive drum 107. The materials available for
the coupling 150 are the resin materials, such as

polyacetal and the polycarbonate PPS. However, in order to raise a rigidity of the coupling 150, the glass fibers, the carbon fibers, and so on may be mixed in the above described resin material correspondingly to a required load torque. In the case of mixing said material, the rigidity of the coupling 150 can be raised. In addition, in the resin material, the metal may be inserted, then the rigidity may further be raised, and the whole coupling may be manufactured from the metal and so on.

The coupling 150 mainly comprises three portions.

The first portion is engageable with the drive shaft 180 (which will be described hereinafter), and it is a coupling side driven portion 150a for receiving the rotational force from the rotational force transmitting pin 182 which is a rotational force applying portion (main assembly side rotational force transmitting portion) provided on the drive shaft 180. In addition, the second portion is engageable with the pin 155, and it is a coupling side driving portion 150b for transmitting the rotational force to the drum shaft 153. In addition, the third portion is a connecting portion 150c for connecting the driven portion 150a and the driving portion 150b with each other (Figure 8 (c) and (f)).

The driven portion 150a, the driving portion

150b, and the connecting portion 150c may be molded integrally, or, alternatively, the separate parts may be connected with each other. In this embodiment, these are integrally molded with resin material. By this, the manufacturing of the coupling 150 is easy and the accuracy as the parts is high. As shown in Figure 8(f) the driven portion 150a is provided with a drive shaft insertion opening portion 150m which expands toward the rotation axis L2 of the coupling 150. The driving portion 150b has a drum shaft insertion opening portion 150l. which expands toward the rotation axis L2.

The opening 150m has a conical driving shaft receiving surface 150f as an expanded part which expands toward the drive shaft 180 side in the state where the coupling 150 is mounted to the apparatus main assembly A. The receiving surface 150f constitutes a recess 150z as shown in Figure 8 (f). The recess 150z includes the opening 150m at a position opposite the side adjacent the photosensitive drum 107 with respect to the direction of the axis L2.

By this, regardless of rotation phase of the photosensitive drum 107 in the cartridge B, the coupling 150 can pivot among a rotational force transmitting angular position, a pre-engagement angular position, and a disengaging angular position relative to the axis L1 of the photosensitive drum 107.

without being prevented by the free end portion of the drive shaft 180. The rotational force transmitting angular position, the pre-engagement angular position, and the disengaging angular position will be described hereinafter.

A plurality of projections (the engaging portions) 150d1 - 150d4 are provided at equal intervals on a circumference about the axis L2 on an end surface of the recess 150z. Between the adjacent projections 150d 1, 150d 2, 150d3, 150d4, the standing-by portions 150k1, 150k2, 150k3, 150k4 are provided. An intervals between the adjacent projections 150d1 - 150d4 is larger than the outer diameter of the pin 182, so that the rotational force transmitting pins of the drive shaft 180 provided in the apparatus main assembly A (rotational force applying portions) 182 are received. The recesses between the adjacent projections are the standing-by portions 150k1-k4. When the rotational force is transmitted to the coupling 150 from the drive shaft 180, the transmission pins 182a1, 182a2 are received by any of the standing-by portions 150k1-k4. In addition, in Figure 8 (d), the rotational force reception surfaces (rotational force receiving portions) 150e crossing with a rotational direction of the coupling 150 and (150e1-150e4) are provided in the downstream with respect to the clockwise direction

(X1) of each projection 150d. More particularly, the projection 150d1 has a receiving surface 150e1, the projection 150d2 has a receiving surface 150e2, the projection 150d3 has a receiving surface 150e3, and, and, a projection 150d4 has a receiving surface 150e4. In the state where the drive shaft 180 rotates, the pin 182a1, 182a2 contacts to any of the receiving surface 150e1-150e4. By doing so, the receiving surface 150e contacted by the pin 182a1, 182a2 is pushed by the pin 182. By this, the coupling 150 rotates about the axis L2. The receiving surface 150e1-150e4 is extended in the direction crossing with the rotational direction of the coupling 150.

In order to stabilize the running torque transmitted to the coupling 150 as much as possible, it is desirable to dispose the rotational force receiving surfaces 150e on the same circumference that has the center on the axis L2. By this, the rotational force transmission radius is constant and the running torque transmitted to the coupling 150 is stabilized. In addition, as for the projections 150d1-150d4, it is preferable that the position of the by coupling 150 is stabilized by the balance of the forces which the coupling receives. For that reason, in this embodiment, the receiving surfaces 150e are disposed at the diametrically opposed positions (180 degrees). More particularly, in this embodiment, the receiving

surface 150e1 and the receiving surface 150e3 are diametrically opposed relative to each other, and the receiving surface 150e2 and the surface 150e4 are diametrically opposed relative to each other (Figure 8 (d)). By this arrangement, the forces which the coupling 150 receives constitute a force couple. Therefore, the coupling 150 can continue rotary motion only by receiving the force couple. For this reason, the coupling 150 can rotate without the necessity of being specified in the position of the rotation axis L2 thereof. In addition, as for the number thereof, as long as the pins 182 of the drive shaft 180 (the rotational force applying portion) can enter the standing-by portions 150k1-150k2, it is possible to select suitably. In this embodiment, as shown in Figure 8 the four receiving surfaces are provided. This embodiment is not limited to this example. For example, the receiving surfaces 150e (projections 150d1-150d4) do not need to be disposed on the same circumference (the phantom circle C1 and Figure 8(d)). Or, it is not necessary to dispose at the diametrically opposed positions. However, the effects described above can be provided by disposing the receiving surfaces 150e as described above.

Here, in this embodiment, the diameter of the pin is approximately 2 mm, and a circumferential length of the stand-by portion 150k is approximately 8

mm. The circumferential length of the stand-by portion 150k is an interval between adjacent projections 150d (on the phantom circle). The dimensions are not limiting to the present invention.

5 Similarly to the opening 150m, a drum shaft insertion opening portion 150l has a conical rotational force receiving surface 150i of an expanded part which expands toward the drum shaft 153 in the state where it is mounted to the cartridge B.
10 The receiving surface 150i constitutes a recess 150q, as shown in Figure 8 (f).

 By this, irrespective of the rotation phase of the photosensitive drum 107 in the cartridge B, the coupling 150 can pivot among a rotational force
15 transmitting angular position, a pre-engagement angular position, and a disengaging angular position to the drum axis L1 without being prevented by the free end portion of the drum shaft 153. The recess 150q is constituted in the illustrated example by a
20 conical receiving surface 150i which it has centering on the axis L2. The standby openings 150g 1 or 150g2 ("opening") are provided in the receiving surface 150i (Figure 8b). As for the coupling 150, the pins 155 can be inserted into the inside of this opening 150g 1 or
25 150g2 so that it may be mounted to the drum shaft 153. And, the size of the openings 150g 1 or 150g2 is larger than the outer diameter of the pin 155. By

doing so, irrespective of the rotation phase of the photosensitive drum 107 in the cartridge B, the coupling 150 is pivotable among the rotational force transmitting angular position and the pre-engagement angular position (or disengaging angular position) as will be described hereinafter without being prevented by the pin 155.

More particularly, the projection 150d is provided adjacent to the free end of the recess 150z. And, the projections (projections) 150d project in the intersection direction crossing with the rotational direction in which the coupling 150 rotates, and are provided with the intervals along the rotational direction. And, in the state where the cartridge B is mounted to the apparatus main assembly A, the receiving surfaces 150e engage to or abutted to the pin 182, and are pushed by the pin 182.

By this, the receiving surfaces 150e receive the rotational force from the drive shaft 180. In addition, the receiving surfaces 150e are disposed in equidistant from the axis L2, and constitute a pair interposing the axis L2 they are constituted by the surface in the intersection direction in the projections 150d. In addition, the standing-by portions (recesses) 150k are provided along the rotational direction, and they are depressed in the direction of the axis L2.

The standing-by portion 150k is formed as a space between the adjacent projections 150d. In the state where the cartridge B is mounted to the apparatus main assembly A, the pin 182 enters the standing-by portion 150k, and it stands by for being driven. And, when the drive shaft 180 rotates, the pin 182 pushes the receiving surface 150e.

By this, the coupling 150 rotates.

The rotational force receiving surface (rotational force receiving member (portion)) 150e may be disposed inside of the driving shaft receiving surface 150f. Or, the receiving surface 150e may be provided in the portion outwardly projected from the receiving surface 150f with respect to the direction of the axis L2. When the receiving surface 150e is disposed inside of the receiving surface 150f, the standing-by portion 150k is disposed inside of the receiving surface 150f

More particularly, the standing-by portion 150k is the recess provided between the projections 150d in the inside of the arc part of the receiving surface 150f. In addition, when the receiving surface 150e is disposed at the position which outwardly projects, the standing-by portion 150k is the recess positioned between the projections 150d. Here, the recess may be a through hole extended in the direction of the axis L2, or it may be closed at one end thereof. More

particularly, the recess is provided by the space region provided between the projection 150d. And, what is necessary is just to be able to enter the pin 182 into the region in the state where the cartridge B is mounted to the apparatus main assembly A.

These structures of the standing-by portion apply similarly to the embodiments as will be described hereinafter.

In Figure 8 (e), the rotational force transmission surfaces (the rotational force transmitting portions) 150h and (150h 1 or 150h2) are provided in the upstream, with respect to the clockwise direction (X1), of the opening 150g 1 or 150g2. And, the rotational force is transmitted to the photosensitive drum 107 from the coupling 150 by the convection sections 150h 1 or 150h2 contacting to any of the pins 155a1, 155a2. More particularly, the transmitting surfaces 150h 1 or 150h2 push the side surface of the pin 155. By this, the coupling 150 rotates with the center thereof aligned with the axis L2. The transmitting surface 150h 1 or 150h2 is extended in the direction crossing with the rotational direction of the coupling 150.

Similarly to the projection 150d, it is desirable to dispose the transmitting surfaces 150h 1 or 150h2 diametrically opposed relative to each other on the same circumference.

At the time of manufacturing the drum coupling member 150 with an injection molding, the connecting portion 150c may become thin. This is because the coupling is manufactured so that the driving force receiving portion 150a, the driving portion 150b and the connecting portion 150c have a substantially uniform thickness. When the rigidity of the connecting portion 150c is insufficient, therefore, it is possible to make the connecting portion 150c thick so that driven portion 150a, the driving portion 150b, and the connecting portion 150c have the substantially equivalent thickness.

(6) drum bearing member

The description will be made, referring to Figure 9, about a drum bearing member. Figure 9 (a) is a perspective view, as seen from a drive shaft side, and Figure 9 (b) is a perspective view, as seen from the photosensitive drum side.

The drum bearing member 157 rotatably supports the photosensitive drum 107 on the second frame 118. In addition, the bearing member 157 has a function of positioning the second frame unit 120 in the apparatus main assembly A. Further, it has the function of retaining the coupling 150 so that the rotational force can be transmitted to the photosensitive drum 107.

As shown in Figure 9 an engaging portion 157d positioned to the second frame 118 and a peripheral part 157c positioned in the apparatus main assembly A are substantially co-axially disposed. The engaging portion 157d and the peripheral part 157c are annular. And, the coupling 150 is disposed in the space portion 157b inside thereof. The engaging portion 157d and the peripheral part 157c are provided with a rib 157e for retaining the coupling 150 in the cartridge B in the neighborhood of the central portion with respect to the axial direction. The bearing member 157 is provided with holes 157g 1 or 157g2 which penetrate the abutment surface 157f and the fixing screw for fixing the bearing member 157 to the second frame 118. As will be described hereinafter, the guide portion 157a for mounting and demounting on and the cartridge B relative to the apparatus main assembly A is integrally provided on the bearing member 157.

(7) Coupling mounting method

Referring to Figure 10 - Figure 16, the description will be made as to the mounting method of the coupling. Figure 10 (a) is an enlarged view, as seen from the driving side surface, of the major part around the photosensitive drum. Figure 10 (b) is an enlarged view, as seen from the non-driving side surface, of the major part. Figure 10 (c) is a

sectional view taken along S4-S4 of Figure 10 (a).
Figure 11 (a) and (b) are an exploded perspective
views which illustrate the state before attachment of
the primary members of the second frame unit. Figure
5 11 (c) is a sectional view taken along S5-S5 in Figure
11 (a). Figure 12 is a sectional view which
illustrates a state after attaching. Figure 13 is a
sectional view taken along S6-S6 of Figure 11 (a).
Figure 14 is a sectional view which illustrates a
10 state after rotating the coupling and the
photosensitive drum through 90 degrees from the state
of Figure 13. Figure 15 is a perspective view which
illustrates the combined state of the drum shaft and
the coupling. Figure 15(a1)-(a5) are front views, as
15 seen from the axial direction of the photosensitive
drum, and Figure 15(b1)-(b5) are perspective views.
Figure 16 is a perspective view which illustrates the
state where the coupling is inclined in the process
cartridge.

20 As shown in Figure 15 the coupling 150 is
mounted so that the axis L2 thereof can incline in any
direction relative to the axis L1 of the drum shaft
153 (coaxial with the photosensitive drum 107).

In Figure 15 (a1) and Figure 15 (b1), the axis
25 L2 of the coupling 150 is co-axial with the axis L1 of
the drum shaft 153. The state when the coupling 150 is
inclined upward from this state is illustrated in

Figure 15 (a2) and (b2). As shown in this Figure, when the coupling 150 is inclined toward the opening 150g side, the opening 150g moves along the pin 155. As a result, the coupling 150 is inclined about an axis AX perpendicular to the axis of the pin 155.

In Figure 15 (a3) and (b3), the state where the coupling 150 is inclined rightward is shown. As shown in this Figure, when the coupling 150 inclines in the orthogonality direction of the opening 150g, the opening 150g rotates about the pin 155. The axis of rotation is the axis line AY of the pin 155.

The state where the coupling 150 is inclined downward is shown in Figure 15 (a4) and (b4), and the state where the coupling 150 is inclined leftward is shown in Figure 15 (a5) and (b5). The rotation axes AX and AY have been described in the foregoing.

In the directions different from the inclining direction described in the foregoing, for example, in the 45-degree direction in Figure 15 (a1) and so on, the inclination is made by combining the rotations in the axes AX and the directions of AY. Thus, the axis L2 can be pivoted in any direction relative to the axis L1.

More particularly, the transmitting surface (rotational force transmitting portion) 150h is movable relative to the pin (rotational force receiving portion) 155. The pin 155 has the

transmitting surface 150 in the movable condition. And, the transmitting surface 150h and the pin 155 are engaged to each other in the rotational direction of the coupling 150. In this manner, the coupling 150 is mounted to the cartridge. In order to accomplish this, the gap is provided between the transmitting surface 150h and the pin 155. By this, the coupling 150 is pivotable in all directions substantially relative to the axis L1.

As described above, the opening 150g is extended in the direction (the rotational axis direction of the coupling 150) crossing with the projection direction of the pins 155 at least. Therefore, as has been described hereinbefore, the coupling 150 is pivotable in all the directions.

It has been mentioned that the axis L2 is slantable or inclinable in any direction relative to the axis L1. However, the axis L2 does not necessarily need to be linearly slantable to the predetermined angle in the full range of 360-degree direction in the coupling 150. For example, the opening 150g can be selected to be slightly wider in the circumferential direction. By doing so, the angle of the axis L2 inclining relative to the axis L1, even if it is the case where it cannot incline to the predetermined angle linearly, the coupling 150 can rotate to a slight degree around the axis L2. Therefore, it can be

inclined to the predetermined angle. In other words, the amount of the play in the rotational direction of the opening 150g is selected properly if necessary.

In this manner, the coupling 150 is revolvable or swingable over the full-circumference substantially relative to drum shaft (rotational force receiving member) 153. More particularly, the coupling 150 is pivotable over the full-circumference thereof substantially relative to the drum shaft 153.

Furthermore, as will be understood from the foregoing explanation, the coupling 150 is capable of whirling in and substantially over the circumferential direction of the drum shaft 153. Here, the whirling motion is not a motion with which the coupling itself rotates about the axis L2, but the inclined axis L2 rotates about the axis L1 of the photosensitive drum, although the whirling here does not preclude the rotation of the coupling per se about the axis L2 of the coupling 150.

The process of the assembling the parts will be described.

First, the photosensitive drum 107 is mounted in the direction X1 in Figure 11 (a) and Figure 11 (b). At this time, the bearing portion 151d of the flange 151 is made to substantially co-axially engage with the centering portion 118h of the second frame 118. In addition, bearing hole 152a (Figure 7 of the flange

152 (a)) is substantially co-axially engaged with the centering portion 118g of the second frame 118.

The drum grounding shaft 154 is inserted into the direction X2. And, the centering portion 154b is penetrated through the bearing hole 152a (Figure 6b) and the centering hole 118g (Figure 10 (b)). At this time, the centering portion 154b and the bearing hole 152a are supported so that the photosensitive drum 107 is rotatable. On the other hand, the centering portion 154b and the centering hole 118g are supported fixedly by the press-fitting and so on. By this, the photosensitive drum 107 is rotatably supported relative to the second frame. Alternatively, it may be fixed non-rotatably relative to the flange 152, and the drum grounding shaft 154 (centering portion 154b) may be rotatably mounted to the second frame 118.

The coupling 150 and the bearing member 157 are inserted in the direction X3. First, the driving portion 150b is inserted toward the direction X3 downstream, while maintaining the axis L2 (Figure 11c) in parallel with X3. At this time, the phase of the pin 155 and the phase of the opening 150g are matched with each other, and the pin 155 is made inserted into the openings 150g 1 or 150g2. And, the free end portion 153b of the drum shaft 153 is abutted to the drum bearing surface 150i. The free end portion 153b is the spherical surface and the drum bearing surface

150i is a conic surface. That is, the drum bearing surface 150i of the conic surface which is the recess, and the free end portion 153b of the drum shaft 153 which is the projection contact to each other.

5 Therefore, the driving portion 150b side is positioned relative to the free end portion 153b. As has been described hereinbefore, when the coupling 150 rotates by the transmission of the rotational force from the apparatus main assembly A, the pin 155 positioned in
10 the opening 150g will be pushed by the rotational force transmission surfaces (the rotational force transmitting portions) 150h 1 or 150h2 and (Figure 8b). By this, the rotational force is transmitted to the photosensitive drum 107. Thereafter, the engaging
15 portion 157d is inserted downstream with respect to the direction X3. By this, a part of coupling 150 is received in the space portion 157b. And, the engaging portion 157d supports the bearing portion 151d of the flange 151, so that the photosensitive drum 107 is
20 rotatable. In addition, the engaging portion 157d engages with the centering portion 118h of the second frame 118. The abutment surface 157f of the bearing member 157 abuts to the abutment surface 118j of the second frame 118. And, the screws 158a, 158b are
25 penetrated through the holes 157g 1 or 157g2, and they are fixed to the screw holes 118k1, 118k2 of the second frame 118, so that the bearing member 157 is

fixed to the second frame 118 (Figure 12).

The dimensions of the various portions of the coupling 150 will be described. As shown in Figure 11 (c), a maximum outer diameter of the driven portion 150a is $\Phi D2$, a maximum outer diameter of the driving portion 150b is $\Phi D1$, and a small diameter of the standby opening 150g is $\Phi D3$. In addition, a maximum outer diameter of the pin 155 is $\Phi D5$, and an inner diameter of the retention rib 157e of the bearing member 157 is $\Phi D4$. Here, the maximum outer diameter is the outer diameter of a maximum rotation locus about the axis L1 or the axis L2. At this time, since $\Phi D5 < \Phi D3$ is satisfied, the coupling 150 can be assembled to the predetermined position by the straight mounting operation in the direction X3 therefore, the assembling property is high (the state after the assembly is shown in Figure 12). The diameter of the inner surface $\Phi D4$ of the retention rib 157e of the bearing member 157 is larger than $\Phi D2$ of the coupling 150, and smaller than $\Phi D1$ ($\Phi D2 < \Phi D4 < \Phi D1$). By this, just the step attached to the direction X3 straight is sufficient to assemble the bearing member 157 to the predetermined position. For this reason, the assembling property can be improved (the state after the assembly is shown in Figure 12).

As shown in Figure 12, the retention rib 157e of the bearing member 157 is disposed closely to a

flange portion 150j of the coupling 150 in the direction of the axis L1. More specifically, in the direction of the axis L1, the distance from an end surface 150j1 of the flange portion 150j to the axis L4 of the pin 155 is n1. In addition, the distance from an end surface 157e1 of the rib 157e to the other end surface 157j2 of the flange portion 150j is n2. The distance $n2 < \text{distance } n1$ is satisfied.

In addition, with respect to the direction perpendicular to the axis L1, the flange portion 150j and the rib 157e are disposed so that they are overlapped relative to each other. More specifically, the distance n4 from the inner surface 157e3 of the rib 157e to the outer surface 150j3 of the flange portion 150j is the overlap amount n4 with respect to the orthogonality direction of the axis L1.

By such settings, the pin 155 is prevented from disengaging from the opening 150g. That is, the movement of the coupling 150 is limited by the bearing member 157. Thus, the coupling 150 does not disengage from the cartridge. The prevention of disengagement can be accomplished without additional parts. The dimensions described above are desirable from the standpoint of reduction of manufacturing and assembling costs. However, the present invention is not limited to these dimensions.

As described above (Figure 10 (c) and Figure

13), the receiving surface 150i which is the recess 150q of the coupling 150 is in contact with the free end surface 153b of the drum shaft 153 which is the projection. Therefore, the coupling 150 is swung along the free end portion (the spherical surface) 153b about the center P2 of the free end portion (the spherical surface) 153b in other words, the axis L2 is pivotable substantially in all directions irrespective of the phase of the drum shaft 153. The axis L2 of the coupling 150 is pivotable in all directions substantially. As will be described hereinafter, in order that the coupling 150 may engage with the drive shaft 180, the axis L2 is inclined toward the downstream with respect to the mounting direction of the cartridge B relative to the axis L1, just before the engagement. In other words, as shown in Figure 16, the axis L2 inclines so that the driven portion 150a positions at the downstream side with respect to the mounting direction X4 relative to the axis L1 of the photosensitive drum 107 (the drum shaft 153). In Figures 16 (a)-(c), although the positions of the driven portion 150a slightly differ relative to each other, they are positioned at the downstream side with respect to the mounting direction X4 in any case.

25 The still more detailed description will be made.

As shown in Figure 12, a distance n3 between a

maximum outer diameter part and bearing member 157 of the driving portion 150b is selected so that a slight gap is provided between them. By this, as has been described hereinbefore, the coupling 150 is pivotable.

5 As shown in Figure 9, the rib 157e is a semi-circular rib. The rib 157e is disposed at the downstream with respect to the mounting direction X4 of the cartridge B. Therefore, as shown in Figure 10 (c), the driven portion 150a side of the axis L2 is
10 greatly pivotable in the direction X4. In other words, the driving portion 150b side of the axis L2 is greatly pivotable in the direction of angle α_3 at phase (Figure 9(a) at which the rib 157e is not disposed. Figure 10 (c) illustrates the state where
15 the axis L2 inclined. In addition, it can also be pivoted to the state substantially parallel to the axis L1 by which it is shown in Figure 13 from the state of the inclined axis L2 shown in Figure 10 (c). In this manner, the rib 157e is disposed. By this, the
20 coupling 150 can be mounted by the simple method to the cartridge B. Further, in addition, no matter the drum shaft 153 may stop with what phase, the axis L2 is pivotable relative to the axis L1. The rib is not limited to the semi-circular rib. As long as the
25 coupling 150 is pivotable to the predetermined direction, and it is possible to mount the coupling 150 to Cartridge B (photosensitive drum 107), any rib

is usable. In this manner, the rib 157e has a function as the regulating means for regulating the inclining direction of the coupling 150.

In addition, a distance $n2$ (Figure 12) in the direction of the axis $L1$ from the rib 157e to the flange portion 150j is shorter than a distance $n1$ from the center of the pin 155 to the driving portion 150b side edge. By this, the pin 155 does not disengage from the opening 150g.

As described above, the coupling 150 is supported by the both of the drum shaft 153 and the drum bearing 157 substantially. More particularly, the coupling 150 is mounted to the cartridge B by the drum shaft 153 and the drum bearing 157 substantially.

The coupling 150 has a play (the distance $n2$) in the direction of the axis $L1$ relative to the drum shaft 153. Therefore, the receiving surface 150i (the conic surface) may not contact snugly the drum shaft free end portion 153b (the spherical surface). In other words, the center of the pivoting may deviate from the center of curvature $P2$ of the spherical surface. However, even in such a case, the axis $L2$ is pivotable relative to the axis $L1$. For this reason, the purpose of this embodiment can be accomplished.

In addition, maximum possible inclination angle $\alpha4$ (Figure 10 (c)) between the axis $L1$ and the axis $L2$ is the one half of the taper angle ($\alpha1$, Figure

8(f)) between the axis L2 and the receiving surface 150i. The receiving surface 150i has conical shape and the drum shaft 153 has the cylindrical shape. For this reason, the gap g of angle $\alpha/2$ is provided between
5 them. By this, the taper angle α 1 changes, and therefore, the inclination angle α 4 of the coupling 150 are set to the optimal value. In this manner, since the receiving surface 150i is the conic surface, the circular column portion 153a of the drum shaft 153
10 is satisfactory with the simple cylindrical shape. In other words, the drum shaft does not need to have a complicated configuration. Therefore, the machining cost of the drum shaft can be suppressed.

In addition, as shown in Figure 10 (c), when
15 the coupling 150 inclines, a part of coupling can circumvent into illustration) by space portion 151e (hatching of the flange 151. By this, the lightening cavity (Space portion 151e) of the gear portion 151c can be used without futility. Therefore, effective use
20 of the space can be done. Incidentally, the lightening cavity (Space portion 151e) is not usually used.

As described above, in the embodiment of Figure 10 (c), the coupling 150 is mounted so that a part of a coupling 150 may locate at the position
25 which overlaps the gear portion 151c with respect to the direction of the axis L2. In the case of the flange which does not have the gear portion 151c, a

part of coupling 150 can further enter into the cylinder 107a.

When the axis L2 inclines, the width of the opening 150g is selected in consideration of the size of the pin 155 so that the pin 155 may not interfere.

More particularly, the transmitting surface (rotational force transmitting portion) 150h is movable relative to the pin (rotational force receiving portion) 155. The pin 155 has the transmitting surface 150 in the movable condition. And, the transmitting surface 150h and the pin 155 are engaged to each other in the rotational direction of the coupling 150. In this manner, the coupling 150 is mounted to the cartridge. In order to accomplish this, the gap is provided between the transmitting surface 150h and the pin 155. By this, the coupling 150 is pivotable in all directions substantially relative to the axis L1.

The locus of the flange portion 150j when the driven portion 150a side inclines in the direction X5 is illustrated by the region T1 in Figure 14. As shown in the Figure, even if the coupling 150 inclines, the interference with the pin 155 does not occur, and therefore, the flange portion 150j can be provided over the full-circumference of the coupling 150 (Figure 8 (b)). In other words, the shaft receiving surface 150i has conical shape, and therefore, when

the coupling 150 inclines, the pin 155 does not enter in the region T1. For this reason, the cutting away range of the coupling 150 is minimized. Therefore, the rigidity of the coupling 150 can be assured.

5 In the above described mounting process, the process (the non-driving side) in the direction X2 and the process (the driving side) in the direction X3 may be exchanged.

 The bearing member 157 has been described as
10 being fixed on the screws to the second frame 118. However, the present invention is not limited to such an example. For example, like the bonding, if the bearing member 157 is fixable to the second frame 118, the any method will be usable.

15

(8) drive shaft and driving structure of the apparatus main assembly

 Referring to Figure 17, the description will be made as to the structure for driving the
20 photosensitive drum 107 in the apparatus main assembly A. Figure 17 (a) is a partly broken perspective view of the side plate of the driving side in the state where the cartridge B is not mounted to the apparatus main assembly A. Figure 17 (b) is a perspective view
25 which illustrates only the drum driving structure. Figure 17 (c) is the sectional view taken along S7-S7 of Figure 17 (b).

The drive shaft 180 has the substantially similar structure as the above described drum shaft 153. In other words, the free end portion 180b thereof forms a semispherical surface. In addition, it has a rotational force transmitting pin 182 as a rotational force applying portion of the main part 180a of the cylindrical shape which penetrates the center substantially. The rotational force is transmitted to the coupling 150 by this pin 182.

10 A drum driving gear 181 substantially co-axial with the axis of the drive shaft 180 is provided on the longitudinally opposite side of the free end portion 180b, of the drive shaft 180. The gear 181 is fixed non-rotatably relative to the drive shaft 180. Therefore, the rotation of the gear 181 will also rotate the drive shaft 180.

In addition, the gear 181 is engaged with a pinion gear 187 for receiving the rotational force from the motor 186. Therefore, the rotation of the motor 186 will rotate the drive shaft 180 through the gear 181.

In addition, the gear 181 is rotatably mounted to the apparatus main assembly A by the bearing members 183, 184. At this time, the gear 181 does not move relative to the direction of the axial direction L3 of the drive shaft 180 (the gear 181), that is, it is positioned with respect to the axial direction L3.

Therefore, the gears 181 and the bearing members 183 and 184 can be closely disposed relative to each other with respect to the axial direction. In addition, the drive shaft 180 does not move with respect to the direction thereof of the axis L3. Therefore, the drive shaft 180 and the gap between the bearing members 183 and 184 have the sizes which permit the rotation of the drive shaft 180. For this reason, the position of the gear 181 with respect to the diametrical direction relative to the gear 187 is determined correctly.

In addition, although it has been described that the drive is directly transmitted to the gear 181 from the gear 187, the present invention is not limited to such an example. For example, it is the satisfactory using a plurality of gears on account of the motor disposed at the apparatus main assembly A. Alternatively, it is possible to transmit the rotational force by a belt and so on.

(9) Main assembly side mounting guide for guiding cartridge B

As shown in Figs. 18 and 19, the mounting means 130 of this embodiment includes main assembly guides 130R1, 130R2, 130L1, 130L2 provided in the apparatus main assembly A.

They are provided opposed to the both side surfaces of the cartridge mounting space (the

cartridge set portion 130a) provided in the apparatus main assembly A (the driving side surface in Figure 18) (the side surface in Figure 19 in which it does not drive). The main assembly guides 130R1, 130R2 are provided in the main assembly opposed to the driving side of the cartridge B, and they are extended along the mounting direction of the cartridge B. On the other hand, the main assembly guides 130L1, 130L2 are provided in the main assembly side opposed to the non-driving side of the cartridge B, and they are extended along the mounting direction of the cartridge B. The main assembly guides 130R1, 130R2 and the main assembly guides 130L1, 130L2 are opposed to each other. At the time of mounting the cartridge B to the apparatus main assembly A these guides 130R1, 130R2, 130L1, 130L2 guide the cartridge guides as will be described hereinafter. At the time of mounting the cartridge B to the apparatus main assembly A, the cartridge door 109 which can be opened and closed relative to the apparatus main assembly A about a shaft 109a is opened. And, the mounting, into the apparatus main assembly A, of the cartridge B is completed by closing the door 109. At the time of taking out the cartridge B from the apparatus main assembly A, the door 109 is opened. These operations are effected by the user.

(10) Positioning portion, relative to mounting guide and apparatus main assembly A for cartridge B

As shown in Figs. 2 and 3, in this embodiment, the outer periphery 157a of the outside end of the bearing member 157 functions also as a cartridge guide 140R1. In addition, the outer periphery 154a of the outside end of the drum grounding shaft 154 functions also as a cartridge guide 140L1.

In addition, the one longitudinal end (the driving side) of the second frame unit 120 is provided with the cartridge guide 140R2 on the upper portion of the cartridge guide 140R1. And, the other end (the non-driving side) in the longitudinal direction is provided with the cartridge guide 140L2 on the upper portion of the cartridge guide 140L1.

More particularly, the one longitudinal end of the photosensitive drum 107 is provided with the cartridge side guides 140R1, 140R2 outwardly projected from the cartridge frame B1. In addition, the other end in the longitudinal direction is provided with the cartridge side guides 140L1, 140L2 outwardly projected from the cartridge frame B1. The guides 140R1, 140R2, 140L1, 140L2 is projected toward the along said longitudinal direction here and there outside. More particularly, the guides 140R1, 140R2, 140L1, 140L2 are projected from the cartridge frame B1 along the axis L1. And, at the time of mounting the cartridge B

to the apparatus main assembly A, and at the time of demounting the cartridge B from the apparatus main assembly A the guide 140R1 is guided by the guide 130R1, and the guide 140R2 is guided by the guide 130R2. In addition, at the time of mounting the cartridge B to the apparatus main assembly A and at the time of demounting the cartridge B from the apparatus main assembly A the guide 140L1 is guided by the guide 130L1, and the guide 140L2 is guided by the guide 130L2. In this manner, the cartridge B is mounted to the apparatus main assembly A, moving in the direction substantially perpendicular to the axial direction L3 of the drive shaft 180, and it is similarly demounted from the apparatus main assembly A. In addition, in this embodiment, the cartridge guides 140R1, 140R2 are molded integrally with the second frame 118. However, separate members are usable as the cartridge guides 140R1, 140R2.

(11) Mounting operation of process cartridge

Referring to Figure 20, the mounting operation, into the apparatus main assembly A, of the cartridge B will be described. Figure 20 shows the mounting process. Figure 20 is a sectional view taken along S9-S9 of Figure 18.

As shown in Figure 20 (a), the door 109 is opened by the user. And, the cartridge B is

dismountably mounted relative to the cartridge mounting means 130 (the installation section 130a) provided in the apparatus main assembly A.

At the time of mounting the cartridge B to the apparatus main assembly A, in the driving side, the cartridge guides 140R1, 140R2 are inserted along the main assembly guides 130R1, 130R2, as shown in Figure 20 (b). In addition, also about the non-driving side, the cartridge guides 140L1, 140L2 (Figure 3) are inserted along the main assembly guides 130L1, 130L2 (Figure 19).

When the cartridge B is further inserted in the direction of the arrow X4, the coupling between the drive shaft 180 and the cartridge B is established and then, the cartridge B is mounted to the predetermined position (the installation section 130a) (the provision). In other words, as shown in Figure 20 (c), the cartridge guide 140R1 contacts to the positioning portion 130R1a of the main assembly guide 130R1, and the cartridge guide 140R2 contacts to the positioning portion 130R2a of the main assembly guide 130R2. In addition, the cartridge guide 140L1 contacts to the positioning portion 130L1a (Figure 19) of the main assembly guide 130L1, and the cartridge guide 140L2 contacts to the positioning portion 130L2a of the main assembly guide 130L2 since this state is substantially symmetrical, the illustration is not

made. In this manner, the cartridge B is dismountably mounted to the installation section 130a by the mounting means 130. More particularly, the cartridge B is mounted in the state positioned in the apparatus main assembly A. And, in the state where the cartridge B is mounted to the installation section 130a, the drive shaft 180 and the coupling 150 are in the engaged state relative to each other.

More particularly, the coupling 150 is in a rotational force transmitting angular position as will be described hereinafter.

The image forming operation is enabled by the cartridge B being mounted to the set portion 130a.

When the cartridge B is provided at the predetermined position, a pressing receptor portion 140R1b (Figure 2) of the cartridge B receives the urging force from an urging spring 188R (Figure 18, Figure 19, and Figure 20). In addition, from an urging spring 188L, a pressing receptor portion 140L1b (Figure 3) of the cartridge B receives the urging force. By this, the cartridge B (photosensitive drum 107) is correctly positioned relative to the transfer roller, the optical means, and so on of the apparatus main assembly A.

The user may enter the cartridge B to the set portion 130a as described above. Alternatively, the user enters the cartridge B to the position halfway,

and the last mounting operation may be effected by another means. For example, utilizing the operation which shuts the door 109, a part of door 109 acts on the cartridge B which is in the position in the course
5 of the mounting to push the cartridge B into the final mounted position. Further alternatively, the user pushes, into the cartridge B to the middle, the cartridge B, and lets it fall into the set portion 130a by the weight, after that.

10 Here, as shown in Figure 18-20, the mounting and demounting of the cartridge B relative to the apparatus main assembly A is effected by the movement in the direction substantially perpendicular to the direction of the axis L3 of the drive shaft 180
15 (Figure 21) corresponding to these operations, the position between the drive shaft 180 and the coupling 150 change between the engaged state and the disengagement state.

Here, the description will be made about
20 "perpendicular substantially".

Between the cartridge B and the apparatus main assembly A, in order to mount and demount the cartridge B smoothly, small gaps are provided. More specifically, the small gaps are provided \$ between
25 the guide 140R1 and the guide 130R1 with respect to the longitudinal direction, between the guide 140R2 and the guide 130R2 with respect to the longitudinal

direction, between the guide 140L1 and the guide 130L1
with respect to the longitudinal direction, and
between the guide 140L2 and the guide 130L2 with
respect to the longitudinal direction. Therefore, at
5 the time of the mounting and demounting of the
cartridge B relative to the apparatus main assembly A,
the whole cartridge B can slightly incline within the
limits of the gaps. For this reason, the
perpendicularity is not meant strictly. However, even
10 in such a case, the present invention is accomplished
with the effects thereof. Therefore, the term
"perpendicular substantially" covers the case where
the cartridge slightly inclines.

15 (12) Coupling engaging operations and drive
transmission

As stated in the foregoing, immediately before
or substantially simultaneously with positioning in a
predetermined position of the apparatus main assembly
20 A, the coupling 150 is engaged with the drive shaft
180. More particularly, the coupling 150 positions at
the rotational force transmitting angular position.
Here, the predetermined position is the set portion
130a. Referring to Figures 21, 22, and 23, the
25 description will be made with respect to the engaging
operation of this coupling. Figure 21 is a perspective
view which illustrates the major part of the drive

shaft and the driving side of the cartridge. Figure 22 is a longitudinal sectional view, as seen from the lower part of the apparatus main assembly. Figure 23 is a longitudinal sectional view, as seen from the lower part of the apparatus main assembly. Here, the engagement means the state in which the axis L2 and the axis L3 are substantially co-axial relative to each other, and the drive transmission is possible.

As shown in Figure 22, the cartridge B is mounted to the apparatus main assembly A in the direction (arrow X4) substantially perpendicular to the axis L3 of the drive shaft 180. Or, it is demounted from the apparatus main assembly A. In the pre-engagement angular position, the axis L2 (Figure 22 a) of the coupling 150 inclines toward downstream with respect to the mounting direction X4 beforehand relative to the axis L1 (Figure 22(a) of the drum shaft 153 (Figure 21 a and Figure 22(a)).

In order to incline the coupling toward the pre-engagement angular position beforehand, the structure of the embodiment 3-embodiment 9 as will be described hereinafter is used, for example.

Because of the inclination of the coupling 150, the downstream free end 150A1 with respect to the mounting direction X4 is closer to the photosensitive drum 107 than the drive shaft free end 180b3 in the direction of the axis L1. In addition, the upstream

free end 150A2 with respect to the mounting direction is closer to the pin 182 than the drive shaft free end 180b3. (Figure 22(a), (b)). Here, the free end position is the position nearest to the drive shaft of the
5 driven portion 150a shown in Figure 8(a) and (c) with respect to the direction of the axis L2, and it is the remotest position from the axis L2. In other words, it is an edge line of the driven portion 150a of the coupling 150, or an edge line of the projection 150d
10 depending on the rotation phase of the coupling 150 (150A) in Figure 8(a) and (c).

The free end position 150A1 of the coupling 150 passes by the drive shaft free end 180b3. And, after the coupling 150 carries out by passage of the
15 drive shaft free end 180b3, the receiving surface (cartridge side contact portion) 150f or the projection (cartridge side contact portion) 150d contacts with the free end portion 180b of drive shaft (main assembly side engaging portion) 180, or pin
20 (main assembly side engaging portion) (rotational force applying portion) 182. And, corresponding to the mounting operation of the cartridge (B), the axis L2 is inclined so that it may align substantially with the axis L1 (Figure 22 (c)). And, when the coupling
25 150 inclines from said pre-engagement angular position and the axis L2 thereof aligns substantially with the axis L1, the rotational force transmitting angular

position is reached. And, finally, the position of the cartridge (B) is determined relative to the apparatus main assembly (A). Here, the drive shaft 180 and the drum shaft 153 are substantially co-axial relative to each other. In addition, the receiving surface 150f opposes to the spherical free end portion 180b of the drive shaft 180. This state is the engaged state between the coupling 150 and the drive shaft 180 (Figure 21 (b) and Figure 22 (d)). At this time, the pin 155 (unshown) is positioned in the opening 150g (Figure 8 (b)). In other words, the pin 182 takes the standing-by portion 150k. Here, the coupling 150 covers the free end portion 180b.

The receiving surface 150f constitutes the recess 150z. And, the recess 150z has the conical shape.

As has been described above, the coupling 150 is pivotable relative to the axis L1. And, corresponding to the movement of the cartridge (B), a part of coupling 150 (the receiving surface 150f and/or 150d of projections) which is the cartridge side contact portion contacts to the main assembly side engaging portion (the drive shaft 180 and/or the pin 182). By this, the pivoting motion of the coupling 150 is effected. As shown in Figure 22, the coupling 150 is mounted with the state of overlapping, with respect to the direction of the axis L1, with the

drive shaft 180. However, the coupling 150 and the drive shaft 180 are engageable relative to each other with the overlapping state by the pivoting motion of the couplings, as described above.

5 The mounting operation of the coupling 150 described above can be performed regardless of the phases of the drive shaft 180 and the coupling 150. Referring to Figure 15 and Figure 23, the detailed description will be made. Figure 23 illustrates the
10 phase relation between the coupling and the drive shaft. In Figure 23 (a), in a downstream position with respect to the mounting direction X4 of the cartridge, the pin 182 and the receiving surface 150f face to each other. In Figure 23 (b), the pin 182 and the
15 projection 150d face to each other. In Figure 23 (c), the free end portion 180b and the projection 150d face to each other. In Figure 23 (d), the free end portion 180b and the receiving surface 150f face to each other.

 As shown in Figure 15, the coupling 150 is
20 pivotably mounted in any direction relative to the drum shaft 153. More particularly, the coupling 150 is revolvable. Therefore, as shown in Figure 23, it can incline toward the mounting direction X4 irrespective of the phase of the drum shaft 153 relative to the
25 mounting direction X4 of the cartridge (B). In addition, the inclination angle of the coupling 150 is set, so that regardless of the phases of the drive

shaft 180 and the coupling 150, the free end position 150A1 is made closer to the photosensitive drum 107 than the axial free end 180b3 with respect to the direction of the axis L1. In addition, the inclination angle of the coupling 150 is set, so that the free end position 150A2 is made closer to the pin 182 than the axial free end 180b3. With such a setting, corresponding to the mounting operation of the cartridge (B), the free end position 150A1 is passed by the axial free end 180b3 in the mounting direction X4. And, in the case of Figure 23 (a), the receiving surface 150f contacts the pin 182. In the case of Figure 23 (b), the projection (the engaging portion) 150d contacts the pin (rotational force applying portion) 182. In the case of Figure 23 (c), the projection 150d contacts to the free end portion 180b. In the case of Figure 23 (d), the receiving surface 150f contacts to the free end portion 180b. In addition, by the contact force generated at the time of mounting the cartridge (B), the axis L2 of the coupling 150 moves so that it substantially becomes co-axial with the axis L1. By this, the coupling 150 is engaged with the drive shaft 180. More particularly, the coupling recess 150z covers the free end portion 180b. For this reason, the coupling 150 can be engaged with the drive shaft 180 (the pin 182) irrespective of the phases of the drive shaft 180, the coupling 150

and the drum shaft 153.

In addition, as shown in Figure 22, the gap is provided between the drum shaft 153 and the coupling 150, so that the coupling is swingable (revolvable, pivotable).

In this embodiment, the coupling 150 moves in a plane of the sheet of the drawing of Figure 22. However, the coupling 150 of this embodiment is capable of whirling, as described above. Therefore, the motion of the coupling 150 may include motion not included in the plane of the sheet of the drawing of Figure 22. In such a case, the change from the state of Figure 22(a) to the state of Figure 22(d) occurs. This applies to the embodiments which will be described hereinafter unless otherwise stated.

Referring to Figure 24, the rotational force transmitting operation at the time of rotating the photosensitive drum 107 will be described. The drive shaft 180 rotates with the gear 181 in the direction (Figure, X8) by the rotational force received from the driving source (the motor 186). And, the pin 182 integral with the drive shaft 180 (182a1, 182a2) contacts to any of the rotational force receiving surfaces (rotational force receiving portion) 150e1-150e4. More particularly, the pin 182a1 contacts any one of the rotational force receiving surfaces 150e1-150e4. In addition, the pin 182a2 contacts with any of

the rotational force receiving surfaces 150e1-150e4. By this, the rotational force of the drive shaft 180 is transmitted to the coupling 150 to rotate the coupling 150. Furthermore, by the rotation of the coupling 150, the rotational force transmission surfaces (the rotational force transmitting portion) 150h 1 or 150h2 of the coupling 150 contact to the pin 155 integral with the drum shaft 153. By this, the rotational force of the drive shaft 180 is transmitted to the photosensitive drum 107 through the coupling 150, the rotational force transmission surface 150h 1 or 150h2, the pin 155, the drum shaft 153, and the drum flange 151. In this manner, the photosensitive drum 107 is rotated.

In the rotational force transmitting angular position, the free end portion 153b is contacted with the receiving surface 150i. And, the free end portion (the positioning portion) 180b of the drive shaft 180 is contacted with the receiving surface (the positioning portion) 150f. By this, the coupling 150 is positioned relative to the drive shaft 180 in the state where it is over the drive shaft 180 (Figures 22(d)).

Here, in this embodiment, even if the axis L3 and the axis L1 deviate from the co-axial relations somewhat, the coupling 150 can effect the transmission of the rotational force because the coupling 150

inclines slightly. Even if it is such a case, the coupling 150 can rotate without covering the large additional load over the drum shaft 153 and the drive shaft 180. Therefore, the high precision position arrangement operation of the drive shaft 180 and the drum shaft 153 at the time of the assembling is easy. For this reason, the assembling operativity can be improved.

This is also one of the effects of this embodiment.

In addition, in Figure 17, as has been described, the position of the drive shaft 180 and the gear 181 is positioned with respect to the diametrical direction and the axial direction in the predetermined position (Set portion 130a) of the apparatus main assembly (A). In addition, the cartridge (B) is positioned in the predetermined position of the apparatus main assembly as described above. And, the drive shaft 180 positioned in said predetermined position and the cartridge (B) positioned in said predetermined position are coupled by the coupling 150. The coupling 150 is swingable (pivotable) relative to the photosensitive drum 107. For this reason, as described above, the coupling 150 can transmit the rotational force smoothly between the drive shaft 180 positioned in the predetermined position and the cartridge (B) positioned in the predetermined position.

In other words, even if there is some axial deviation between the drive shaft 180 and the photosensitive drum 107, the coupling 150 can transmit the rotational force smoothly.

5 This is also one of the effects of this embodiment.

 In addition, as described above, the cartridge (B) is positioned in the predetermined position. For this reason, the photosensitive drum 107 which is the
10 constituent-element of the cartridge (B) is correctly positioned relative to the apparatus main assembly (A). Therefore, the spatial relationship between the photosensitive drum 107, and the optical means 101, the transfer roller 104 or recording material 102 can
15 be maintained with high precision. In other words, those position deviations can be reduced.

 The coupling 150 contacts to the drive shaft 180. By this, although it has been mentioned that the coupling 150 swings from the pre-engagement angular
20 position to the rotational force transmitting angular position, the present invention is not limited to such an example. For example, it is possible to provide the abutting portion as the main assembly side engaging portion in the position other than the drive shaft of
25 the apparatus main assembly. And, in the mounting process of the cartridge (B), after the free end position 150A1 passes by the drive shaft free end

180b3, a part of coupling 150 (cartridge side contact portion) contacts with this abutting portion. By this, the coupling can receive the force of the shaking direction (pivoting direction); and it can also be
5 made to swing so that the axis L2 becomes substantially co-axial with the axis L3 (the pivoting). In other words, another means is sufficient, if the axis L1 can substantially co-axially position with the axis L3 in interrelation with the mounting operation
10 of the cartridge (B).

(13) The disengaging operation of the coupling, and the removing operation of the cartridge

Referring to Figure 25, the operation for
15 disengaging the coupling 150 from the drive shaft 180 will be described at the time of taking out the cartridge (B) from the apparatus main assembly (A). Figure 25 is the longitudinal sectional view, as seen from the apparatus main assembly lower.

20 First, the position of the pin 182 at the time of demounting the cartridge (B) will be described. After the image formation finishes, as will be apparent from the foregoing description, the pin 182 is positioned at any 2 of the standing-by portions
25 150k1-150k4 (Figure 8). And, the pin 155 is positioned in the opening 150g.1 or 150g2.

The description will be made with respect to

the operation for disengaging the coupling 150 from the drive shaft 180 in interrelation with the operation for taking out the cartridge (B).

As shown in Figure 25, the cartridge (B) is drawn out in the direction (the direction of the arrow X6) substantially perpendicular to the axis L3, at the time of demounting from the apparatus main assembly (A).

In the state where the drive for the drum shaft 153 has stopped, the axis L2 is substantially co-axial relative to the axis L1 in the coupling 150 (rotational force transmitting angular position) (Figure 25 (a)). And, the drum shaft 153 moves in the dismounting direction X6 with the cartridge (B), and the receiving surface 150f or the projection 150d in the upstream of the coupling 150 with respect to the dismounting direction contacts at least to the free end portion 180b of the drive shaft 180 (Figure 25 (a)). And, the axis L2 begins to incline toward the upstream with respect to the dismounting direction X6 (Figure 25 (b)). This direction is the same as that of the inclination of the coupling 150 at the time of the mounting of the cartridge (B) (the pre-engagement angular position). It moves, while the upstream free end portion 150 A3 with respect to the dismounting direction X6 contacts to the free end portion 180b by the dismounting operation from the apparatus main

assembly (A) of this cartridge (B).. In more detail,
corresponding to the movement to the dismounting
direction of the cartridge (B), while a part of
coupling 150 (the receiving surface 150f and/or 150d
5 of projections) which is the cartridge side contact
portion contacts with the main assembly side engaging
portion (the drive shaft 180 and/or the pin 182), the
coupling moves. And, in the axis L2, the free end
portion 150 A3 inclines to the free end 180b3
10 (disengaging angular position) (Figure 25 (c)). And,
in this state, the coupling 150 is passed by the drive
shaft 180, contacting to the free end 180b3, and is
disengaged from the drive shaft 180 (Figure 25 (d)).
Thereafter, the cartridge (B) follows the process
15 opposite from that of the mounting process described
in Figure 20, and is taken out from the apparatus main
assembly (A).

As will be apparent from the foregoing
description, the angle of the pre-engagement angular
20 position relative to the axis L1 is larger than the
angle of the disengaging angular position relative to
the axis L1. This is because it is preferable that the
free end position 150A1 passes assuredly by the free
end portion 180b3 in the pre-engagement angular
25 position in consideration of the dimensional tolerance
of the parts at the time of the engagement of the
coupling. More particularly, it is preferable that the

gap exists between the coupling 150 and the free end portion 180b3 in the pre-engagement angular position (Figure 22 (b)). On the contrary, at the time of the coupling disengagement, the axis L2 inclines in interrelation with the dismounting operation of the cartridge in the disengaging angular position. Therefore, the coupling 150 A3 moves along the free end portion 180b3. In other words, the upstream portion, with respect to the cartridge dismounting direction, of the coupling and the free end portion of the drive shaft are in the substantially same position (Figure 25 (c)). For this reason, the angle of the pre-engagement angular position relative to the axis L1 is larger than the angle of the disengaging angular position relative to the axis L1.

In addition, similarly to the case of mounting the cartridge (B) to the apparatus main assembly (A), the cartridge (B) can be taken out irrespective of the phase difference between the coupling 150 and the pin 182.

As shown in Figure 22, in the rotational force transmitting angular position of the coupling 150, the angle relative to the axis L1 of the coupling 150 is such that in the state where the cartridge (B) is mounted to the apparatus main assembly (A), the coupling 150 receives the transmission of the rotational force from the drive shaft 180, and it

rotates.

The rotational force transmitting angular position of the coupling 150, the rotational force for rotating the photosensitive drum is transmitted to the drum.

In addition, in the pre-engagement angular position of the coupling 150, the angular position relative to the axis L1 of the coupling 150 is such that it is in the state immediately before the coupling 150 engages with the drive shaft 180 in the mounting operation to the apparatus main assembly (A) of the cartridge (B). More particularly, it is the angular position relative to the axis L1 which the downstream free end portion 150A1 of the coupling 150 can pass by the drive shaft 180 with respect to the mounting direction of the cartridge (B).

In addition, the disengaging angular position of the coupling 150 is the angular position relative to the axis L1 of the coupling 150 at the time of taking out the cartridge (B) from the apparatus main assembly (A), in the case that the coupling 150 disengages from the drive shaft 180. More particularly, as shown in Figure 25, it is the angular position relative to the axis L1 with which the free end portion 150 A3 of the coupling 150 can pass by the drive shaft 180 with respect to the removing direction of the cartridge (B).

In the pre-engagement angular position or the disengaging angular position, the angle θ_2 which the axis L2 makes with the axis L1 is larger than the angle θ_1 which the axis L2 makes with the axis L1 in the rotational force transmitting angular position. As for the angle θ_1 , 0 degree is preferable. However, in this embodiment, if the angle θ_1 is less than about 15 degrees, the smooth transmission of the rotational force is accomplished. This is also one of the effects of this embodiment. As for the angle θ_2 , the range of about 20 - 60 degrees is preferable.

As has been described hereinbefore, the coupling is pivotably mounted to the axis L1. And, the coupling 150 in the state in which it overlaps with the drive shaft 180 with respect to the direction of the axis L1 can be disengaged from the drive shaft 180 because the coupling inclines correspondingly to the dismounting operation of the cartridge (B). More particularly, by moving the cartridge (B) in the direction substantially perpendicular to the axial direction of the drive shaft 180, the coupling 150 which covers the drive shaft 180 can be disengaged from the drive shaft 180.

In the above described description, the receiving surface 150f of the coupling 150 or the projection 150d contacts with the free end portion

180b (the pin 182) in interrelation with the movement of the cartridge (B) in the dismounting direction X6. By this, it has been described that the axis L1 starts the inclination to the dismounting direction upstream.

5 However, the present invention is not limited to such an example. For example, the coupling 150 has a structure beforehand, so that it is urged toward the upstream in the dismounting direction. And, corresponding to the movement of the cartridge (B),

10 this urging force starts the inclination of the axis L1 toward the downstream in the dismounting direction. And, the free end 150 A3 passes by the free end 180b3, and the coupling 150 disengages from the drive shaft 180. In other words, the receiving surface 150f in the

15 upstream side with respect to the dismounting direction or projection 150d does not contact with the free end portion 180b, and therefore, it can be disengaged from the drive shaft 180. For this reason, the any structure can be applied if the axis L1 can be

20 inclined in interrelation with the dismounting operation of the cartridge (B).

By the point of time immediately before the coupling 150 is mounted to the drive shaft 180, the driven portion of the coupling 150 is inclined, so

25 that it is inclined toward the downstream with respect to the mounting direction. In other words, the coupling 150 is beforehand put on in the state of the

pre-engagement angular position.

In the foregoing, the motion in the plane in the sheet of the drawing of Figure 25 has been described, but the motion may include the whirling motion as in the case of Figure 22.

As to the structure therefor, the structure of any that will be described in Embodiment 2 et seqq is usable.

Referring to Figure 26 and Figure 27, the description will be made about the other embodiment of the drum shaft. Figure 26 is a perspective view of the neighborhood of the drum shaft. Figure 27 illustrates a characteristic portion.

In the embodiment described above, the free end of the drum shaft 153 is formed into the spherical surface, and the coupling 150 is in contact with the spherical surface thereof. However, as shown in Figure 26 (a) and 27 (a), the free end 1153b of the drum shaft 1153 may be a flat surface. In the case of this embodiment, the edge portion 1153c of the peripheral surface thereof contacts the conic surface of the coupling 150, by which the rotation is transmitted. Even with such a structure, the axis L2 can be assuredly inclined relative to the axis L1. In the case of this embodiment, there is no necessity for the spherical surface machining. Therefore, the machining cost can be reduced.

In the embodiment described above, another rotational force transmitting pin is mounted to the drum shaft. However, as shown in Figure 26 (b) and 27 (b), it is possible to mold the drum shaft 1253 and the pin 1253c integrally. In the case of integral molding using injection molding and so on, the geometrical latitude becomes high. In this case, the pin 1253c can be integrally formed with the drum shaft 1253. For this reason, the wide area of the drive transmitting portion 1253d can be provided. Therefore, the running torque can be assuredly transmitted to the drum shaft made of the resin material. In addition, since integral molding is utilized, the manufacturing cost is reduced.

As shown in Figure 26 (c) and 27 (c), the opposite ends 1355a1, 1355a2 of rotational force transmitting pin (rotational force receiving member) 1355 are beforehand fixed by the press-fitting and so on to the standby opening 1350g 1 or 1350g2 of the coupling 1350. Thereafter, it is possible to insert the drum shaft 1353 which has a free end portion 1353c1, 1353c2 formed into a screw slotted shape (concave). At this time, in order to provide a pivotability of the coupling 1350, the engaging portion 1355b of the pin 1355 relative to the free end portion (unshown) of the drum shaft 1353 is formed into a spherical shape. Thus, the pin 1355 (rotational

force applying portion) is fixed beforehand. By this, the size of the opening 1350g of the coupling 1350 can be reduced. Therefore, the rigidity of the coupling 1350 can be increased.

5 In the foregoing, the structure by which the inclination of the axis L1 is made along the free end of the drum shaft has been described. However, as shown in Figure 26 (d), 26 (e), and 27 (d), it is possible to incline along the contact surface 1457a of
10 the contact member 1457 on the axis of the drum shaft 1453. In this case, the free end surface 1453b of the drum shaft 1453 has a height comparable to the end surface of the contact member 1457. In addition, the rotational force transmitting pin (the rotational
15 force receiving member) 1453c projected beyond the free end surface 1453b is inserted into the standby opening 1450g of the coupling 1450. The pin 1453c contacts to the rotational force transmission surface (the rotational force transmitting portion) 1450h of
20 the coupling 1450. By this, the rotational force is transmitted to the drum 107. In this manner, the contact surface 1457a at the time of the coupling 1450 inclining is provided in the contact member 1457. By this, there is no necessity of processing the drum
25 shaft directly. Therefore, the machining cost can be lowered.

In addition, similarly, the spherical surface

at the free end may be a molded resin part of separate member. In this case, the machining cost of the shaft can be lowered. This is because the configuration of the shaft to be processed by the cutting and so on can be simplified. In addition, when the range of the spherical surface at the axial free end is decreased, the range of the processing which requires high degree of accuracy can be made small. By this, the machining cost can be lowered.

10

Referring to Figure 28, the description will be made about another embodiment of the drive shaft. Figure 28 is perspective views of a drive shaft and a drum driving gear.

15

First, as shown in Figure 28 (a), the free end of the drive shaft 1180 is made into the flat surface 1180b. By this, since the configuration of the shaft is simple, the machining cost can be lowered.

In addition, as shown in Figure 28 (b), it is possible to mold the rotational force applying portion (drive transmitting portion) 1280(1280c1, 1280c2) integrally with the drive shaft 1280. When the drive shaft 1280 is the molded resin part, the rotational force applying portion can be molded integrally. Therefore, the cost reduction can be accomplished. Designated by 1280b is the flat surface portion.

25

In addition, as shown in Figure 28 (c), the

range of the free end portion 1380b of the drive shaft 1380 is decreased. For this purpose, it is possible to make the outer diameter of the shaft free end 1380c smaller than the outer diameter of the main part 1380a.

5 As described above, the free end portion 1380b requires a certain amount of accuracy, in order to determine the position of the coupling 150. Therefore, the spherical range is limited only to the contact portion of the coupling. By this, the portion other

10 than the surface where accuracy of finishing is required is omitted. By this, the machining cost is lowered. In addition, similarly, it is possible to cut the free end of the unnecessary spherical surface. Designated by 1382 is a pin (the rotational force

15 applying portion).

The positioning method of the photosensitive drum 107 with respect to the direction of the axis L1 will be described. In other words, the coupling 1550 is provided with a tapered surface (the inclined

20 plane) 1550e, 1550h. And, a force is produced in the thrust direction by the rotation of the drive shaft 181. The positioning, with respect to the direction of the axis L1, of the coupling 1550 and the photosensitive drum 107 is effected by this thrust

25 force. Referring to Figure 29 and Figure 30, this will be described in detail. Figure 29 is a perspective view and a top plan view of the coupling alone. Figure

30 is an exploded perspective view which illustrates the drive shaft, the drum shaft, and the coupling.

As shown in Figure 29 (b), the rotational force receiving surface 1550e (the inclined plane) (rotational force receiving portion) is inclined by the angle α_5 relative to the axis L2. When the drive shaft 180 rotates in the direction T1, the pin 182 and the rotational force receiving surface 1550e contact to each other. Then, a component force is applied to the coupling 1550 in the direction T2, and it moves in the direction T2. And, the coupling 1550 moves to the axial direction until the driving shaft receiving surface 1550f (Figure 30a) abuts to the free end 180b of the drive shaft 180. By this, the position of the coupling 1550 with respect to the direction of the axis L2 is determined. In addition, the free end 180b of the drive shaft 180 is formed into the spherical surface, and the receiving surface 1550f has the conic surface. Therefore, with respect to the direction perpendicular to the axis L2, the position of the driven portion 1550a relative to the drive shaft 180 is determined. In cases where the coupling 1550 is mounted to the drum 107, the drum 107 also moves to the axial direction depending on the size of the force in which it is added in the direction T2. In this case, with respect to the longitudinal direction, the position of the drum 107 relative to the apparatus

main assembly is determined. The drum 107 is mounted with play in the longitudinal direction thereof in the cartridge frame B1.

As shown in Figure 29 (c), the rotational force transmission surface (the rotational force transmitting portion) 1550h is inclined by the angle α_6 relative to the axis L2. When the coupling 1550 rotates in the direction T1, the transmitting surface 1550h and the pin 155 abut relative to each other. Then, a component force is applied to the pin 155 in the direction T2, and it moves in the direction T2. And, the drum shaft 153 moves until the free end 153b of the drum shaft 153 contacts to the drum bearing surface 1550i (Figure 30 (b)) of the coupling 1550. By this, the position of the drum shaft 155 (the photosensitive drum) with respect to the direction of the axis L2 is determined. In addition, the drum bearing surface 1550i has a conic surface, and the free end 153b of the drum shaft 153 is formed into a spherical surface. Therefore, with respect to the direction perpendicular to the axis L2, the position of the driving portion 1550b relative to the drum shaft 153 is determined.

The taper angles α_5 and α_6 are set to the degree with which the force effective to move the coupling and the photosensitive drum in the thrust direction is produced. However, the forces thereof

differ depending on the running torque of the photosensitive drum 107. However, if there is provided means which is effective to determine the position in the thrust direction, the taper angles α_5 and α_6 may
5 be small.

As has been described hereinbefore, the taper for being drawn in the coupling in the direction of the axis L2 and the conic surface for determining the position at the axis L2 with respect to the
10 orthogonality direction are provided. By this, a position with respect to the direction of the axis L1 of the coupling and a position with respect to the direction perpendicular to the axis L1, are determined simultaneously. In addition, the coupling can transmit
15 the rotational force assuredly. Furthermore, as compared with the case where the rotational force receiving surface (rotational force receiving portion) or the rotational force transmission surface (the rotational force transmitting portion) of the coupling
20 does not have the taper angle as described above, the contact between the rotational force applying portion of the drive shaft and the rotational force receiving portion of the coupling can be stabilized. In addition, the contact abutment between the rotational force
25 receiving portion of the drum shaft and the rotational force transmitting portion of the coupling can be stabilized.

However, the tapered surface (the inclined plane) for pulling in the coupling in the direction of the axis L2 and the conic surface for determining the position of the axis L2 with respect to the orthogonal direction may be omitted. For example, in place of the taper for drawing in the direction of the axis L2, it is possible to add a part for urging the drum in the direction of the axis L2. Hereinafter, as long as there is no particular mentioning, the tapered surface and the conic surface are provided. In addition, the tapered surface and the conic surface are provided also in the coupling 150 described above.

Referring to Figure 31, the regulating means for regulating the inclining direction relative to the cartridge of the coupling will be described. Figure 31 (a) is a side view which illustrates the major part of the driving side of the process cartridge, and Figure 31 (b) is a sectional view taken along S7-S7 of Figure 31 (a).

In this embodiment, the coupling 150 and the drive shaft 180 of the apparatus main assembly can be more assuredly engaged by providing the regulating means.

In this embodiment, as the regulating means, the regulating portions 1557h1 or 1557h2 are provided on the drum bearing member 1557. The coupling 150 can be regulated in swinging directions relative to the

cartridge (B) by this regulating means. The structure is such that by the time, immediately before the coupling 150 engages with the drive shaft 180, this regulating portion 1557h 1 or 1557h2 is parallel to the mounting direction X4 of the cartridge (B). In addition, the intervals D6 is slightly larger than the outer diameter D7 of the driving portion 150b of the coupling 150. By doing so, the coupling 150 is pivotable only to the mounting direction X4 of the cartridge (B). In addition, the coupling 150 can be inclined in any direction relative to the drum shaft 153. Therefore, irrespective of the phase of the drum shaft 153, the coupling 150 can be inclined in the regulated direction. Therefore, the opening 150m of the coupling 150 can receive the drive shaft 180 more assuredly. By this, the coupling 150 is more assuredly engageable with the drive shaft 180.

Referring to Figure 32, another structure for regulating the inclining direction of the coupling will be described. Figure 32 (a) is a perspective view which illustrates the inside of the apparatus main assembly driving side, and Figure 32 (b) is a side view of a cartridge, as seen from the upstream with respect to the mounting direction X4.

The regulating portions 1557h 1 or 1557h2 are provided in the cartridge (B) in the above described description. In this embodiment, a part of mounting

guide 1630R1 of the driving side of the apparatus main assembly (A) is a rib-like regulating portion 1630R1a. The regulating portion 1630R1a is the regulating means for regulating the swinging directions of the coupling 150. And, the structure is such that, when the user inserts the cartridge (B), the outer periphery of a connecting portion 150c of the coupling 150 contacts to the upper surface 1630R1a-1 of the regulating portion 1630R1a. By this, the coupling 150 is guided by the upper surface 1630R1a-1. For this reason, the inclining direction of the coupling 150 is regulated. In addition, similarly to the embodiment described above, irrespective of the phase of the drum shaft 153, the coupling 150 is inclined in the direction in which it regulated.

The regulating portion 1630R1a is provided below the coupling 150 in the example shown in Figure 32 (a). However, similarly to the regulating portion 1557h2 shown in Figure 31, the more assured regulation can be accomplished when the regulating portion is added to the upper side.

As described above, it may be combined with the structure in which the regulating portion is provided in the cartridge (B). In this case, more assured regulation can be accomplished.

However, in this embodiment, by which the means for regulating the inclining direction of the

coupling may be omitted for example, the coupling 150 is beforehand inclined downstream with respect to the mounting direction of the cartridge (B). And, the driving shaft receiving surface 150f of the coupling is enlarged. By this, the engagement between the drive shaft 180 and the coupling 150 can be established.

In addition, in the foregoing description, the angle in the pre-engagement angular position of the coupling 150 relative to the drum axis L1 is larger than the angle in the disengaging angular position (Figures 22 and 25). However, the present invention is not limited to such an example.

Referring to Figure 33, the description will be made. Figure 33 is a longitudinal sectional view which illustrates the process for taking out the cartridge (B) from the apparatus main assembly (A).

In the process for taking out the cartridge (B) from the apparatus main assembly (A), the angle in the disengaging angular position (in the state Figure 33c) of the coupling 1750 relative to the axis L1 may be equivalent to the angle in the pre-engagement angular position of the coupling 1750 relative to the axis L1 at the time of the coupling 1750 engaging. Here, the process in which the coupling 1750 disengages is shown by (a) - (b) - (c) - (d) in Figure 33.

More particularly, the setting is such that,

when the upstream free end portion 1750 A3 with respect to the dismounting direction X6 of the coupling 1750 passes by the free end portion 180b3 of the drive shaft 180, the distance between the free end portion 1750 A3 and the free end portion 180b3 is comparable as the distance at the time of the pre-engagement angular position. With such a setting, the coupling 1750 can be disengaged from the drive shaft 180.

The other operations at the time of demounting the cartridge (B) are the same as the above described operations, and therefore, the description is omitted.

In addition, in the foregoing description, at the time of mounting the cartridge (B) to the apparatus main assembly (A), the downstream free end with respect to the mounting direction of the coupling is closer to the drum shaft than the free end of the drive shaft 180. However, the present invention is not limited to such an example.

Referring to Figure 34, the description will be made. Figure 34 is a longitudinal sectional view for illustrating the mounting process of the cartridge (B). As shown in Figure 34, in the state of (a) the mounting process of the cartridge (B), in the direction of the axis L1, the downstream free end position 1850A1 with respect to the mounting direction X4 is closer to the direction of the pin 182 (the

rotational force applying portion) than the drive shaft free end 180b3. In the state of (b), the free end position 1850A1 is contacted to the free end portion 180b. At this time, the free end position
5 1850A1 moves toward the drum shaft 153 along the free end portion 180b. And, the free end position 1850A1 passes by the free end portion 180b3 of the drive shaft 180 at this position, the coupling 150 takes the pre-engagement angular position (Figure 34 (c)). And,
10 finally the engagement between the coupling 1850 and the drive shaft 180 is established ((rotational force transmitting angular position) Figure 34 (d)).

An example of this embodiment will be described.

15 First, the shaft diameter of the drum shaft 153 is $\Phi Z1$, the shaft diameter of the pin 155 is $\Phi Z2$, and the length is $Z3$ (Figure 7 (a)). The maximum outer diameter of the driven portion 150a of the coupling 150 is $\Phi Z4$ the diameter of a phantom circle C1 which
20 passes the inner ends of the projections 150d 1 or 150d 2 or 150d3, 150d4 is $\Phi Z5$, and the maximum outer diameter of the driving portion 150b is $\Phi Z6$ (Figure 8 (d), (f)). The angle formed between the coupling 150 and the receiving surface 150f is $\alpha 2$, and the angle
25 formed between the coupling 150 and the receiving surface 150i is $\alpha 1$. A shaft diameter of the drive shaft 180 is $\Phi Z7$, the shaft diameter of the pin 182 is

$\phi 28$, and the length is $Z9$ (Figure 17 (b)). In addition, the angle relative to the axis $L1$ in the rotational force transmitting angular position is $\beta 1$, the angle in the pre-engagement angular position is $\beta 2$, and the angle in the disengaging angular position is $\beta 3$. In this example,

$Z1= 8\text{mm}$; $Z2= 2\text{mm}$; $Z3= 12\text{mm}$; $Z4= 15\text{mm}$; $Z5= 10\text{mm}$; $Z6= 19\text{mm}$; $Z7= 8\text{mm}$; $Z8= 2\text{mm}$; $Z9= 14\text{mm}$; $\alpha 1= 70$ degrees; $\alpha 2= 120$ degrees; $\beta 1= 0$ degree; $\beta 2= 35$ degrees; $\beta 3= 30$ degrees.

It has been confirmed with these settings, the engagement between the coupling 150 and the drive shaft 180 is possible. However, these settings do not limit the present invention. In addition, the coupling 150 can transmit the rotational force to the drum 107 with high precision. The values given above are the examples, and the present invention is not limited to these values.

In addition, in this embodiment, the pin (the rotational force applying portion) 182 is disposed in the range of 5mm from the free end of the drive shaft 180. In addition, the rotational force receiving surface (rotational force receiving surface) 150e provided in the projection 150d is disposed at the range of 4mm from the free end of the coupling 150. In this manner, the pin 182 is disposed at the free end side of the drive shaft 180 in addition, the

rotational force receiving surface 150e is disposed at the free end side of the coupling 150.

By this, at the time of mounting the cartridge (B) to the apparatus main assembly (A), the drive shaft 180 and the coupling 150 can engage smoothly with each other. In more detail, the pin 182 and the rotational force receiving surface 150e can engage smoothly with each other.

In addition, at the time of demounting the cartridge (B) from the apparatus main assembly (A), the drive shaft 180 and the coupling 150 can disengage smoothly from each other. More particularly, the pin 182 and the rotational force receiving surface 150e can disengage smoothly from each other.

The values are the examples, and the present invention is not limited to these values. However, the effects described above are further enhance(d) by the pin (rotational force applying portion) 182 and the rotational force receiving surface 150e being disposed in these numerical value ranges.

As described in the foregoing, in the described embodiment, the coupling member 150 is capable of taking the rotational force transmitting angular position for transmitting the rotational force for rotating the electrophotographic photosensitive drum to the electrophotographic photosensitive drum and the disengaging angular position in which the

coupling member 150 is inclined away from the axis of
the electrophotographic photosensitive drum from the
rotational force transmitting angular position. When
the process cartridge is dismounted from the main
5 assembly of the electrophotographic image forming
apparatus in a direction substantially perpendicular
to the axis of the electrophotographic photosensitive
drum, the coupling member moves from the rotational
force transmitting angular position to the disengaging
10 angular position. When the process cartridge is
mounted to the main assembly of the
electrophotographic image forming apparatus in a
direction substantially perpendicular to the axis of
the electrophotographic photosensitive drum, the
15 coupling member moves from the disengaging angular
position to the rotational force transmitting angular
position. This applies to the following embodiments,
although the following embodiment 2 is related with
the dismounting only.

20

[Embodiment 2]

Referring to Figure 35 - Figure 40, the second
embodiment to which applied the present invention will
be described.

25

In the description of this embodiment, the
same reference numerals as in Embodiment 1 are
assigned to the elements having the corresponding

functions in this embodiment, and the detailed description thereof is omitted for simplicity. This applies also about the other embodiment described in the below.

5 The this embodiment is effective not only for the case of the mounting and the dismounting of the cartridge (B) relative to the apparatus main assembly (A) but also the case of the dismounting only of the cartridge (B) from the apparatus main assembly (A).

10 More particularly, when the drive shaft 180 stops, the drive shaft 180 is stopped with the predetermined phase by the control of the apparatus main assembly (A) in other words, it stops so that the pin 182 may become at a predetermined position.

15 Moreover, the phase of the coupling 14150 (150) is set in alignment with the phase of the stopped drive shaft 180 for example, the position of standing-by portion 14150k (150k) is set so that it may align with the stop position of the pin 182 with such a setting, at
20 the time of mounting the cartridge (B) to the apparatus main assembly (A), even if the coupling 14150 (150) is not pivoted, it will become in the state of being opposed to the drive shaft 180. And, the rotational force from the drive shaft 180 is
25 transmitted to the coupling 14150 (150) by the drive shaft 180 rotating. By this, the coupling 14150 (150) can rotate with high precision.

However, this embodiment is effective at the time of demounting the cartridge (B) from the apparatus main assembly (A) by moving in the direction substantially perpendicular to the direction of the axis L3. This is because even if the drive shaft 180 stops with the predetermined phase, the pin 182 and rotational force receiving surface 14150e1, 14150e2 (150e) are in engagement relative to each other. For this reason, in order to disengage the coupling 14150 (150) from the drive shaft 180, the coupling 14150 (150) needs to pivot.

In addition, in the embodiment 1 described above, at the time of mounting the cartridge (B) to the apparatus main assembly (A) and at the time of demounting it, the coupling 14150 (150) pivots. Therefore, the control of the apparatus main assembly (A) described above is unnecessary, and, at the time of mounting the cartridge (B) to the apparatus main assembly (A), it is not necessary to set the phase of the coupling 14150 (150) in accordance with the phase of the stopped drive shaft 180 beforehand.

The description will be made referring to the drawing.

Figure 35 is a perspective view which illustrates the phase control means for the drive shaft, the driving gear, and the drive shaft of the apparatus main assembly. Figure 36 is a perspective

view and a top plan view of the coupling. Figure 37 is a perspective view which illustrates the mounting operation of the cartridge. Figure 38 is a top plan view, as seen from the direction of the mounting direction at the time of the cartridge mounting. Figure 39 is a perspective view which illustrates in the state of the drive stop of the cartridge (the photosensitive drum). Figure 40 is a longitudinal sectional view and a perspective view which illustrate the operation for taking out the cartridge.

In this embodiment, the description will be made about the cartridge detachably mountable to apparatus main assembly (A) provided with the control means (unshown) which can control the phase of the stop position of the pin 182. The one end side (an unshown photosensitive drum 107 side) of the drive shaft 180 is the same as that of the first embodiment, as shown in Figure 35 (a), and therefore, the description is omitted. On the other hand, as shown in Figure 35 (b), the other end side (the opposite side of the unshown photosensitive drum 107 side) is provided with a flag 14195 projected from the drive shaft 180 outer periphery of the drive shaft 180. And, the flag 14195 passes through the photo-interruptor 14196 fixed to the apparatus main assembly (A) by the rotation thereof. And, a control means (unshown) effects the control, so that after the rotation (for

example, image forming rotation) of the drive shaft 180, when the flag 14195 interrupts the photo-interruptor 14196 first, a motor 186 stops. By this, the pin 182 stops at a predetermined position relative to the rotation axis of the drive shaft 180. As for the motor 186, in the case of this embodiment, it is desirably a stepping motor with which the positioning control is easy.

Referring to Figure 36, the coupling used in this embodiment will be described.

The coupling 14150 mainly comprises three portions. As shown in Figure 36 (c), they are a driven portion 14150a for receiving the rotational force from the drive shaft 180, a driving portion 14150b for transmitting the rotational force to the drum shaft 153, and a connecting portion 14150c which connects the driven portion 14150a and the driving portion 14150b with each other.

The driven portion 14150a has a drive shaft inserting portion 14150m constituted by 2 surfaces which expand in a direction away from an axis L2. In addition, the driving portion 14150b has a drum shaft inserting portion 14150v constituted in the two surfaces which expand away from the axis L2.

The inserting portion 14150m has a tapered driving shaft receiving surfaces 14150f 1 or 14150f2. And, each end surface is provided with a projection

14150d 1 or 14150d2. The projections 14150d 1 or
14150d2 are disposed on a circumference about the axis
L2 of the coupling 14150. The receiving surfaces
14150f 1, 14150f2 constitute a recess 14150z, as shown
5 in the Figure. In addition, as shown in Figure 36 (d),
the downstream of the projection 14150d 1, 14150d2 with
respect to the clockwise direction is provided with a
rotational force receiving surface (rotational force
receiving portion) 14150e (14150e1, 14150e2). A pin
10 (rotational force applying portion) 182 abuts to this
receiving surface 14150e1, 14150e2. By this, the
rotational force is transmitted to the coupling 14150.
An interval (W) between the adjacent projections
14150d1-d2 is larger than the outer diameter of the
15 pin 182, in order to permit the entrance of the pin
182. This interval is the standing-by portions 14150k.

In addition, the inserting portion 14150v is
constituted by the two surfaces 14150i1, 14150 i2. And,
the standby openings 14150g 1 or 14150g2 are provided
20 in these surfaces 14150i1, 14150 i2 (the Figure 36a
Figure 36e). In addition, in Figure 36 (e), at the
upstream of the openings 14150g 1 or 14150g2 with
respect to the clockwise direction, a rotational force
transmission surface (rotational force transmitting
25 portion) 14150h (14150h 1 or 14150h2) is provided. And,
as described above, the pin (the rotational force
receiving portion) 155a contacts with the rotational

force transmission surfaces 14150h 1 or 14150h2. By this, the rotational force is transmitted to the photosensitive drum 107 from the coupling 14150.

With the shape of coupling 1415, the coupling is over the free end of the driving shaft in the state that the cartridge is mounted to the main assembly of the apparatus.

And, with the similar structure as the structure described by the first embodiment, the coupling 14150 can be inclined in any direction relative to the drum shaft 153.

Referring to Figure 37 and Figure 38, a mounting operation of the coupling will be described. Figure 37 (a) is a perspective view which illustrates the state before the coupling is mounted. Figure 37 (b) is a perspective view which illustrates the state where the coupling engaged. Figure 38 (a) is a top plan view thereof, as seen from the mounting direction. Figure 38 (b) is a top plan view thereof, as seen from the top relative to the mounting direction.

An axis L3 of the pin (rotational force applying portion) 182 is parallel to the mounting direction X4 by the control means described above. In addition, as to the cartridge, the phase aligns so that the receiving surfaces 14150f 1 and 14150f2 are opposite from each other in the direction perpendicular to the mounting direction X4 (Figure

37 (a)). As a structure for aligning the phase, any one side of the receiving surfaces 14150f1 or 14150f2 is aligned with a mark 14157z provided on the bearing member 14157, as shown in the Figure, for example.

5 This is carried out before shipping the cartridge from the plant. However, the user may carry out, before mounting the cartridge (B) to the apparatus main assembly. In addition, other phase adjusting means may be used. By doing so, the coupling 14150 and the drive
10 shaft 180 (the pin 182) are not interfered with each other with respect to the mounting direction, as shown in Figure 38 (a), in the positional relation.

Therefore, the coupling 14150 and the drive shaft 180 are engageable without the problem (Figure 37 (b)).

15 And, the drive shaft 180 rotates in the direction X8, so that the pin 182 contacts to the receiving surface 14150e1, 14150e2. By this, the rotational force is transmitted to the photosensitive drum 107,.

Referring to Figure 39 and Figure 40, the
20 description will be made as to the operation in which the coupling 14150 disengages from the drive shaft 180 in interrelation with the operation for taking out the cartridge (B) from the apparatus main assembly (A).

The phase of the pin 182 relative to the drive shaft
25 180 stops at the predetermined position by the control means. As described above, when the easiness of the mounting of the cartridge (B) is considered, it is

desirable for the pin 182 to stop with the phase parallel to the cartridge dismounting direction X6 (Figure 39b). The operation at the time of taking out the cartridge (B) is illustrated in Figure 40. In this state (Figure 40(a1) and(b1)), the coupling 14150 takes the rotational force transmitting angular position and the axis L2 and the axis L1 are substantially co-axial with each other. At this time, similarly to the case of mounting the cartridge (B), the coupling 14150 can be inclined in any direction relative to the drum shaft 153 (Figure 40.a1, Figure 40 b1). Therefore, the axis L2 inclines in the direction opposite from the dismounting direction relative to the axis L1 in interrelation with the dismounting operation of the cartridge (B). More particularly, the cartridge (B) is demounted in the direction (the direction of the arrow X6) substantially perpendicular to the axis L3. And, in the dismounting process of the cartridge, the axis L2 is inclined until the free end 14150 A3 of the coupling 14150 becomes along the free end 180b of the drive shaft 180 (the disengaging angular position). Or, it is inclined until the axis L2 comes to the drum shaft 153 side with respect to the free end portion 180b3 (Figure 40(a2), Figure 40(b2)). In this state, the coupling 14150 is passed by near the free end portion 180b3. By doing so, the coupling 14150 is

demounted from the drive shaft 180.

In addition, as shown in Figure 39 (a), the axis of the pin 182 may stop in the state perpendicular to the cartridge dismounting direction X6. The pin 182 usually stops at the position shown in Figure 39 (b) by the control of the control means. However, the voltage source of the device (the printer) may become OFF and the control means may not work. The pin 182 may stop at the position as shown in Figure 39 (a) in such a case. However, even in such a case, the axis L2 is inclined relative to the axis L1 similarly to the above described case, and the removal operation is possible. When the device is in the state of the drive stop, the pin 182 is in the downstream beyond the projection 14150d2 with respect to the dismounting direction X6. Therefore, the free end 14150 A3 of the projection 14150d1 of the coupling passes the drum shaft 153 side beyond the pin 182 by the axis L2 inclining. By this, the coupling 14150 is demounted from the drive shaft 180.

As has been described hereinbefore, even if it is the case where the coupling 14150 is engaged relative to the drive shaft 180 by a certain method on the occasion of the mounting of the cartridge (B) the axis L2 inclines relative to the axis L1 in the case of the dismounting operation. By this, the coupling 14150 can be demounted from the drive shaft 180 only

by such dismounting operation.

As has been described hereinbefore, according to this embodiment 2, this embodiment is effective even for the case of demounting the cartridge from the main assembly of the apparatus, in addition to the case of mounting and demounting the cartridge (B) relative to the apparatus main assembly (A).

[Embodiment 3]

Referring to Figure 41 -Figure 45, a third embodiment will be described.

Figure 41 is a sectional view which illustrates a state where a door of an apparatus main assembly A is open. Figure 42 is a perspective view which illustrates a mounting guide. Figure 43 is the enlarged view of a driving side surface of the cartridge. Figure 44 is a perspective view, as seen from a driving side, of the cartridge. Figure 45 shows a view which illustrates a state of inserting the cartridge into an apparatus main assembly.

In this embodiment, for example, as in the case of the clamshell type image forming device, the cartridge is mounted downwardly. A typical clamshell type image forming apparatus is shown in Figure 41. The apparatus main assembly A2 comprises a lower casing D2 and an upper casing E2. And, the upper casing E2 is provided with a door 2109 and an inside

exposure device 2101 of the door 2109. Therefore, when the upper casing E2 is opened upward, the exposure device 2101 retracts. And, an upper portion of the cartridge set portion 2130a is opened. When the user
5 mounts the cartridge B-2 to a set portion 2130a, the user drops the cartridge B-2 on X4B downward. The mounting completes with this, and therefore, the mounting of the cartridge is easy. In addition, the jam clearance operation of the adjacent a fixing
10 device 105 can effect from the device upper portion. Therefore, it excels in the easiness of the jam clearance. Here, the jam clearance is the operation for a removing a recording material 102 jammed in the course of the feeding.

15 More specifically, the set portion for the cartridge B-2 will be described. As shown in Figure 42, the image forming device A2 is provided with a mounting guide 2130R in a driving side, and is provided with a mounting guide unshown in a non-
20 driving side opposed to it. As mounting means 2130. The set portion 2130a is formed as the space surrounded by the guides to oppose. The rotational force is transmitted to the coupling 150 of the cartridge B-2 provided at this set portion 2130a from
25 the apparatus main assembly A.

The mounting guide 2130R is provided with a groove 2130b which extends in the perpendicular

direction substantially. In addition, an abutting portion 2130Ra for determining the cartridge B-2 at the predetermined position is provided in the lowermost portion thereof. In addition, a drive shaft 180 projects from the groove 2130b. In the state where the cartridge B-2 is positioned in the predetermined position, the drive shaft 180 transmits the rotational force to the coupling 150 from the apparatus main assembly A. In addition, in order to position the cartridge B-2 in the predetermined position assuredly, an urging spring 2188R is provided in the lower part of the mounting guide 2130R. By the structure described above, the cartridge B-2 is positioned in the set portion 2130a.

As shown in Figure 43 and Figure 44, the cartridge B-2 is provided with the cartridge side mounting guides 2140R1 and 2140R2. The orientation of the cartridge B-2 is stabilized by this guide at the time of the mounting. And, the mounting guide 2140R1 is integrally formed on the drum bearing member 2157. In addition, the mounting guide 2140R2 is provided substantially above the mounting guide 2140R1. And, the guide 2140R2 is provided in the second frame 2118, and it is in the form of a rib.

The mounting guides 2140R1, 2140R2 of the cartridge B-2 and the mounting guide 2130R of the apparatus main assembly A2 have the structures

described above. More particularly, it is the same as that of the structure of the guide which has been described in conjunction with Figs. 2 and 3. In addition, the structure of the guide of the other end
5 is also the same. Therefore, the cartridge B-2 is mounted while being moved to the apparatus main assembly A2 in the direction substantially perpendicular to the direction of the axis L3 of the drive shaft 180, and, in addition, it is similarly
10 demounted from the apparatus main assembly A2.

As shown in Figure 45, at the time of mounting the cartridge B-2, the upper casing E2 is clockwise rotated about a shaft 2109a and, the user brings the cartridge B-2 to the upper portion of the lower casing
15 D2. At this time, the coupling 150 is inclined downwardly by the weight Figure 43. In other words, the axis L2 of the coupling inclines relative to the drum axis L1 so that the driven portion 150a of the coupling 150 may face down the pre-engagement angular
20 position.

In addition, as has been described with respect to Embodiment 1, Figures 9 and 12, it is desirable to provide the semi-circular retention rib 2157e Figure 43. In this embodiment, the mounting
25 direction of the cartridge B-2 is downward. Therefore, the rib 2157e is disposed in the lower part. By this, as has been described with respect to Embodiment 1,

the axis L1 and the axis L2 are pivotable relative to each other, and the retention of the coupling 150 is accomplished. The retention rib prevents the coupling 150 from separating from the cartridge B-2. When the coupling 150 is mounted to the photosensitive drum 107, it is preventing separation from the photosensitive drum 107k.

In this state, as shown in Figure 45, the user lowers the cartridge B-2 downwardly, aligning the mounting guides 2140R1, 2140R2 of the cartridge B-2 with the mounting guides 2130R of the apparatus main assembly A2. The cartridge B-2 can be mounted to the set portion 2130a of the apparatus main assembly A2 only by this operation. In this mounting process, similarly to Embodiment 1, Figure 22, the coupling 150 can be engaged with the drive shaft 180 of the apparatus main assembly (the coupling takes the rotational force transmitting angular position in this state). More particularly, by moving in cartridge B-2 in the direction substantially perpendicular to the direction of the axis L3 of the drive shaft 180, the coupling 150 is engaged with the drive shaft 180. In addition, at the time of demounting the cartridge, similarly to Embodiment 1, the coupling 150 can be disengaged from the drive shaft 180 only by the operation which demounts the cartridge (the coupling moves to the disengaging angular position from the

rotational force transmitting angular position, Figure 25). More particularly, by moving the cartridge B-2 in the direction substantially perpendicular to the direction of the axis L3 of the drive shaft 180, the coupling 150 is disengaged from the drive shaft 180.

As has been described hereinbefore, since the coupling inclines downwardly by the weight when downwardly mounting the cartridge to the apparatus main assembly, it can engage with the drive shaft of the apparatus main assembly assuredly.

In this embodiment, the clamshell type image forming device has been described. However, the present invention is not limited to such an example. For example, the present embodiment can be applied if the mounting direction of the cartridge is downward. In addition, the mounting path thereof is not limited to straight downward. For example, it may be inclined downward in initial mounting stage of the cartridge, and it may become downward finally. The present embodiment is effective if the mounting path immediately before reaching the predetermined position (the cartridge set portion) is downward.

[Embodiment 4]

Referring to Figure 46 -Figure 49, the fourth embodiment of the present invention will be described.

In this embodiment, means to maintain the axis

L2 at the inclined state relative to the axis L1 will be described.

Only the member relating to the description of this portion of the present embodiment is shown in the drawing, and the other members are omitted. It is similar also in the other embodiments as will be described hereinafter.

Figure 46 is a perspective view which illustrates a coupling locking member (this is peculiar to the present embodiment) pasted on the drum bearing member. Figure 47 is an exploded perspective view which illustrates the drum bearing member, the coupling, and the drum shaft. Figure 48 is an enlarged perspective view of a major part of the driving side of the cartridge. Figure 49 is a perspective view and a longitudinal sectional view which illustrate an engaged state between the drive shaft and the coupling.

As shown in Figure 46, the drum bearing member 3157 has a space 3157b which surrounds a part of coupling. A coupling locking member 3159 as a maintaining member for maintaining the inclination of the coupling 3150 is pasted on a cylinder surface 3157i which constitutes the space thereof. As will be described hereinafter, this locking member 3159 is a member for maintaining temporarily the state where the axis L2 inclines relative to the axis L1. In other words, as shown in Figure 48, the flange portion 3150j

of the coupling 3150 contacts to this locking member 3159. By this, the axis L2 maintains the state of inclining toward the downstream with respect to the mounting direction (X4) of the cartridge relative to the axis L1 (Figure 49 (a1)). Therefore, as shown in Figure 46, the locking member 3159 is disposed on the upstream cylinder surface 3157i of the bearing member 3157 with respect to the mounting direction X4. As the material of the locking member 3159, the material which has a relatively high coefficient of friction, such as the rubber and the elastomer, or the elastic materials, such as the sponge and the flat spring, are suitable. This is because, the inclination of the axis L2 can be maintained by the frictional force, the elastic force, and so on. In addition, similarly to Embodiment 1 (it illustrates in Figure 31), the bearing member 3157 is provided with the inclining direction regulation rib 3157h. The inclining direction of the coupling 3150 can be assuredly determined by this rib 3157h. In addition, the flange portion 3150j and the locking member 3159 can contact relative to each other more assuredly. Referring to Figure 47, the assembly method of the coupling 3150 will be described. As shown in Figure 47, the pin (rotational force receiving portion) 155 enters the standing-by space 3150g of the coupling 3150. In addition, a part of coupling 3150 is inserted into the

space portion 3157b which the drum bearing member 3157 has. At this time, preferably, a distance D12 between an inner surface end of the rib 3157e and the locking member 3159 is set, so that it is larger than maximum
5 outer diameter of the driven portion 3150a $\Phi D10$. In addition, the distance D12 is set so that it is smaller than the maximum outer diameter of the driving portion 3150b $\Phi D11$. By this, the bearing member 3157 can be assembled straight. Therefore, the assembling
10 property is improved. However, the present embodiment is not limited to this relation.

Referring to Figure 49, the engaging operation (a part of mounting operation of the cartridge) for engaging the coupling 3150 with the drive shaft 180
15 will be described. Figures 49 (a1) and (b1) illustrate the state immediately before the engagement, and Figure 49 (a2) and (b2) illustrate the state of the completion of the engagement.

As shown in Figure 49 (a1) and Figure 49 (b1),
20 the axis L2 of the coupling 3150 inclines toward the downstream with respect to the mounting direction X4 relative to the axis L1 beforehand by the force of the locking member 3159 (pre-engagement angular position). By this inclination of the coupling 3150, by, in the
25 direction of the axis L1, the downstream (with respect to the mounting direction) free end portion 3150A1 is closer to the photosensitive drum 107 direction side

than the drive shaft free end 180b3. And, the upstream
(with respect to the mounting direction) free end
portion 3150A2 is closer to the pin 182 than the free
end 180b3 of the drive shaft 180 in addition, at this
5 time, as has been described in the foregoing, the
flange portion 3150j is contacted to the locking
member 3159. And, the inclined state of the axis L2 is
maintained by the frictional force thereof.

Thereafter, the cartridge B moves to the
10 mounting direction X4. By this, the free end surface
180b or the free end of the pin 182 contacts to the
driving shaft receiving surface 3150f of the coupling
3150. And, the axis L2 approaches to the direction in
parallel with the axis L1 by the contact force
15 (mounting force of the cartridge) thereof. At this
time, the flange portion 3150j is departed from the
locking member 3159, and becomes into the non-contact
state. And, finally, the axis L1 and the axis L2 are
substantially co-axial with each other. And, the
20 coupling 3150 is in the waiting (stand-by) state for
transmitting the rotational force (Figure 49 (a2),
(b2)). (rotational force transmitting angular
position).

Similarly to Embodiment 1, from the motor 186,
25 the rotational force is transmitted through the drive
shaft 180 to the coupling 3150, the pin (rotational
force receiving portion) 155, the drum shaft 153, and

the photosensitive drum 107. The axis L2 is substantially co-axial with the axis L1 at the time of the rotation. Therefore, the locking member 3159 is not in contact with the coupling 3150. Therefore, the locking member 3159 does not affect the rotation of the coupling 3150.

In addition, the operations follow the step similar to Embodiment 1 in the process in which the cartridge B is taken out from the apparatus main assembly A (Figure 25). In other words, the free end portion 180b of the drive shaft 180 pushes the driving shaft receiving surface 3150f of the coupling 3150. By this, the axis L2 inclines relative to the axis L1, and the flange portion 3150j is brought into contact to the locking member 3159. By this, the inclined state of the coupling 3150 is maintained again. In other words, the coupling 3150 moves to the pre-engagement angular position from the rotational force transmitting angular position.

As has been described hereinbefore, the inclined state of the axis L2 is maintained by the locking member 3159 (maintaining member). By this, the coupling 3150 can be more assuredly engaged with the drive shaft 180.

In this embodiment, the locking member 3159 is pasted on the upstreammost portion, with respect to cartridge mounting direction X4, of the inner surface

3157i of the bearing member 3157. However, the present invention is not limited to this example. For example, when the axis L2 inclines, any position which can maintain the inclined state thereof is usable.

5 In addition, in this embodiment, the locking member 3159 is contacted to the flange portion 3150j provided in the driving portion 3150b (Figure 49 (b1)) side. However, the contact position may be the driven portion 3150a.

10 In addition, the locking member 3159 used in this embodiment is a separate member in the bearing member 3157. However, the present embodiment is not limited to this example. For example, the locking member 3159 may be integrally molded with the bearing member 3157 (for example, two-color molding). Or, the bearing member 3157 may be directly contacted to the coupling 3150 in place of the locking member 3159. Or the surface thereof may be roughened for the purpose of raising the coefficient of friction.

20 In addition, in this embodiment, the locking member 3159 is pasted on the bearing member 3157. However, if the locking member 3159 is the member fixed to the cartridge B, it may be pasted on any position.

25

[Embodiment 5]

Referring to Figure 50 -Figure 53, the fifth

embodiment of the present invention will be described.

In the present embodiment, another means for maintaining in the state of inclining the axis L2 relative to the axis L1 will be described.

5 Figure 50 is an exploded perspective view of the coupling urging member (it is peculiar to the present embodiment) mounted to the drum bearing member. Figure 51 is an exploded perspective view which illustrates the drum bearing member, the coupling, and
10 the drum shaft. Figure 52 is an enlarged perspective view of a major part of the driving side of the cartridge. Figure 53 is a perspective view and a longitudinal sectional view which illustrate the drive shaft and the engaged state between the coupling.

15 As shown in Figure 50, a retaining hole 4157j is provided in the retention rib 4157e of the drum bearing member 4157. A coupling urging members 4159a, 4159b as a maintaining member for maintaining the inclination of the coupling 4150 in the retaining hole
20 4157j thereof are mounted. The urging members 4159a, 4159b urge the coupling 4150, so that the axis L2 inclines toward the downstream with respect to the mounting direction of the cartridge B-2 relative to the axis L1. Each urging member 4159a, 4159b is a
25 coiled compression spring (elastic material). As shown in Figure 51, the urging members 4159a, 4159b urge the flange portion 4150j of the coupling 4150 toward the

axis L1 (arrow of Figure 51 an X13). The contact position where the urging members contact with the flange portion 4150j is the downstream of the center of the drum shaft 153 with respect to the cartridge mounting direction X4. Therefore, as for the axis L2, the driven portion 4150a side inclines toward the downstream with respect to the mounting direction (X4) of the cartridge relative to the axis L1 by the elastic force by the urging member 4159a, 4159b (Figure 52).

In addition, as shown in Figure 50, the coupling side free end of each urging member 4159a, 4159b which is the coil spring is provided with a contact member 4160a, 4160b. The contact member 4160a, 4160b contacts the flange portion 4150j. Therefore, the material of the contact member 4160a, 4160b is preferably material of the high slidability. In addition, by using such the material, as will be described hereinafter, at the time of the rotational force transmission, the influence to the rotation of the coupling 4150 of an urging force by the urging member 4159a, 4159b is lessened. However, if the load relative to the rotation is sufficiently small, and the coupling 4150 satisfactorily rotates, the contact members 4160a, 4160b is not be inevitable).

In the present embodiment, two urging members are provided. However, if the axis L2 can incline

toward the downstream with respect to the mounting direction of the cartridge relative to the axis L1, the number of the urging members may be any. For example, in the case of the single urging member, as
5 for the energizing position, it is desirably the downstreammost position with respect to the mounting direction X4 of the cartridge. By this, the coupling 4150 can be stably inclined toward the downstream with respect to the mounting direction.

10 In addition, the urging member is a compression coil spring in the present embodiment. However, as the urging member, if an elastic force can be produced as with the flat spring, the torsion spring, the rubber, the sponge, and so on, it may be
15 any. However, in order to incline the axis L2, a certain amount of stroke is required. Therefore, as with the coil spring etc, it is desirable that the stroke can be provided.

Referring to Figure 51, the description will
20 be made about the mounting method of the coupling 4150.

As shown in Figure 51, the pin 155 enters the standing-by space 4150g of the coupling 4150. And, a part of coupling 4150 is inserted into the space 4157b of the drum bearing member 4157. At this time, as has
25 been described hereinbefore, the urging members 4159a, 4159b push the flange portion 4157j onto the predetermined position through the contact member

4160a, 4160b. The screw (4158a of Figure 52, 4158b) is threaded into the hole 4157g 1 or 4157g2 provided in the bearing member 4157, by which, the bearing member 4157 is fixed to the second frame 118. By this, the urging force to the coupling 4150 by the urging member 4159a, 4159b can be assured. And, the axis L2 is inclined relative to the axis L1 (Figure 52).

Referring to Figure 53, the operation (a part of mounting operation of the cartridge) of engaging the coupling 4150 with the drive shaft 180 will be described. Figure 53 (a1) and (b1) illustrate the state immediately before the engagement, Figure 53 (a2) and (b2) illustrate the state of the engagement completion, and Figure 53 (c1) illustrates the state therebetween.

In Figure 53 (a1) and (b1), the axis L2 of the coupling 4150 inclines toward the mounting direction X4 relative to the axis L1 beforehand (pre-engagement angular position). By the coupling 4150 inclining, the downstream free end position 4150A1 with respect to the direction of the axis L1 is closer to the photosensitive drum 107 than the free end 180b3. In addition, the free end position 4150A2 is closer to the pin 182 than the free end 180b3. In other words, as has been described hereinbefore, the flange portion 4150j of the coupling 4150 is pressed by the urging member 4159. Therefore, the axis L2 is inclined

relative to the axis L1 by the urging force thereof.

Thereafter, by the cartridge B moving to the mounting direction X4, the free end surface 180b or the free end (the main assembly side engaging portion) of the pin (rotational force applying portion) 182 is brought into contact to the driving shaft receiving surface 4150f or the projection 4150d of the coupling 4150 (the cartridge side contact portion). Figure 53 (c1) illustrates the state where the pin 182 is in contact with the receiving surface 4150f. And, the axis L2 approaches toward the direction in parallel with the axis L1 by the contact force (mounting force of the cartridge). Simultaneously, the pressing portion 4150j1 pressed by the elastic force of the spring 4159 provided in the flange portion 4150j moves in the compression direction of the spring 4159. And, finally, the axis L1 and the axis L2 becomes co-axial. And, the coupling 4150 takes the standby position for effecting the transmission of the rotational force (Figure (rotational force transmitting angular position) 53 (a2, b2)).

Similarly to Embodiment 1, the rotational force is transmitted to the coupling 4150, the pin 155, the drum shaft 153, and the photosensitive drum 107 through the drive shaft 180 from the motor 186. The urging force of the urging member 4159 act on the coupling 4150 at the time of the rotation. However, as

has been described hereinbefore, the urging force of the urging member 4159 act to the coupling 4150 through the contact member 4160. Therefore, the coupling 4150 can be rotated without high load. In addition, the contact member 4160 may not be provided if the driving torque of the motor 186 is sufficiently large. In this case, even if the contact member 4160 is not provided, the coupling 4150 can transmit the rotational force with high precision.

10 In addition, in the process in which the cartridge B is demounted from the apparatus main assembly A, the step opposite from the step to mount is followed. In other words, the coupling 4150 is normally urged to the downstream with respect to the mounting direction X4 by the urging member 4159. Therefore, in the dismounting process of the cartridge B, the receiving surface 4150f is in contact with the free end portion 182A of the pin 182 in the upstream side with respect to the mounting direction X4 (Figure 15 53 (c1)). In addition, a gap n50 is necessarily provided between the free end 180b of the transmitting surface 4150f and the drive shaft 180 in the downstream with respect to the mounting direction X4. In the above-described embodiments, in the dismounting process of the cartridge, the receiving surface 150f 20 or the projection 150d in the downstream with respect to the mounting direction X4 of the coupling has been

described as contacting to the free end portion 180b of the drive shaft 180 at least (for example, Figure 25). However, as in the present embodiment, the receiving surface 150f or the projection 4150d in the downstream with respect to the mounting direction X4 of the coupling does not contact to the free end portion 180b of the drive shaft 180, but corresponding to the dismounting operation of the cartridge B, the coupling 4150 can separate from the drive shaft 180. And, even after the coupling 4150 departs from the drive shaft 180, by the urging force of the urging member 4159, the axis L2 inclines toward the downstream with respect to the mounting direction X4 relative to the axis L1 (disengaging angular position). More particularly, in this embodiment, the angle of the pre-engagement angular position and the angle of the disengaging angular position relative to the axis L1 are equivalent relative to each other. This is because the coupling 4150 is urged by the elastic force of the spring.

In addition, the urging member 4159 has the function of inclining the axis L2, and it further has the function of regulating the inclining direction of the coupling 4150. More particularly, the urging member 4159 functions also as the regulating means for regulating the inclining direction of the coupling 4150.

As has been described hereinbefore, in this embodiment, the coupling 4150 is urged by the elastic force of the urging member 4159 provided in the bearing member 4157. By this, the axis L2 is inclined
5 relative to the axis L1. Therefore, the inclined state of the coupling 4150 is maintained. Therefore, the coupling 4150 can be assuredly engaged with the drive shaft 180.

The urging member 4159 described in this
10 embodiment is provided in the rib 4157e of the bearing member 4157. However, the present embodiment is not limited to such an example. For example, it may be another portion of the bearing member 4157 and may be any member fixed to the cartridge B (other than the
15 bearing member).

In addition, in this embodiment, the urging direction of the urging member 4159 is the direction of the axis L1. However, the urging direction may be any direction if the axis L2 inclines toward the
20 downstream with respect to the mounting direction X4 of the cartridge B.

In addition, in order to incline the coupling 4150 more assuredly toward the downstream with respect to the mounting direction of the cartridge B, a
25 regulating portion for regulating the inclining direction of the coupling may be provided in the process cartridge (Figure 31).

In addition, in this embodiment, the energizing position of the urging member 4159 is at the flange portion 4150j. However, the position of the coupling may be any if the axis L2 is inclined toward the downstream with respect to the mounting direction of the cartridge.

In addition, the present embodiment may be implemented in combination with Embodiment 4. In this case, the mounting and dismounting operation of the coupling can further be ensured.

[Embodiment 6]

Referring to Figure 54 - Figure 58, the sixth embodiment of the present invention will be described.

In this embodiment, another means to maintain the state where the axis L1 is inclined relative to the axis L1 will be described.

Figure 54 is an exploded perspective view of the process cartridge of this embodiment. Figure 55 is an enlarged side view of the driving side of the cartridge. Figure 56 is a schematic longitudinal sectional view of the drum shaft, the coupling, and the bearing member. Figure 57 is a longitudinal sectional view which illustrates the operation which mounts the coupling relative to the drive shaft. Figure 58 is a sectional view which illustrates a modified example of a coupling locking member.

As shown in Figure 54 and Figure 56, the drum bearing member 5157 is provided with a coupling locking member 5157k. At the time of assembling the bearing member 5157 in the direction of the axis L1, a part of a locking surface 5157k1 of the locking member 5157k engages with the upper surface 5150j1 of a flange portion 5150j, while contacting to the inclined surface 5150m of the coupling 5150. At this time, the flange portion 5150j is supported with the play (angle α 49), in the rotational direction, between locking surface 5157k1 of the locking portion 5157k, and circular column portion of the drum shaft 153 153a. The following effects are provided by providing this play (angle α 49). More particularly, even if the dimensions of the coupling 5150, the bearing member 5157, and the drum shaft 153 vary within the limits of the tolerance thereof, an upper surface 5150j1 can be locked assuredly in a lock face 5157k1.

And, as shown in Figure 56 (a), as for the axis L2, the driven portion 5150a side relative to the axis L1 inclines toward the downstream with respect to the mounting direction (X4) of the cartridge. In addition, since the flange portion 5150j exists over the full-circumference, it can retain irrespective of the phase of the coupling 5150. Furthermore, as has been described with respect to Embodiment 1, the

coupling 5150 can be inclined only in the mounting direction X4 by the regulating portion 5157h 1 or 5157h2 (Figure 55) as the regulating means. In addition, in this embodiment, the coupling locking member 5157k is provided in the downstreammost side with respect to the mounting direction (X4) of the cartridge.

As will be described hereinafter, in the state where the coupling 5150 is in engagement the drive shaft 180, the flange portion 5150j is released from the locking member 5157k as shown in Figure 56 (b). And, the coupling 5150 is free from the locking member 5157k. When it is not able to retain the state of inclining the coupling 5150 in the case of the assembling of the bearing member 5157, the driven portion 5150a of the coupling is pushed by tool and so on (Figure 56 (b), arrow X14). By doing so, the coupling 5150 can be easily returned to the inclined holding state (Figure 56 (a)).

In addition, the rib 5157m is provided in order to protect from the user touching on the coupling easily. The rib 5157m is set to the substantially same height as the free end position in the inclined state of the coupling (Figure 56 (a)). Referring to Figure 57, the operation (a part of mounting operation of the cartridge) for engaging the coupling 5150 with the drive shaft 180 will be

described. In Figure 57, (a) illustrates the state of the coupling immediately before engaging, (b) illustrates the state after a part of coupling 5150 passes the drive shaft 180, (c) illustrates the state where the inclination of the coupling 5150 is released by the drive shaft 180, and (d) illustrates the engaged state.

In the states of (a) and (b), the axis L2 of the coupling 5150 inclines toward the mounting direction X4 relative to the axis L1 beforehand (pre-engagement angular position). By the coupling 5150 inclining, the free end position 5150A1 is closer to the photosensitive drum than the free end 180b3 in the direction of the axis L1. In addition, the free end position 5150A2 is closer to the pin 182 than the free end 180b3. In addition, as has been described hereinbefore, at this time, the flange portion 5150j is in contact with the locking surface 5157k1, and the inclined state of the coupling 5150 is maintained.

Thereafter, as shown in (c), the receiving surface 5150f or the projection 5150d contacts to the free end portion 180b or the pin 182 by the cartridge B moving to the mounting direction X4. The flange portion 5150j separates from the locking surface 5157k1 by the contact force thereof. And, the lock relative to the bearing member 5157 of the coupling 5150 is released. And, in response to the cartridge

mounting operation, the coupling is inclined so that the axis L2 thereof becomes substantially co-axial with the axis L1. After the flange portion 5150j passes, the locking member 5157k returns to the previous position by restoring force. At this time, the coupling 5150 is free from the locking member 5157k. And, finally, as shown in (d), the axis L1 and the axis L2 become substantially co-axial, and the rotation stand-by state is established (rotational force transmitting angular position).

In addition, the step similar to Embodiment 1 is followed in the process in which the cartridge B is demounted from the apparatus main assembly A (Figure 25). More particularly, the coupling 5150 is changed in the order of (d), (c), (b), and (a) by the movement in the dismounting direction X6 of the cartridge. First, the free end portion 180b pushes the receiving surface 5150f (the cartridge side contact portion). By this, the axis L2 inclines relative to the axis L1, and the lower surface 5150j2 of the flange portion begins to contact to the inclined surface 5157k2 of the locking member 5157k. And, an elastic portion 5157k3 of the locking member 5157k bends, and a locking surface free end 5157k4 departs from the inclining locus of the flange portion 5150j (Figure 57 (c)). Furthermore, the flange portion 5150j and the locking surface 5157k1 contact relative to each other

as the cartridge advances in the dismounting direction (X6). By this, the inclination angle of the coupling 5150 is maintained (Figure 57 (b)). More particularly, the coupling 5150 is swung (pivoted) from the rotational force transmitting angular position to the disengaging angular position.

As has been described hereinbefore, the angular position of the coupling 5150 is maintained by the locking member 5157k. By this, the inclination angle of the coupling is maintained. Therefore, the coupling 5150 can be assuredly engaged with the drive shaft 180. Furthermore, at the time of the rotation, the locking member 5157k is not in contact with the coupling 5150. Therefore, the stabilized rotation can be accomplished by the coupling 5150.

The motion of the coupling shown in Figures 56, 57 and 58 may include whirling motion.

In this embodiment, the locking member 5157k is provided with an elastic portion. However, it may be the rib which does not have the elastic portion. More particularly, an amount of engagement between the locking member 5157k and the flange portion 5150j is decreased. By this, the similar effect can be provided by making the flange portion 5150j deform to a slight degree (Figure 58 (a)).

In addition, the locking member 5157k is provided in the downstreammost side with respect to

the mounting direction X4. However, if the inclination toward the predetermined direction of the axis L2 can be maintained, the position of the locking member 5157k may be any.

5 Figure 58 (b) and (c) illustrate the example in which the coupling locking portion 5357k (Figure (58b)) and 5457k (Figure 58c) are provided in the upstream with respect to the mounting direction X4.

 In addition, the locking member 5157k has been
10 constituted by a part of bearing member 5157 in the above-described embodiment. However, if it is fixed to the cartridge B, the locking member 5157k may be constituted as a part of a member other than the bearing member. In addition, the locking member may be
15 a separate member.

 In addition, the present embodiment may be implemented with Embodiment 4 or Embodiment 5. In this case, the mounting and dismounting operation with the more assured coupling is accomplished.

20

[Embodiment 7]

 Referring to Figure 59 - Figure 62, the seventh embodiment of the present invention will be described.

25

 In this embodiment, another means for maintaining the axis of the coupling at the inclined state relative to the axis of the photosensitive drum

will be described.

Figure 59 is a perspective view which illustrates the state of pasting a magnet member (peculiar to the present embodiment) on the drum bearing member. Figure 60 is an exploded perspective view. Figure 61 is an enlarged perspective view of a major part of the driving side of the cartridge. Figure 62 is a perspective view and a longitudinal sectional view which illustrate the drive shaft and an engaged state between the coupling.

As shown in Figure 59, a drum bearing member 8157 constitutes a space 8157b which surrounds a part of coupling. A magnet member 8159 as a maintaining member for maintaining the inclination of the coupling 8150 is pasted on a cylinder surface 8157i which constitutes the space thereof. In addition, as shown in Figure 59, the magnet member 8159 is provided in the upstream (with respect to the mounting direction X4) of the cylinder surface 8157i. As will be described hereinafter, this magnet member 8159 is a member for maintaining temporarily the state where the axis L2 inclines relative to the axis L1. Here, a part of coupling 8150 is made of magnetic material. And, the magnetic portion is attracted to the magnet member 8159 by a magnetic force of a magnet member 8159. In this embodiment, the substantially full-circumference of the flange portion 8150j is made of the metal

magnetic material 8160. In other words, as shown in Figure 61, the flange portion 8150j contacts to this magnet member 8159 by the magnetic force. By this, the axis L2 maintains the state of inclining toward the downstream with respect to the mounting direction (X4) of the cartridge relative to the axis L1 (Figure 62 (a1)). Similarly to Embodiment 1 (Figure 31), an inclining direction regulation rib 8157h is preferably provided in the bearing member 8157. The inclining direction of the coupling 8150 is more assuredly determined by provision of the rib 8157h. And, the flange portion 8150j of magnetic material and the magnet member 8159 can contact to each other more assuredly. Referring to Figure 60, the description will be made about the assembly method of the coupling 8150.

As shown in Figure 60, the pin 155 enters a standing-by space 8150g of the coupling 8150, and a part of coupling 8150 is inserted into a space portion 8157b of the drum bearing member 8157. At this time, preferably, a distance D12 between an inner surface end of a retention rib 8157e of the bearing member 8157 and the magnet member 8159 is larger than the maximum outer diameter of a driven portion 8150a $\phi D10$. In addition, the distance D12 is smaller than the maximum outer diameter of a driving portion 8150b $\phi D11$. By this, the bearing member 8157 can be assembled

straight. Therefore, the assembling property improves. However, the present embodiment is not limited to this relation.

Referring to Figure 62, the engaging operation
5 (a part of mounting operation of the cartridge) for engaging the coupling 8150 with the drive shaft 180 will be described. Figure 62(a1) and (b1) illustrates the state immediately before the engagement, and Figure 62 (a2) and (b2) illustrate the state of the
10 engagement completion.

As shown in Figure 62 (a1) and (b1), the axis L2 of the coupling 8150 inclines toward the downstream with respect to the mounting direction X4 relative to the axis L1 beforehand by the force of the magnet
15 member (maintaining member) 8159 (pre-engagement angular position).

Thereafter, the free end surface 180b or the pin 182 free end contacts to the driving shaft receiving surface 8150f of the coupling 8150 by the
20 cartridge B moving to the mounting direction X4. And, the axis L2 approaches so that it may become substantially co-axial with the axis L1 by the contact force (mounting force of the cartridge) thereof. At this time, the flange portion 8150j separates from the
25 magnet member 8159, and is in the non-contact state. And, finally, the axis L1 and the axis L2 become substantially co-axial. And, the coupling 8150 is in

the rotation latency state (Figure 62 (a2), Figure (b2)) (rotational force transmitting angular position).

The motion shown in Figure 62 may include whirling motion.

5 As has been described hereinbefore, in this embodiment, the inclined state of the axis L2 is maintained by the magnetic force of the magnet member 8159 (maintaining member) pasted on the bearing member 8157. By this, the coupling can be more assuredly
10 engaged with the drive shaft.

[Embodiment 8]

Referring to Figure 63 - Figure 68, the eighth embodiment of the present invention will be described.

15 In this embodiment, another means to maintain the state where the axis L2 is inclined relative to the axis L1 will be described.

Figure 63 is a perspective view which illustrates a driving side of a cartridge. Figure 64
20 is an exploded perspective view which illustrates a state before assembling a drum bearing member. Figure 65 is a schematic longitudinal sectional view of a drum shaft, a coupling, and a drum bearing member. Figure 66 is a perspective view which illustrates a
25 driving side of an apparatus main assembly guide. Figure 67 is a longitudinal sectional view which illustrates disengagement of a lock member. Figure 68

is a longitudinal sectional view which illustrates the engaging operation of the coupling to the drive shaft.

As shown in Figure 63, the coupling 6150 is inclined toward the downstream with respect to the mounting direction (X4) by the locking member 6159 and the spring member 6158.

First, referring to Figure 64, the description will be made about a drum bearing member 6157, a locking member 6159, and a spring member 6158. The bearing member 6157 is provided with an opening 6157v. And, the opening 6157v and the locking portion (locking member) 6159a engage with each other. By this, a free end 6159a1 of the locking portion 6159a projects into a space portion 6157b of the bearing member 6157. As will be described hereinafter, the state of inclining the coupling 6150 by this locking portion 6159a is maintained. The locking member 6159 is mounted to the space 6157p of the bearing member 6157. The spring member 6158 is mounted by the boss 6157m of the hole 6159b and the bearing member 6157. The spring member 6158 in the present embodiment employs a compression coil spring which has a spring force (elastic force) of about 50g - 300g. However, if it is a spring which produces the predetermined spring force, any may be used. In addition, the locking member 6159 is the movable in the mounting direction X4 by the engagement with the slot 6159d and the rib

6157k.

When the cartridge B is outside the apparatus main assembly A (state where the cartridge B is not mounted to the apparatus main assembly A), the coupling 6150 is in the state of inclining. In this state, a locking portion free end 6159a1 of the locking member 6159 is in the movable range T2 (hatching) of the flange portion 6150j. Figure 64 (a) shows an orientation of the coupling 6150. By this, the inclination orientation of the coupling can be maintained. Furthermore, the locking member 6159 is abutted to an outer surface 6157q (Figure 64 (b)) of the bearing member 6157 by the spring force of the spring member 6158. By this, the coupling 6150 can maintain the stabilized orientation. In order to engage the coupling 6150 with the drive shaft 180, this lock is released to permit the inclination of the axis L2. In other words, as shown in Figure 65 (b), the locking portion free end 6159a1 moves in the direction of X12 to retract from the movable range T2 of the flange portion 6150j.

The description will further be made about the releasing of the locking member 6159.

As shown in Figure 66, the main assembly guide 6130R1 is provided with the lock releasing member 6131. At the time of mounting the cartridge B to the apparatus main assembly A, the releasing member 6131

and the locking member 6159 engage with each other. By this, the position of the locking member 6159 in the cartridge B changes. Therefore, the coupling 6150 becomes pivotable.

5 Referring to Figure 67, the releasing of the locking member 6159 will be described. When the free end position 6150A1 of the coupling 6150 comes to the neighborhood of the shaft free-end 180b3 by the movement, in the mounting direction X4, of the
10 cartridge B, the releasing member 6131 and the locking member 6159 engage with each other. At this time, a rib 6131a of the releasing member 6131 (contact portion) and a hook portion 6159c of the locking member 6159 (force receiving portion) contact to each
15 other. By this, the position of the locking member 6159 in the inside of the apparatus main assembly A is fixed (b). Thereafter, the locking portion free end 6159a1 is located in the space portion 6157b by the cartridge moving through 1 - 3mm in the mounting
20 direction. Therefore, the drive shaft 180 and the coupling 6150 are engageable with each other, and the coupling 6150 is in the swingable (pivotable) state (c).

 Referring to Figure 68, the engaging operation
25 of the coupling relative to the drive shaft and the position of the locking member will be described.

 In the state of Figure 68 (a) and (b), the

axis L2 of the coupling 6150 inclines toward the mounting direction X4 relative to the axis L1 beforehand (pre-engagement angular position). At this time, with respect to the direction of the axis L1, the free end position 6150A1 is closer to the photosensitive drum 107 than the shaft free-end 180b3 and, the free end position 6150A2 is closer to the pin 182 than the shaft free-end 180b3. In the state of (a), the locking member (force receiving portion) 6159 is engaged in the state for receiving the force from the lock releasing member (contact portion) 6131. And, in the state of (b), the locking portion free end 6159a1 retracts from the space portion 6157b. By this, the coupling 6150 is released from the orientation maintenance state. More particularly, the coupling 6150 becomes swingable (pivotable).

Thereafter, as shown in (c), by the movement of the cartridge toward the mounting direction X4, driving shaft receiving surface 6150f of the coupling 6150 (the cartridge side contact portion) or projection 6150d contacts to the free end portion 180b or the pin 182. And, in response to the movement of the cartridge, the axis L2 approaches so that it may become substantially co-axial with the axis L1. And, finally, as shown in (d), the axis L1 and the axis L2 become substantially co-axial. By this, the coupling 6150 is in the rotation latency state (rotational

force transmitting angular position).

The timing at which the locking member 6159 retracts is as follows. More particularly, after the free end position 6150A1 passes by the shaft free-end 180b3, and before the receiving surface 6150f or the projection 6150d contacts to the free end portion 180b or the pin 182, the locking member 6159 retracts. By doing so, the coupling 6150 does not receive an excessive load, and the assured mounting operation is accomplished. The receiving surface 6150f has a tapered shape.

In addition, in the dismounting process from the apparatus main assembly A of the cartridge B, the step opposite from the step to mount is followed. More particularly, by moving the cartridge B in the dismounting direction, the free end portion 180b of the drive shaft (the main assembly side engaging portion) 180 pushes the receiving surface 6150f (the cartridge side contact portion). By this, the axis L2 begins (Figure 68 (c)) to incline relative to the axis L1. And, the coupling 6150 passes by the shaft free-end 180b3 completely (Figure 68 (b)). The hook portion 6159c spaces from the rib 6131a immediately after that. And, the locking portion free end 6159a1 contacts to the lower surface 6150j2 of the flange portion. Therefore, the inclined state of the coupling 6150 is maintained (Figure 68 (a)). More particularly, the

coupling 6150 is pivoted to the disengaging angular position from the rotational force transmitting angular position (swinging).

5 The motion shown in Figures 67 and 68 may include whirling motion.

As has been described hereinbefore, the inclination angle position of the coupling 6150 is maintained by the locking member 6159. By this, the inclined state of the coupling is maintained.

10 Therefore, the coupling 6150 is more assuredly mounted relative to the drive shaft 180. Furthermore, at the time of the rotation, the locking member 6159 does not contact to the coupling 6150. Therefore, the coupling 6150 can effect more stabilized rotation.

15 In the embodiment described above, the locking member is provided in the upstream with respect to the mounting direction. However, the position of the locking member may be any if the inclination in the predetermined direction of the axis of the coupling is
20 maintained.

In addition, the present embodiment may be implemented with Embodiments 4-7. In this case, mounting and dismounting operations of the coupling can be ensured.

25

[Embodiment 9]

Referring to Figure 69 - Figure 73, the ninth

embodiment of the present invention will be described.

In this embodiment, another means for inclining the axis L2 relative to the axis L1 will be described.

5 Figure 69 is an enlarged side view of a driving side of a cartridge. Figure 70 is a perspective view which illustrates a driving side of an apparatus main assembly guide. Figure 71 is a side view which illustrates a relation between the
10 cartridge and the main assembly guide. Figure 72 is a side view and a perspective view which illustrate a relation between the main assembly guide and the coupling. Figure 73 is a side view which illustrates a mounting process.

15 Figure 69 (a1) and Figure 69 (b1) are a side views of the cartridge (as seen from the drive shaft side), and Figure 69 (a2) and Figure 69 (b2) are a side views of the drive shaft (as seen from the opposite side) of the cartridge. As shown in Figure 69,
20 in the pivotable state toward the downstream with respect to the mounting direction (X4), the coupling 7150 is mounted to the drum bearing member 7157. In addition, as for the inclining direction, as has been described with respect to Embodiment 1, it is
25 pivotable only to the downstream with respect to the mounting direction X4 by the retention rib (regulating means) 7157e. In addition, in Figure 69 (b1), the axis

L2 of the coupling 7150 inclines with the angle α 60 relative to the horizontal line. The reason why the coupling 7150 inclines with the angle α 60 is as follows. In the flange portion 7150j of the coupling
5 7150, a regulating portion 7157h 1 or 7157h2 as the regulating means regulate. Therefore, the downstream side (mounting direction) of the coupling 7150 is pivotable toward the direction upwardly inclined by the angle α 60.

10 Referring to Figure 70, the description will be made about the main assembly guide 7130R. The main assembly guide 7130R1 includes a guide rib 7130R1a for guiding the cartridge B through the coupling 7150, and cartridge positioning portions 7130R1e, 7130R1f. The
15 rib 7130R1a is on the mounting locus of the cartridge B. And, the rib 7130R1a is extended to just before the drive shaft 180 with respect to the cartridge mounting direction. And, the rib 7130R1b adjacent to the drive shaft 180 has the height to avoid interference. When
20 the coupling 7150 engages with the drive shaft 180. The main assembly guide 7130R2 mainly includes a guide portion 7130R2a and the cartridge positioning portion 7130R2c for determining the orientation at the time of the mounting of the cartridge by guiding a part
25 cartridge frames B1.

The relation between the main assembly guide 7130R and the cartridge at the time of mounting the

cartridge will be described.

As shown in Figure 71 (a), in the driving side, while a connecting portion (force receiving portion) 7150c of the coupling 7150 contacts to the guide rib (contact portion) 7130R1a, a cartridge B moves. At this time, the cartridge guide 7157a of the bearing member 7157 is separated from the guide surface 7130R1c by n59. Therefore, the weight of the cartridge B is applied to the coupling 7150. In addition, on the other hand, as has been described hereinbefore, the coupling 7150 is set, so that it is pivotable toward the direction to which the downstream side with respect to the mounting direction upwardly inclines by the angle $\alpha 60$ relative to the mounting direction (X4). Therefore, the driven portion 7150a of the coupling 7150 inclines toward the downstream (direction inclined by the angle $\alpha 60$ from the mounting direction) with respect to the mounting direction X4 (Figure 72),.

The reason for the inclination of the coupling 7150 is as follows. The connecting portion 7150c receives the reaction force corresponding to the weight of the cartridge B from the guide rib 7130R1a. And, the reaction force applies to the regulating portion 7157h 1 or 7157h2 for regulating the inclining direction. By this, the coupling is inclined to the predetermined direction.

Here, when the connecting portion 7150c moves on the guide rib 7130R1a, a frictional force is between the connecting portion 7150c and the guide rib 7130R1a. Therefore, the coupling 7150 receives a force in the direction opposite from the mounting direction X4 by this frictional force. However, the frictional force produced by the coefficient of friction between the connecting portion 7150c and the guide rib 7130R1a is smaller than the force for pivoting the coupling 7150 to the downstream with respect to the mounting direction X4 by the reaction force. Therefore, the coupling 7150 overcomes the frictional force is pivoted to the downstream with respect to the mounting direction X4.

The regulating portion 7157p (Figure 69) of the bearing member 7157 may be used as the regulating means for regulating the inclination. By this, the regulation of the inclining direction of the coupling is carried out at the different positions with respect to the direction of the axis L2 by the regulating portions 7157h 1, 7157h2 (Figure 69) and the regulating portion 7157p. By this, the direction which the coupling 7150 inclines can be regulated more assuredly. In addition, it can always be inclined toward the angle of approximately α 60. However, the regulation of the inclining direction of the coupling 7150 may be made by another means.

In addition, the guide rib 7130R1a is in the space 7150s constituted by the driven portion 7150a, the driving portion 7150b, and the connecting portion 7150c. Therefore, in the mounting process, the longitudinal position (the direction of the axis L2) in the inside of the apparatus main assembly A of the coupling 7150 is regulated (Figure 71). By the longitudinal position of the coupling 7150 being regulated, the coupling 7150 can be more assuredly engaged relative to the drive shaft 180.

The engaging operation for engaging the coupling 7150 with the drive shaft 180 will be described. The engaging operation is the same as that of Embodiment 1 substantially (Figure 22). Here, referring to Figure 73, the description will be made about the relation among the main assembly guide main assembly guide 7130R2, the bearing member 7157, and the coupling 7150 to the process which the coupling engages with the drive shaft 180. As long as the connecting portion 7150c contacts to the rib 7130R1a, the cartridge guide 7157a is separate from the guide surface 7130R1c. By this, the coupling 7150 is inclined (Figure 73 (a), Figure 73 (d)) (pre-engagement angular position). At the time of the free end 7150A1 of the inclined coupling 7150 passing by the shaft free-end 180b3, the connecting portion 7150c is departed from the guide rib 7130R1a (Figure 73 (b),

Figure 73 (e)). At this time, the cartridge guide 7157a passes the guide surface 7130R1c, and begins to contact to the positioning surface 7130R1e through the inclined surface 7130R1d (Figure 73 (b), Figure 73 (e)). After that, the receiving surface 7150f or the projection 7150d contacts to the free end portion 180b or the pin 182. And, in response to the cartridge mounting operation, the axis L2 becomes substantially co-axial with the axis L1, and the center of the drum shaft and the center of the coupling align with each other. And, finally, as shown in Figure 73 (c) and Figure 73 (f), the axis L1 and the axis L2 are co-axial relative to each other. And, the coupling 7150 is in the rotation latency state (rotational force transmitting angular position).

In addition, the step substantially opposite from the engaging operation is followed in the process which takes out the cartridge B from the apparatus main assembly A. In other words, the cartridge B moves in the dismounting direction. By this, the free end portion 180b pushes the receiving surface 7150f. By this, the axis L2 begins to incline relative to the axis L1. The upstream free end portion 7150A1 with respect to the dismounting direction moves on the shaft free-end 180b by dismounting operation of the cartridge, and, the axis L2 inclines until the upper free end portion A1 reaches the drive shaft free-end

180b3. And, the coupling 7150 passes by the shaft free-end 180b3 completely in this state (Figure 73 (b)). After that, the connecting portion 7150c contacts the coupling 7150 to the rib 7130R1a. By this, 5 the coupling 7150 is taken out in the state inclined toward the downstream with respect to the mounting direction. In other words, the coupling 5150 is pivoted to the disengaging angular position from the rotational force transmitting angular position 10 (swinging).

As has been described hereinbefore, the coupling swings by the user mounting the cartridge to the main assembly, and it engages with the main assembly driving shaft. In addition, a special means 15 for maintaining the orientation of the coupling is unnecessary. However, the orientation maintenance structure as in the embodiment 4-embodiment 8 may be used with the present embodiment.

In this embodiment, the coupling is inclined 20 toward the mounting direction by applying the weight to the guide rib. However, not only the weight, the spring force and so on may be utilized further.

In this embodiment, the coupling is inclined by the connecting portion of the coupling receiving 25 the force. However, the present embodiment is not limited to this example. For example, if the coupling is inclined by receiving the force from a contact

portion of the main assembly, the portion other than the connecting portion may be contacted to the contact portion.

In addition, the present embodiment may be implemented with any of the embodiment 4-embodiment 8. In this case, the engagement and disengagement relative to the drive shaft of the coupling can be ensured.

10 [Embodiment 10]

Referring to Figure 74 - Figure 81, the tenth embodiment of the present invention will be described.

In this embodiment, another means for inclining the axis L2 relative to the axis L1 will be described.

Figure 74 is a perspective view which illustrates a driving side of an apparatus main assembly.

Referring to Figure 74, a main assembly guide and a coupling urging means will be described.

The present embodiment is effectively applied, in the case that the frictional force described in Embodiment 9 would be larger than the force of pivoting the coupling 7150 toward the downstream (mounting direction X4) by the reaction force. More particularly, for example, even if the frictional force increases by rubbing action to the connecting

portion or the main assembly guide, the coupling can be assuredly pivoted to the pre-engagement angular position, according to this embodiment,. The main assembly guide 1130R1 includes. A guide surface 5 1130R1b for guiding the cartridge B through the cartridge guide 140R1 (Figure 2), A guide rib 1130R1c which guides the coupling 150, and cartridge positioning portion 1130R1a. The guide rib 1130R1c is on the mounting locus of the cartridge B. And, the 10 guide rib 1130R1c is extended to just before the drive shaft 180 with respect to the cartridge mounting direction. In addition, a rib 1130R1d provided adjacent to the drive shaft 180 has a height not causing interference when the coupling 150 engages.

15 A part of a rib 1130R1c is cut away. And, the main assembly guide slider 1131 is mounted to the rib 1130R1c slidably in the direction of an arrow W. The slider 1131 is pressed by an elastic force of an urging spring 1132. And, the position is determined by 20 the slider 1131 abutting to the abutment surface 1130R1e of the main assembly guide 1130R1. In this state, the slider 1131 projects from the guide rib 1130R1c.

The main assembly guide 1130R2 has a guide. 25 portion 1130R2b for determining the orientation at the time of the mounting of the cartridge B by guiding a part of cartridge frames B1, and a cartridge

positioning portion 1130R2a.

Referring to Figure 75 - Figure 77, the among relation of the main assembly guide 1130R1, 1130R2, the slider 1131, and the cartridge B, at the time of mounting the cartridge B, will be described. Figure 75 is a side view, as seen from the main assembly driving shaft 180 (Figures 1 and 2) side, and Figure 76 is a perspective view thereof. Figure 77 is a sectional view taken along Z-Z of Figure 75.

As shown in Figure 75, in the driving side, while the cartridge guide 140R1 of the cartridge contacts to the guide surface 1130R1b, the cartridge moves. At this time, as shown in Figure 77, the connecting portion 150c is separated from the guide rib 1130R1c by n1. Therefore, the force is not applied to the coupling 150. In addition, as shown in Figure 75, the coupling 150 is regulated by the regulating portion 140R1a at the upper surface and the left side. Therefore, the coupling 150 is freely pivotable only in the mounting direction (X4).

Referring to Figure 78 - Figure 81, the operation of moving the slider 1131 to the retreating position from the energizing position while the coupling 150 contacts to the slider 1131, will be described. In Figure 78 - Figure 79, the coupling 150 contacts in the apex 1131b of the slider 1131, more particularly, the slider 1131 is in the retreating

position. The connecting portion 150c and the inclined surface of the projection of the slider 1131 1131a contact with each other by the entrance of the coupling 150 pivotable only in the mounting direction (X4). By this, the slider 1131 is depressed and it moves to the retreating position.

Referring to Figure 80 - Figure 81, the operation after the coupling 150 rides over an apex 1131b of the slider 1131 will be described. Figure 80 - Figure 81 illustrate the state after the coupling 150 ride over the apex 1131b of the slider 131.

When the coupling 150 rides over the apex 1131b, the slider 1131 tends to return from the retreating position to the energizing position by the elastic force of the urging spring 132. In that case, a part of connecting portion 150c of the coupling 150 receives the force F from the inclined surface 1131c of the slider 1131. More particularly, the inclined surface 1131c functions as the force applying portion and it functions as the force receiving portion for a part of connecting portion 150c to receive this force. As shown in Figure 80, the force receiving portion is provided in the upstream of the connecting portion 150c with respect to the cartridge mounting direction. Therefore, the coupling 150 can be inclined smoothly. As shown in Figure 81, in addition, the force F is divided into a component force F_1 and a component

force F2. At this time, the upper surface of the coupling 150 is regulated by the regulating portion 140R1a. Therefore, the coupling 150 is inclined toward the mounting direction (X4) by the component force F2. More particularly, the coupling 150 is inclined toward the pre-engagement angular position. By this, the coupling 150 becomes engageable with the drive shaft 180.

In the embodiment described above, the connecting portion receives the force and the coupling is inclined. However, the present embodiment is not limited to this example. For example, if the coupling is pivotable by receiving the force from the contact portion of the main assembly, the portion other than the connecting portion may contact with the contact portion.

In addition, the present embodiment may be implemented with any of the embodiment 4-embodiment 9. In this case, the engagement and disengagement of the coupling relative to the drive shaft can be ensured.

[Embodiment 11]

Referring to Figure 82 - Figure 84, the eleventh embodiment of the present invention will be described.

In the present embodiment, the configuration of the coupling will be described. Figure 82 - Figure

84 (a) are perspective views of couplings, Figure 82 -
Figure 84 (b) are sectional views of the couplings.

In the previous embodiments, the driving shaft
receiving surface and the drum bearing surface of the
5 coupling have conical shapes, respectively. However,
in this embodiment, the different configuration will
be described.

A coupling 12150 shown in Figure 82 mainly
comprises three portions similarly to the coupling
10 shown in Figure 8. More particularly, as shown in
Figure 82 (b), the coupling 12150 comprises an a
driven portion 12150a for receiving the drive from the
drive shaft, a driving portion 12150b for transmitting
the drive to a drum shaft, and a connecting portion
15 12150c which connects the driven portion 12150a and
the driving portion 12150b with each other.

As shown in Figure 82 (b), the driven portion
12150a has a drive shaft insertion opening portion
12150m as an expanded part which expands toward the
20 drive shaft 180 relative to the axis L2 the driving
portion 12150b has a drum shaft insertion opening
portion 12150v as an expanded part which expands
toward the drum shaft 153. An opening 12150m and an
opening 12150v are constituted by the driving shaft
25 receiving surface 12150f of a divergent shape, and the
drum bearing surface 12150i of a divergent shape,
respectively. The receiving surface 12150f and the

receiving surface 12150i have the recesses 12150x,
12150z as shown in the Figure. At the time of the
rotational force transmission, the recess 12150z
opposes to the free end of the drive shaft 180. More
5 particularly, the recess 12150z covers the free end of
the drive shaft 180.

Referring to Figure 83, a coupling 12250 will
be described. As shown in Figure 83 (b), a driven
portion 12250a has a drive shaft insertion opening
10 portion 12250m as an expanded part which expands
toward the drive shaft 180 relative to the axis L2 a
driving portion 12250b has a drum shaft insertion
opening portion 12250v as the expanded part which
expands toward the drum shaft 153 relative to the axis
15 L2.

An opening 12250m and an opening 12250v are
constituted by the driving shaft receiving surface
12250f of a bell-like shape, and the drum bearing
surface 12250i of a bell-like shape, respectively. A
20 receiving surface 12250f and a receiving surface
12250i constitute the recesses 12250x, 12250z as shown
in the Figure. At the time of the rotational force
transmission, the recess 12250z engages with the free
end portion of the drive shaft 180. Referring to
25 Figure 84, a coupling 12350 will be described. As
shown in Figure 84 (a), a driven portion 12350a
includes drive receiving projections 12350d 1 or

12350d 2 or 12350d3 and 12350d4 which are directly extended from a connecting portion 12350c and which expand radially toward the drive shaft 180 relative to the axis L2. In addition, the portion between the adjacent projections 12350d1-121350d4 constitutes the standing-by portion. Furthermore, the rotational force receiving surfaces (rotational force receiving portion) 12350e (12350e1-e4) are provided in the upstream with respect to the rotational direction X7.

At the time of the rotation, a rotational force is transmitted to the rotational force receiving surfaces 12350e1-e4 from the pin (rotational force applying portion) 182. At the time of the rotational force transmission, the recess 12250z opposes to the free end portion of the drive shaft which is the projection of the apparatus main assembly. More particularly, the recess 12250z covers the free end of the drive shaft 180.

In addition, if the effect similar to Embodiment 1 is provided, the configuration of the opening 12350v may be any.

In addition, the mounting method to the cartridge of the coupling is the same as that of Embodiment 1, and therefore, the description is omitted. In addition, the operation of mounting the cartridge to the apparatus main assembly, and the operation of extracting from the apparatus main

assembly are the same as those of Embodiment 1 (Figures 22 and 25), and therefore, the description is omitted.

As has been described hereinbefore, the drum bearing surface of the coupling has the expanding configuration, and the coupling can be mounted relative to the axis of the drum shaft for inclination. In addition, the driving shaft receiving surface of the coupling has the expanding configuration and can incline the coupling, without interfering with the drive shaft in response to the mounting operation or the dismounting operation of the cartridge B. By this, also in this embodiment, the effects similar to the first embodiment or the second embodiment can be provided.

In addition, as for the configurations of the opening 12150m, 12250m and the opening 12150v, 12250v, they may be a combination of the divergent, bell-like shapes.

[Embodiment 12]

Referring to Figure 85, the twelfth embodiment of the present invention will be described.

The present embodiment is different from Embodiment 1 in the configuration of the coupling. Figure 85 (a) is a perspective view of a coupling which has a substantially cylindrical shape, and

Figure 85 (b) is a sectional view when the coupling mounted to the cartridge engages with a drive shaft.

A drive side edge of the coupling 9150 is provided with a plurality of driven projections 9150d. In addition, a drive receiving stand-by portion 9150k is provided between the drive receiving projections 9150d. The projection 9150d is provided with a rotational force receiving surface (rotational force receiving portion) 9150e. A rotational force transmitting pin (rotational force applying portion) 9182 of the drive shaft 9180 as will be described hereinafter contacts to the rotational force receiving surface 9150e. By this, a rotational force is transmitted to the coupling 9150.

In order to stabilize the running torque transmitted to the coupling, a plurality of rotational force receiving surfaces 9150e are desirably disposed on the same circumference (on the phantom circle C1 of Figure 8 (d)). By the disposition in this manner, the rotational force transmission radius is constant and the torque transmitted is stabilized. In addition, from the viewpoint of the stabilization of the drive transmission, the receiving surfaces 9150e are desirably provided on the opposed positions (180 degrees) diametrically. In addition, the number of the receiving surfaces 9150e may be any if the pin 9182 of the drive shaft 9180 can be received by the standing-

by portion 9150k. In the present embodiment, the number is two. The rotational force receiving surfaces 9150e may not be on the same circumference, or they may not be disposed diametrically opposed positions.

5 In addition, the cylinder surface of the coupling 9150 is provided with the standby opening 9150g. In addition, the opening 9150g is provided with the rotational force transmission surface (rotational force transmitting portion) 9150h. The drive
10 transmission pin (rotational force receiving member) 9155 (Figure 85 (b)) of the drum shaft as will be described hereinafter contacts to this rotational force transmission surface 9150h. By this, the rotational force is transmitted to the photosensitive
15 drum 107.

 Similarly to the projection 9150d, the rotational force transmission surface 9150h is desirably disposed diametrically opposed on the same circumference.

20 The structures of the drum shaft 9153 and the drive shaft 9180 will be described. In Embodiment 1, the cylindrical end is a spherical surface. In this embodiment, however, a diameter of a spherical free end portion 9153b of the drum shaft 9153 is larger
25 than a diameter of a main part 9153a. With this structure, even if the coupling 9150 has the cylindrical shape as illustrated, it is pivotable

relative to the axis L1. In other words, a gap g as illustrated is provided between the drum shaft 9153 and the coupling 9150 by this, the coupling 9150 is pivotable (swingable) relative to the drum shaft 9153.

5 The configuration of the drive shaft 9180 is the same as that of the drum shaft 9150 substantially. In other words, the configuration of the free end portion 9180b is the spherical surface, and the diameter thereof is larger than the diameter of the main part 9180a of the

10 cylindrical shape portion. In addition, the pin 9182 which pierces through the substantial center of the free end portion 9180b which is the spherical surface is provided the pin 9182 transmits the rotational force to the rotational force receiving surface 9150e

15 of the coupling 9150.

The drum shaft 9150 and the spherical surface of the drive shaft 9180 are in engagement with the inner surface 9150p of the coupling 9150. By this, the relative position between the drum shaft 9150 and the

20 coupling 9150 of the drive shaft 9180 is determined. The operation with respect to the mounting and demounting of the coupling 9150 is the same as Embodiment 1, and therefore, the description thereof is omitted.

25 As has been described hereinbefore, the coupling has the cylindrical shape, and therefore, the position with respect to the direction perpendicular

to the direction of the axis L2 of the coupling 9150 can be determined relative to the drum shaft or the drive shaft. A modified example of the coupling will be described further. In the configuration of the coupling 9250 shown in Figure 85 (c), a cylindrical shape and a conical shape are put together. Figure 85 (d) is a sectional view of the coupling of this modified example. A driven portion 9250a of the coupling 9250 has a cylindrical shape, and an inner surface 9250p thereof engages with the spherical surface of the drive shaft. Furthermore, it has the abutment surface 9250q and can effect the positioning with respect to the axial direction between the coupling 9250 and the drive shaft 180. The driving portion 9250b has a conical shape, and, similarly to Embodiment 1, the position relative to the drum shaft 153 is determined by the drum bearing surface 9250i.

The configuration of the coupling 9350 shown in Figure 85 (e) is a combination of a cylindrical shape and a conical shape. Figure 85 (f) is a sectional view of this modified example the driven portion 9350a of the coupling 9350 has a cylindrical shape, and the inner surface 9350p thereof engages with the spherical surface of the drive shaft 180. The positioning in the axial direction is effected by abutting the spherical surface of the drive shaft to the edge portion 9350q formed between the cylindrical

portions having different diameters.

The configuration of the coupling 9450 shown in Figure 85 (g) is a combination of a spherical surface, a cylindrical shape, and a conical shape. Figure 85 (h) is a sectional view of this modified example a driven portion 9450a of the coupling 9450 has a cylindrical shape, and the inner surface 9450p thereof engages with the spherical surface of the drive shaft 180. A spherical surface of the drive shaft 180 is contacted to a spherical surface 9450q which is a part of the spherical surface. By this, the position can be determined with respect to the direction of the axis L2.

In addition, in this embodiment, the coupling has the substantially cylindrical shape and the free end portions of the drum shaft or the drive shaft have the spherical configurations in addition, it has been described that the diameter thereof is larger than the diameter of the main part of the drum shaft or the drive shaft. However, the present embodiment is not limited to such an example. The coupling has a cylindrical shape and the drum shaft or the drive shaft has a cylindrical shape and, a diameter of the drum shaft or the drive shaft is small relative to an inner diameter of an inner surface of the coupling within limits in which the pin does not disengage from the coupling. By this, the coupling is pivotable

relative to the axis L1 the coupling can be inclined without interfering with the drive shaft in response to the mounting operation or the dismounting operation of the cartridge B. In view of this, also in this
5 embodiment, the effects similar to Embodiment 1 or Embodiment 2 can be provided.

In addition, in this embodiment, although an example of the combination of the cylindrical shape and conical shape has been described as the
10 configuration of the coupling, it may be opposite to the example. In other words, the drive shaft side may be formed into a conical shape, and the drum shaft side may be formed into a cylindrical shape.

15 [Embodiment 13]

Referring to Figure 86 - Figure 88, the thirteenth embodiment of the present invention will be described.

The present embodiment is different from
20 Embodiment 1 in the mounting operation relative to the drive shaft of the coupling, and the structure with respect to it. Figure 86 is a perspective view which illustrates a configuration of a coupling 10150 of the present embodiment. The configuration of the coupling
25 10150 is a combination of the cylindrical shape and conical shape which have been described in Embodiment 10. In addition, a tapered surface 10150r is provided

on the free end side of a coupling 10150. In addition, the surface of an opposite side of the drive receiving projection 10150d with respect to the direction of the axis L1 is provided with an urging force receiving surface 10150s.

Referring to Figure 87, the structure of the coupling will be described.

An inner surface 10150p and a spherical surface 10153b of a drum shaft 10153 of the coupling 10150 are in engagement with each other. An urging member 10634 is interposed between a receiving surface 10150s described in the foregoing and a bottom surface 10151b of a drum flange 10151. By this, the coupling 10150 is urged toward the drive shaft 180. In addition, similarly to the foregoing embodiments, a retention rib 10157e is provided in the drive shaft 180 side of the flange portion 10150j with respect to the direction of the axis L1. By this, the disengagement of the coupling 10150 from the cartridge is prevented the inner surface 10150p of the coupling 10150 is cylindrical. Therefore, it is the movable in the direction of the axis L2.

Figure 88 is for illustrating the orientation of the coupling in the case that the coupling engages with the drive shaft. Figure 88 (a) is a sectional view of the coupling 150 of Embodiment 1, and Figure 88 (c) is a sectional view of a coupling 10150 of the

present embodiment. And, Figure 88 (b) is a sectional view before reaching the state of Figure 88 (c) the mounting direction is shown by X4 and the chain line L5 is a line drawn in parallel with the mounting
5 direction from the free end of the drive shaft 180.

In order for the coupling to engage with the drive shaft 180, the downstream free end position 10150A1 with respect to the mounting direction needs to pass the free end portion 180b3 of the drive shaft
10 180. In the case of Embodiment 1, the axis L2 inclines by more than angle $\alpha 104$. By this, the coupling moves to the position where the free end position 150A1 does not interfere with the free end portion 180b3 (Figure 88 (a)).

15 On the other hand, in the coupling 10150 of the present embodiment, it in the state where it does not be in engagement with the drive shaft 180, the coupling 10150 takes the position nearest to the drive shaft 180 by the restoring force of the urging member
20 10634. In this state, when it moves in the mounting direction X4, a part of drive shafts 180 contact the cartridge B at the tapered surface 10150r of the coupling 10150 (Figure 88 (b)). At this time, the force is applied to the tapered surface 10150r in the
25 direction opposite the X4 direction therefore, the coupling 10150 is retracted in the longitudinal direction X11 by a component force thereof. And, the

free end portion 10153b of the drum shaft 10153 abuts to an abutting portion 10150t of the coupling 10150 in addition, the coupling 10150 rotates clockwise about the center P1 of the free end portion 10153b (pre-engagement angular position). By this, the free end position 10150A1 of the coupling passes by the free end 180b of the drive shaft 180 (Figure 88 (c)). When the drive shaft 180 and the drum shaft 10153 becomes substantially co-axial, a driving shaft receiving surface 10150f of the coupling 10150 contacts to the free end portion 180b by the restoring force of the urging spring 10634. By this, the coupling becomes in the rotation latency state (Figure 87). (rotational force transmitting angular position). With such a structure, the movement in the direction of the axis L2 and the pivoting motion (swinging operation) are combined, and the coupling is swung from the pre-engagement angular position to the rotational force transmitting angular position.

By this structure, even if the angle α 106 (inclination amount of the axis L2) is small, the cartridge can be mounted to the apparatus main assembly A. Therefore, the space required by the pivoting motion of the coupling 10150 is small.

Therefore, latitude in the design of the apparatus main assembly A is improved.

The rotation according to the drive shaft 180

of the coupling 10150 is the same as Embodiment 1, and therefore, the description thereof is omitted. At the time of taking out the cartridge B from the apparatus main assembly A, the free end portion 180b is forced
5 on the conical shape driving shaft receiving surface 10150f of the coupling 10150 by removing force. The coupling 10150 is pivoted by this force, while retracting toward the direction of the axis L2 by this, the coupling is demounted from the drive shaft 180. In
10 other words, the moving operation in the direction of the axis L2 and the pivoting motion are combined (whirling motion may be includes), the coupling can be pivoted to the disengaging angular position from the rotational force transmitting angular position.

15

[Embodiment 14]

Referring to Figure 89-Figure 90, the 14th embodiment of the present invention will be described.

The point in which the present embodiment is
20 different from Embodiment 1 is in the engaging operation and the structure with respect to it relative to the drive shaft of the coupling.

Figure 89 is a perspective view which illustrates only the coupling 21150 and the drum shaft
25 153 Figure 90 is a longitudinal sectional view, as seen from the lower of the apparatus main assembly As shown in Figure 89, the magnet member 21100 is mounted

to the end of the driving portion 21150a of the coupling 21150. The drive shaft 180 shown in Figure 90 comprises magnetic material. Therefore, in this embodiment, the magnet member 21100 is inclined in the coupling 21150 by the magnetic force between the drive shaft 180 of it and magnetic material.

First, as shown in Figure 90 (a), the coupling 21150 is not particularly inclined relative to the drum shaft 153 at this time, the magnet member 21100 is positioned in the driving portion 21150a in the upstream with respect to the mounting direction X4.

When it is inserted to the position shown in Figure 90 (b), the magnet member 21100 is attracted toward the drive shaft 180. And, as illustrated, the coupling 21150 begins the swinging motion by the magnetic force thereof.

Thereafter, the leading end position 21150A1 of the coupling 21150 with respect to the mounting direction (X4) passes by the drive shaft free-end 180b3 which has the spherical surface. And, the driving shaft receiving surface 21150f of a conical shape or the driven projection 21150d (the cartridge side contact portion) which constitutes the recess 21150z of the coupling 21150 contacts the free end portion 180b or 182 after the passage (Figure 90 (c)).

And, it inclines so that the axis L2 becomes substantially co-axial with the axis L1 in response to

the mounting operation of the cartridge B (Figure 90 (d)).

Finally, the axis L1 and the axis L2 become substantially co-axial with each other. In this state, the recess 21150z covers the free end portion 180b. The axis L2 pivots the coupling 21150 to the rotational force transmitting angular position from the pre-engagement angular position so that it is substantially co-axial with the axis L1. The coupling 21150 and the drive shaft 180 are engaged with each other (Figure 90 (e)).

Motion of the coupling shown in Figure 90 may also include the revolution.

It is necessary to position the magnet member 21100 in the upstream of the driving portion 21150a with respect to the mounting direction X4.

Therefore, at the time of mounting the cartridge B to the apparatus main assembly A, it is necessary to align the phase of the coupling 21150. The method described with respect to Embodiment 2 is usable for the method of doubling the phase of the coupling.

The state of receiving rotation driving force and rotating after the mounting completion is the same as Embodiment 1 and therefore, the description is omitted.

[Embodiment 15]

Referring to Figure 91, the 15th embodiment of the present invention will be described.

The point in which the present embodiment is different from Embodiment 1 is the manner of support of the coupling. In embodiment 1, the axis L2 of the coupling thereof is pivotable, while being interposed between the free end portion of the drum shaft and the retention rib. On the other hand, in the present embodiment, the axis L2 of the coupling is pivotable only by the drum bearing member this will be described in more detail.

Figure 91 (a) is a perspective view which illustrates the state in the course of mounting the coupling. Figure 91 (b) is a longitudinal sectional view thereof. Figure 91 (c) is a perspective view which illustrates the state where the axis L2 inclines relative to the axis L1. Figure 91 (d) is a longitudinal sectional view thereof. Figure 91 (e) is a perspective view which illustrates the state where the coupling rotates. Figure 91 (f) is a longitudinal sectional view thereof.

In this embodiment, the drum shaft 153 is placed in a space defined by an inner surface of a space portion 11157b of a drum bearing member 11157 in addition, the rib 11157e and the rib 11157p are provided on the inner surface opposite from the drum

shaft 153 (at the different positions with respect to the direction of the axis L1).

With this structure, a flange portion 11150j and a drum bearing surface 11150i are regulated by an inner end surface 11157p1 and circular column portion 11153a of the rib in the state in which the axis L2 is inclined (Figure 91 (d)). Here, the end surface 11157p1 is provided in the bearing member 11157. In addition, the circular column portion 11153a is a part of drum shaft 11153. And, when the axis L2 becomes substantially co-axial with the axis L1 (Figure 91 (f)), the flange portion 11150j and the taper outer surface 11150q are regulated by the outer end 11157p2 of the rib 11157e and the rib of the bearing member 11157.

Therefore, the coupling 11150 is retained in the bearing member 11157 by selecting the configuration of the bearing member 11157 to the appropriate in addition, the coupling 11150 can be pivotably mounted relative to the axis L1.

In addition, the drum shaft 11153 has only the drive transmitting portion in the free end thereof and, the spherical surface portion for regulating the movement of the coupling 11150 and so on is unnecessary therefore, the processing of the drum shaft 11153 is easy.

In addition, the rib 11157e and the rib 11157p

are disposed offset. By this, as shown in Figure 91 (a) and Figure 91 (b), the coupling 11150 is assembled into the bearing member 11157 in a slightly oblique direction (in the Figure X12) more particularly, the special method of assembling is unnecessary thereafter, the bearing member 11157 to which the coupling 11150 was mounted temporarily is assembled into the drum shaft 11153 (in the Figure the X13 direction).

10

[Embodiment 16]

Referring to Figure 92, the 16th embodiment of the present invention will be described.

The point of difference of the present embodiment from Embodiment 1 is in the mounting method of the coupling. In Embodiment 1, the coupling is interposed between the free end portion and the retention rib of the drum shaft. On the contrary, in this embodiment, the retention of the coupling is effected by a rotational force transmitting pin (rotational force receiving member) 13155 of a drum shaft 13153. More particularly, in this embodiment, a coupling 13150 is held by a pin 13155.

This will be described in more detail.

Figure 92 illustrates the coupling held at the end of the photosensitive drum 107 (cylindrical drum 107a) a part of driving side of the photosensitive

drum 107 is shown, and the others are omitted for simplicity.

In Figure 92 (a), the axis L2 is substantially co-axial relative to the axis L1 in this state, a
5 coupling 13150 receives a rotational force from a drive shaft 180 at a driven portion 13150a. And, the coupling 13150 transmits the rotational force to the photosensitive drum 107.

And, as shown in Figure 92 (b), the coupling
10 13150 is mounted to a drum shaft 13153 so that it is pivotable in any direction relative to the axis L1. The configuration of the driven portion 13150a may be the same as the configuration of the driven portion described with respect to Figure 82 - Figure 85 and,
15 this photosensitive drum unit U13 is assembled into the second frame in the manner described with respect to Embodiment 1. And, at the time of mounting and demounting the cartridge B relative to the apparatus main assembly A, the coupling is engageable and
20 detachable relative to the drive shaft.

The mounting method according to the present embodiment will be described. The free end (unshown) of the drum shaft 13153 is covered by the coupling
13150 thereafter, the pin (rotational force receiving
25 member) 13155 is inserted into a hole (unshown) of the drum shaft 13153 in the direction perpendicular to the axis L1. In addition, the opposite ends of the pin

13155 outwardly project beyond an internal surface of a flange portion 13150j. The pin 13155 is prevented from separating from the standby opening 13150g by these settings. By this, it is not necessary to add a part for preventing the disengagement of the coupling 13150.

As mentioned above, according to the embodiment described above, the drum unit U13 is constituted by the cylindrical drum 107a, the coupling 13150, the photosensitive drum 107, the drum flange 13151, the drum shaft 13153, the drive transmission pin 13155, and so on. However, the structure of the drum unit U13 is not limited to this example.

As means for inclining the axis L2 to the pre-engagement angular position, immediately before the coupling engages with the drive shaft, the embodiment 3-embodiment 10 described until now can be employed.

In addition, with respect to engagement and disengagement between the coupling and the drive shaft operated interrelatedly with the mounting and the dismounting of the cartridge, it is the same as that of Embodiment 1, and therefore, the description is omitted.

In addition, as has been described with respect to Embodiment 1 (Figure 31), the inclining direction of the coupling is regulated by the bearing member. By this, the coupling can be more assuredly

engaged with the drive shaft.

With the above-described structures, the coupling 13150 is a part of the photosensitive drum unit integral with the photosensitive drum. Therefore, at the time of the assembling, handling is easy, and therefore, the assembling property can be improved.

[Embodiment 17]

Referring to Figure 93, the 17th embodiment of the present invention will be described.

The point that the present embodiment is different from Embodiment 1 is in the mounting method of the coupling. With respect to Embodiment 1, the coupling is mounted to the free end side of the drum shaft, so that, the axis L2 is slantable in any direction relative to axis L1. On the contrary, in this embodiment, the coupling 15150 is directly mounted to the end of the cylindrical drum 107a of the photosensitive drum 107, so that it is slantable in any direction.

This will be described in more detail.

Figure 93 shows an electrophotographic photosensitive member drum unit ("drum unit") U. A coupling 15150 is mounted to an end part of the photosensitive drum 107 (cylindrical drum 107a) in this Figure. As for the photosensitive drum 107, a part of driving side is shown and the others are

omitted for the simplification.

The axis L2 is substantially co-axial relative to the axis L1 in Figure 93 (a). In this state, the coupling 15150 receives a rotational force from the drive shaft 180 at a driven portion 15150a. And, the coupling 15150 transmits the received rotational force to the photosensitive drum 107.

And, an example is shown in Figure 93 (b), wherein the coupling 15150 is mounted to the end part of the cylindrical drum 107a of the photosensitive drum 107, so that it is slantable in any direction. In this embodiment, one end of the coupling is mounted not to the drum shaft (projection) but into the recess (rotational force receiving member) provided at the end part of the cylinder 107a. And, the coupling 15150 is pivotable also in any direction relative to the axis L1. As for the driven portion 15150a, the configuration described with respect to Embodiment 1 is shown, but it may be a configuration of the driven portion of the coupling described in Embodiment 10 or Embodiment 11. And, as has been described with respect to Embodiment 1, this drum unit U is assembled into the second frame 118 (drum frame), and it is constituted as the detachably mountable cartridge to the apparatus main assembly.

Thus, the drum unit U is constituted by the coupling 15150, the photosensitive drum 107

(cylindrical drum 107a), the drum flange 15151, and so on.

As for a structure for inclining the axis L2 toward the pre-engagement angular position, immediately before the coupling 15150 engages with the drive shaft 180, any of embodiment 3-embodiment 9 is usable.

In addition, the engagement and disengagement between the coupling and the drive shaft which are operated interrelatedly with the mounting and the dismounting of the cartridge are the same as those of Embodiment 1. Therefore, the description is omitted.

In addition, as has been described with respect to Embodiment 1 (Figure 31), the drum bearing member is provided with regulating means for regulating inclining direction of the coupling relative to axis L1. By this, the coupling can be more assuredly engaged with the drive shaft.

With this structure, the coupling can be slantably mounted without the drum shaft which was described heretofore in any direction relative to the photosensitive drum. Therefore, the cost reduction can be accomplished.

In addition, according to the above structure, the coupling 15150 is a part of the drum units comprising the photosensitive drum as a unit. Therefore, in the cartridge, handling is easy at the

time of the assembling, and the assembling property is improved.

Referring to Figure 94 - Figure 105, the present embodiment will further be described.

5 Figure 94 is a perspective view of the process cartridge B-2 which uses the coupling 15150 of the present embodiment. The outer periphery 15157a of an outside end of a drum bearing member 15157 provided at the driving side functions as a cartridge guide 140R1.

10 In addition, in the one longitudinal end (driving side) of the second frame unit 120, a cartridge guide 140R2 which outwardly projects is provided substantially above a cartridge guide 140R1 which outwardly projects.

15 The process cartridge is supported detachably in the apparatus main assembly by these cartridge guides 140R1, 1402 and a cartridge guide (unshown) provided at the non-driving side. More particularly, the cartridge B is moved to the apparatus main
20 assembly A in the direction substantially perpendicular to the direction of the axis L3 of the drive shaft 180, when it is mounted to the apparatus main assembly A2 or is demounted from it.

 Figure 95 (a) is a perspective view of the
25 coupling, as seen from the driving side, Figure 95 (b) is a perspective view of the coupling, as seen from the photosensitive drum side, and Figure 95 (c) shows

a view of the coupling, as seen from the direction perpendicular to the axis L2. Figure 95 (d) is a side view of the coupling, as seen from the driving side, Figure 95 (e) shows a view, as seen from the
5 photosensitive drum side, and Figure 95 (f) is a sectional view taken along S21-S21 of Figure 95 (d).

The coupling 15150 is engaged with the drive shaft 180 in the state where the cartridge B is mounted to the set portion 130a provided in the
10 apparatus main assembly A. And, by removing the cartridge B from the set portion 103a, it is disengaged from the drive shaft 180. And, in the state where it engaged with the drive shaft 180, the coupling 15150 receives the rotational force from the
15 motor 186, and transmits a rotational force to the photosensitive drum 107.

The coupling 15150 mainly comprises three portions (Figure 95 (c)). A first portion is a driven portion (a portion to be driven) 15150a which has a
20 rotational force reception surface (rotational force receiving portion) 15150e (15150e1-15150e4) for engaging with a drive shaft 180 and receiving a rotational force from a pin 182. A second portion is a driving portion 15150b which engages with a drum
25 flange 15151 (pin 15155 (rotational force receiving member)), and transmits a rotational force. A third portion is a connecting portion 15150c which connects

the driven portion 15150a and the driving portion 15150b. The materials of these portions are resin materials, such as polyacetal, the polycarbonate, and PPS. However, in order to enhance rigidity of the member, the glass fiber, the carbon fiber, and so on may be mixed in the resin material depending on the required load torque. In addition, the rigidity may further be enhance(d) by inserting metal in the above described resin material, and the whole coupling may be made with the metal and so on. The driven portion 15150a is provided with a drive shaft insertion opening portion 15150m in the form of an expanded part which expands into a conical shape relative to the axis L2 as shown in Figure 95. (f). The opening 15150m constitutes a recess 15150z as shown in the Figure.

The driving portion 15150b has a spherical driving shaft receiving surface 15150i. The coupling 15150 can pivot between the rotational force transmitting angular position and the pre-engagement angular position (disengaging angular position) relative to the axis L1 by the receiving surface 15150i. By this, the coupling 15150 is engaged with the drive shaft 180 without being prevented by the free end portion 180b of the drive shaft 180 irrespective of the rotation phase of the photosensitive drum 107. The driving portion 15150b has the convex configuration as shown in the Figure.

And, a plurality of drive receiving projections 15150d1-d4 are provided on a circumference (phantom circle in Figure 8 (d) C1) of an end surface of the driven portion 15150a. In addition, the spaces between the adjacent projections 15150d 1 or 15150d 2 or 15150d3 and 15150d4 function as drive receiving stand-by portions 15150k1, 15150k2, 15150k3, 15150k4. Each interval between the adjacent projections 15150d1-d4 are larger than the outer diameter of the pin 182, so that the pin (rotational force applying portion) 182 is received these intervals are standing-by portions 15150k1-k4. In addition, in Figure 95 (d), in the clockwise downstream of the projection 15150d, the rotational force receiving surfaces (rotational force receiving portion) 15150e1-15150e4 facing faced in the direction crossing with the direction of the rotational movement of the coupling 15150 is provided. When the drive shaft 180 rotates, the pin 182 abuts or contacts to one of the drive force receiving surfaces 15150e1-15150e4. And, the drive force receiving facing 15150 is pushed by the side surface of the pin 182, and rotates the coupling 15150 about the axis L2.

In addition, the driving portion 15150b has a spherical surface. The coupling 15150 can be pivoted between the rotational force transmitting angular position and the pre-engagement angular position (or disengaging angular position) by the provision of the

spherical surface irrespective of the rotation phase of the photosensitive drum 107 in the cartridge B (swinging). In the illustrated example, spherical surface is a spherical drum bearing surface 15150i which has its axis aligned with the axis L2. And, a hole 15150g for penetration anchoring for the pin (rotational force transmitting portion) 15155 is formed through the center thereof.

Referring to Figure 96, the description will be made as to an example of a drum flange 15151 which mounts the coupling 15150. Figure 96 (a) shows a view as seen from the drive shaft side, and Figure 96 (b) is a sectional view taken along S22-S22 of Figure 96 (a).

The openings 15151g 1, 15151g2 shown in Figure 96 (a) are in the form of grooves extended in the circumferential direction of the flange 15151. An opening 15151g3 is provided between the opening 15151g1 and the opening 15151g2. At the time of mounting the coupling 15150 to the flange 15151, the pin 15155 is accommodated in these openings 15151g 1, 15151g2. In addition, the drum bearing surface 15150i is accommodated in the opening 15151g3.

With the above-described structures, irrespective of the rotation phase of the photosensitive drum 107 (irrespective of the stop position of the pin 15155) in the cartridge B-2, the

coupling 15150 is pivotable (swingable) between the rotational force transmitting angular position and the pre-engagement angular positions (or disengaging angular position).

5 In addition, in Figure 96 (a), the rotational force transmission surfaces (rotational force receiving members) 15151h 1, 15151h2 are provided in the clockwise upstream of the openings 15151g 1 or 15151g2. And, the side surfaces of the rotational
10 force transmitting pin (rotational force transmitting portion) 15155 of the coupling 15150 contact to the rotational force transmission surfaces 15151h 1, 15151h2. By this, a rotational force is transmitted from the coupling 15150 to the photosensitive drum 107.
15 Here, the transmitting surfaces 15151h 1 - 15151h2 are faced in the circumferential direction of the rotational movement of the flange 15151. By this, the transmitting surfaces 15151h 1 - 15151h2 are pushed to the side surfaces of the pin 15155. And, in the state
20 of the axis L1 and the axis L2 being substantially coaxial, the coupling 15150 rotates about the axis L2.

Here, the flange 15151 has a transmission receiving portion 15151h 1, 15151h2, and therefore, it functions as a rotational force receiving member.

25 The retaining portion 15151i shown in Figure 96 (b) has the function of retaining the coupling 15150 to the flange 15151, so that the coupling can

pivot between the rotational force transmitting angular position and the pre-engagement angular positions (or disengaging angular position) in addition, it has the function of regulating the movement of the coupling 15150 in the direction of the axis L2. Therefore, the opening 15151j has diameter $\Phi D15$ smaller than the diameter of the bearing surface 15150i. Thus, the motion of the coupling is limited by the flange 15151. Because of this, the coupling 15150 does not disengage from the photosensitive drum (cartridge).

As has been shown in Figure 96, the driving portion 15150b of the coupling 15150 is in engagement with the recess provided in the flange 15151.

Figure 96 (c) is a sectional view which illustrates the process in which the coupling 15150 is assembled to the flange 15151.

The driven portion 15150a and the connecting portion 15150c are inserted in the direction X33 into the flange 15151. In addition, the positioning member 15150p (driving portion 15150b) which has the bearing surface 15150i is put in the direction of an arrow X32. The pin 15155 penetrates a fixing hole 15150g of the positioning member 15150p, and the fixing hole 15150r of the connecting portion 15150c. By this, the positioning member 15150p is fixed to the connecting portion 15150c.

Figure 96 (d) shows a sectional view which illustrates the process in which the coupling 15150 is fixed to the flange 15151.

The coupling 15150 is moved in the X32 direction, so that the bearing surface 15150i is brought into contact or proximity with the retaining portion 15151i. The retaining portion material 15156 is inserted in the direction of the arrow X32, and it is fixed to the flange 15151. The coupling 15150 is mounted to the flange 15151 with a play (gap) to the positioning member 15150p in this mounting method. By this, the coupling 15150 can change the direction thereof.

Similarly to the projection 15150d, the rotational force transmission surfaces 15150h 1, 15150h2 are desirably disposed diametrically opposed (180 degrees) on the same circumference.

Referring to Figure 97 and Figure 98, the structure of a photosensitive drum unit U3 will be described. Figure 97 (a) is a perspective view of the drum unit, as seen from the driving side, and Figure 97 (b) is a perspective view, as seen from the non-driving side. In addition, Figure 98 is a sectional view taken along S23-S23 of Figure 97 (a).

A drum flange 15151 mounted to the coupling 15150 is fixed to one end side of the photosensitive drum 107 (cylindrical drum 107a), so that a

transmission part 15150a is exposed. In addition, the drum flange 152 of the non-driving side is fixed to the other end side of the photosensitive drum 107 (cylindrical drum 107a). This fixing method is crimping, bonding, welding, or the like.

And, in the state where the driving side is supported by the bearing member 15157 and the non-driving side is supported by the drum supporting pin (unshown), the drum unit U3 is rotatably supported by the second frame 118. And, it is unified into the process cartridge by mounting the first frame unit 119 to the second frame unit 120 (Figure 94).

Designated by 15151c is a gear, and has a function of transmitting a rotational force received by the coupling 15150 from the drive shaft 180 to the developing roller 110. The gear 15151c is integrally molded with the flange 15151.

The drum unit U3 described in this embodiment comprises the coupling 15150, the photosensitive drum 107 (cylindrical drum 107a), and the drum flange 15151. The peripheral surface of the cylindrical drum 107a is coated with a photosensitive layer 107b. In addition, the drum unit comprises the photosensitive drum coated with the photosensitive layer 107b, and the coupling mounted to one end thereof. The structure of the coupling is not limited to the structure described in this embodiment. For example, it may have the

structure described hereinbefore as the embodiments of the coupling. In addition, it may be another structure if it has the structure in which the effects of the present invention are provided.

5 Here, as shown in Figure 100, the coupling 15150 is mounted so that it can incline in any direction relative to the axis L1 of the axis L2 thereof. Figures 100(a1)-(a5) are views as seen from the drive shaft 180, and Figures 100(b1)-(b5) are
10 perspective views thereof. Figures 100(b1)-(b5) is partly broken views of substantially the entirety of the coupling 15150, wherein a part of a flange 15151 is cut away for better illustration.

15 In Figures 100 (a1) (b1), the axis L2 is coaxially positioned relative to the axis L1. When the coupling 15150 is inclined upward from this state\$ It is in the state shown in Figures 100 (a2) (b2). As shown in this Figure, when the coupling 15150 inclines toward an opening 15151g A pin 15155 is moved along
20 the opening 15151g. As a result, the coupling 15150 is inclined about the axis AX perpendicular to the opening 15151g.

25 The coupling 15150 is inclined rightward in Figure 100 (a3) (b3). As shown in this Figure, when the coupling 15150 inclines in the orthogonal direction of the opening 15151g, it rotates in the opening 15151g. The pin 15155 rotates about the axis

line AY of the pin 15155.

The state where the coupling 15150 is inclined leftward and the state where it is inclined downward are shown in Figs. 100 (a4) (b4) and 100 (a5) (b5).
5 Since the description of the rotation axis AX, AY has been made in the foregoing, the description therefor is omitted for simplicity.

the rotation in the direction different from these inclining directions, for example, 45-degree
10 rotation shown in Figure 100 (a1), is provided by a combination of the rotations around the rotation axes AX, AY. In this manner, the axis L2 can be inclined in any directions relative to the axis L1.

The opening 15151g is extended in the
15 direction crossing with the projection direction of the pin 15155.

In addition, between the flange (rotational force receiving member) 15151 and the coupling 15150, a gap is provided as shown in the Figure. With this
20 structure, as has been described hereinbefore, the coupling 15150 is pivotable in all the directions.

More particularly, the transmitting surfaces (rotational force transmitting portions) 15151h (15151h1, 15151h2) are in the operative positions
25 relative to the pins 15155 (the rotational force transmitting portion). The pin 15155 is movable relative to the transmitting surface 15151h. The

transmitting surface 15151h and the pin 15155 are engaged or abutted to each other. To accomplish this motion, a gap is provided between the pin 15155 and the transmitting surface 15155h. By this, the coupling 15150 is pivotable relative to the axis L1 in all directions. In this manner, the coupling 15150 is mounted to the end of the photosensitive drum 107.

The axis L2 has been mentioned as being pivotable in any direction relative to the axis L1. However, the coupling 15150 does not necessarily need to be linearly pivotable to the predetermined angle over the 360-degree range. This is applied to all the couplings described as the embodiments in the foregoing.

In this embodiment, the opening 15151g is formed slightly overwidely in the circumferential direction. With this structure, when the axis L2 inclines relative to the axis L1, even if it is the case where it cannot incline to the predetermined angle linearly, the coupling 15150 can incline to the predetermined angle by rotating to a slight degree about the axis L2 in other words, the play of the opening 15151g in the rotational direction is selected properly in view of this, if necessary,.

In this manner, the coupling 15150 is pivotable in all the directions substantially. Therefore, the coupling 15150 is revolvable

(pivotable) over the full-circumference substantially relative to the flange 15151.

As has been described hereinbefore, (Figure 98), the spherical surface 15150i of the coupling 15150 contacts to the retaining portion (a part of recess) 15151i. Therefore, the center P2 of the spherical surface 15150i aligns with the rotation axis, and the coupling 15150 is mounted. More particularly, the axis L2 of the coupling 15150 is pivotable irrespective of the phase of the flange 15151.

In addition, in order for the coupling 15150 to engage with the drive shaft 180, the axis L2 is inclined toward the downstream with respect to the mounting direction of the cartridge B-2 relative to the axis L1 just before the engagement. More particularly, as shown in Figure 101, the axis L2 is inclined relative to the axis L1, so that the driven portion 15150a is the downstream with respect to the mounting direction X4. In Figures 101 (a) - (c), the position of the driven portion 15150a is downstream with respect to the mounting direction X4, in any case.

Figure 94 illustrates the state where the axis L2 is inclined relative to the axis L1. In addition, Figure 98 is a sectional view taken along S24-S24 of Figure 94. As shown in Figure 99, by the structure described heretofore, from the state of the axis L2 being inclined, it can change to the state of being

substantially parallel to the axis L1. In addition, the maximum possible inclination angle α_4 (Figure 99) between the axis L1 and the axis L2 is the angle at the time of inclining until the driven portion 15150a or the connecting portion 15150c contacts with the flange 15151 or the bearing member 15157. This inclination angle is the value required for engagement and disengagement relative to the drive shaft of the coupling at the time of mounting and demounting the cartridge relative to the apparatus main assembly.

Immediately before or simultaneously with the cartridge B being set at the predetermined position of the apparatus main assembly A, the coupling 15150 and the drive shaft 180 engage with each other. Referring to Figure 102 and Figure 103, the description will be made with respect to the engaging operation of this coupling 15150. Figure 102 is a perspective view which illustrates the major parts of the drive shaft and driving side of the cartridge. Figure 103 is a longitudinal sectional view, as seen from the lower part of the apparatus main assembly.

In the mounting process of the cartridge B, as shown in Figure 102, the cartridge B is mounted into the apparatus main assembly A in the direction (the direction of the arrow X4) substantially perpendicular to the axis L3. The axis L2 of the coupling 15150 inclines to the downstream with respect to the

mounting direction X4 relative to the axis L1
beforehand (pre-engagement angular position) (Figure
102 (a), Figure 103 (a)). By this inclination of the
coupling 15150, with respect to the direction of the
5 axis L1, the free end position 15150A1 is closer to
the photosensitive drum 107 than the shaft free-end
180b3 with respect to the direction of the axis L1. In
addition, the free end position 15150A2 is closer to
the pin 182 than the shaft free-end 180b3 with respect
10 to the direction of the axis L1 (Figure 103 (a)).

First, the free end position 15150A1 passes by
the drive shaft free-end 180b3. Thereafter, the
driving shaft receiving surface 150f of conical shape
or the driven projection 150d contacts to the free end
15 portion 180b of the drive shaft 180, or the rotational
force drive transmission pin 182. Here, the receiving
surface 150f and/or the projection 150d are the
contact portions of the cartridge side. In addition,
the free end portion 180b and/or the pin 182 are the
20 engaging portions of the main assembly side. And, in
response to the movement of the cartridge B, the
coupling 15150 is inclined so that the axis L2 becomes
substantially co-axial with the axis L1 (Figure 103
(c)). And, when the position of the cartridge B is
25 finally determined relative to the apparatus main
assembly A, the drive shaft 180 and the photosensitive
drum 107 are substantially co-axial. More particularly,

in the state of the contact portion of the cartridge side contacting with the engaging portion of the main assembly side, in response to the insertion toward the back side of the apparatus main assembly A of the cartridge B, the coupling 15150 is pivoted to the rotational force transmitting angular position from the pre-engagement angular position, so that the axis L2 becomes substantially co-axial with the axis L1. And, the coupling 15150 and the drive shaft 180 are engaged with each other (Figure 102 (b), Figure 103 (d)).

As has been described hereinbefore, the coupling 15150 is mounted for inclining motion relative to the axis L1. And, it can be engaged with the drive shaft 180 by the pivoting of the coupling 15150 corresponding to the mounting operation of the cartridge B.

In addition, similarly to Embodiment 1, the engaging operation of the coupling 15150 described above can be carried out regardless of the phase of the drive shaft 180 and the coupling 15150.

In this manner, according to the present embodiment, the coupling 15150 is mounted for revolving or whirling motion (swinging) around the axis L1 substantially. The motion illustrated in Figure 103 may include the whirling motion.

Referring to Figure 104, the description will

be made about the rotational force transmitting operation at the time of rotating the photosensitive drum 107. The drive shaft 180 rotates with the drum driving gear 181 in the direction of X8 in the Figure
5 by the rotational force received from the motor 186. The gear 181 is a helical gear and the diameter thereof is the approx. 80mm. And, the pin 182 integral with the drive shaft 180 contacts to any two of receiving surfaces 150e (four places) (rotational
10 force receiving portions) of the coupling 15150. And, the coupling 15150 rotates by the pin 182 pushing the receiving surface 150e. In addition, in the coupling 15150, the rotational force transmitting pin 15155 (coupling side engaging portion, rotational force
15 transmitting portion) contacts to the rotational force transmission surface (rotational force receiving member) 15151h 1, 15151h2. By this, the coupling 15150 is coupled, for transmission of driving force, with the photosensitive drum 107. Therefore, the
20 photosensitive drum 107 rotates through the flange 15151 by the rotation of the coupling 15150.

In addition, when the axis L1 and the axis L2 are deviated to a slight degree, the coupling 15150 inclines a little. By this, the coupling 15150 can
25 rotate without applying large load to the photosensitive drum 107 and the drive shaft 180. Therefore, at the time of assembling the drive shaft

180 and the photosensitive drum 107, no precise adjustment is necessary. Therefore, the manufacturing can be reduced.

Referring to Figure 105, the description will be made as to the dismounting operation of the coupling 15150 at the time of taking out the process cartridge B-2 from the apparatus main assembly A. Figure 105 is a longitudinal sectional view, as seen from the lower part of the apparatus main assembly. When the cartridge B is demounted from the apparatus main assembly A as shown in Figure 105, it is moved in the direction (the direction of the arrow X6) substantially perpendicular to the axis L3. First, similarly to embodiment 1, at the time of demounting the cartridge B-2, the drive transmission pin 182 of the drive shaft 180 is positioned in any two of standing-by portions 15150k1-15150k4 (Figure).

After the drive of the photosensitive drum 107 stops, the coupling 15150 takes the rotational force transmitting angular position, wherein the axis L2 is substantially co-axial with the axis L1. And, when the cartridge B moves toward the front side of the apparatus main assembly A (the dismounting direction X6), the photosensitive drum 107 is moved toward the front side. In response to this movement, shaft receiving surface 15150f or the projection 15150d in the upstream with respect to the dismounting direction

of the coupling 15150 contacts at least to the free end portion 180b of the drive shaft 180 (Figure 105a). And, the axis L2 begins (Figure 105 (b)) to incline upstream with respect to the dismounting direction X6.

5 This inclining direction is the same as the inclination of the coupling 15150 at the time of the mounting of the cartridge B. By the dismounting operation of this cartridge B, the cartridge B is moved while the upstream free end portion 15150 A3

10 with respect to the dismounting direction X6 contacts to the free end portion 180b. And, the coupling 15150 is inclined until the upstream free end portion 15150 A3 reaches to the drive shaft free-end 180b3 (Figure 105 (c)). The angular position of the coupling 15150

15 in this case is the disengaging angular position. And, in this state, the coupling 15150 is passed by the drive shaft free-end 180b3, contacting with the drive shaft free-end 180b3 (Figure 105 (d)). Thereafter, the cartridge B-2 is taken out of the apparatus main

20 assembly A.

As has been described hereinbefore, the coupling 15150 is mounted for pivoting motion relative to the axis L1. And, the coupling 15150 can be disengaged from the drive shaft 180 by the coupling

25 15150 pivoting correspondingly to the dismounting operation of the cartridge B-2.

The motion illustrated in Figure 105 may

include the whirling motion.

With the structure as described above, the coupling 15150 is integral part of the photosensitive drum as the photosensitive drum unit. Therefore, at the time of the assembling, handling is easy and the assembling property is improved.

In order to incline the axis L2 to the pre-engagement angular position immediately before the coupling 15150 engages with the drive shaft 180, any one of structures of the embodiment 3-embodiment 9 is usable.

In addition, in this embodiment, it has been described that the drum flange of the driving side is a separate member from the photosensitive drum. However, the present invention is not limited to such an example. In other words, the rotational force receiving portion may be directly provided on the cylindrical drum, not on the drum flange.

[Embodiment 18]

Referring to Figure 106, Figure 107, and Figure 108, the 18th embodiment of the present invention will be described.

The present embodiment is a modified example of the coupling described in Embodiment 17. The configurations of the drum flange and retaining member of the driving side differ in Embodiment 17. In any

case, the coupling is pivotable in the given direction
irrespective of the phase of the photosensitive drum.
In addition, the structure for mounting of the
photosensitive drum unit to the second frame as will
5 be described below is the same as that of the
foregoing embodiment, and therefore, the description
is omitted.

Figure 106 (a) and (b) illustrate a first
modified example of the photosensitive drum unit. In
10 Figure 106 (a) and (b), since the photosensitive drum
and the non-driving side drum flange are the same as
those of Embodiment 16, these are not illustrated.

More particularly, the coupling 16150 is
provided with a supporting portion 16150p of a ring
15 shape which is pierced by the pin 155. The edge lines
16150p1, 16150p2 of the peripheral part of the
supporting portion 16150p are equidistant from the
axis of the pin 155.

And, an inner periphery of the drum flange
20 (rotational force receiving member) 16151 constitutes
a spherical surface portion 16151i (recess). A center
of the spherical surface portion 16151i is disposed on
the axis of the pin 155. In addition, a slot 16151u is
provided and this is the hole which extends in the
25 direction of the axis L1. By the provision of this
hole, the pin 155 is not interfered when the axis L2
inclines.

In addition, a retaining member 16156 is provided between the driven portion 16150a and the supporting portion 16150p. And, the portion opposed to the supporting portion 16150p is provided with the spherical surface portion 16156a. Here, the spherical surface portion 16156a is concentric with the spherical surface portion 16151i. In addition, a slot 16156u is disposed so that it is continuous with the slot 16151u in the direction of the axis L1. Therefore, when the axis L1 pivots, the pin 155 can move the inside of the slots 16151u, 16156u.

And, the drum flange, the coupling, and the retaining member for these driving side structures are mounted to the photosensitive drum. By this, the photosensitive drum unit is constituted.

With the structure as described above, when the axis L2 is inclined, the edge lines 16150p1, 16150p2 of the supporting portion 16150p move along the spherical surface portion 16151i and the spherical surface portion 16156a. By this, similarly to the foregoing embodiment, the coupling 16150 can be inclined assuredly.

In this manner, the supporting portion 16150p is pivotable relative to the spherical surface portion 16151i that is, the suitable gap is provided between the flange 16151 and the coupling 16150, so that the coupling 16150 is swingable.

Therefore, the effects similar to the effects described in Embodiment 17 are provided.

Figure 107 (a) and (b) illustrate a second modified example of the photosensitive drum unit. In Figure 107 (a) and (b), since the photosensitive drum and the non-driving side drum flange are the same as those of Embodiment 17, the illustration is omitted.

More particularly, similarly to Embodiment 17, a coupling 17150 is provided with a spherical supporting portion 17150p which has an intersection between axis of the pin 155, and axis L2 as the center substantially.

A drum flange 17151 is provided with a conical portion 17151i contacted on the surface of the supporting portion 17150p (recess).

In addition, a retaining member 17156 is provided between the driven portion 17150a and the supporting portion 17150p. In addition, an edge line portion 17156a contacts with the surface of the supporting portion 17150p.

And, the structure (the drum flange, coupling, and retaining member) of this driving side is mounted to the photosensitive drum. By this, the photosensitive drum unit is constituted.

With the structure as described above, when the axis L2 inclines, the supporting portion 17150p becomes movable along the conical portion 17151i and

the edge line 17156a of retaining member. By this, the coupling 17150 can be inclined assuredly.

As described above, the supporting portion 17150p is pivotable (swingable) relative to the conical portion 17151i. Between the flange 17151 and the coupling 17150, a gap is provided in order to permit the pivoting of the coupling 17150. Therefore, the effects similar to the effects described in Embodiment 17 are provided.

Figure 108 (a) and (b) illustrate a third modified example of the photosensitive drum unit U7. The photosensitive drum and the non-driving side drum flange are the same as that of Embodiment 17 in the modified example of Figure 108 (a) and (b), and therefore, the illustration is omitted.

More particularly, they are disposed coaxially with the rotation axis of a pin 20155. In addition, a coupling 20150 has a flat surface portion 20150r perpendicular to the axis L2. In addition, it is provided with a semi-spherical supporting portion 20150p which has an intersection between axis of a pin 20155 and the axis L2 as the center substantially.

The flange 20151 is provided with the conical portion 20151i which has an apex 20151g on the axis thereof. The apex 20151g is contacted with the flat surface portion 20150r of the coupling.

In addition, a retaining member 20156 is

provided between the driven portion 20150a and the supporting portion 20150p. In addition, an edge line portion 20156a contacts with a surface of the supporting portion 20150p.

5 And, the structure (the drum flange, coupling, and retaining member) of this driving side is mounted to the photosensitive drum. By this, the photosensitive drum unit is constituted.

 With the structure as described above, even if
10 the axis L2 inclines, the coupling 20150 and the flange 20151 are always in contact to each other substantially at the one point. Therefore, the coupling 20150 can be inclined assuredly.

 As described above, the flat surface portion
15 20150r of the coupling is swingable relative to the conical portion 20151i. Between the flange 20151 and the coupling 20150, in order to permit the swinging of the coupling 17150, a gap is provided.

20 The effects described above can be provided by constituting the photosensitive drum unit in this manner.

 As means for inclining the coupling to the pre-engagement angular position, any one of the
25 structures of Embodiment 3 to the embodiment 9 is used.

[Embodiment 19]

Referring to Figure 109, Figure 110, and Figure 111, the 19th embodiment of the present invention will be described.

The point in which the present embodiment is different from Embodiment 1 is the mounting structure of the photosensitive drum, and rotational force transmission structure from the coupling to the photosensitive drum.

Figure 109 is a perspective view which illustrates a drum shaft and a coupling. Figure 111 is a perspective view of a second frame unit, as seen from the driving side. Figure 110 is a sectional view taken along S20-S20 of Figure 111.

In this embodiment, the photosensitive drum 107 is supported by a drum shaft 18153 extended from a driving side of a second frame 18118 to a non-driving side thereof. By this, a position of the photosensitive drum 107 can further accurately be determined. This will be described more in the detail.

The drum shaft (rotational force receiving member) 18153 supports a positioning hole 18151g, 18152g of flanges 18151 and 18152 at the opposite ends of the photosensitive drum 107. In addition, the drum shaft 18153 rotates integrally with the photosensitive drum 107 by a drive transmitting portion 18153c. In addition, the drum shaft 18153 is rotatably supported by the second frame 18118 through bearing members

18158 and 18159 in the neighborhood of the opposite ends thereof.

A free end portion 18153b of the drum shaft 18153 has the same as configuration as the
5 configuration described with respect to Embodiment 1. More particularly, the free end portion 18153b has a spherical surface and its drum bearing surface 150f of the coupling 150 is slidable along the spherical surface. By doing so, the axis L2 is pivotable in any
10 direction relative to the axis L1. In addition, the disengagement of the coupling 150 is prevented by the drum bearing member 18157. And, they are unified as the process cartridge by connecting a first frame unit (unshown) with the second frame 18118.

15 And, the rotational force is transmitted from the coupling 150 through a pin (rotational force receiving member) 18155 to the photosensitive drum 107. The pin 18155 is through the center of the free end portion (spherical surface) 18153 of the drum shaft.

20 In addition, the coupling 150 is prevented by the drum bearing member 18157 from disengagement.

The engagement and disengagement between the coupling and the apparatus main assembly in interrelation with the mounting and dismounting
25 operations of the cartridge are the same as that of Embodiment 1, and therefore, the description is omitted.

As for the structure for inclining the axis L2 toward the pre-engagement angular position, any one of the structures of the embodiment 3-embodiment 10 is usable.

5 In addition, the structure described with respect to Embodiment 1 as to the configuration at the free end of the drum shaft can be used.

 In addition, as has been described with respect to Embodiment 1 (Figure 31), the inclining
10 direction of the coupling relative to the cartridge is regulated by the drum bearing member. By this, the coupling can be more assuredly engaged with the drive shaft.

 The structure will not be limited, if the
15 rotational force receiving portion is provided to the end part of the photosensitive drum, and it rotates integrally with the photosensitive drum. For example, it may be provided on the drum shaft provided at the end part of the photosensitive drum (cylindrical drum)
20 as has been described with respect to Embodiment 1. Or, as has been described in this embodiment, it may be provided at the end part of the drum penetrating shaft which is through the photosensitive drum (cylindrical drum). Further alternatively, as has been described
25 with respect to Embodiment 17, it may be provided on the drum flange provided at the end part of the photosensitive drum (cylindrical drum).

The engagement (coupling) between the drive shaft and the coupling means the state where the coupling is abutted to or contacted to the drive shaft and/or the rotational force applying portion in addition, in addition, it means that when the drive shaft in addition, starts the rotation to the meaning, the coupling abuts to or contacts to the rotational force applying portion and the rotational force can be received from the drive shaft.

10 In the embodiments described above, as for alphabetical suffixes of the referential signs in the coupling, the same alphabetical suffixes are assigned to the members which have the corresponding functions.

Figure 112 is a perspective view of a photosensitive drum unit U according to an embodiment of the present invention.

In the Figure, the photosensitive drum 107 is provided with a helical gear 107c at the end which has the coupling 150. The helical gear 107c transmits the rotational force which the coupling 150 receives from the apparatus main assembly A to the developing roller (process means) 110. This structure is applied to the drum unit U3 shown in Figure 97.

In addition, the photosensitive drum 107 is provided with a gear 107d at the end opposite from the end which has the helical gear 107c. In this embodiment, this gear 107d is a helical gear. The gear

107d transmits the rotational force which the coupling 150 receives from the apparatus main assembly A to the transfer roller 104 (Figure 4) provided in the apparatus main assembly A.

5 In addition, the charging roller (process means) 108 contacts over the longitudinal range to the photosensitive drum 107. By this, the charging roller 108 rotates with the photosensitive drum 107. The transfer roller 104 may be contacted to the
10 photosensitive drum 107 over the longitudinal range thereof. By this, the transfer roller 104 may be rotated by the photosensitive drum 107. In this case, the gear for the rotation of the transfer roller 104 is unnecessary.

15 In addition, as shown in Figure 98, the photosensitive drum 107 is provided with a helical gear 15151c at the end which has the coupling 15150. The gear 15151c transmits the rotational force received by the coupling 15150 from the apparatus main
20 assembly A to the developing roller 110 and, with respect to the direction of the axis L1 of the photosensitive drum 107, the position in which the gear 15151c is provided, and the position in which the rotational force transmitting pin (rotational force
25 transmitting portion) 15150h1, h2 is provided overlap relative to each other (the overlapping position is shown by 3 in Figure 98).

In this manner, the gear 15151c and the rotational force transmitting portion overlap relative to each other with respect to the direction of the axis L1. By this, the force tending to deform the cartridge frame B1 is reduced. In addition, the length of the photosensitive drum 107 can be reduced.

The couplings of the embodiments described above can apply to this drum unit.

Each coupling described above has the following structure.

The coupling (for example, the couplings 150, 1550, 1750, and 1850, 3150, 4150, 5150, 6150, 7150, 8150, 1350, 1450, 11150, 12150, 12250, 12350, 13150, 14150, 15150, 16150, 17150, 20150, 21150, and so on) engages with the rotational force applying portion (for example, the pins 182, 1280, 1355, 1382, 9182 and so on) provided in the apparatus main assembly A. And, the coupling receives the rotational force for rotating the photosensitive drum 107. In addition, this each coupling is pivotable between the rotational force transmitting angular position for transmitting the rotational force for rotating the photosensitive drum 107 by engaging with the rotational force applying portion to the photosensitive drum 107, and the disengaging angular position inclined in the direction away from the axis L1 of the photosensitive drum 107 from the rotational force transmitting

angular position. In addition, at the time of demounting the cartridge B from the apparatus main assembly A in the direction substantially perpendicular to the axis L1, the coupling is pivoted
5 from the rotational force transmitting angular position to the disengaging angular position.

As described in the foregoing, the rotational force transmitting angular position and the disengaging angular portion may be the same or
10 equivalent to each other.

In addition, at the time of mounting the cartridge B to the apparatus main assembly A, the operation is as follows. The coupling is pivoted from the pre-engagement angular position to the rotational
15 force transmitting angular position in response to moving the cartridge B in the direction substantially perpendicular to the axis L1, so as to permit the part of the coupling (for example, the portion at the downstream free end position A1) positioned in the
20 downstream with respect to the direction in which the cartridge B is mounted to the apparatus main assembly A to circumvent the drive shaft. And, the coupling is positioned at the rotational force transmitting angular position.

25 The substantial perpendicularity has been explained hereinbefore.

The coupling member has a recess (for example

150z, 12150z, 12250z, 14150z 15150z, 21150z) in which
a rotational axis L2 the coupling member extends
through a center of the shape defining the recess. The
recess is over a free end of the driving shaft (for
5 example, 180, 1180, 1280 1380, 9180) in the state in
which the coupling member is positioned at the
rotational force transmitting angular position. The
rotating force receiving portion (for example rotating
force receiving surface 150e, 9150e, 12350e, 14150e,
10 15150e) is projected from a portion adjacent the
driving shaft in the direction perpendicular to the
axis L3 and is engageable or abutable to the rotating
force applying portion in the rotational direction of
the coupling. By doing so, the coupling receives the
15 rotating force from the driving shaft thereby to
rotate. When the process cartridge is dismounted from
the main assembly of the electrophotographic image
forming apparatus , the coupling member pivots from
the rotational force transmitting angular position to
20 the disengaging angular position so that part
(upstream end portion 150A3, 1750A3, 14150A3, 15150A3
with respect to the dismounting direction) of the
coupling member circumvents the driving shaft in
response to movement of the process cartridge in the
25 direction substantially perpendicular to the axis of
the electrophotographic photosensitive drum. By doing
so, the coupling is disengaged from the driving shaft.

A plurality of such rotational force receiving portions are provided on a phantom circle C1 (Figure 8, (d) , Figure 95 (d)) having a center O (Figures 8, (d) , Figure 95 (d)) on the rotational axis of the coupling member at positions substantially diametrically opposite to each other.

The recess of the coupling has an expanding portion (for example, Figures 8, 29, 33, 34, 36, 47, 51, 54, 60, 63, 69, 72, 82, 83, 90, 91, 92, 93, 106, 107 108) . A plurality of the rotational force receiving portions are provided at regular intervals along a rotational direction of the coupling member. The rotating force applying portion (for example, 182a, 182b) is projected at each of two positions and is extended in the direction perpendicular to the axis of the driving shaft. One of the rotating force receiving portions is engaged to one of the two rotating force applying portions. The other one of the rotating force receiving portions which is opposed to the one of the rotating force receiving portion is engaged to the other one of the two rotating force applying portions. By doing so, the coupling receives the rotating force from the driving shaft thereby to rotate. With such a structure, the rotating force can be transmitted to the photosensitive drum by the coupling.

The expanding portion has a conical shape. The conical shape has an apex on the rotational axis of

the coupling member , and in the state in which
coupling member is positioned at the rotational force
transmitting angular position, the apex is opposed to
the free end of the driving shaft. The coupling member
5 is over the free end of the driving shaft when the
rotational force is transmitted to the coupling member.
With such a structure, the coupling can engage
(connect) with the driving shaft projected in the main
assembly of the apparatus with overlapping with
10 respect to the direction of axis L2. Therefore, the
coupling can engage with the driving shaft with
stability.

The free end portion of the coupling covers the
free end of the driving shaft. Therefore, the coupling
15 may be easily disengaged from the driving shaft. The
coupling can receive the rotating force with high
accuracy from the driving shaft.

The coupling having the expanding portion and
therefore the driving shaft can be cylindrical.
20 Because of this, the machining of the driving shaft is
easy.

The coupling has the expanding portion of a
conical shape, so that above-described effects can be
enhanced.

25 When the coupling is in the rotational force
transmitting angular position, the axis L2 and the
axis L1 are substantially coaxial. In the state in

which coupling member is positioned at the disengaging angular position, the rotational axis of the coupling member is inclined relative to the axis of the electrophotographic photosensitive drum so as to permit an upstream portion of the coupling member passes by the free end of the driving shaft in a removing direction in which the process cartridge is dismounted from the main assembly of the electrophotographic image forming apparatus. The coupling member includes a rotating force transmitting portion (for example, 150h, 1550h, 9150h, 14150h, 15150h) for transmitting the rotating force to the electrophotographic photosensitive drum, and a connecting portion (for example, 7150c between the rotating force receiving portion and the rotating force transmitting portion, wherein the rotating force receiving portion, the connecting portion, the rotating force transmitting portion are arranged along the rotational axis direction. When the process cartridge is moved in the direction substantially perpendicular to the driving shaft, the pre-engagement angular position is provided by the connecting portion contacting a fixed portion (guide rib (contact portion) 7130R1a) provided in the main assembly of the electrophotographic image forming apparatus.

The cartridge B comprises a maintaining member (locking member 3159, urging member 4159a, 4159b,

locking member 5157k, magnet member 8159) for
maintaining the coupling member at the pre-engagement
angular position, wherein the coupling member is
maintained at the pre-engagement angular position by a
5 force exerted by the maintaining member. The coupling
is positioned at the pre-engagement angular position
by the force of the maintaining member. The
maintaining member may be an elastic member (urging
member 4159a, 4159b) . By the elastic force of the
10 elastic member, the coupling is maintained at the
engagement angle position. The maintaining member may
be a friction member (locking member 3159). By the
frictional force of the friction member, the coupling
is maintained at the engagement angle position. The
15 maintaining member may be a locking member (locking
member 5157k) . The maintaining member may be a
magnetic member (portion 8159) provided on the
coupling. By the magnetic force of the magnetic member,
the coupling is maintained at the engagement angle
20 position.

The rotating force receiving portion is engaged
with the rotating force applying portion which is
rotatable integrally with the driving shaft. The
rotating force receiving portion is engageable to the
25 rotating force applying portion integrally rotatable
with the driving shaft, wherein when the rotating
force receiving portion receives the driving force for

rotating the coupling member , and the rotating force receiving portion is inclined in a direction to receive a force toward the driving shaft. By the attracting force, the coupling is assured to contact the free end of the driving shaft. Then, the position of the coupling with respect to the direction of axis L2 relative to the driving shaft. When the photosensitive drum 107 is also attracted, the position of the photosensitive drum 107 is determined relative to the main assembly of the apparatus with respect to the direction of the axis L1. The pulling force may be properly set by one skilled in the art.

The coupling member is provided to an end of the electrophotographic photosensitive drum and is capable of tilting relative to the axis of the electrophotographic photosensitive drum substantially in all directions. By doing so, the coupling can pivot smoothly between the pre-engagement angular position and the rotational force transmitting angular position and between the rotational force transmitting angular position and the disengaging angular position.

Substantially all directions is intended to mean that coupling can pivot to the rotational force transmitting angular position irrespective of the phase at which the rotating force applying portion stops.

In addition, the coupling can pivot to the

disengaging angular position irrespective of the phase at which the rotating force applying portion stops.

A gap is provided between the rotating force transmitting portion (for example, 150h, 1550h, 9150h, 14150h, 15150h) and the rotating force receiving member for example, pin 155, 1355, 9155, 13155, 15155, 15151h) so that coupling member is capable of tilting relative to the axis of the electrophotographic photosensitive drum substantially in all directions, wherein the rotating force transmitting portion is provided at an end of the electrophotographic photosensitive drum and is movable relative to the rotating force receiving member, and the rotating force transmitting portion and the rotating force receiving member are engageable to each other in a rotational direction of the coupling member. The coupling is mounted to the end of the drum in this manner. The coupling is capable of inclination substantially in all directions relative to the axis L1.

The main assembly of the electrophotographic image forming apparatus includes an urging member (for example, slider 1131) movable between an urging position and a retracted position retracted from the urging position. When the process cartridge is mounted to the main assembly of the electrophotographic image forming apparatus, the coupling member moves to the

pre-engagement angular position by being urged by an elastic force of the urging member restoring to the urging position after being temporarily retracted to the retracted position by being contacted by the process cartridge. With this structure, even if the connecting portion is retarded by friction, the coupling can be assuredly pivoted to the pre-engagement angular position.

The photosensitive drum unit comprises the following structures. The photosensitive drum unit (U, U1, U3, U7, U13) is mountable to and dismountable from the main assembly of the electrophotographic image forming apparatus in a direction substantial perpendicular with an axial direction of the driving shaft. The drum unit has an electrophotographic photosensitive drum having a photosensitive layer (107b) at a peripheral surface thereof, the electrophotographic photosensitive drum being rotatable about an axis thereof. It also includes a coupling for engagement with the rotating force applying portion and for receiving the rotating force for rotating the photosensitive drum 107. The coupling may have the structures described in the foregoing.

The drum unit is mounted into the cartridge. By the cartridge being mounted to the main assembly of the apparatus, the drum unit may be mounted to the main assembly of the apparatus.

The cartridge (B, B2) has the following structures.

The cartridge is mountable to and dismountable from the main assembly of the apparatus in the direction substantial perpendicular to the axial direction of the driving shaft. The cartridge comprises a drum having a photosensitive layer (107b) at a peripheral surface thereof, the electrophotographic photosensitive drum being rotatable about an axis thereof. It further comprises process means actable on the photosensitive drum 107 (for example, cleaning blade 117a, charging roller 108, and developing roller 100) . It further comprises the coupling for receiving the rotating force for rotating the drum 107 through engagement with the rotating force applying portion. The coupling may have the structures described in the foregoing.

The electrophotographic image forming apparatus can be loaded by the drum unit.

The electrophotographic image forming apparatus can be loaded by the process cartridge.

The axis L1 is an axis of rotation of the photosensitive drum.

The axis L2 is an axis of rotation of the coupling.

The axis L3 is an axis of rotation of the driving shaft.

The whirling motion is not a motion with which the coupling itself rotates about the axis L2, but the inclined axis L2 rotates about the axis L1 of the photosensitive drum, although the whirling here does not preclude the rotation of the coupling per se about the axis L2 of the coupling 150.

[Other embodiments]

The mounting-and-demounting path extends in slanted or non-slanted up-down direction relative to the drive shaft of the apparatus main assembly in the embodiment described above. However, the present invention is not limited to such examples. The embodiments can suitably be applied to the process cartridge which can be mount and demounted in the direction perpendicular to the drive shaft depending on the structure of the apparatus main assembly, for example.

In addition, in the embodiment described above, although the mounting path is rectilinear relative to the apparatus main assembly, the present invention is not limited to such an example. For example, the mounting path may be a combination of the straight lines, or it may be a curvilinear path.

In addition, the cartridges of the embodiment described above form the monochrome image. However, the embodiments described above can suitably be applied to the cartridges for forming the images (for example,

two color images, three color images, or full-color and so on) of the plural colors by a plurality of developing devices.

In addition, the process cartridge described above includes an electrophotographic photosensitive member and the at least one process means, for example. Therefore, the process cartridge may contain the photosensitive drum and the charging means as the process means integrally. The process cartridge may contain the photosensitive drum and the developing means as the process means in unification. The process cartridge may contain the photosensitive drum and the cleaning means as the process means integrally. Further, the process cartridge may contain the photosensitive drum and the two process means or more integrally.

In addition, the process cartridge is mount and demounted by a user relative to the apparatus main assembly. Therefore, the maintenance of the apparatus main assembly is in effect carried out by the user. According to the embodiments described above, relative to the apparatus main assembly which is not provided with the mechanism for moving the main assembly side drum coupling member for transmitting the rotational force to the photosensitive drum in the axial direction thereof, the process cartridge is detachably mountable in the direction substantially perpendicular to the axis of the drive shaft. And, the photosensitive

drum can be rotated smoothly. In addition, according to the embodiment described above, the process cartridge can be demounted from the main assembly of the electrophotographic image forming device provided with the drive shaft in the direction substantially perpendicular to the axis of the drive shaft.

In addition, according to the embodiment described above, the process cartridge can be mounted to the main assembly of the electrophotographic image forming device provided with the drive shaft in the direction substantially perpendicular to the axis of the drive shaft. In addition, according to the embodiment described above, the process cartridge is mountable and demountable in the direction substantially perpendicular to the axis of the drive shaft relative to the main assembly of the electrophotographic image forming device provided with the drive shaft.

In addition, according to the coupling described above, even if it does not make the driving gear provided in the main assembly move in the axial direction thereof, they are mountable and demountable relative to the apparatus main assembly by the movement of the process cartridge in the direction substantially perpendicular to the axis of the drive shaft.

In addition, according to the embodiment

described above, in the drive connecting portion between the main assembly and the cartridge, the photosensitive drum can rotate smoothly as compared with the case of the engagement between gears.

5 In addition, according to the embodiment described above, the process cartridge is detachably mountable in the direction substantially perpendicular to the axis of the drive shaft provided in the main assembly, and, simultaneously, the photosensitive drum
10 can rotate smoothly

 In addition, according to the embodiment described above, the process cartridge is detachably mountable in the direction substantially perpendicular to the axis of the drive shaft provided in the main
15 assembly, and, simultaneously, the smooth rotation of the photosensitive drum can be carried out.

[INDUSTRIAL APPLICABILITY]

 As has been described hereinbefore, in the
20 present invention, the axis of the drum coupling member can take the different angular positions relative to the axis of the photosensitive drum. The drum coupling member can be engaged with the drive shaft in the direction substantially perpendicular to
25 the axis of the drive shaft provided in the main assembly by this structure. In addition, the drum coupling member can be disengaged from the drive shaft

in the direction substantially perpendicular to the axis of the drive shaft. The present invention can be applied to the process cartridge, the electrophotographic photosensitive member drum unit, 5 the rotational force transmitting portion (drum coupling member), and the electrophotographic image forming device.

While the invention has been described with reference to the structures disclosed herein, it is 10 not confined to the details set forth, and this application is intended to cover such modification or changes as may come within the purposes of the improvements or the scope of the following claims.

CLAIMS

1. A coupling member rotatable about a coupling axis by a rotational force received from a main assembly engaging portion including a driving shaft and a rotational force applying portion provided on the driving shaft to rotate an electrophotographic photosensitive drum, wherein said electrophotographic photosensitive drum is dismountable from the main assembly in a direction substantially perpendicular to an axial direction of the driving shaft, said process cartridge comprising:

a rotational force receiving portion engageable with the rotational force applying portion to receive the rotational force from the main assembly engaging portion; and

a rotational force transmitting portion for transmitting the rotational force to said electrophotographic photosensitive drum through said rotational force receiving portion,

wherein said coupling member is capable of pivoting such that a rotational force receiving portion side of said coupling axis is upstream of a rotational force transmitting portion side of the axis with respect to the dismounting direction, and said coupling member is disengageable from the main assembly engaging portion by the pivoting.

2. A coupling member according to Claim 1, wherein said coupling member disengages from the main assembly engaging portion by further movement, in the dismounting direction, of said electrophotographic photosensitive drum.

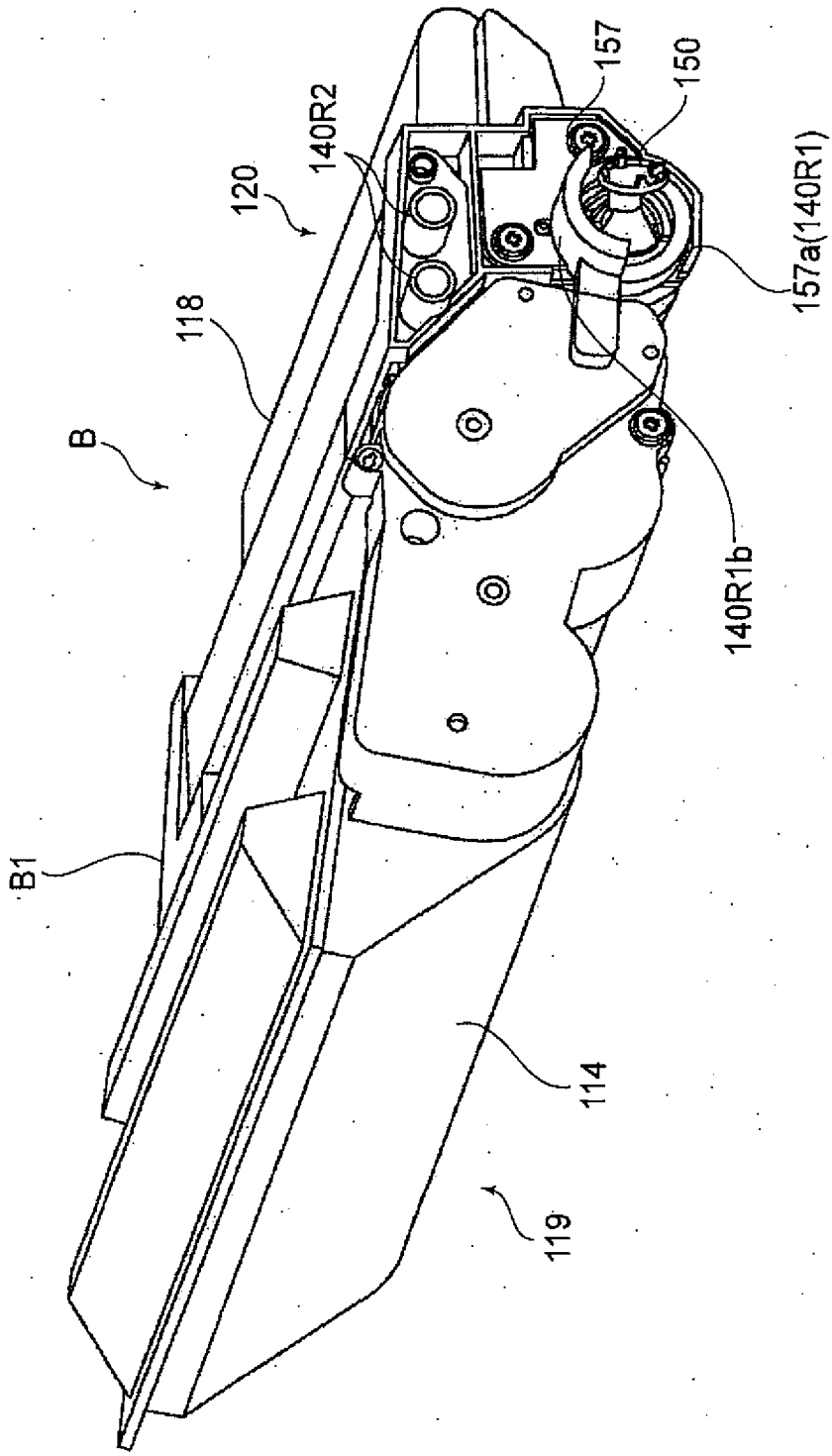


FIG.2

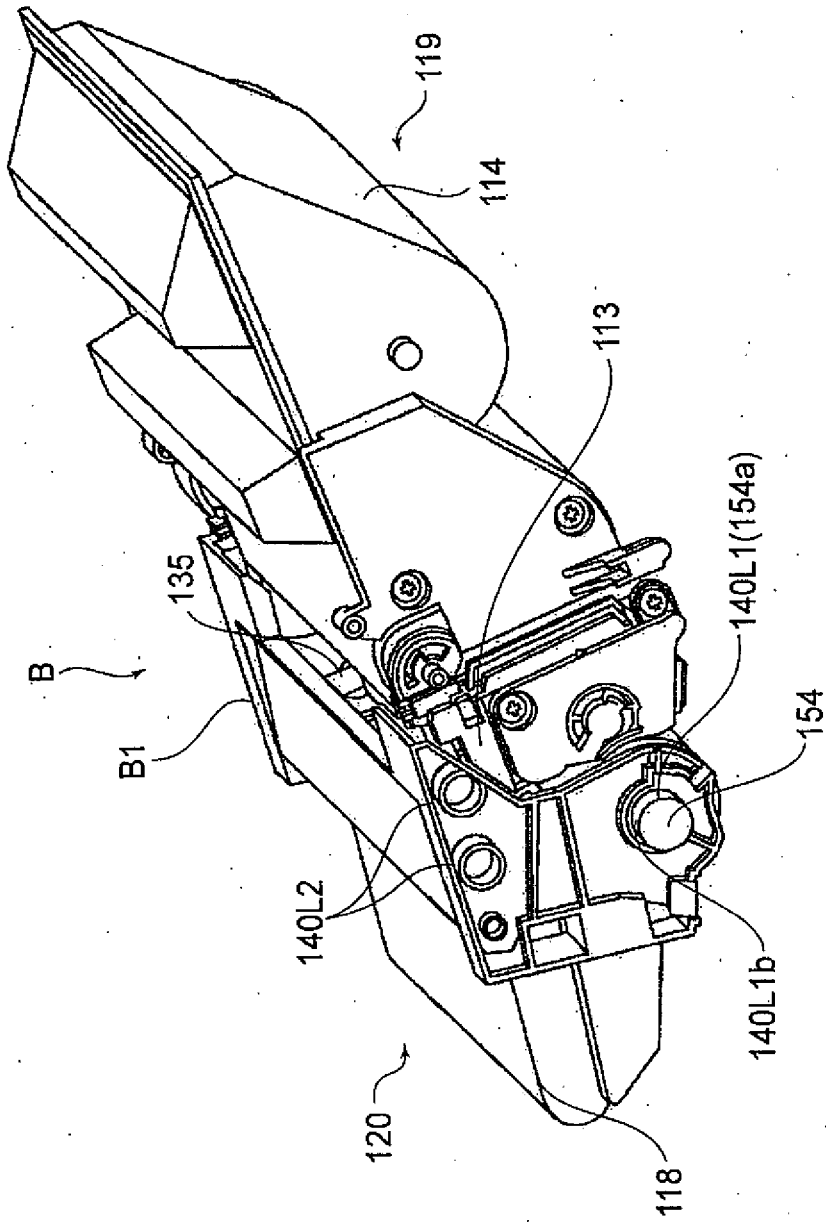


FIG. 3

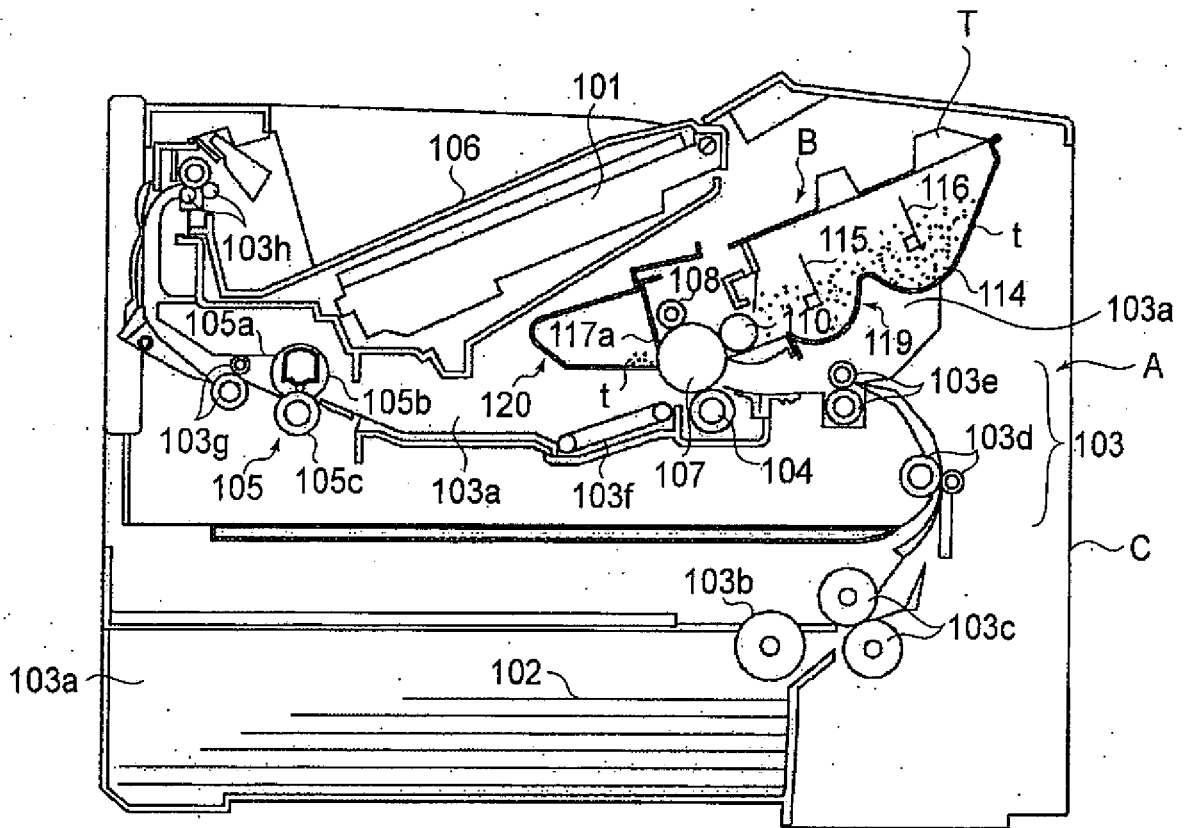
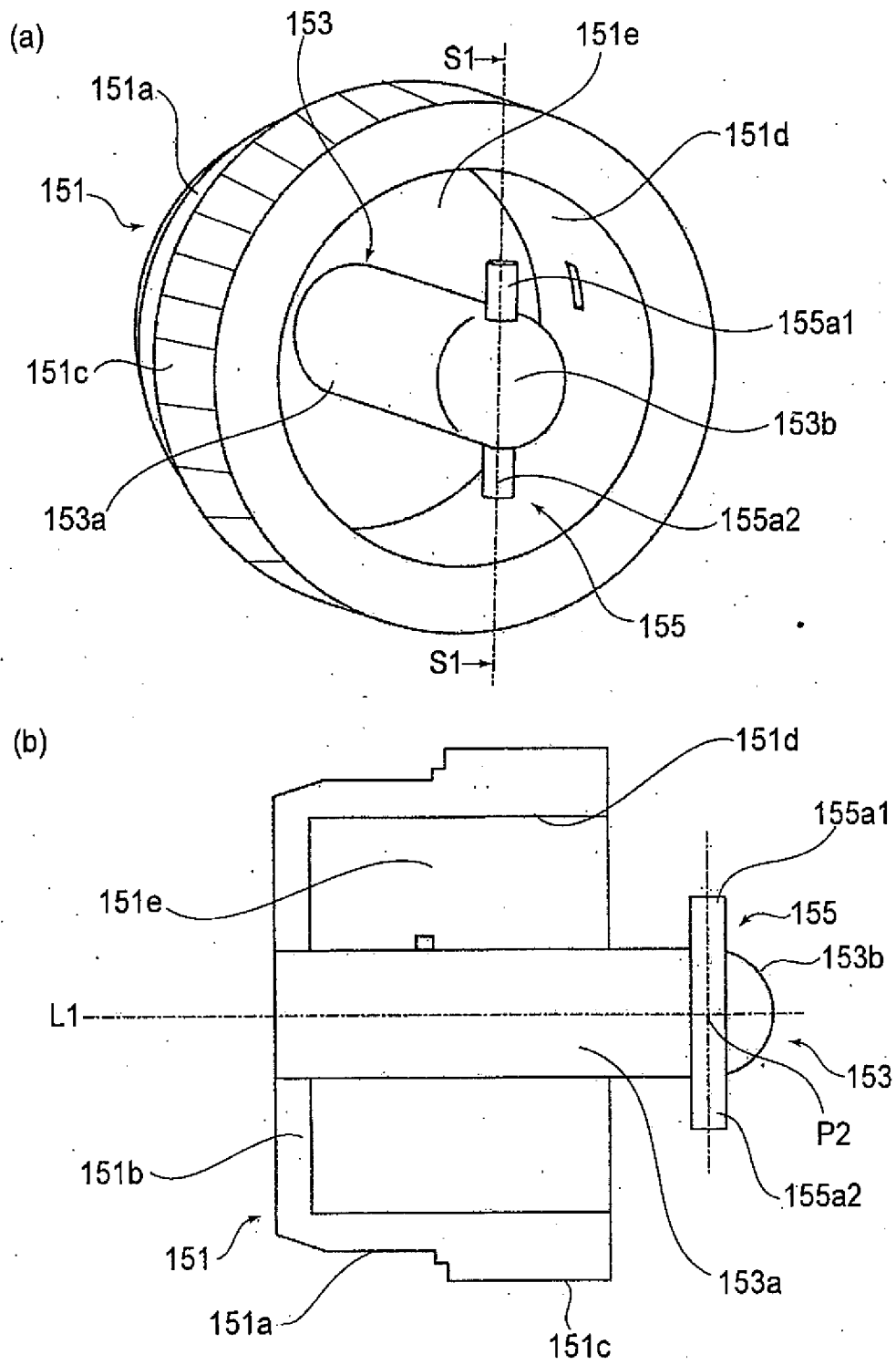


FIG. 4



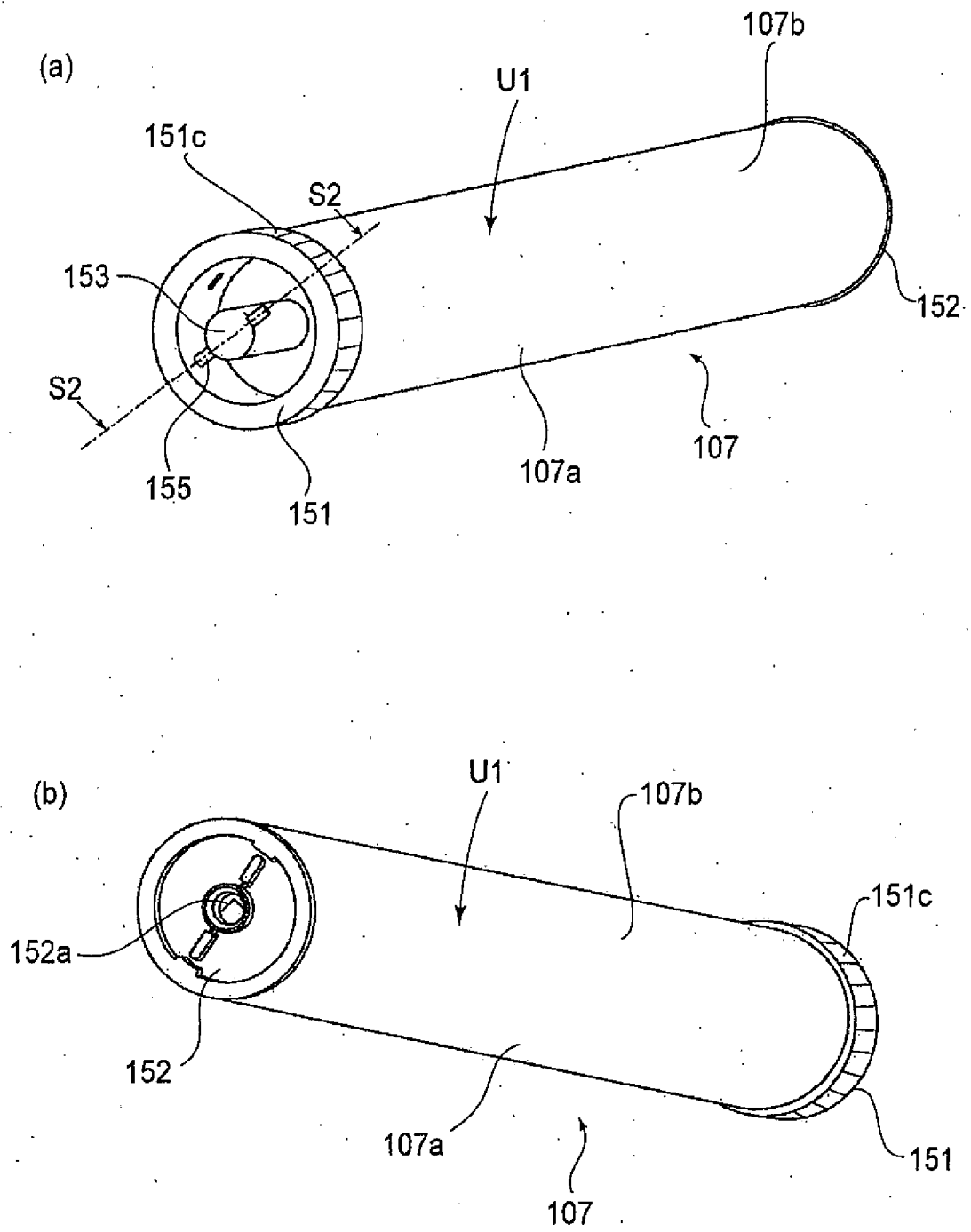


FIG. 6

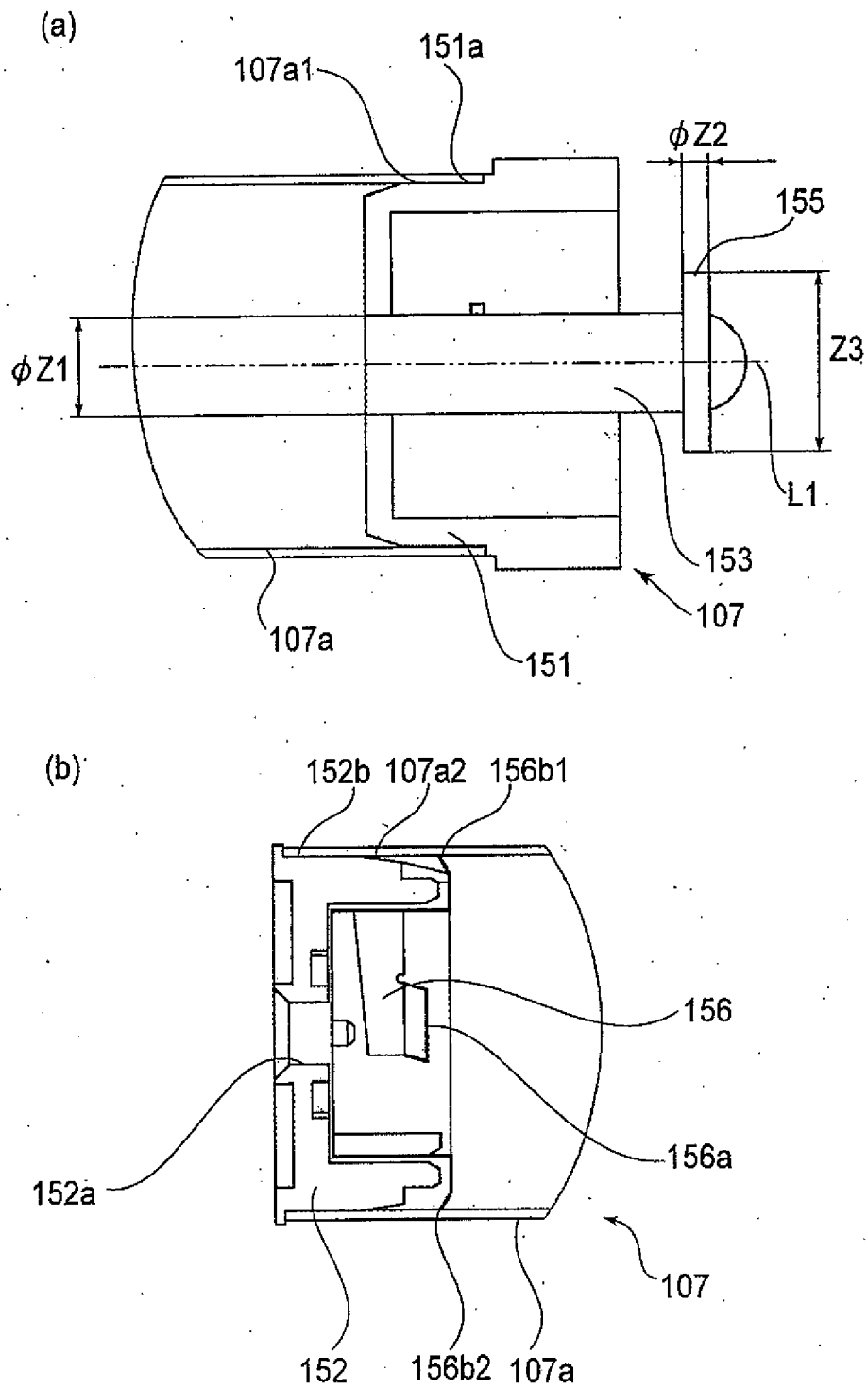
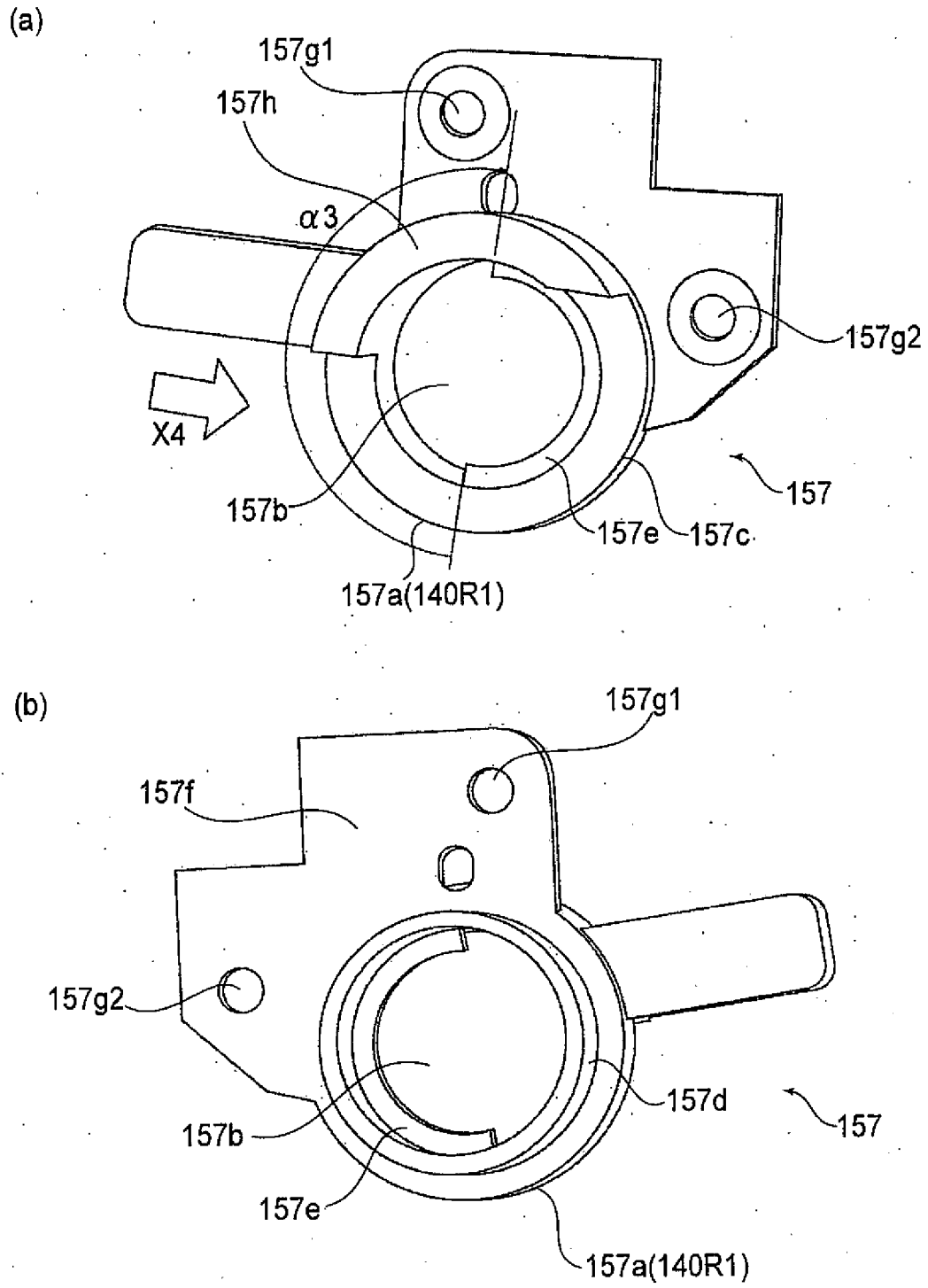


FIG. 7

**FIG. 9**

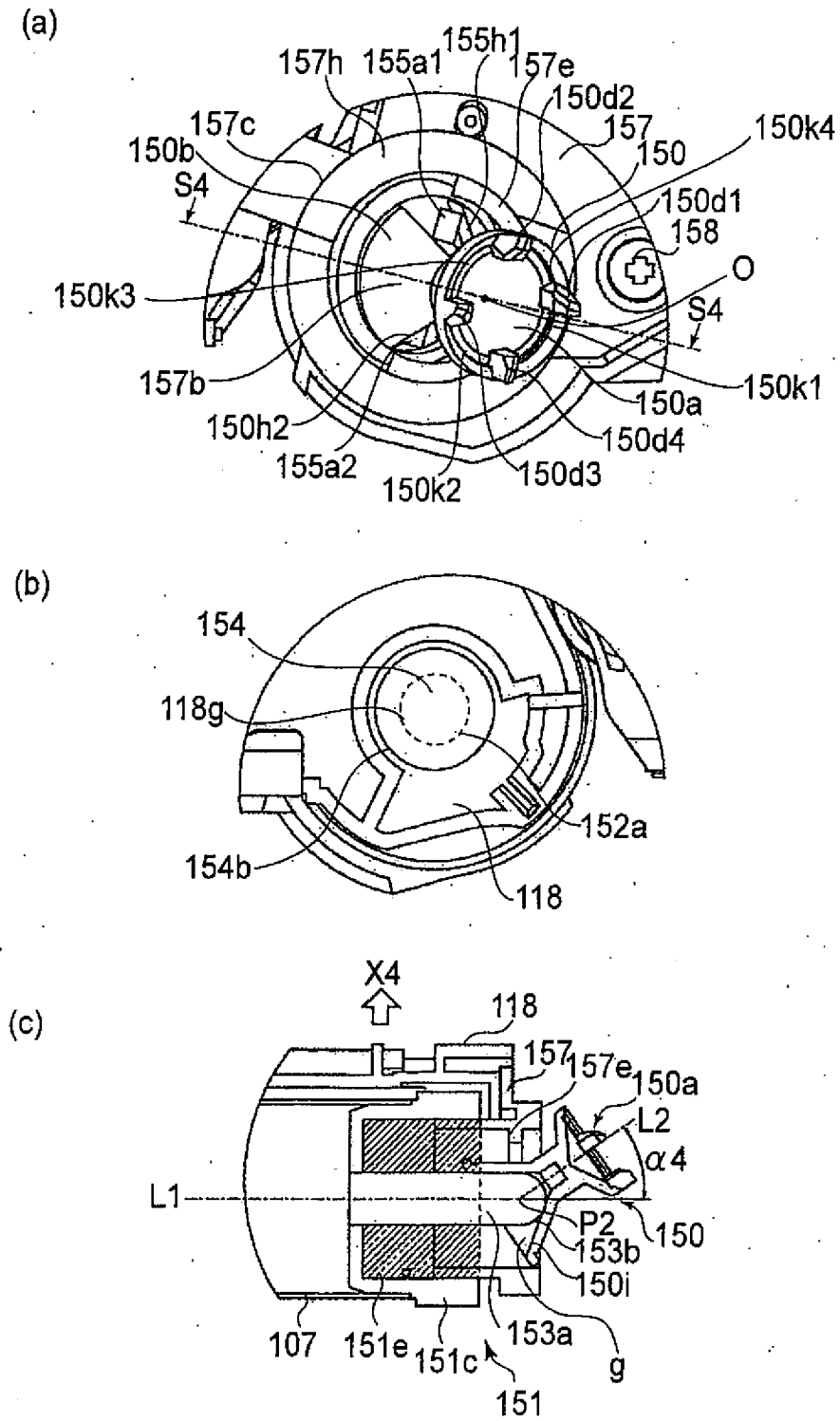


FIG.10

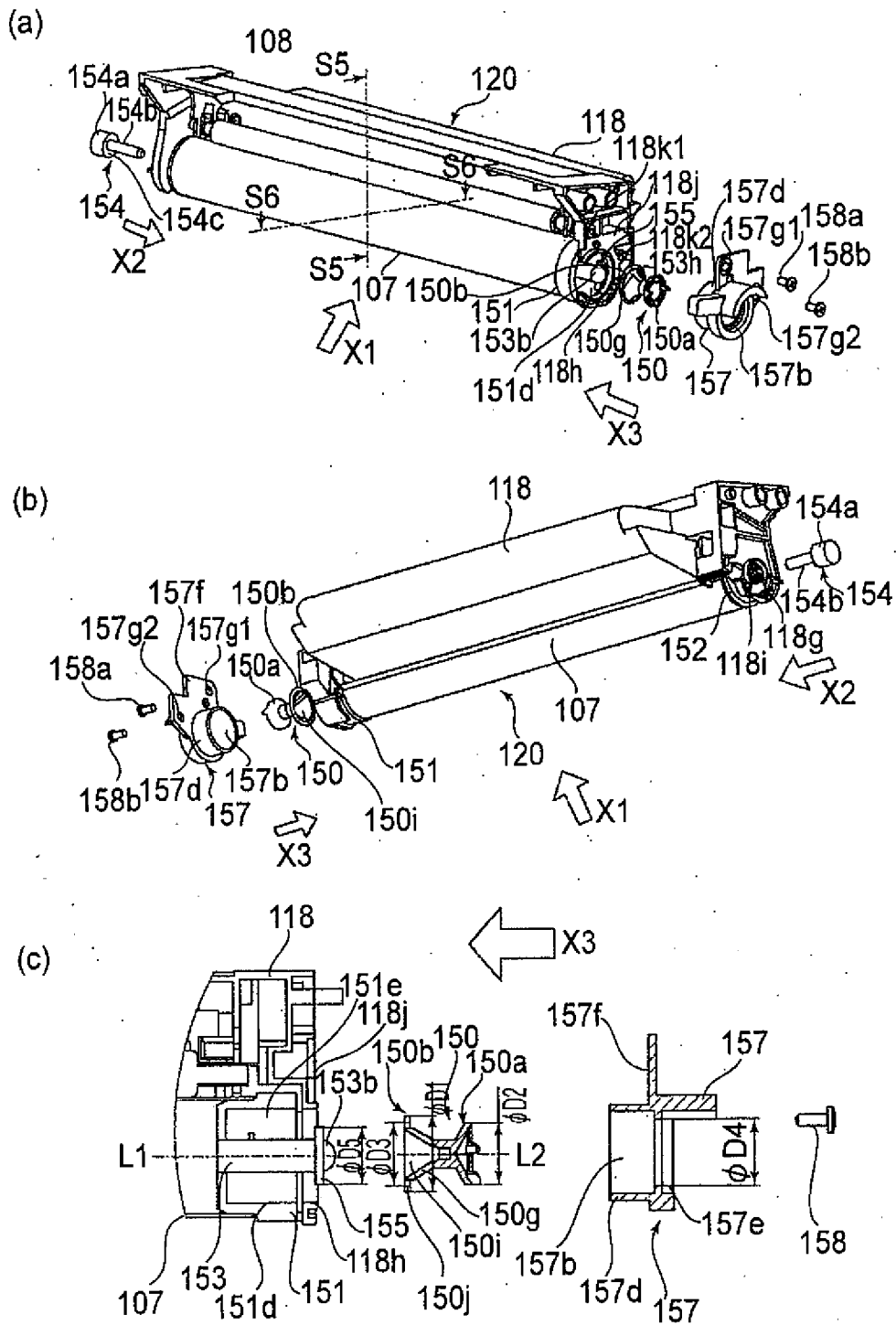


FIG.11

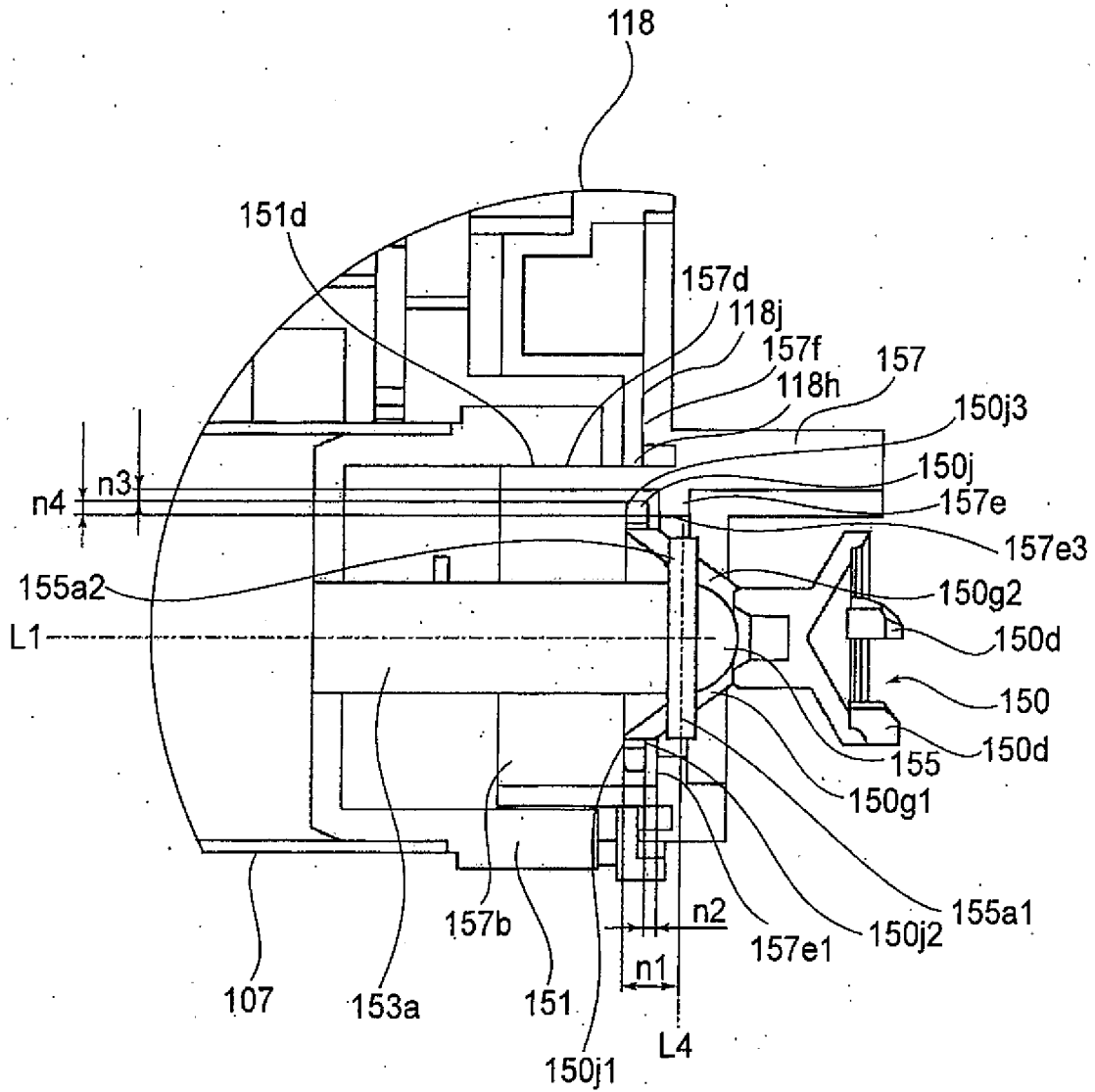


FIG.12

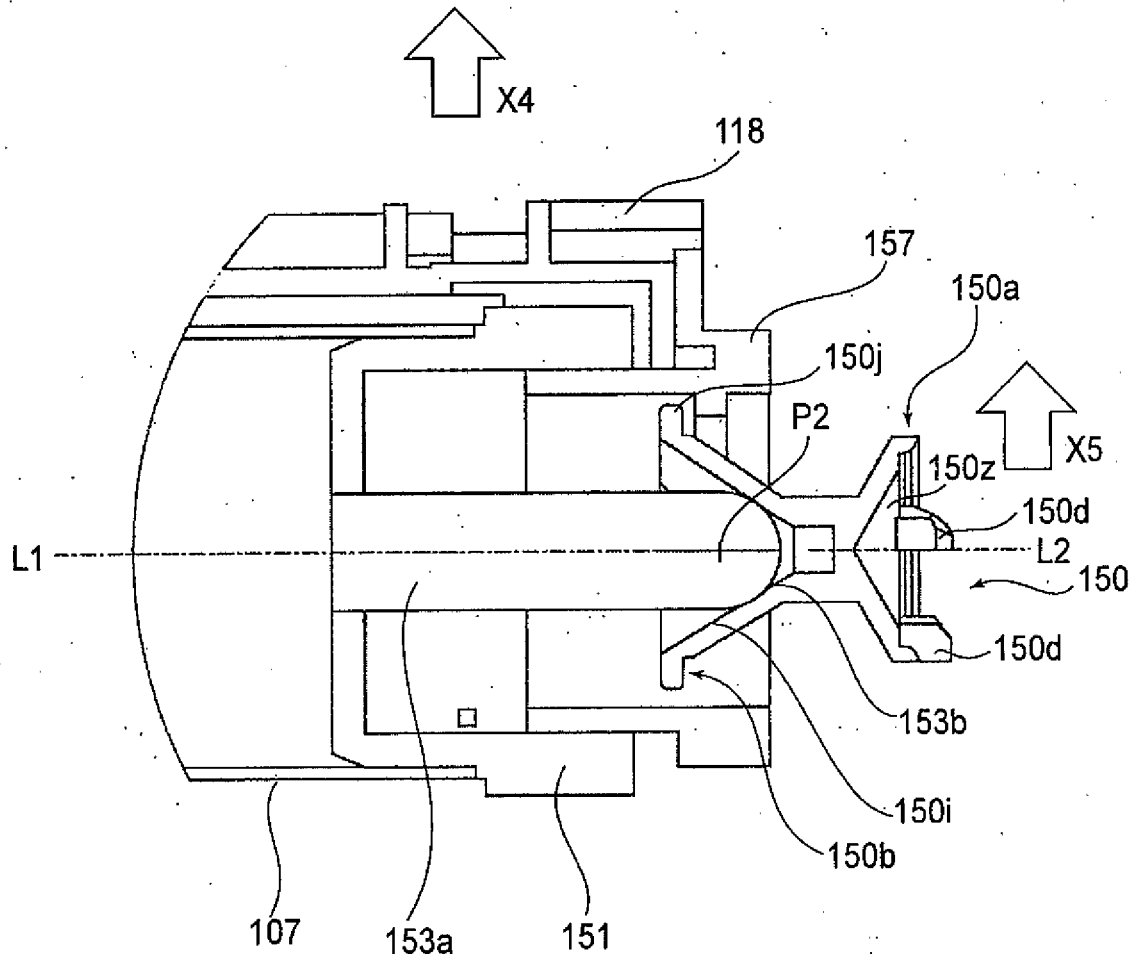


FIG. 13

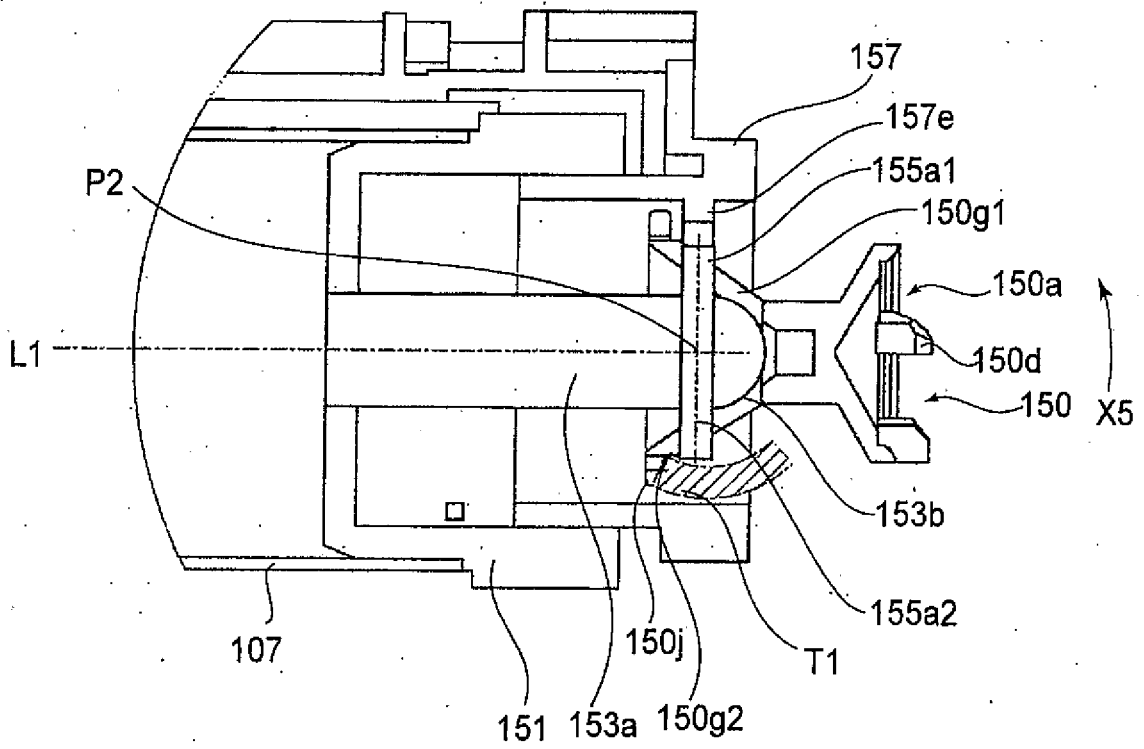


FIG. 14

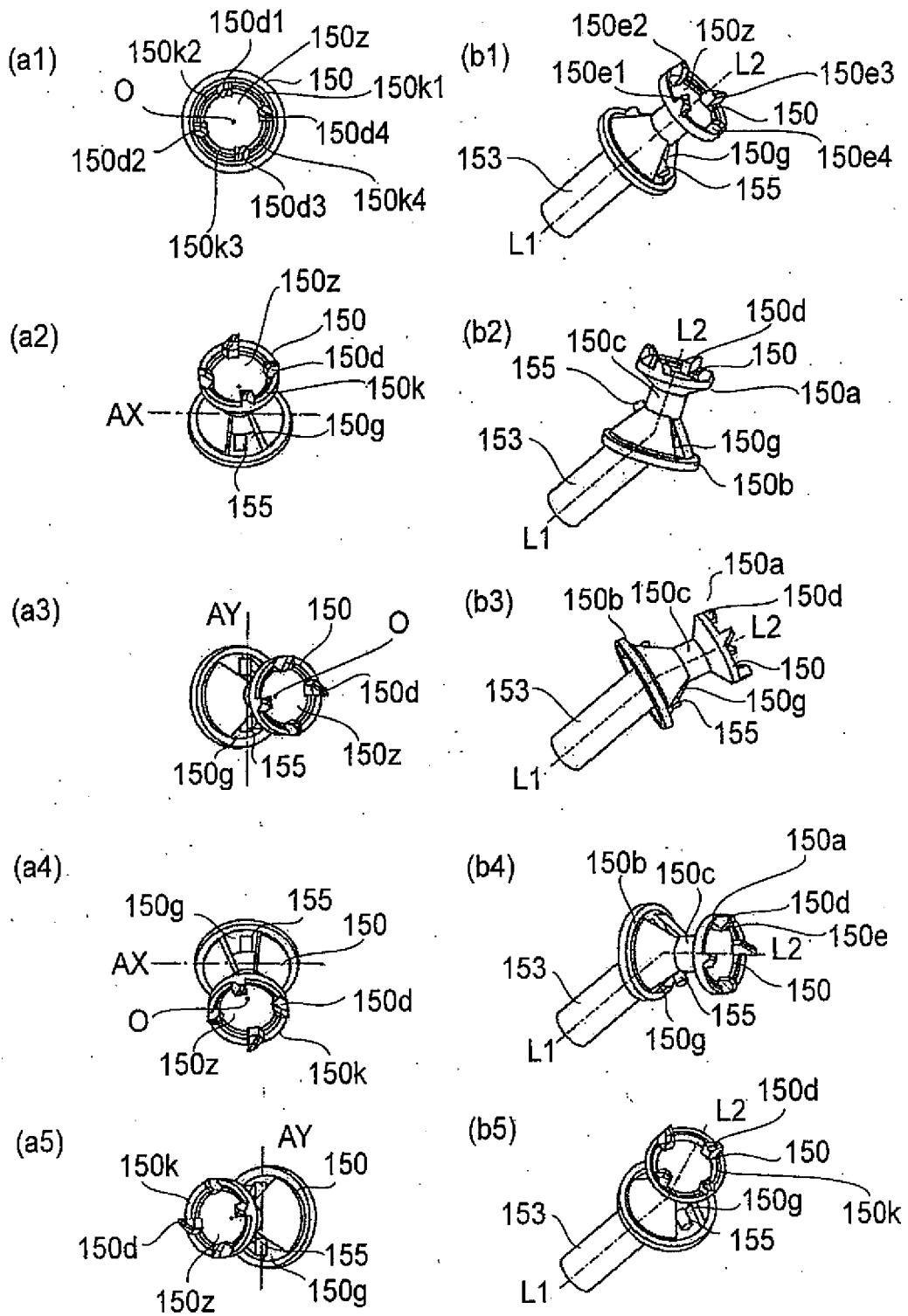


FIG.15

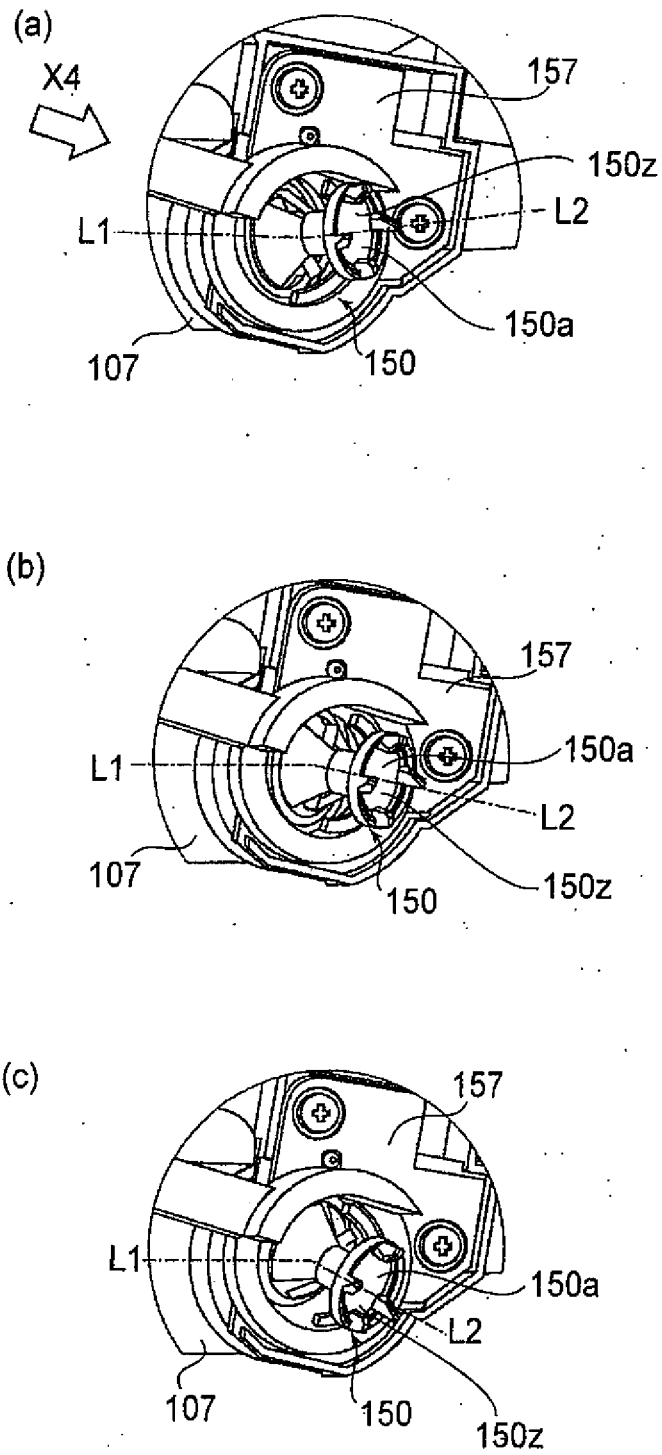


FIG.16

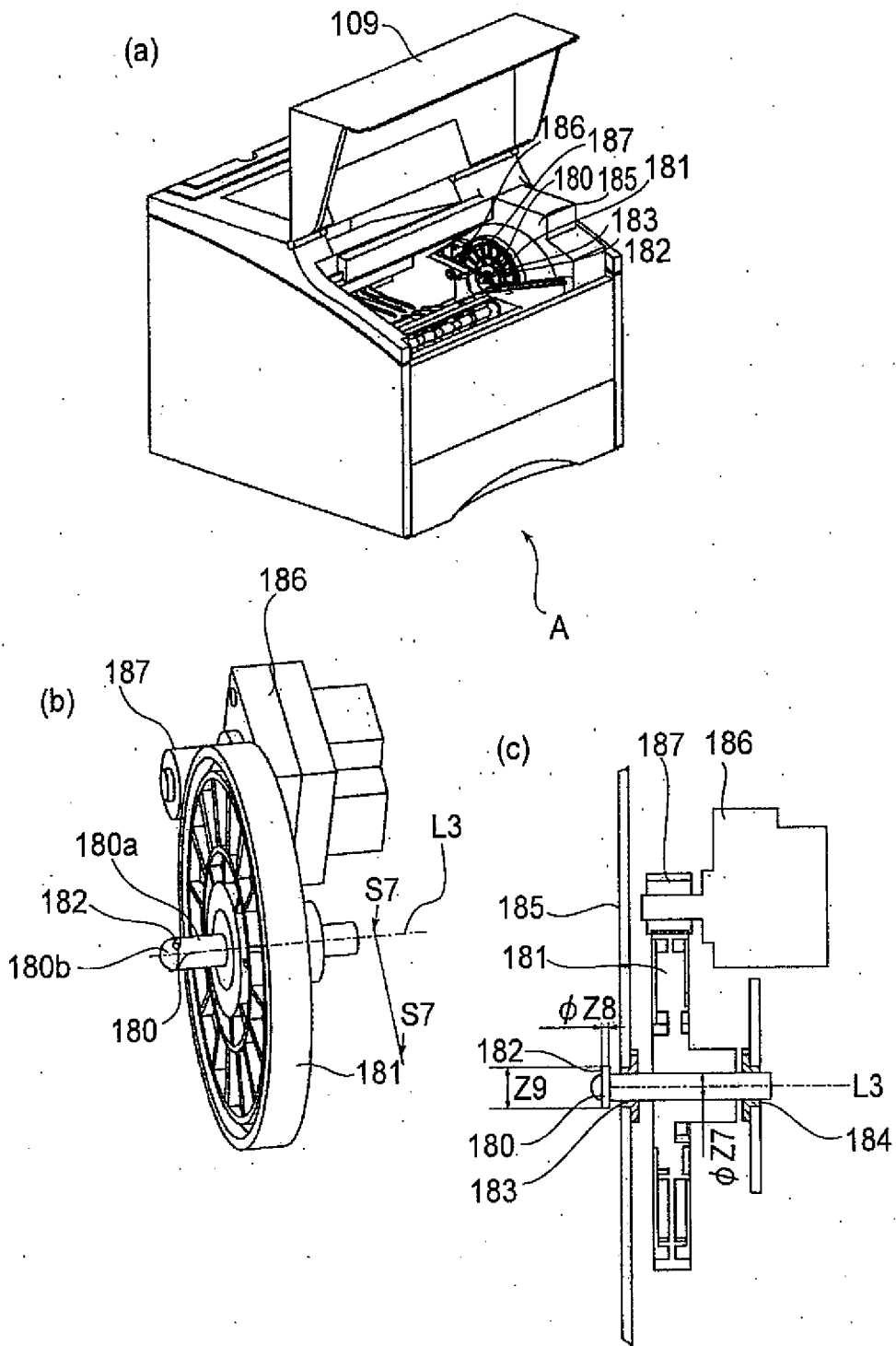


FIG.17

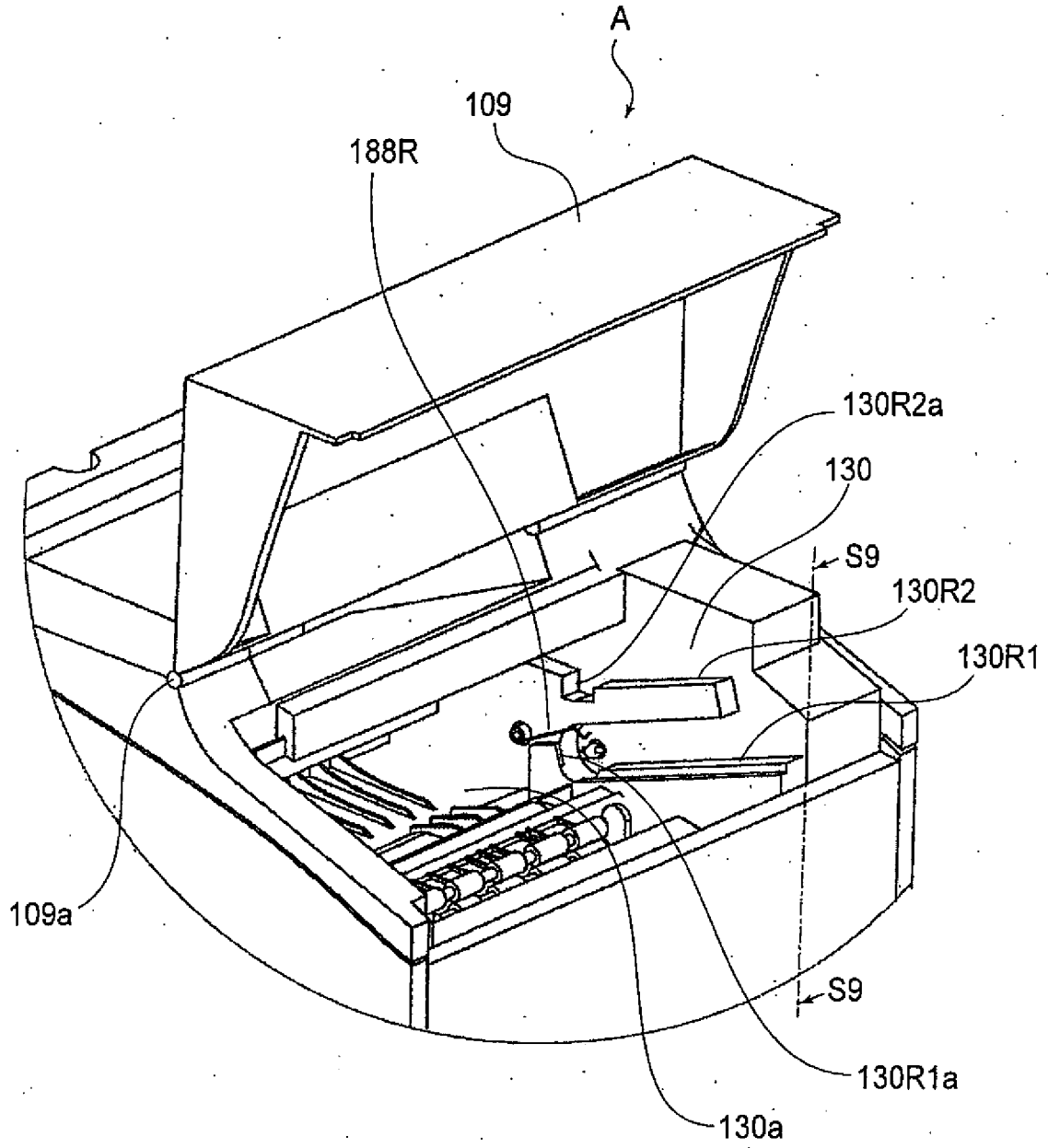


FIG.18

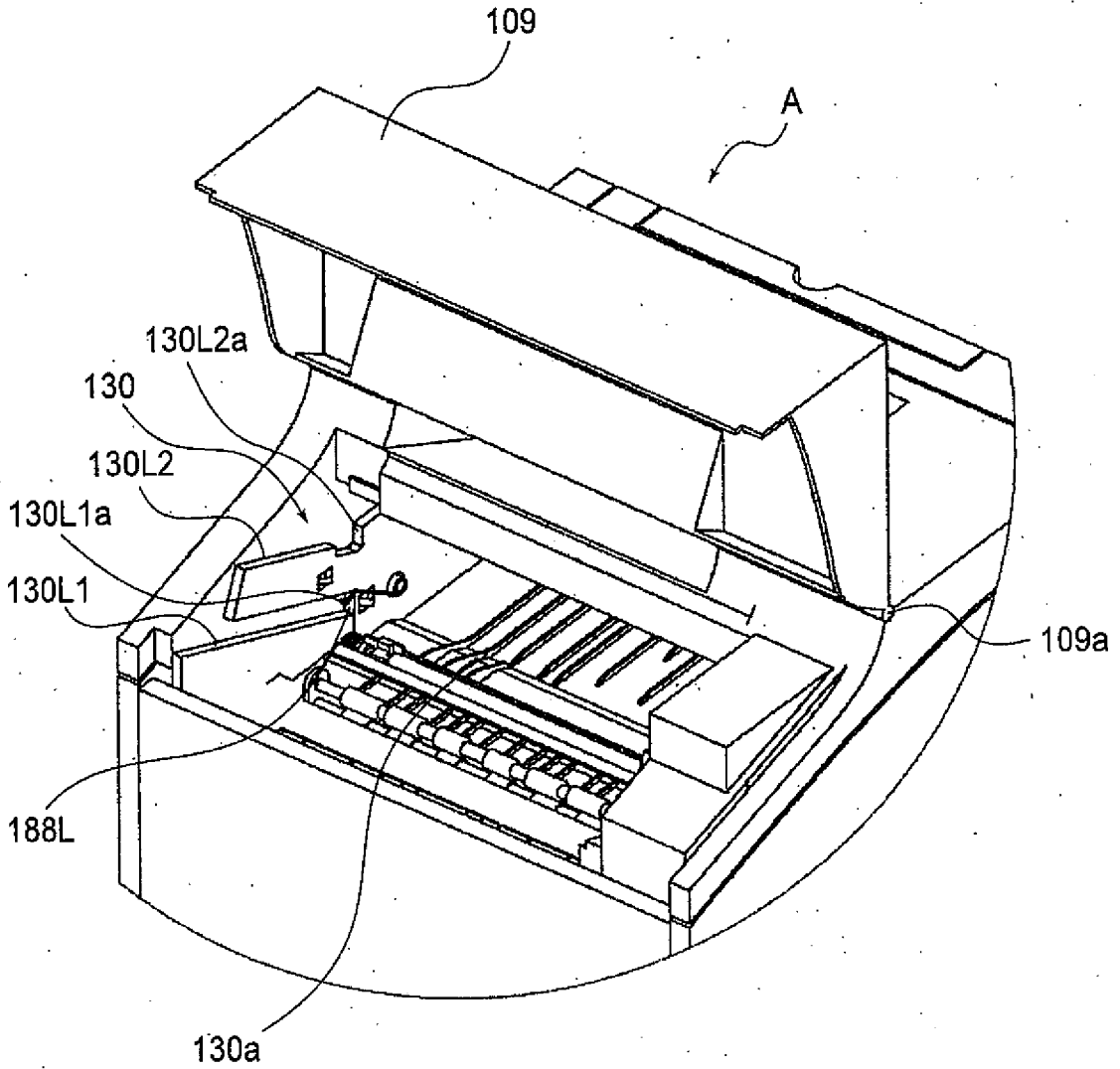


FIG.19

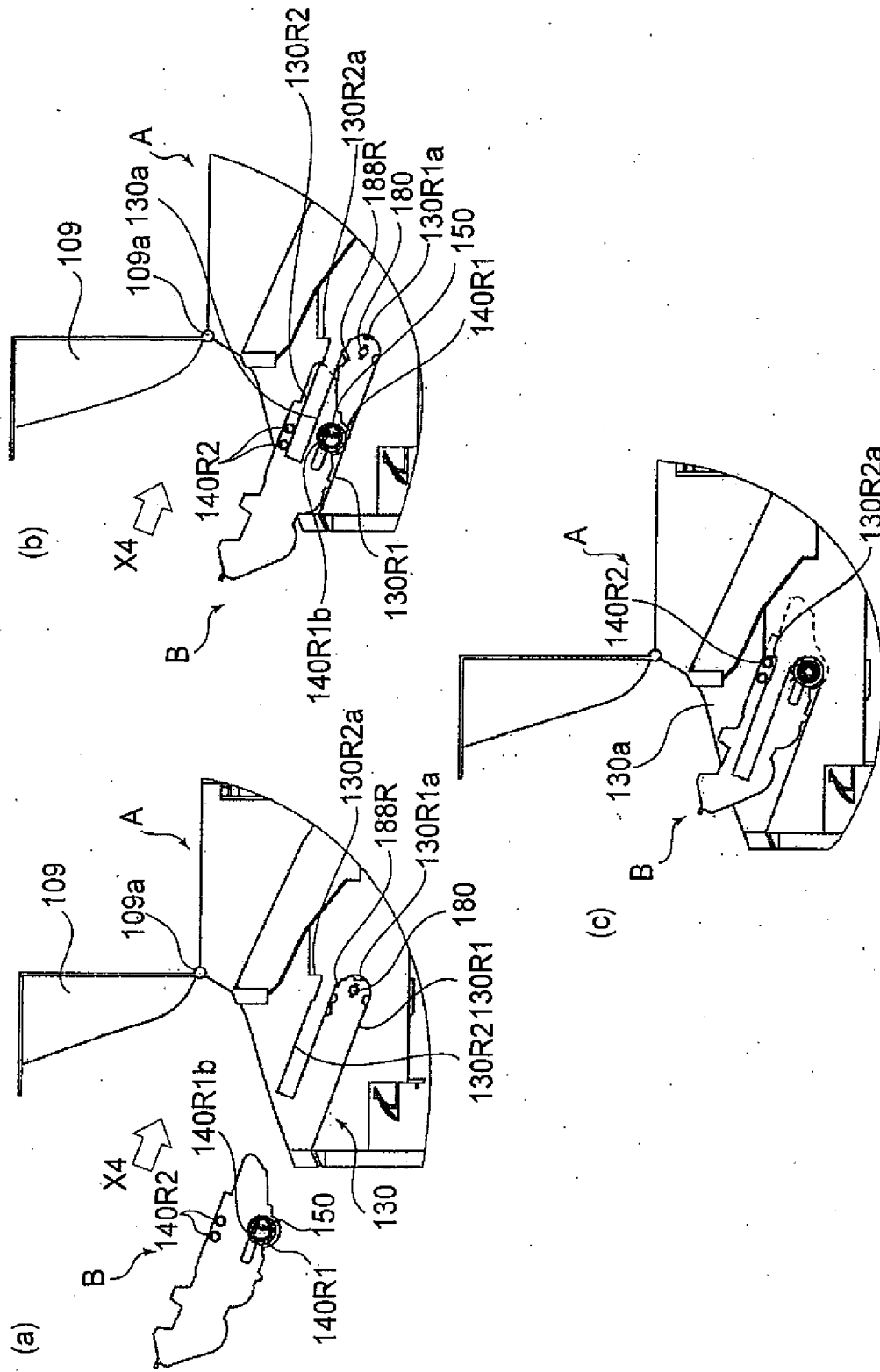


FIG. 20

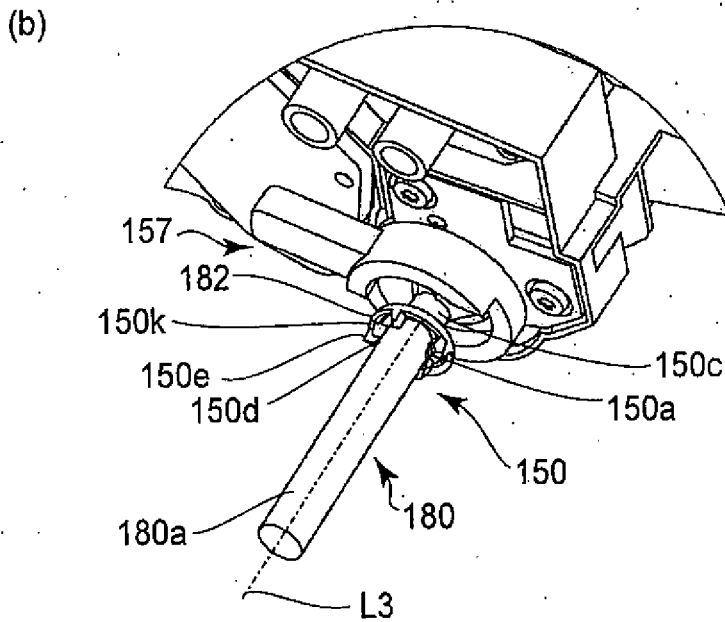
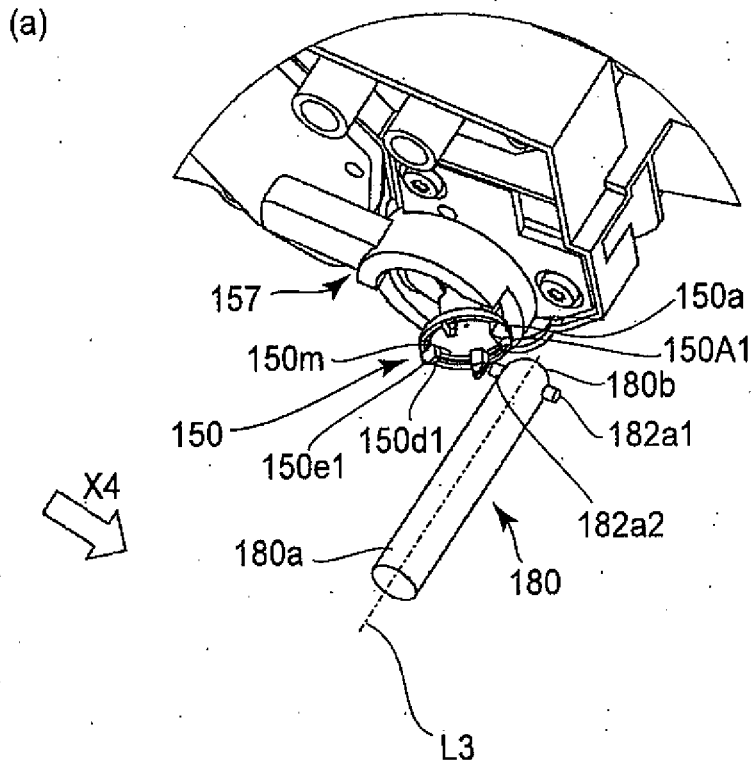
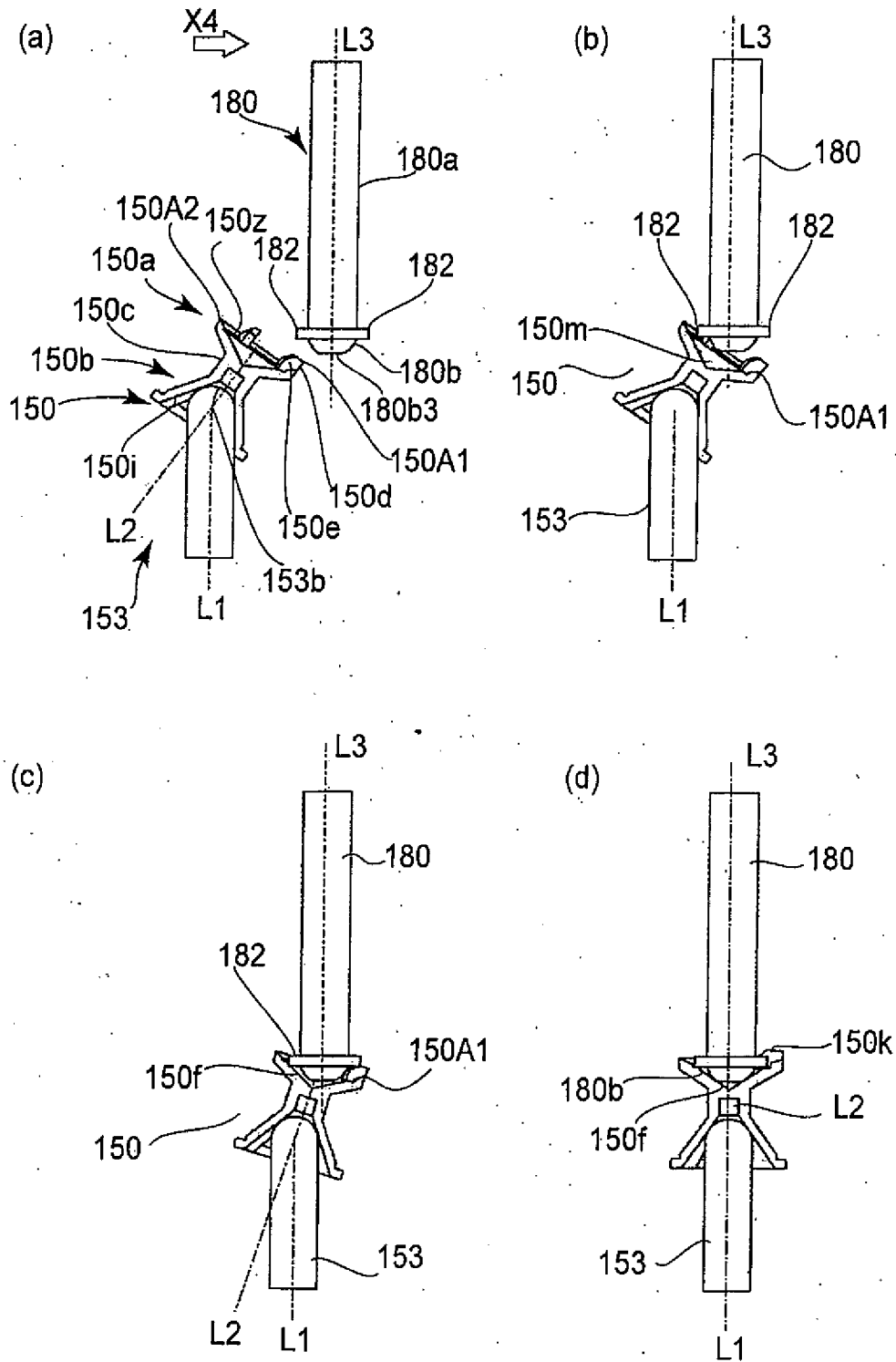


FIG.21



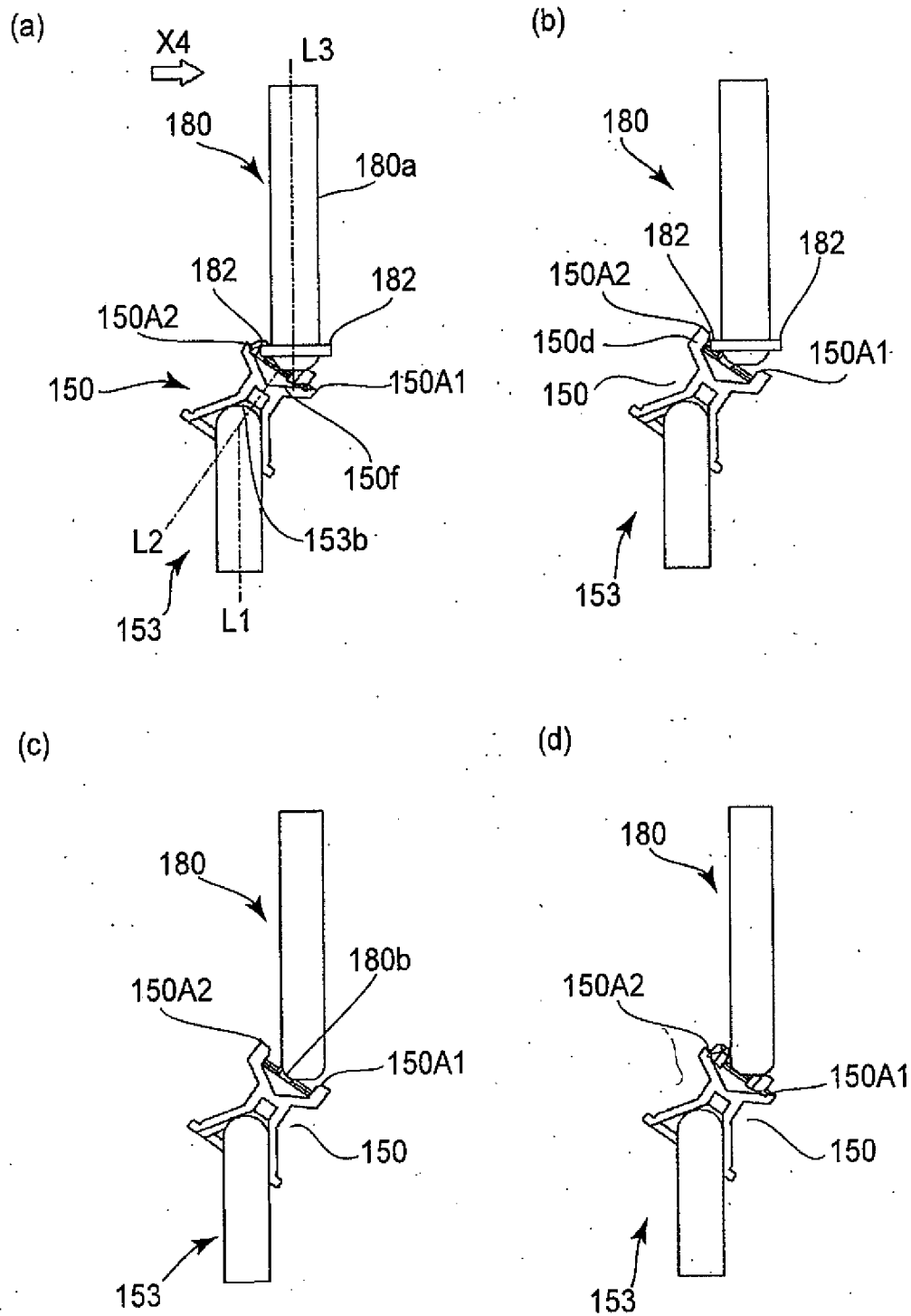


FIG. 23

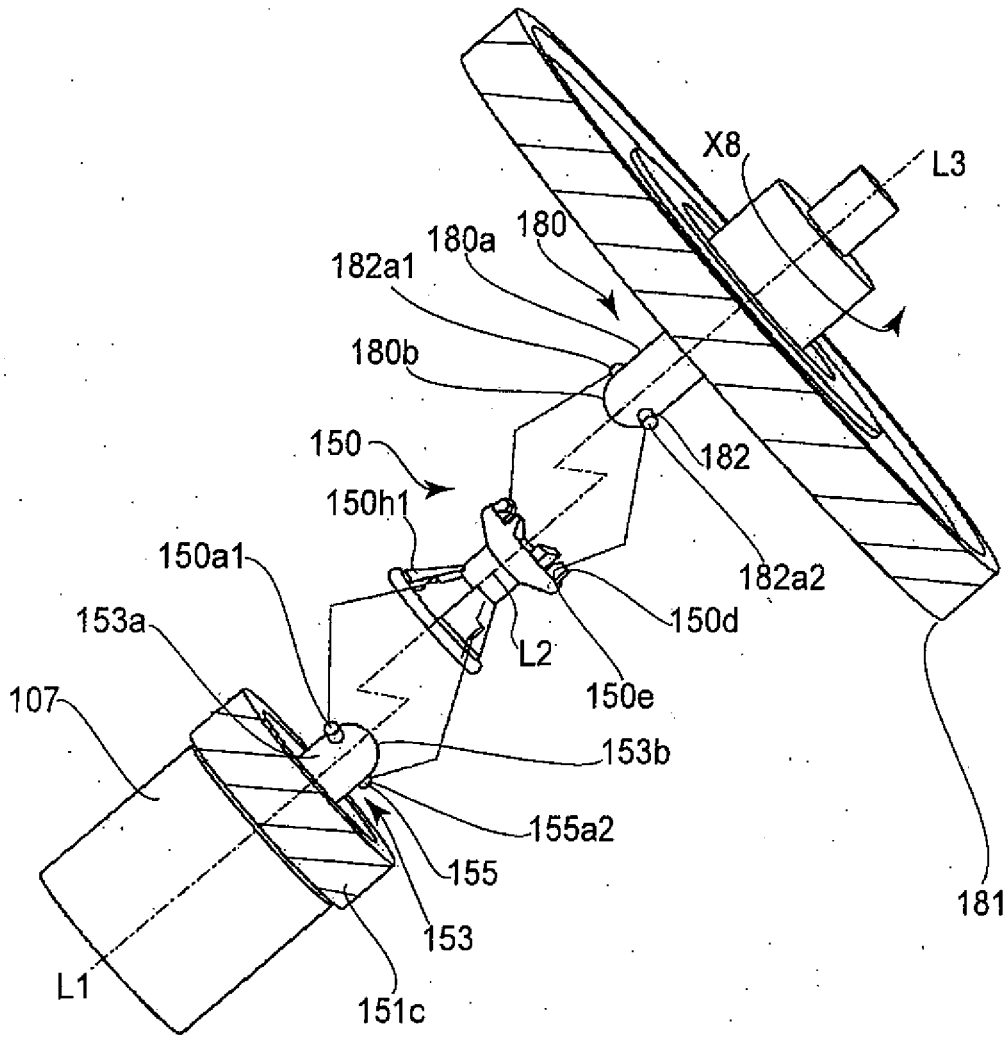


FIG.24

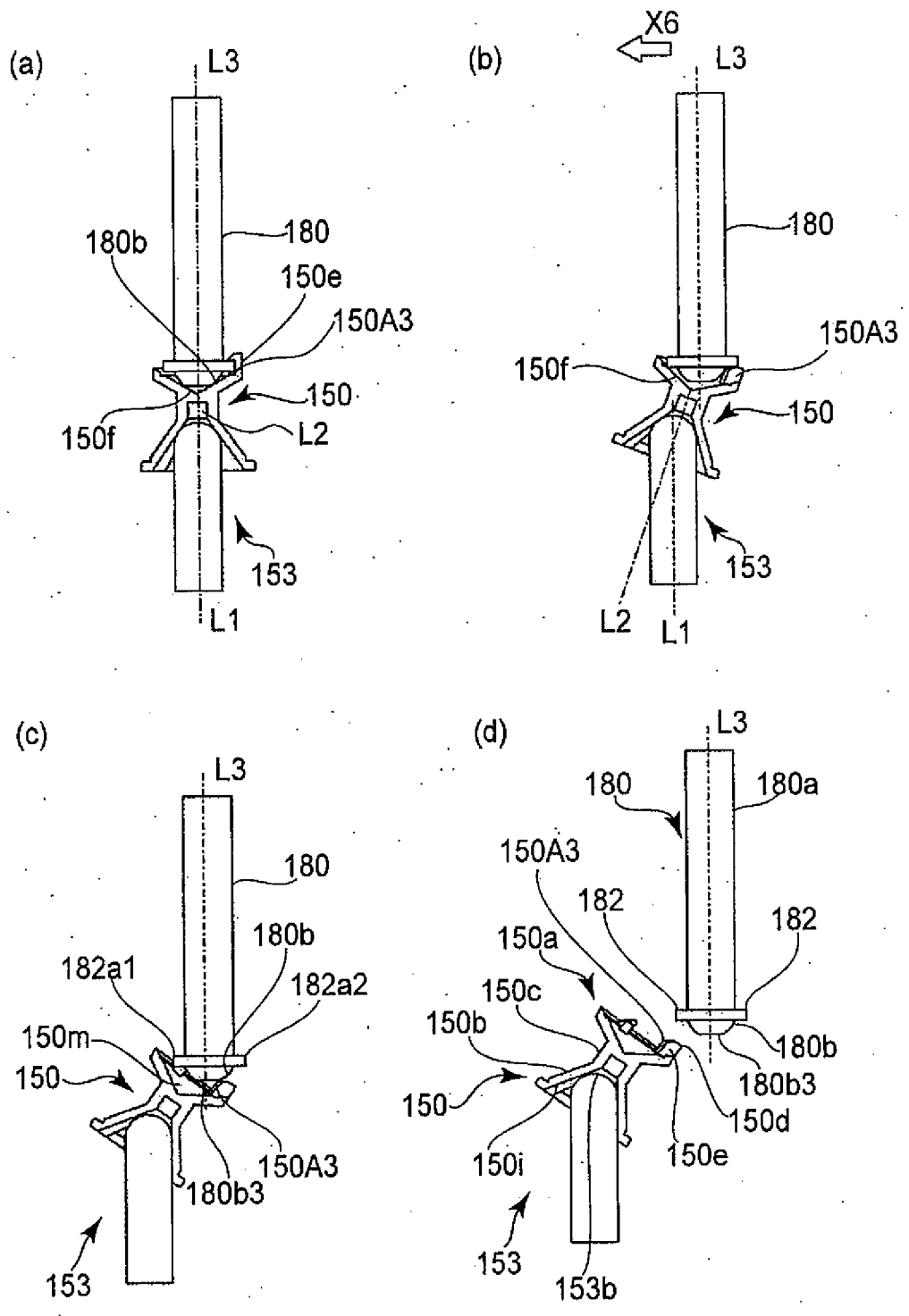


FIG. 25

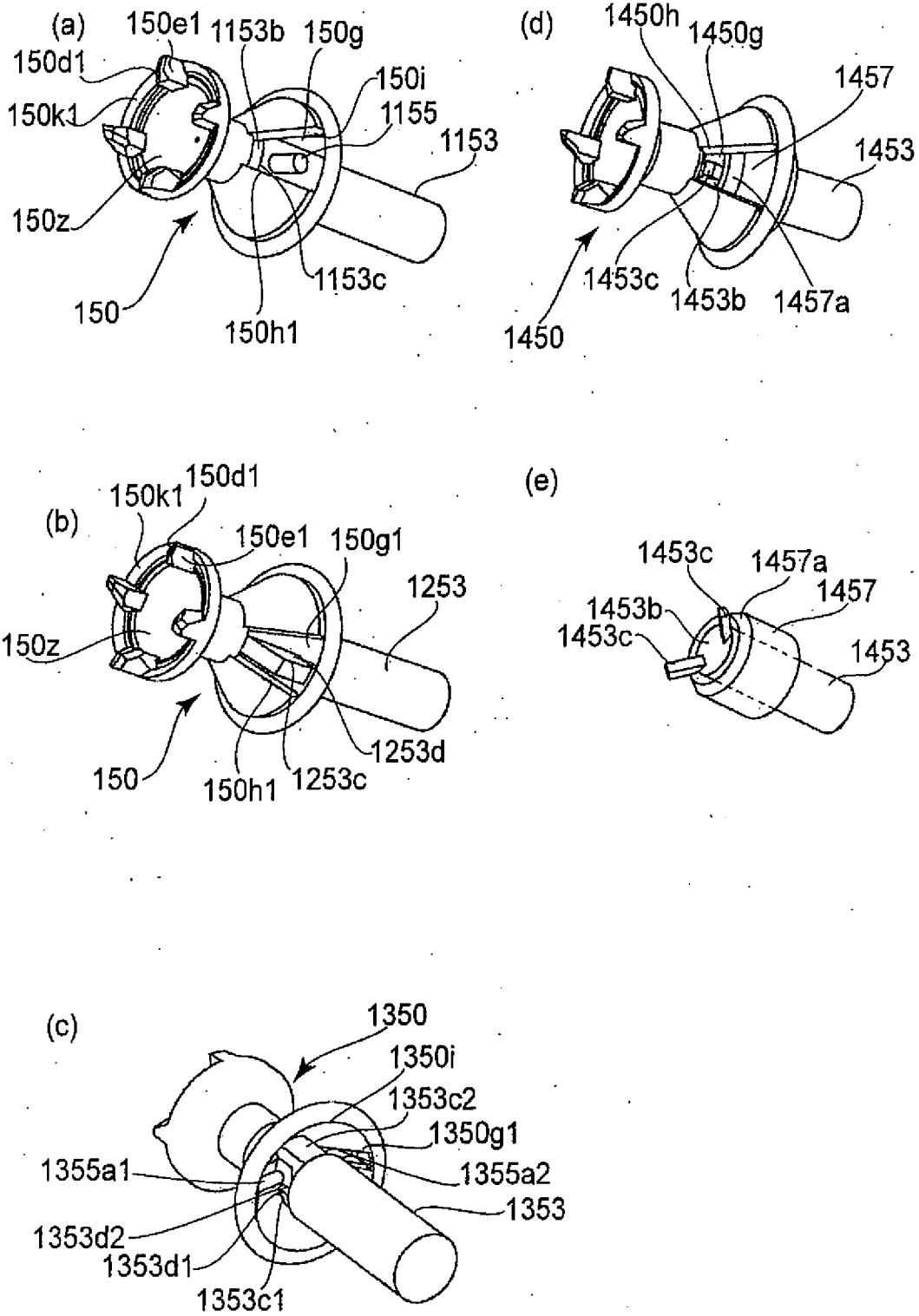


FIG.26

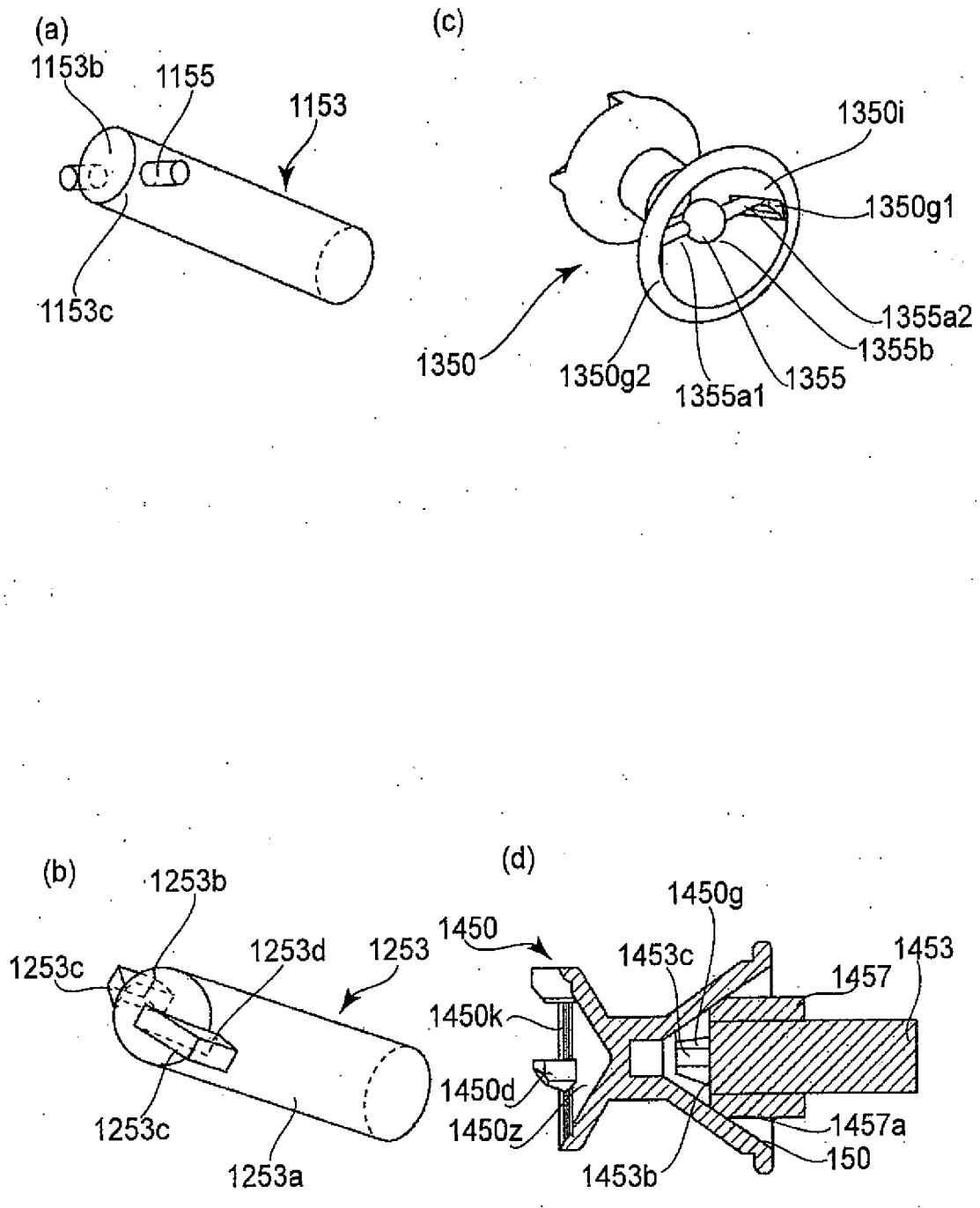


FIG.27

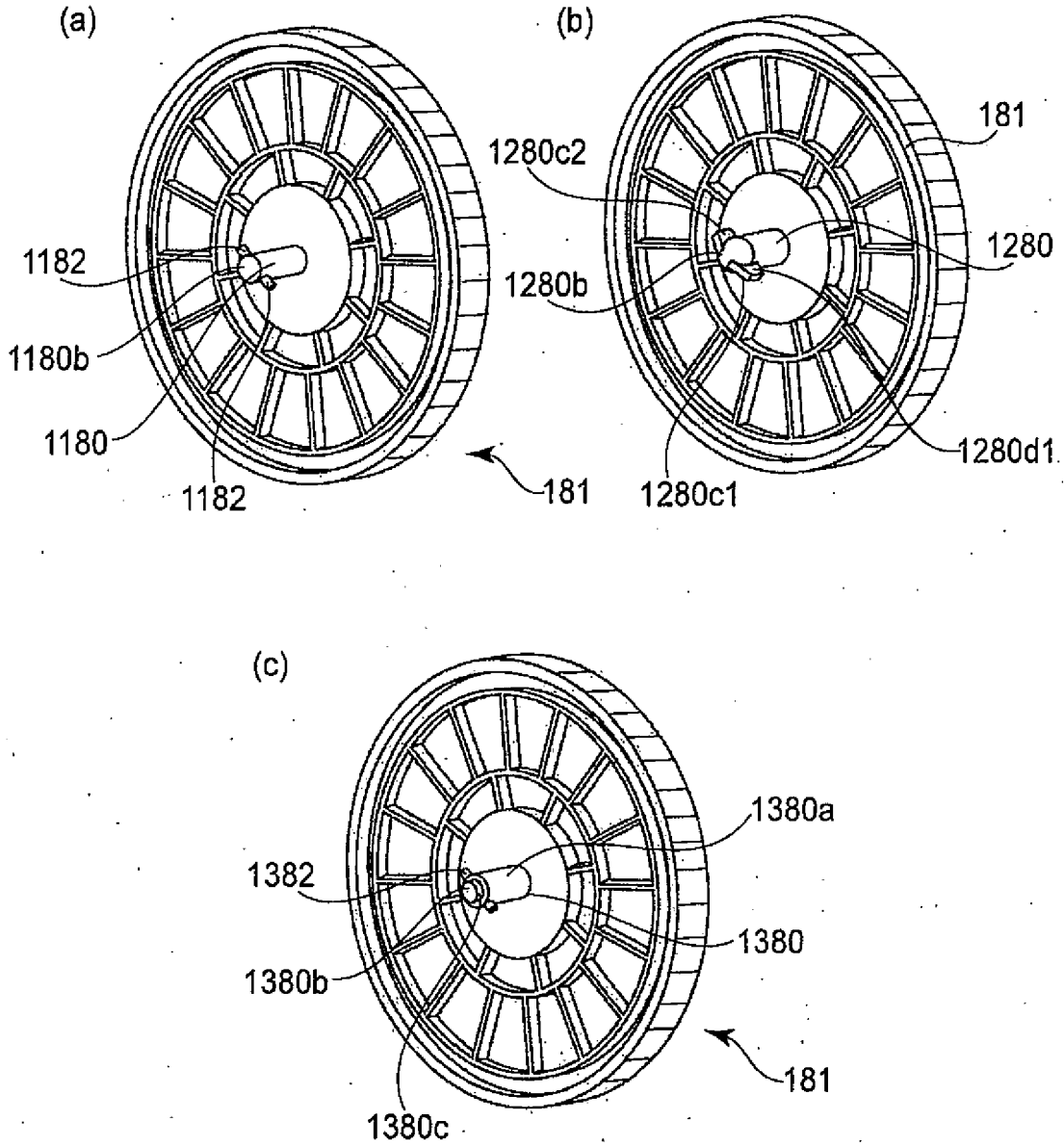


FIG.28

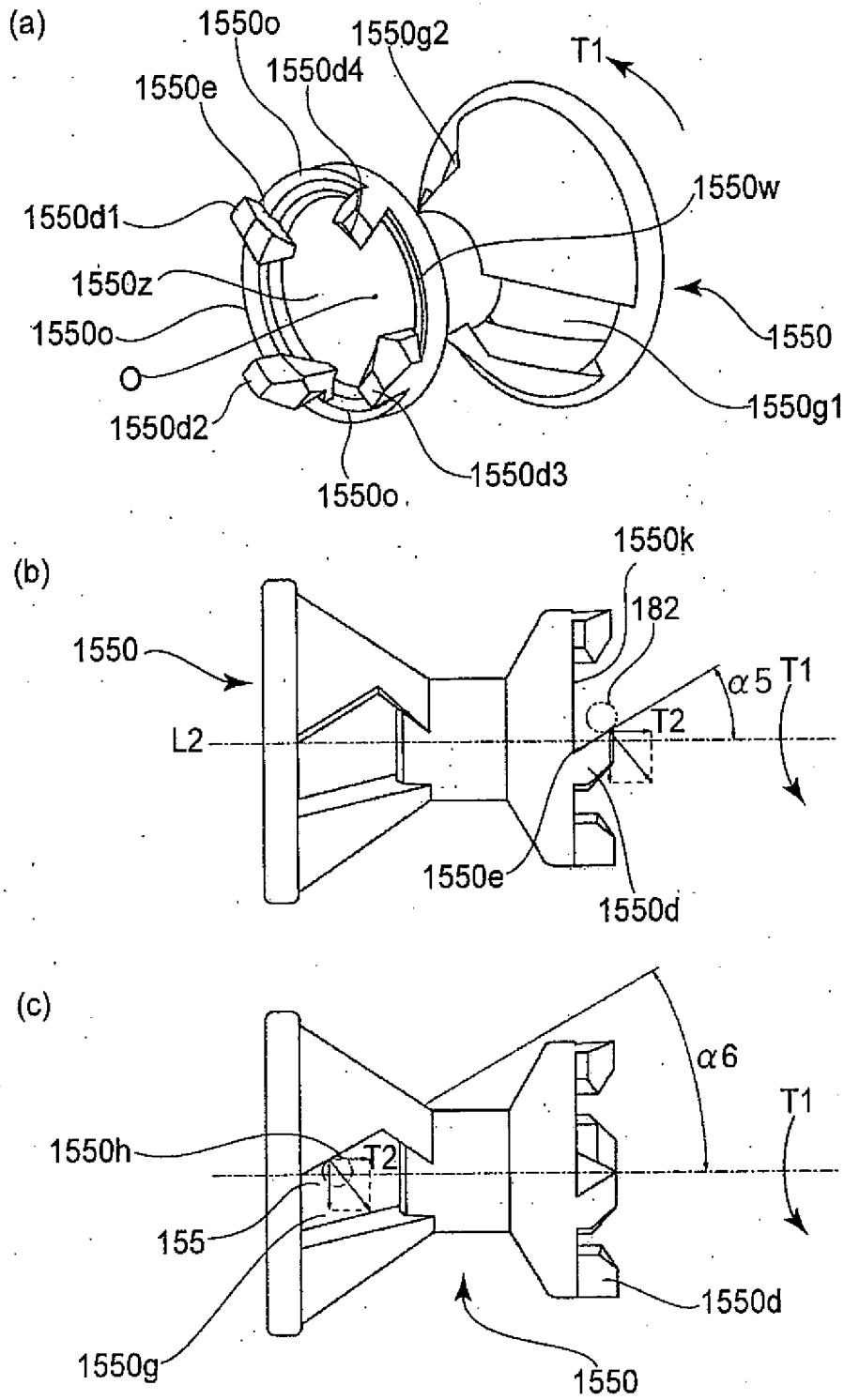


FIG. 29

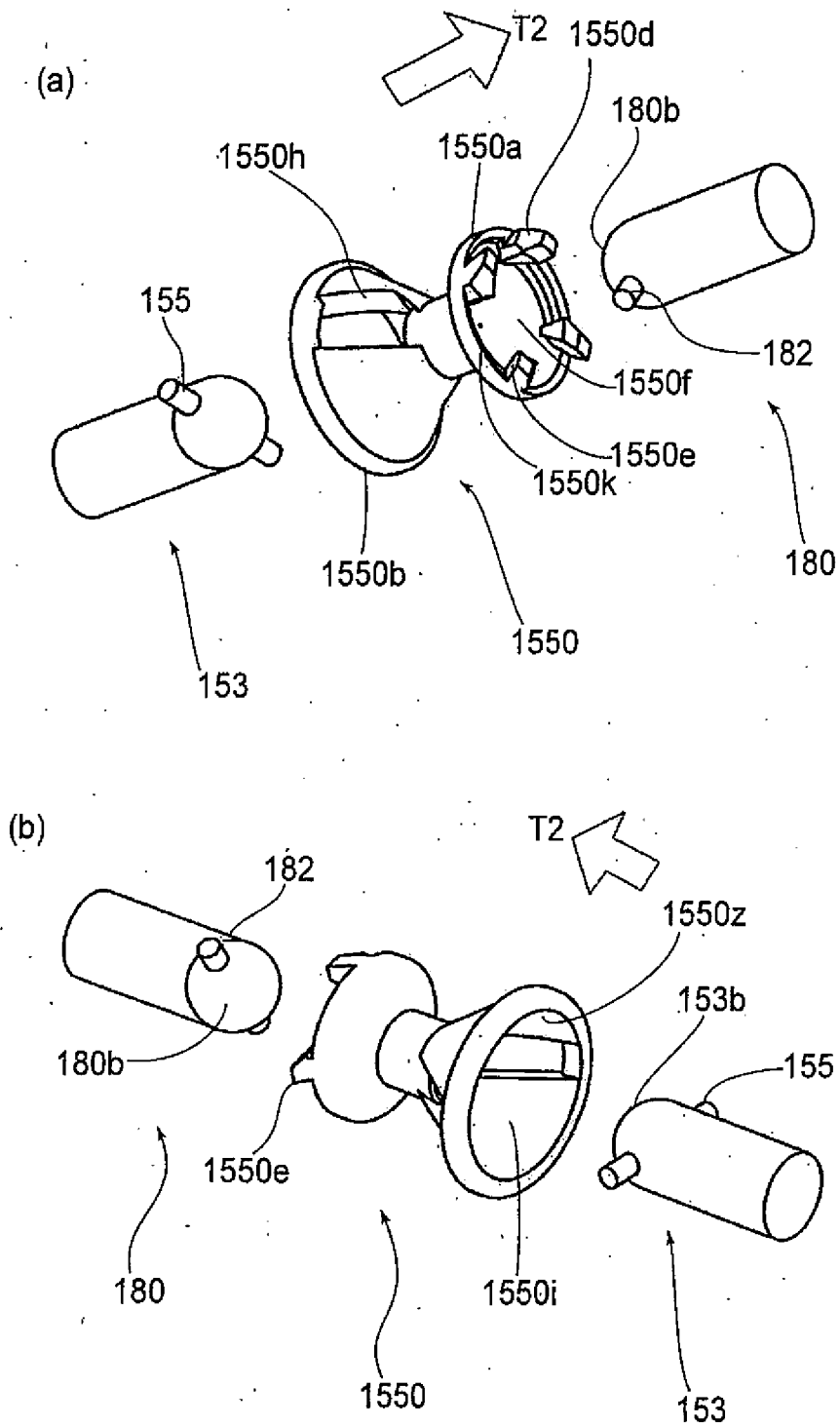


FIG. 30

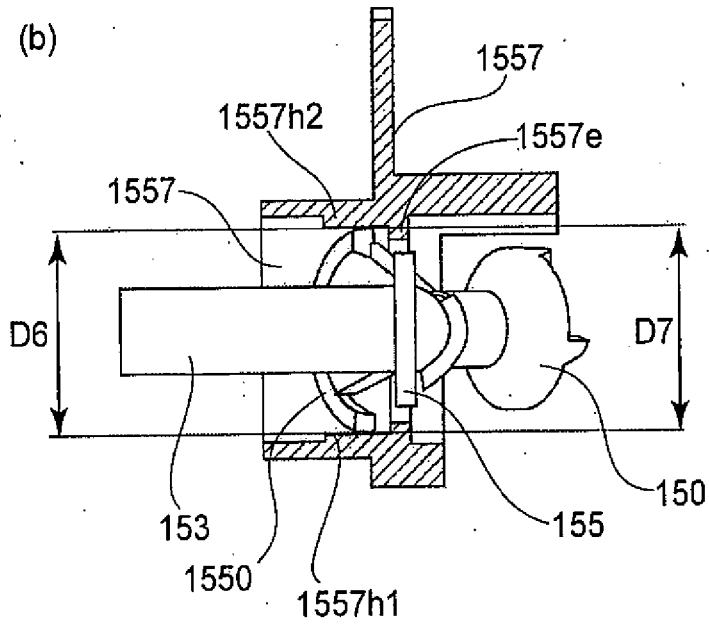
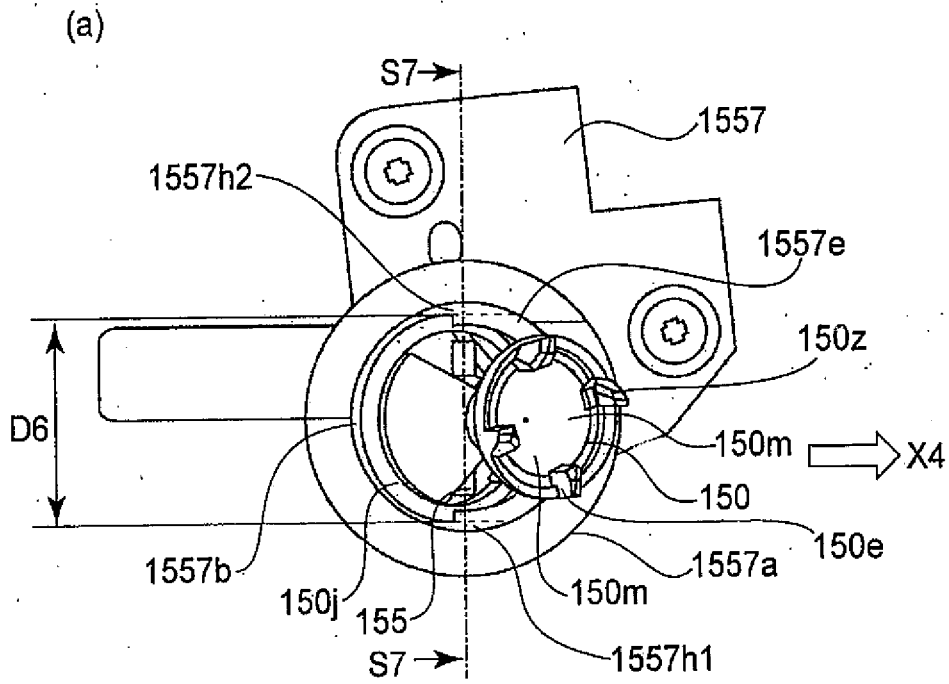
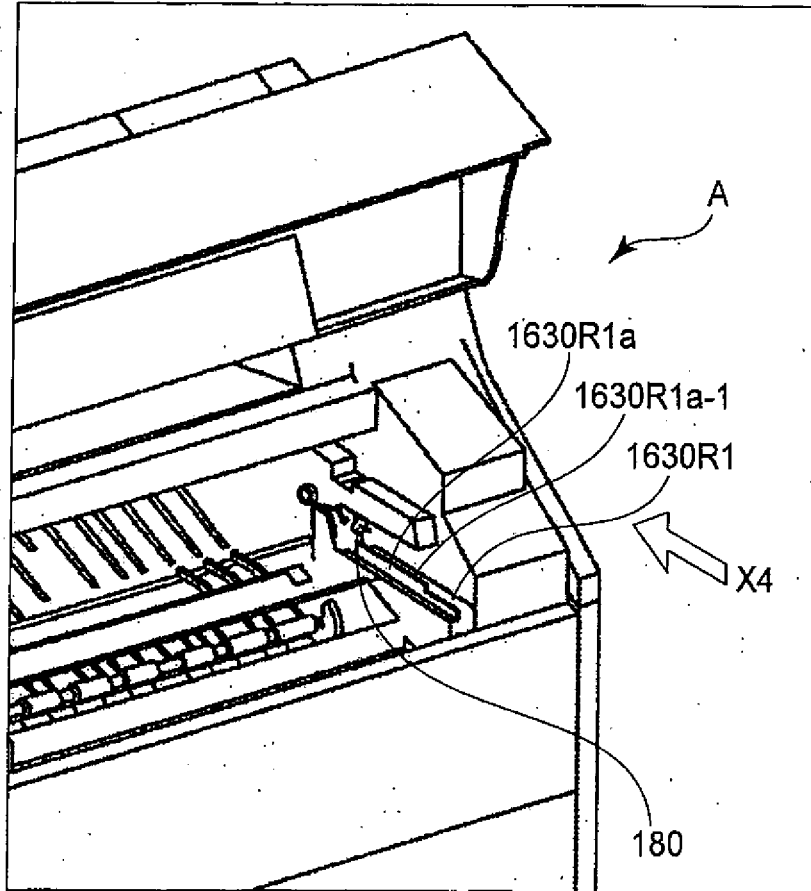


FIG.31

(a)



(b)

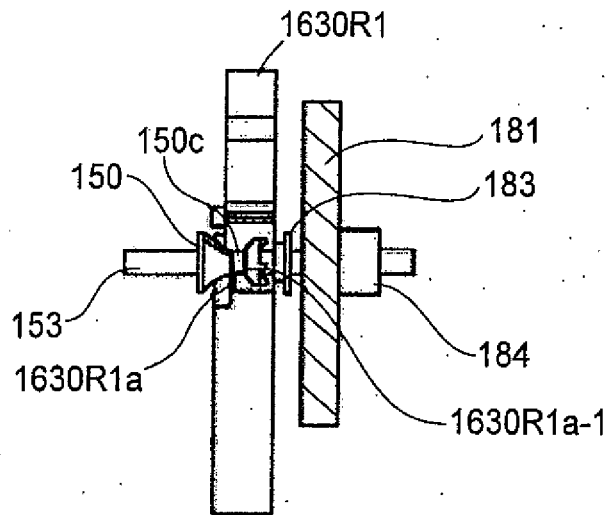


FIG.32

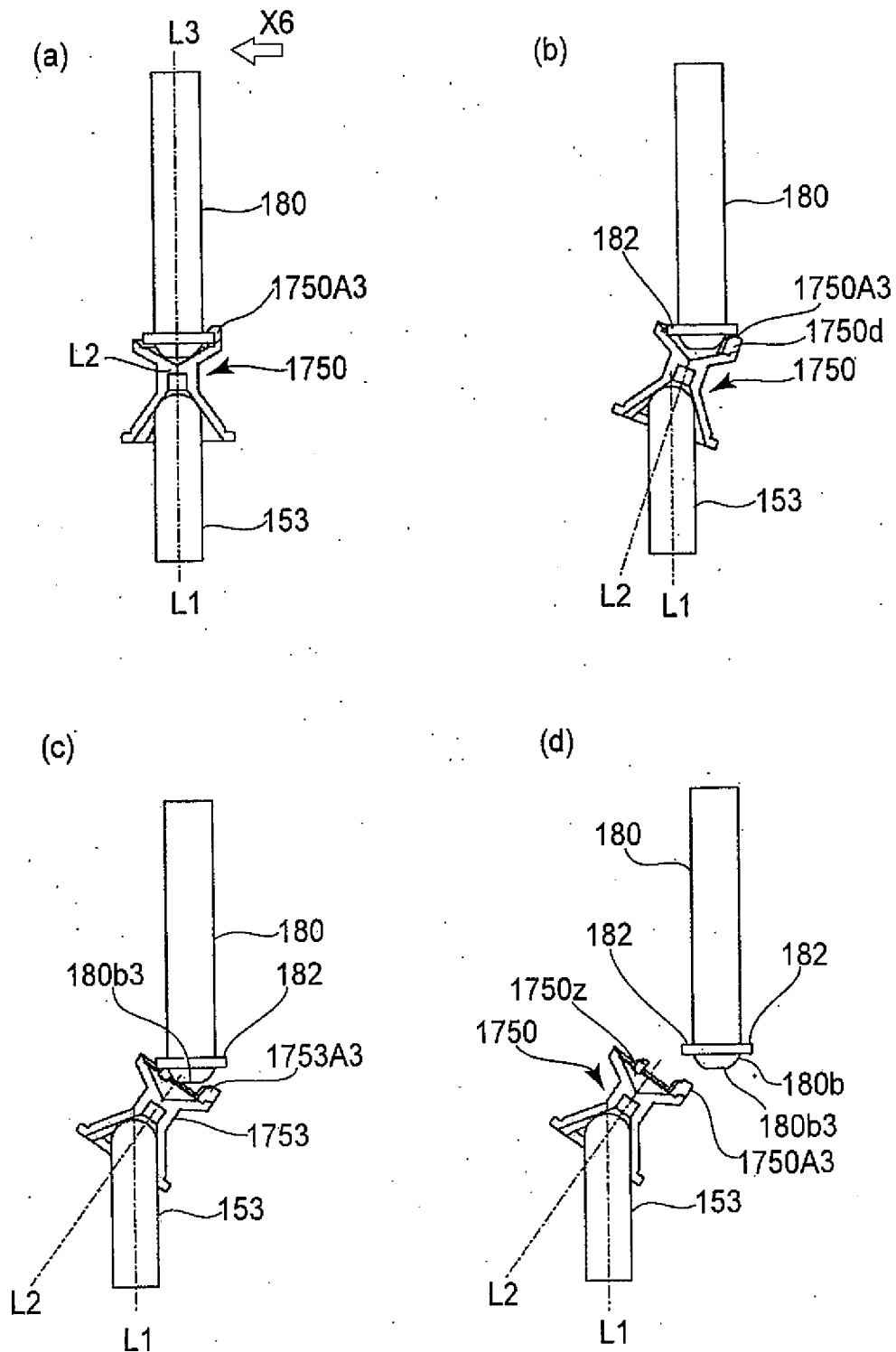


FIG. 33

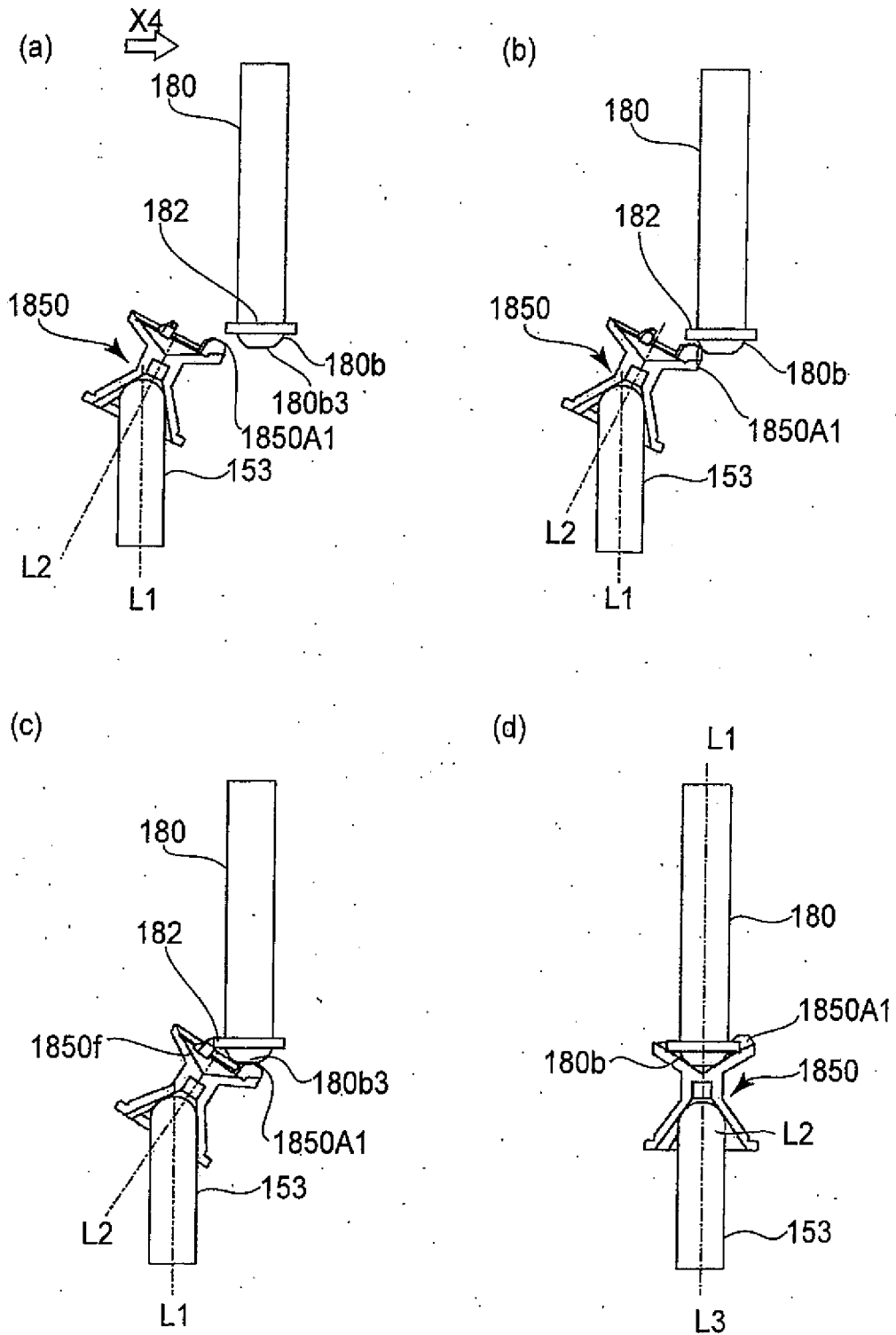


FIG. 34

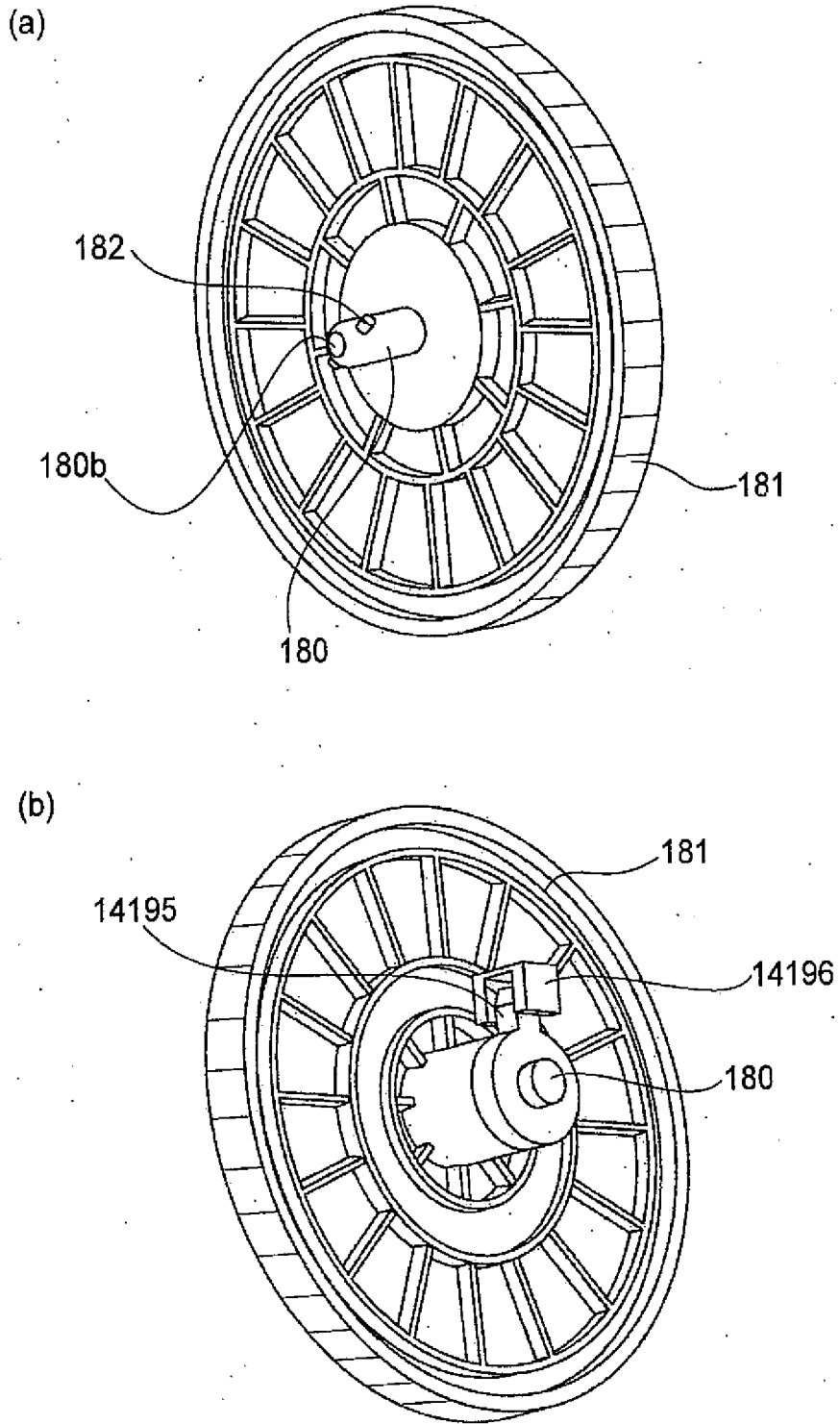


FIG.35

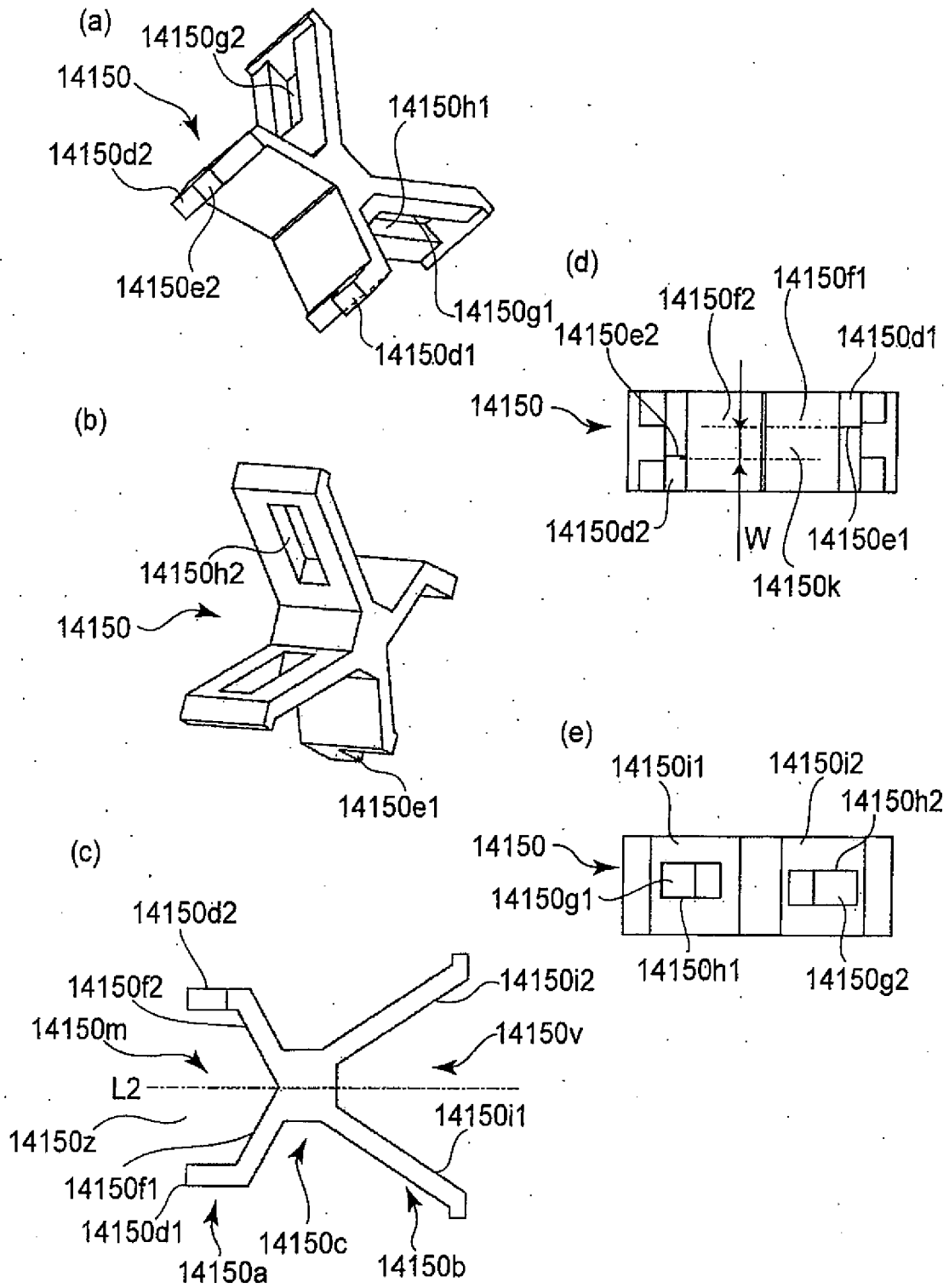
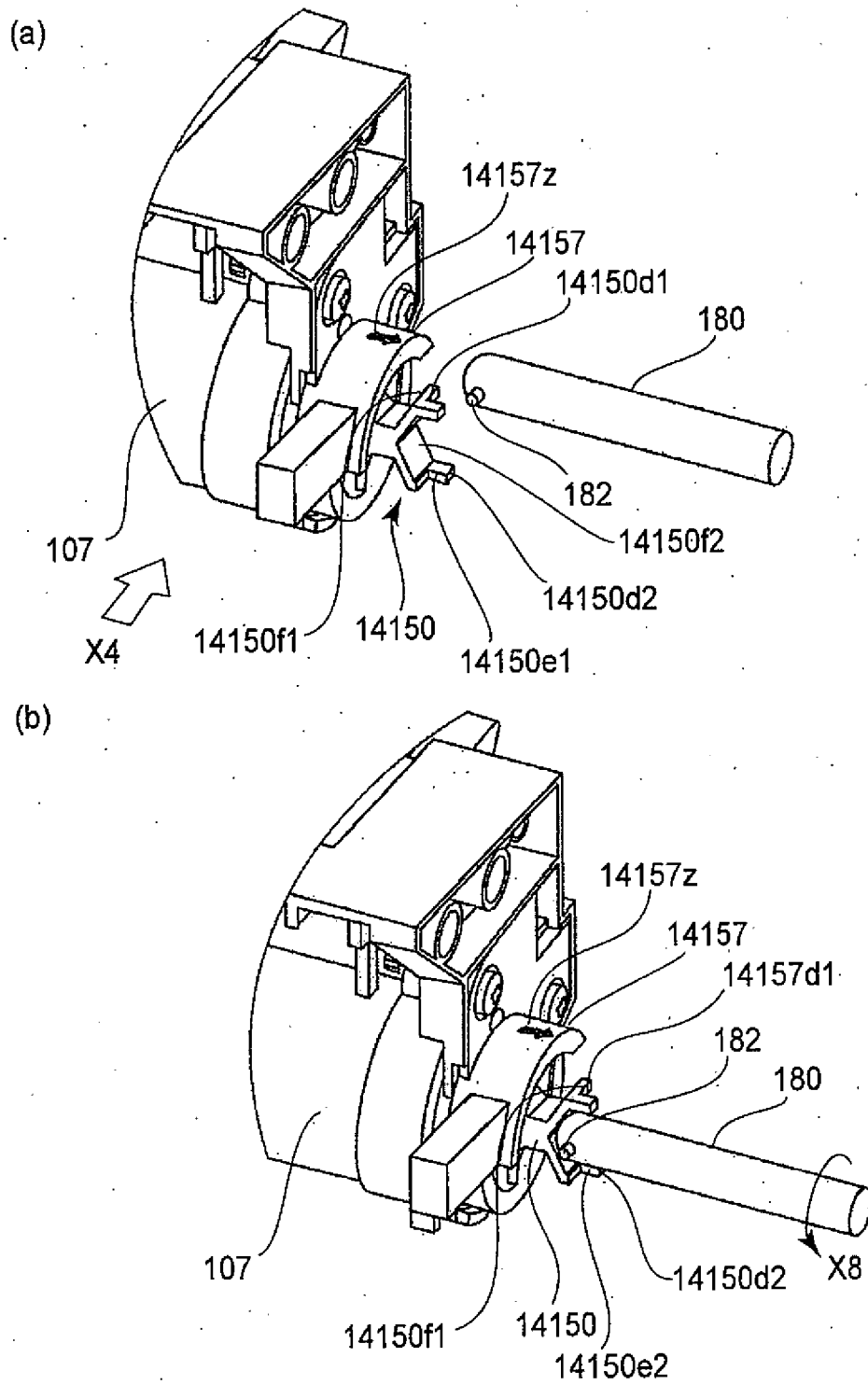
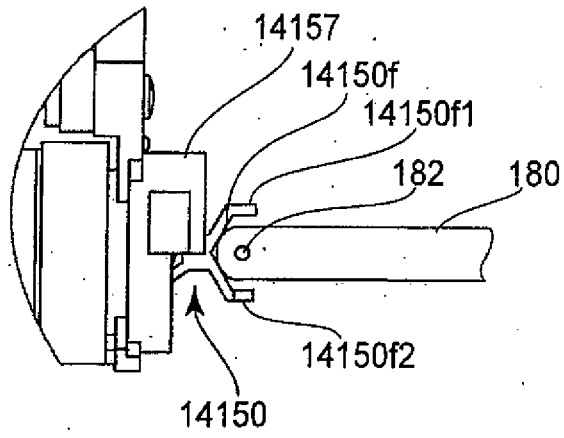


FIG. 36



(a)



(b)

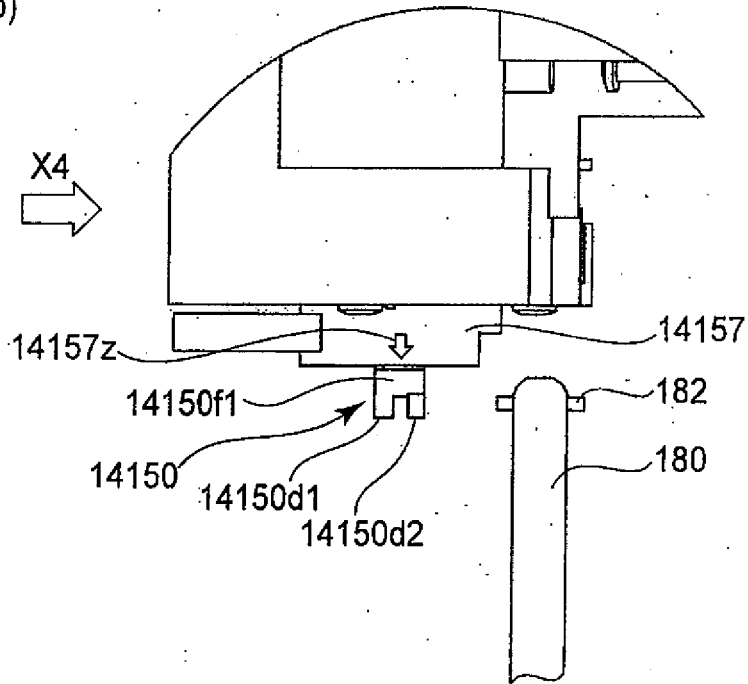


FIG.38

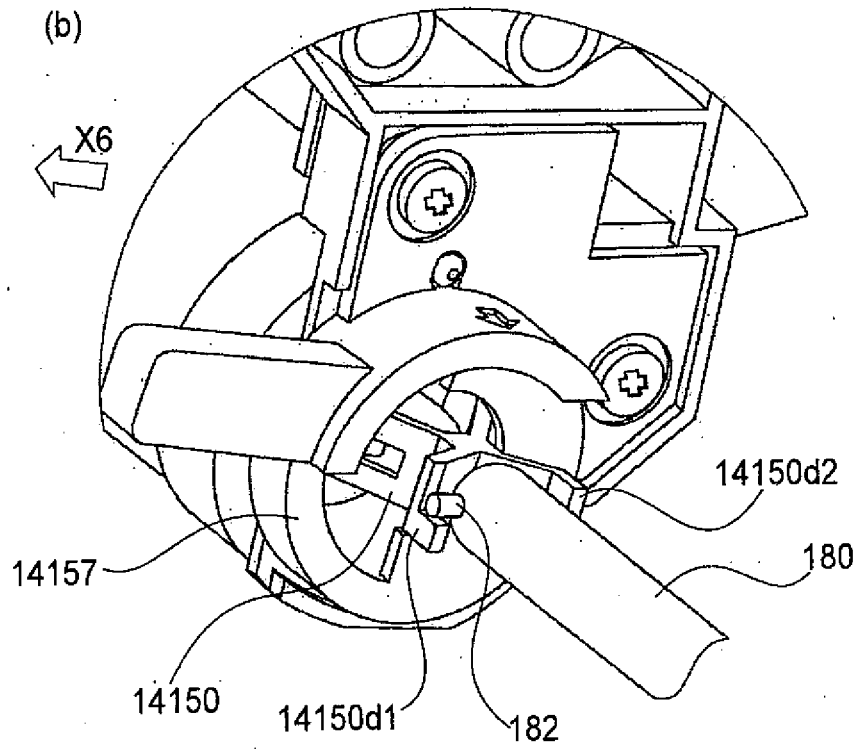
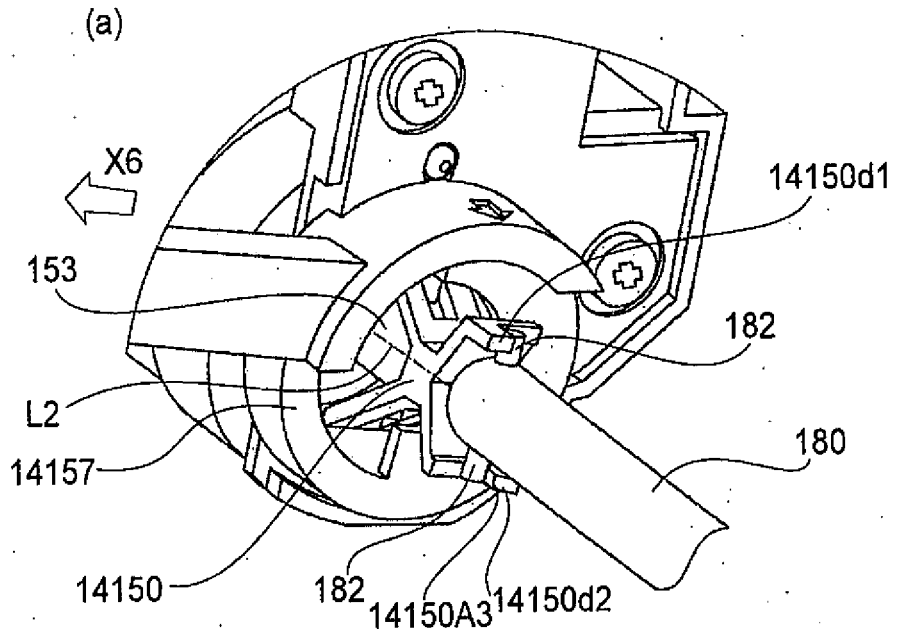


FIG. 39

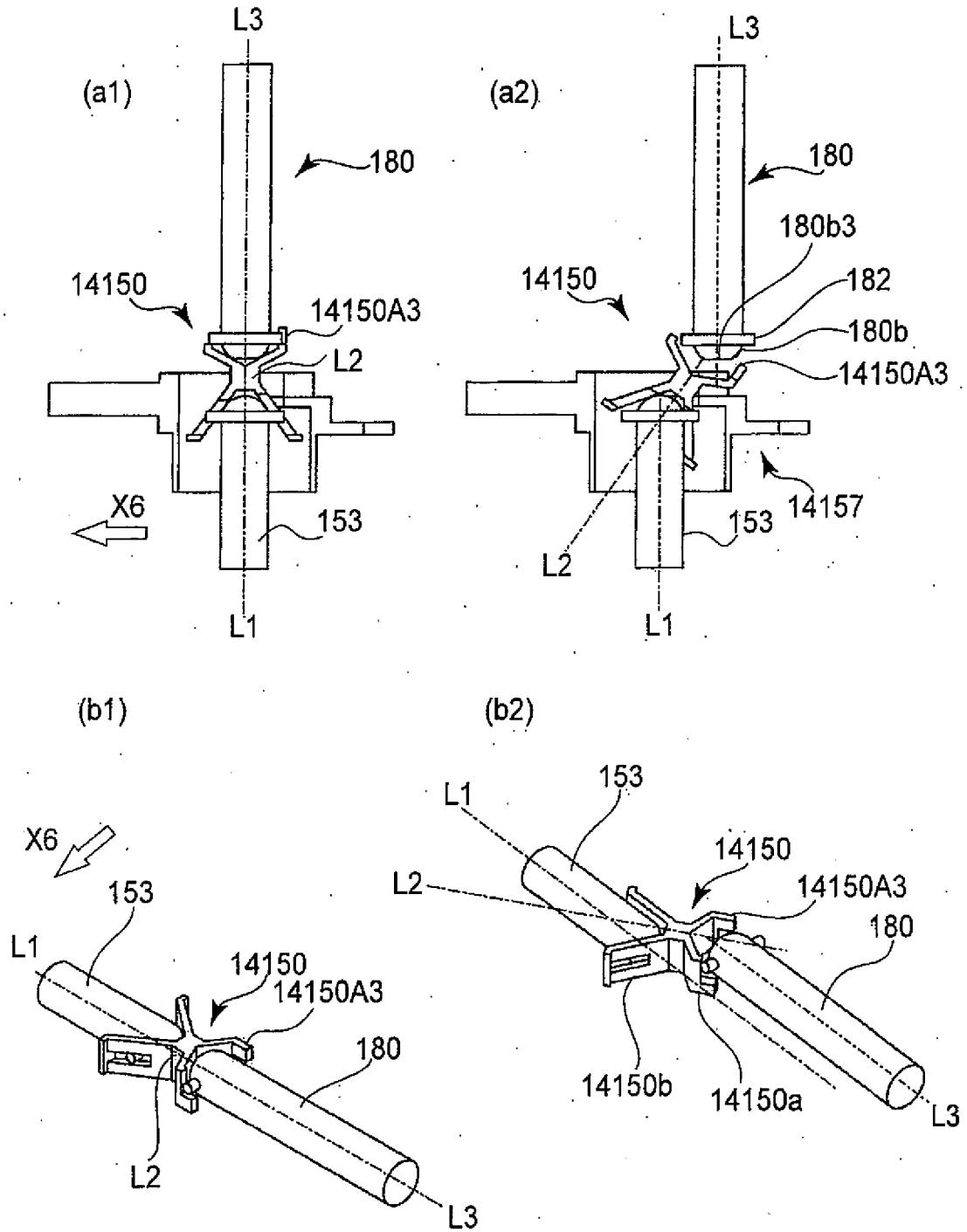


FIG.40

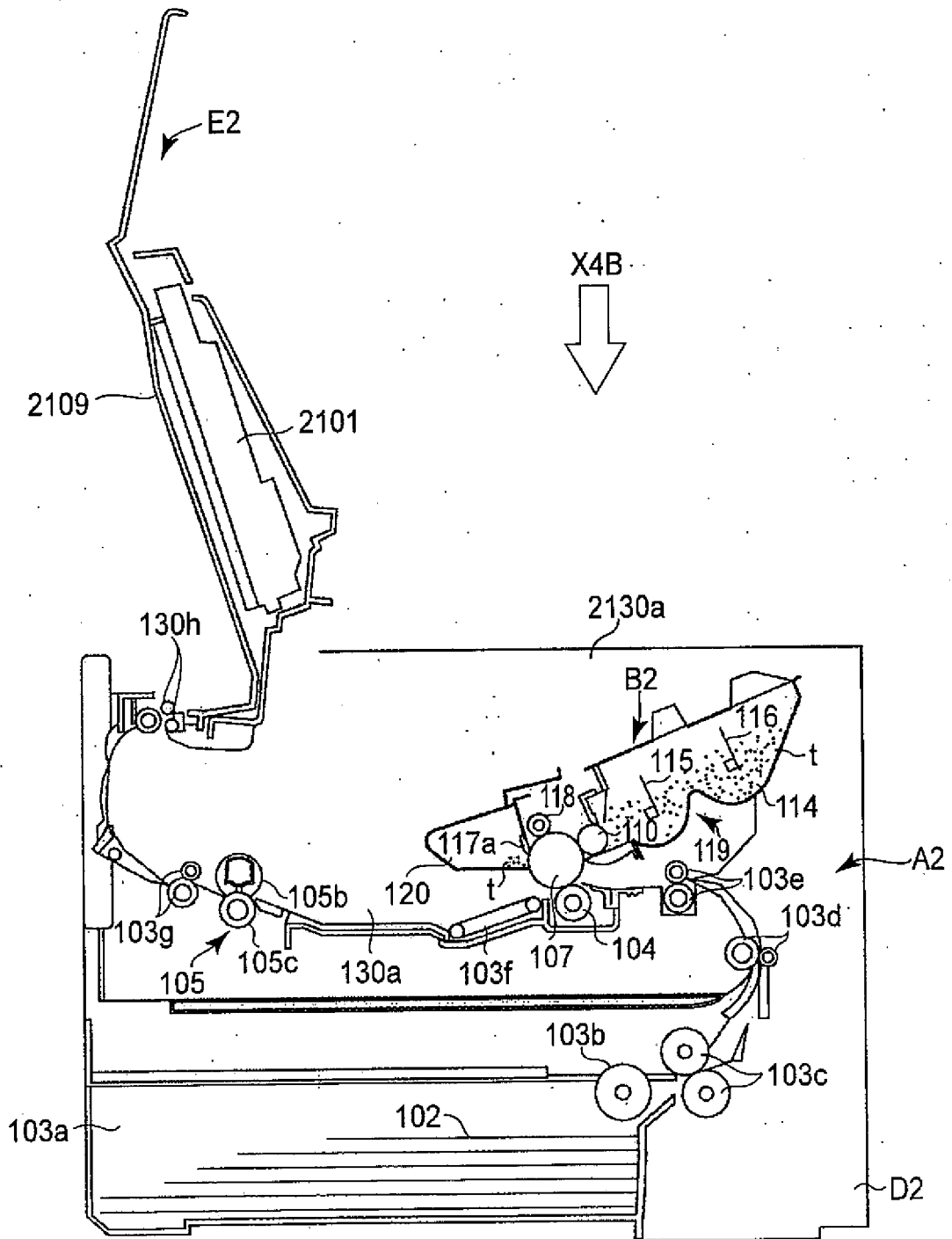


FIG.41

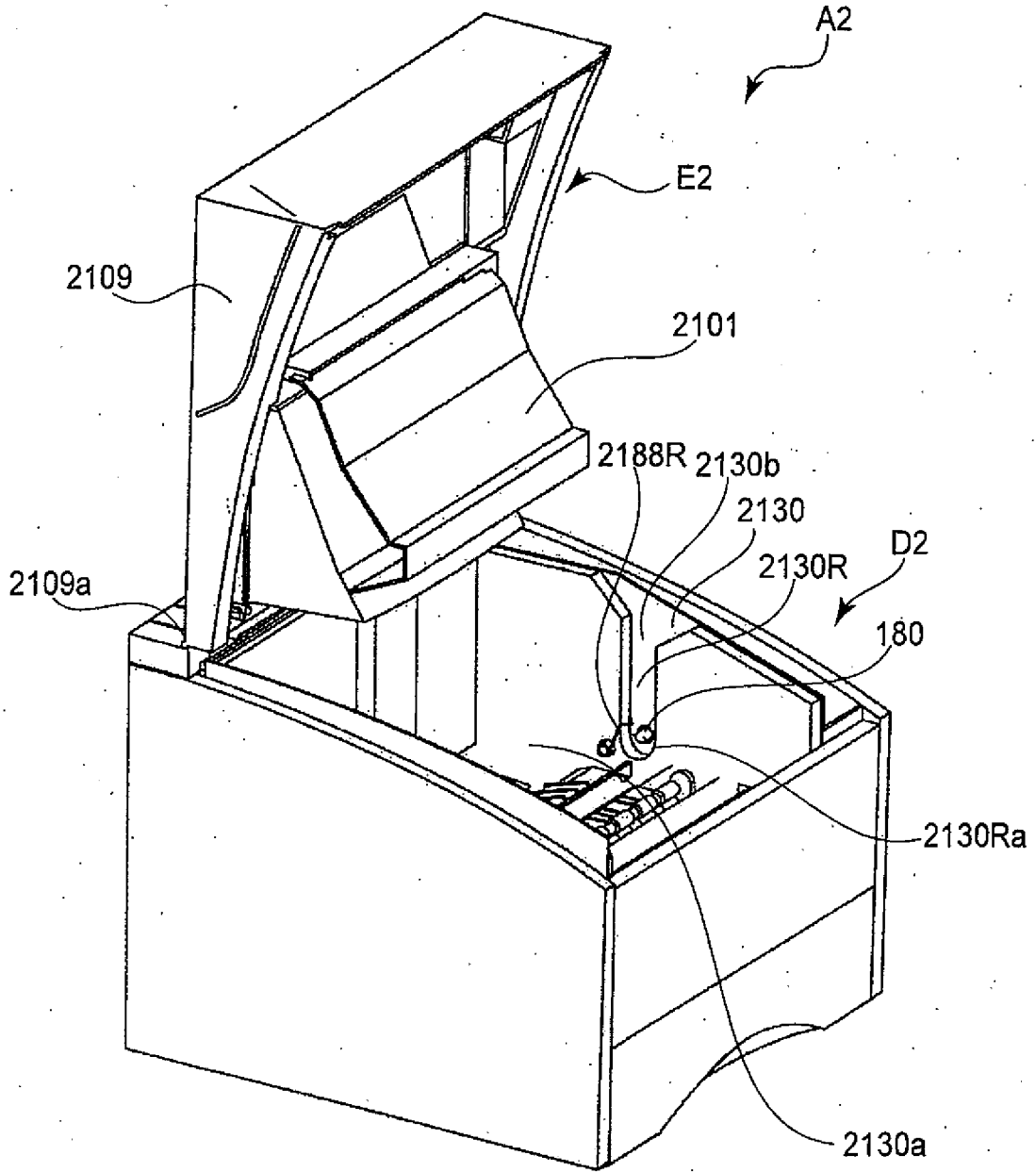


FIG. 42

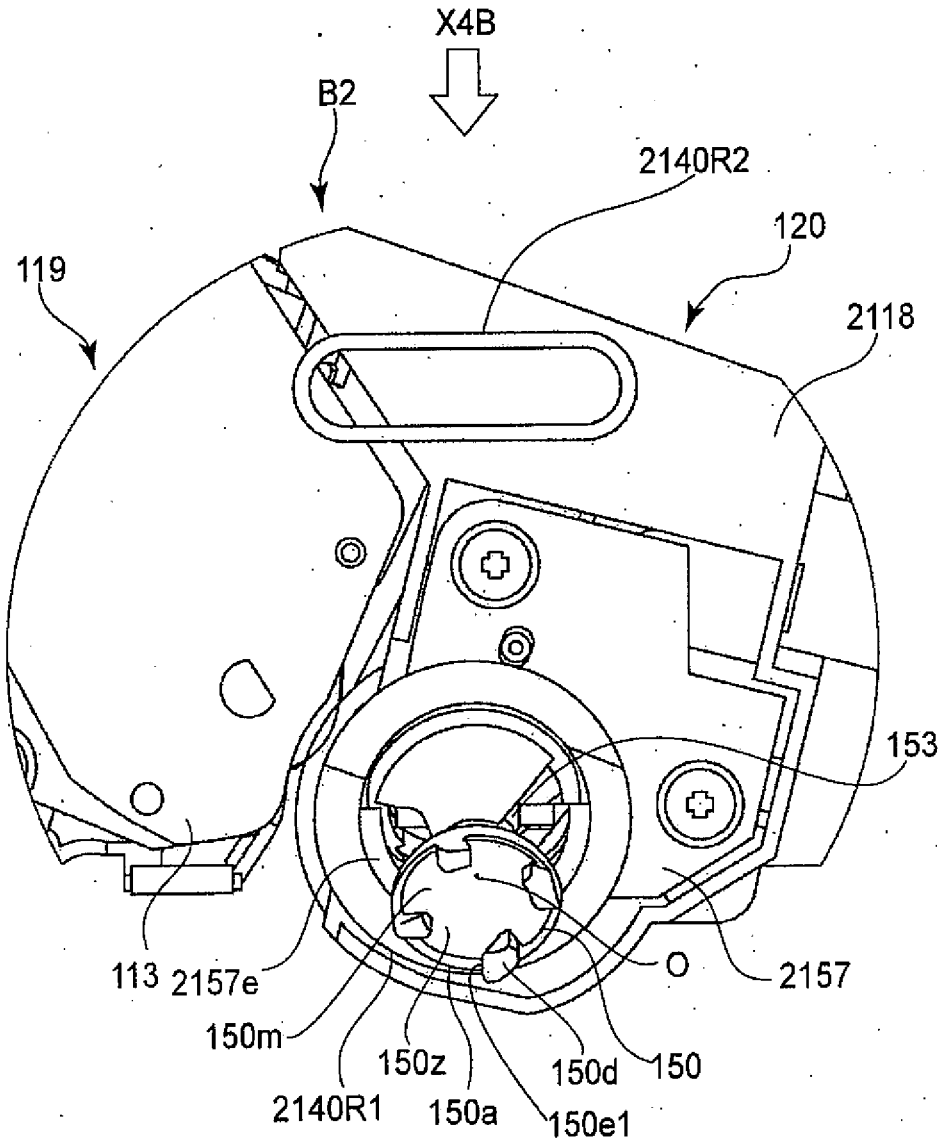


FIG. 43

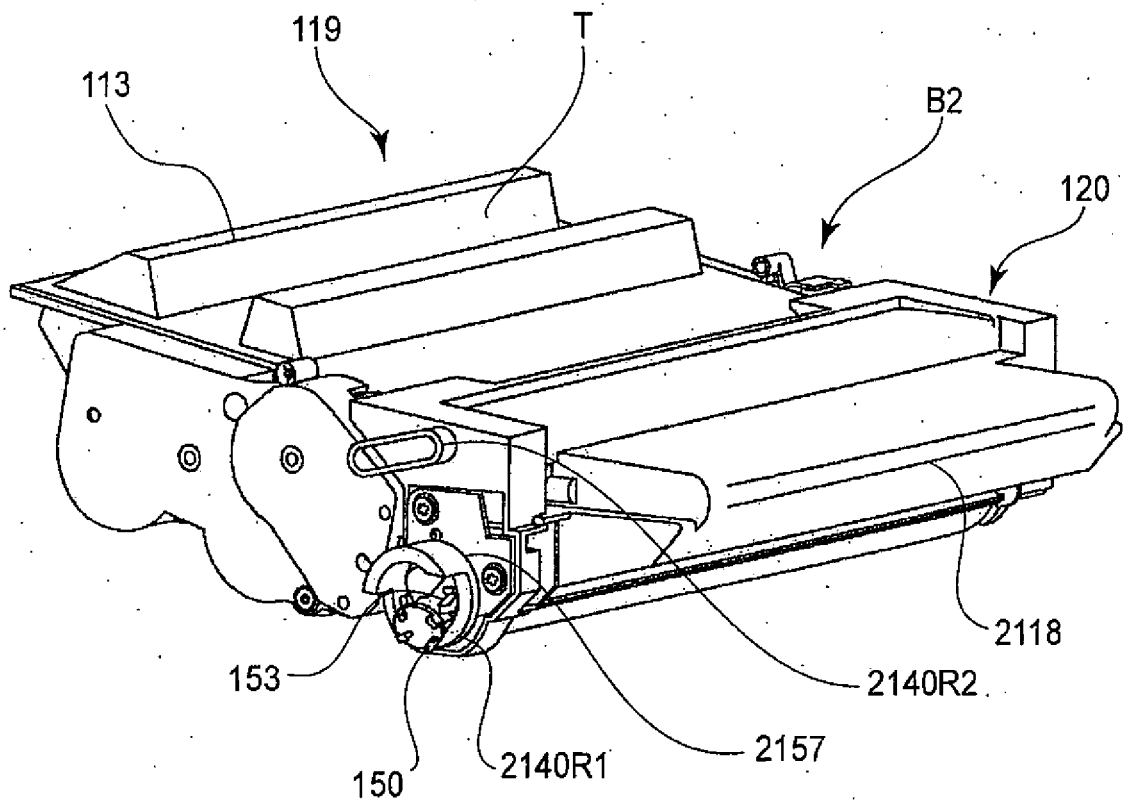


FIG.44

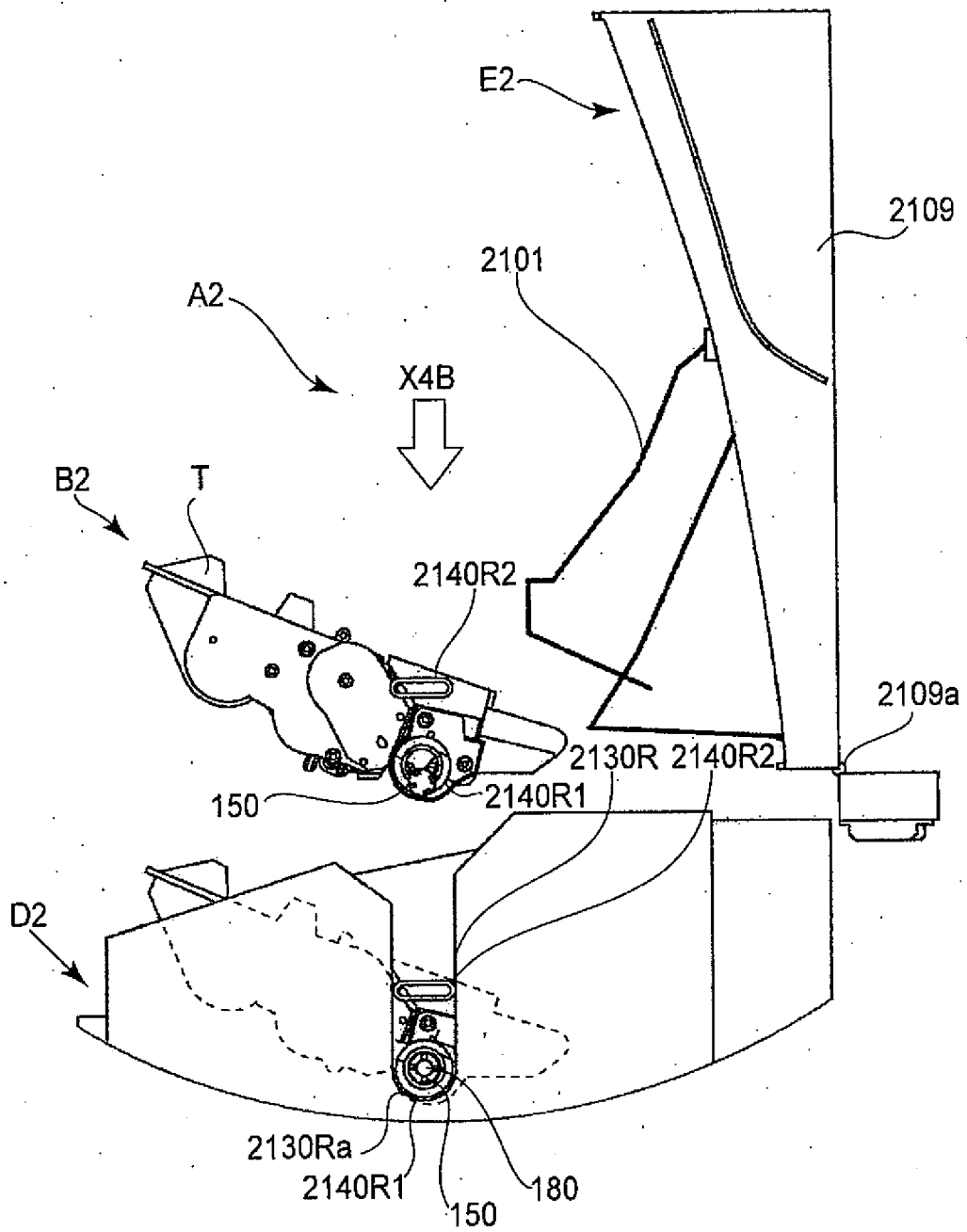


FIG.45

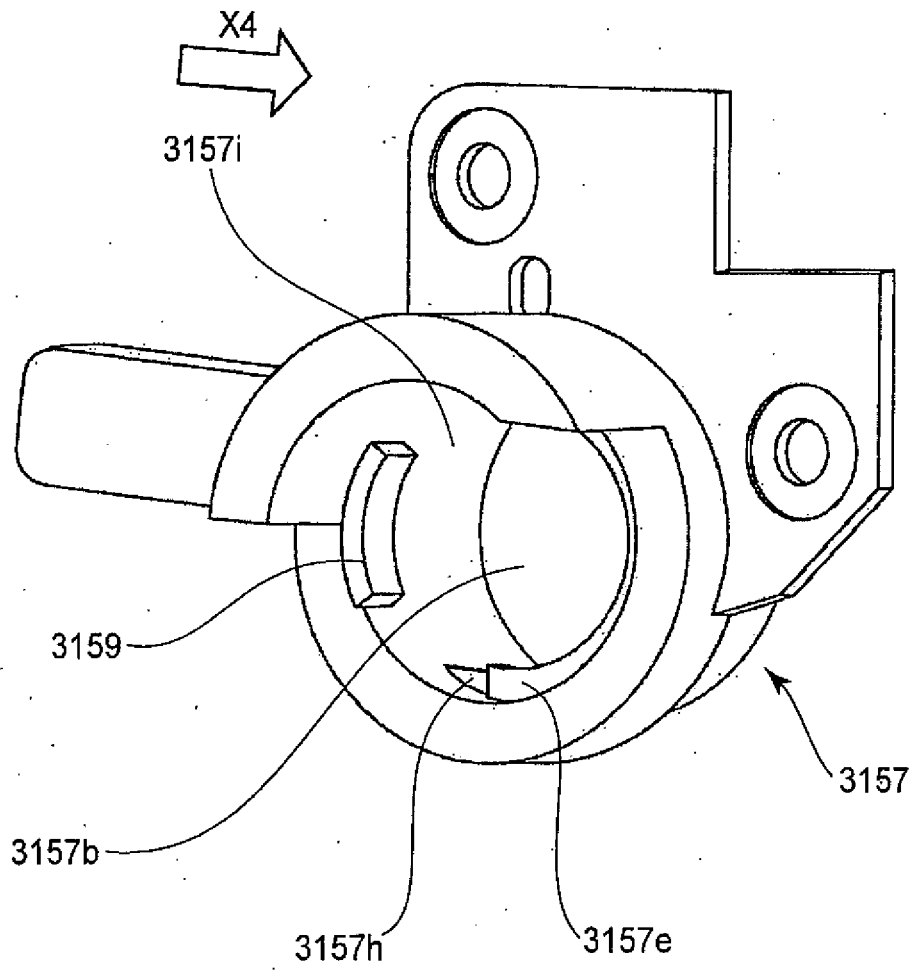
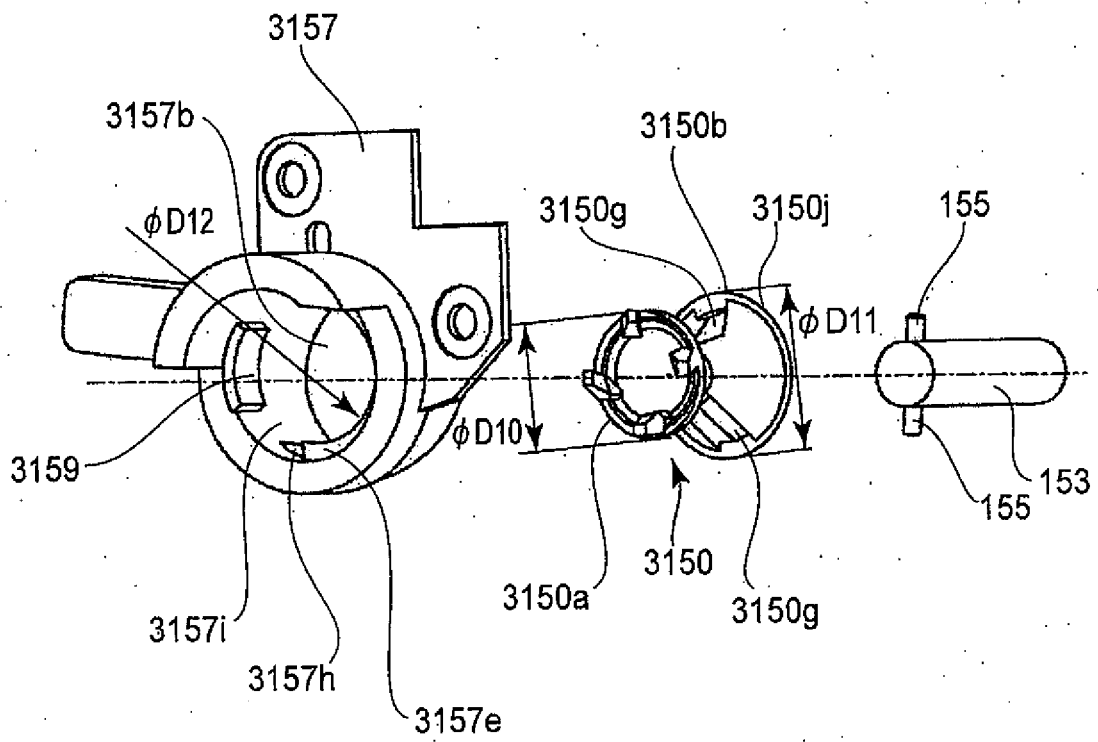


FIG.46

**FIG. 47**

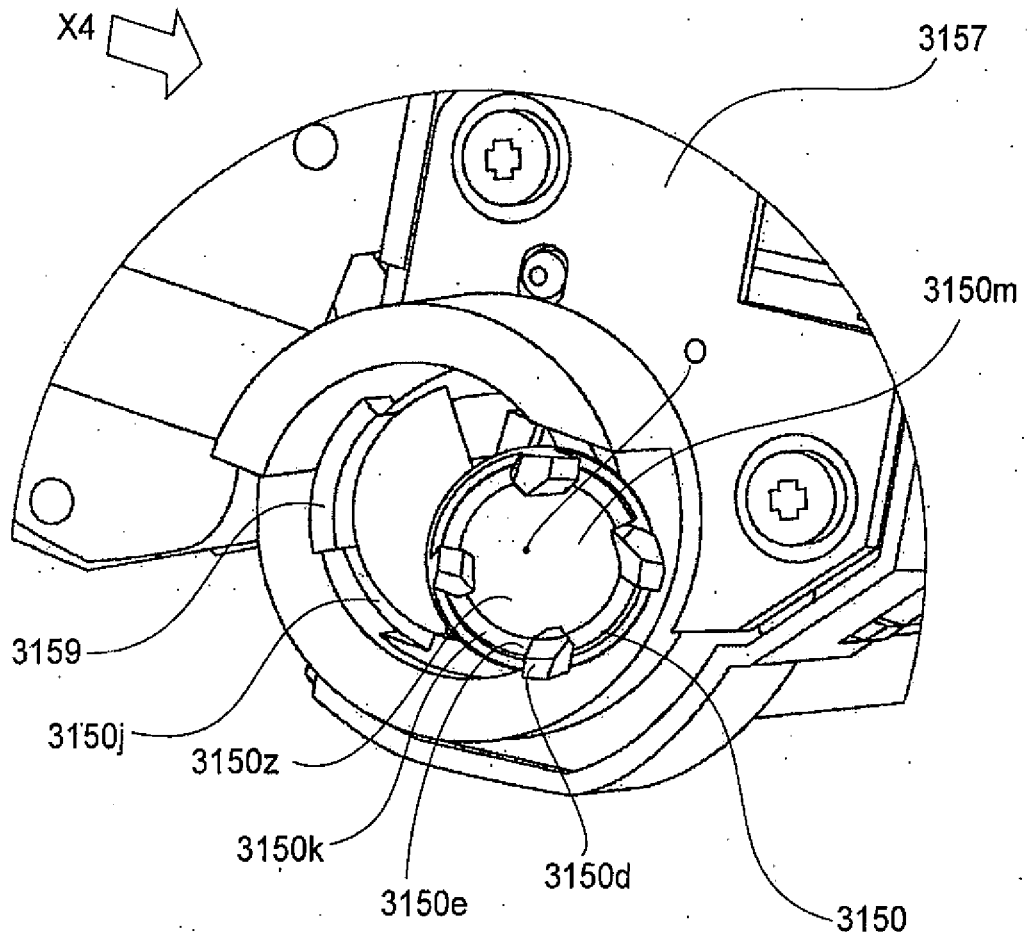


FIG. 48

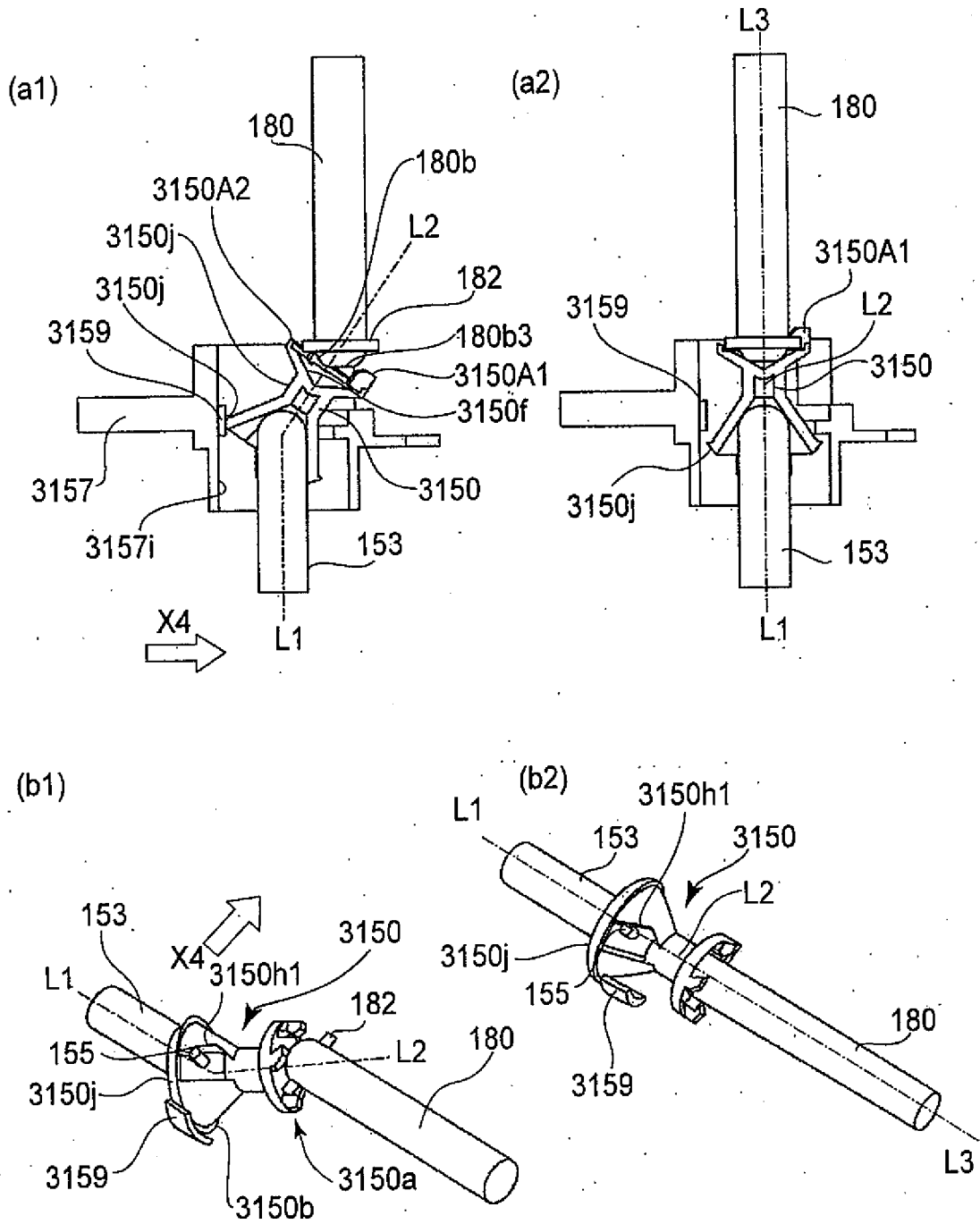


FIG.49

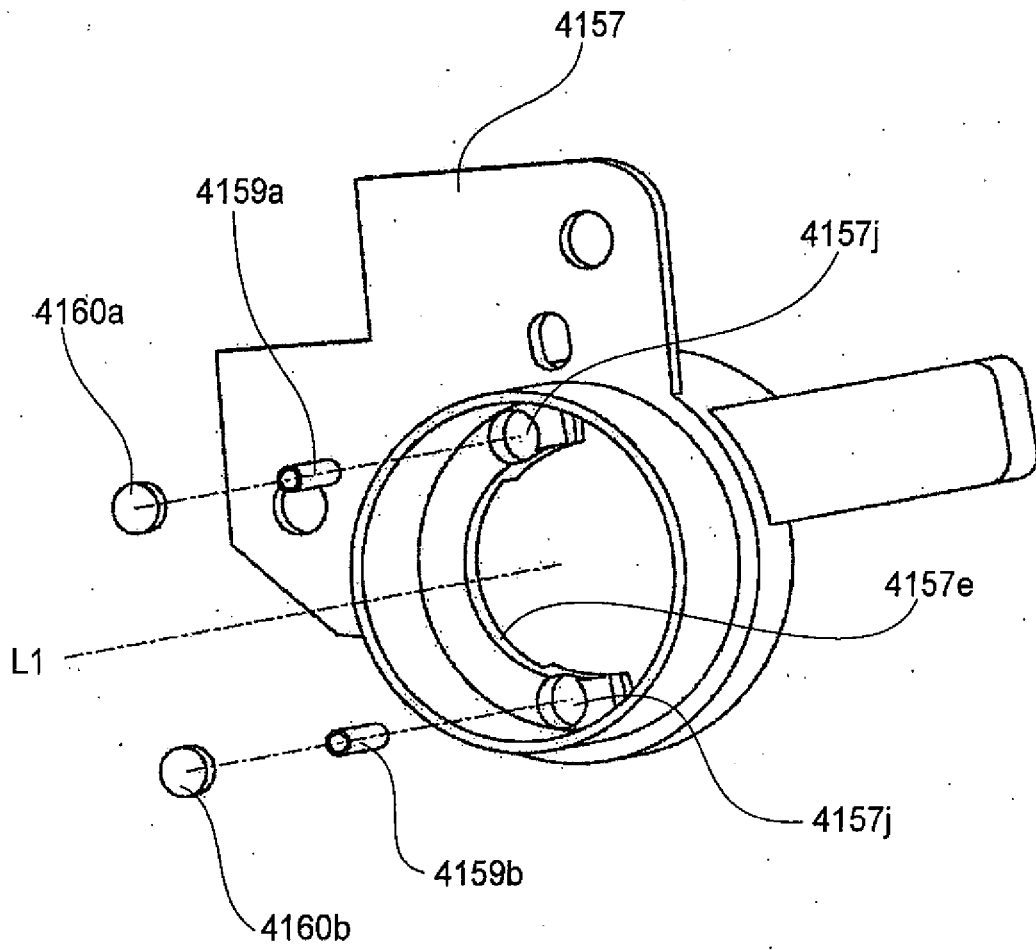


FIG. 50

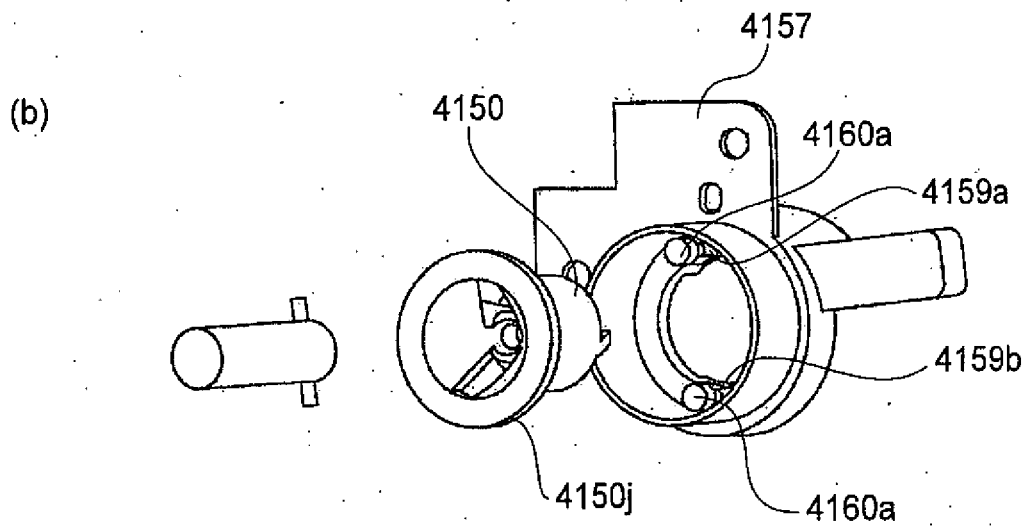
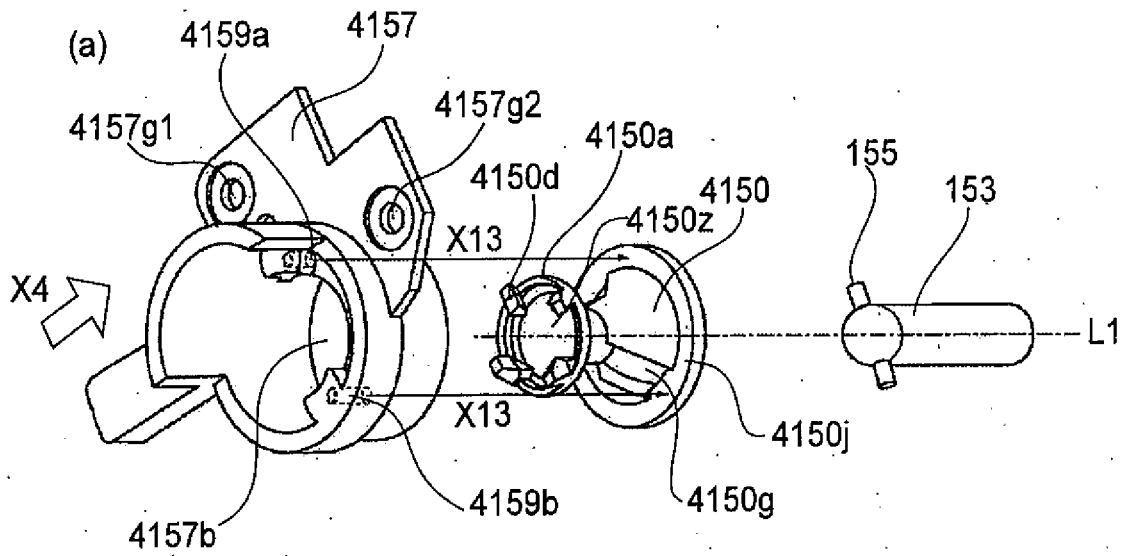


FIG. 51

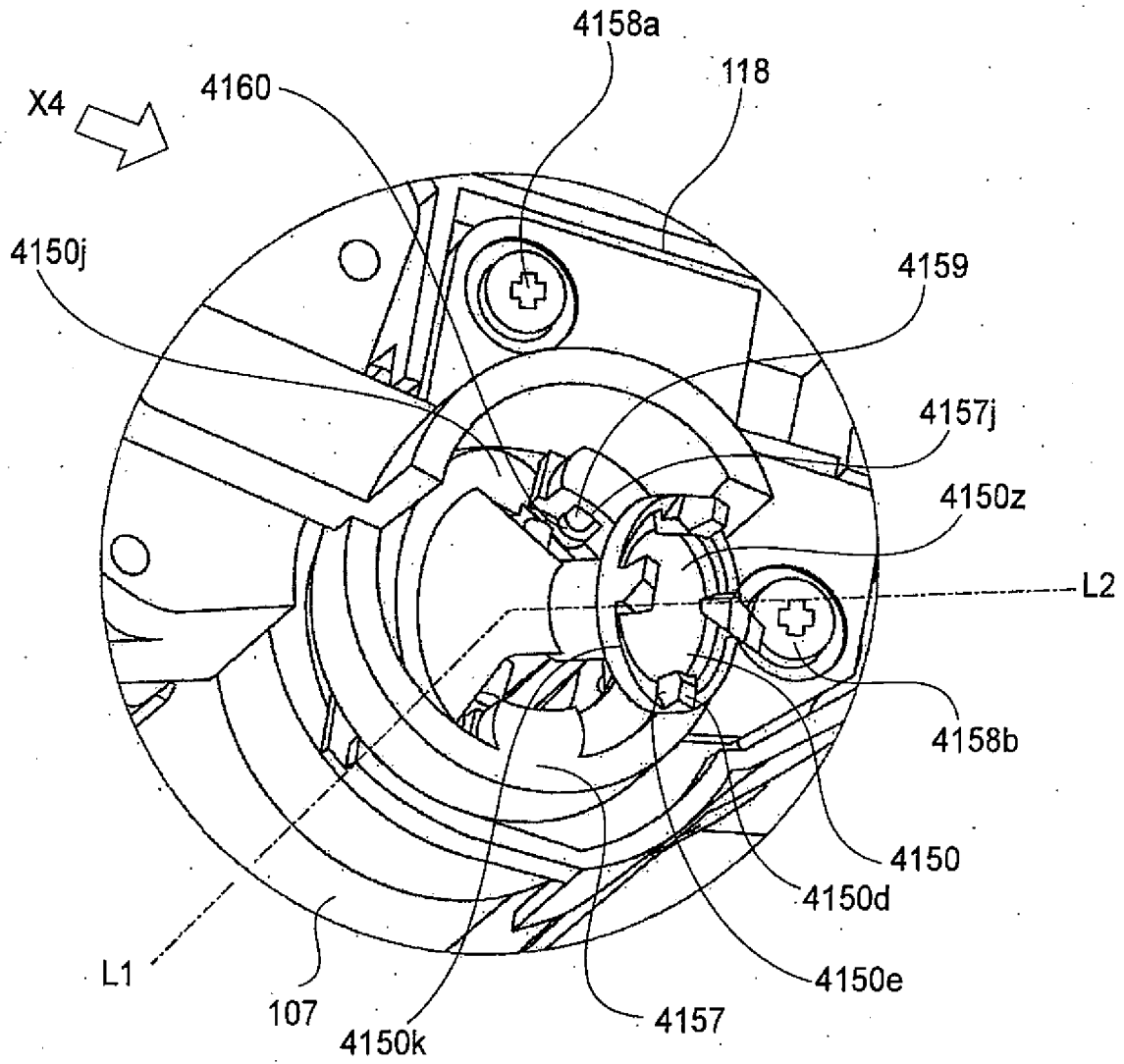


FIG. 52

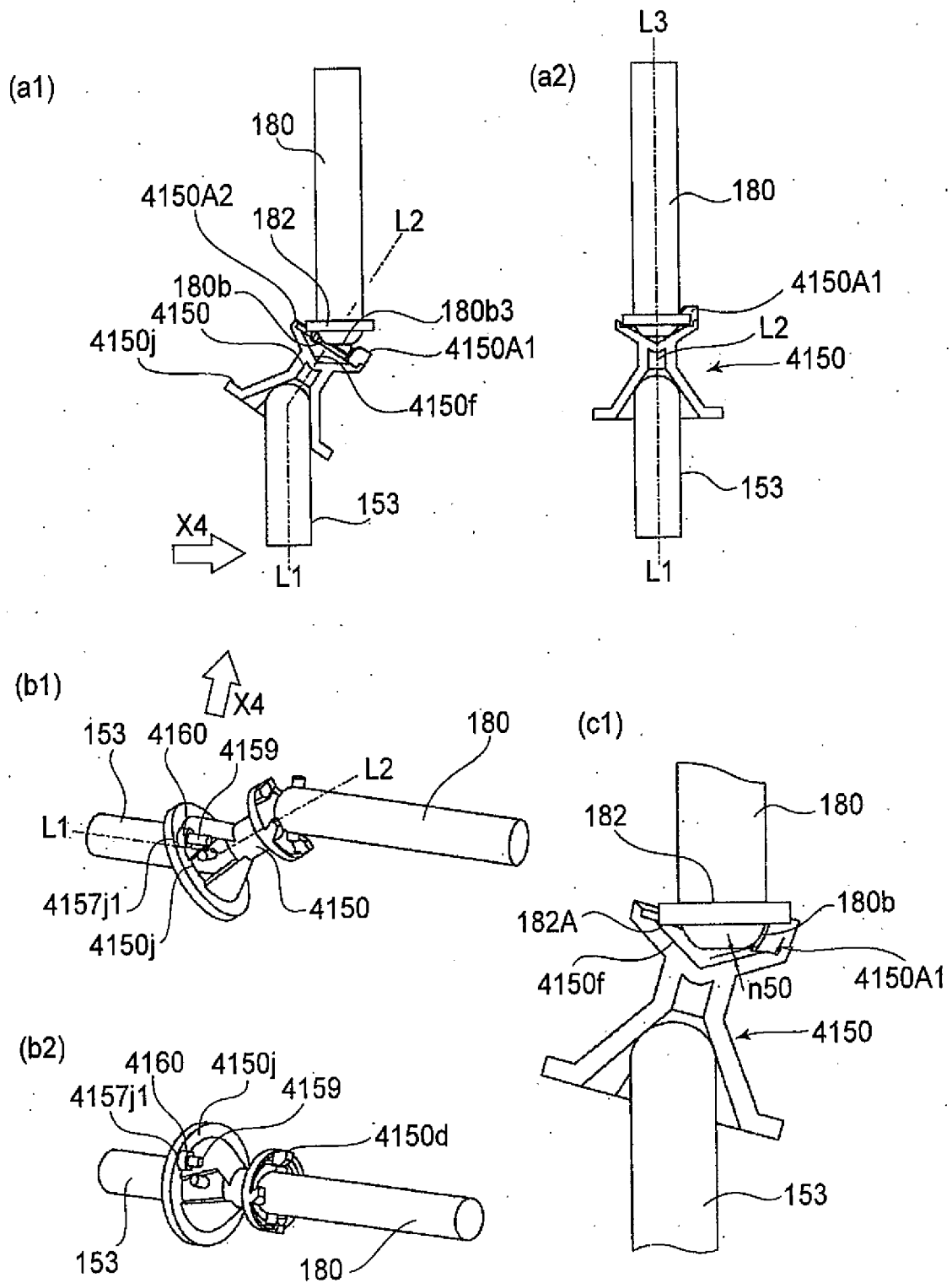


FIG.53

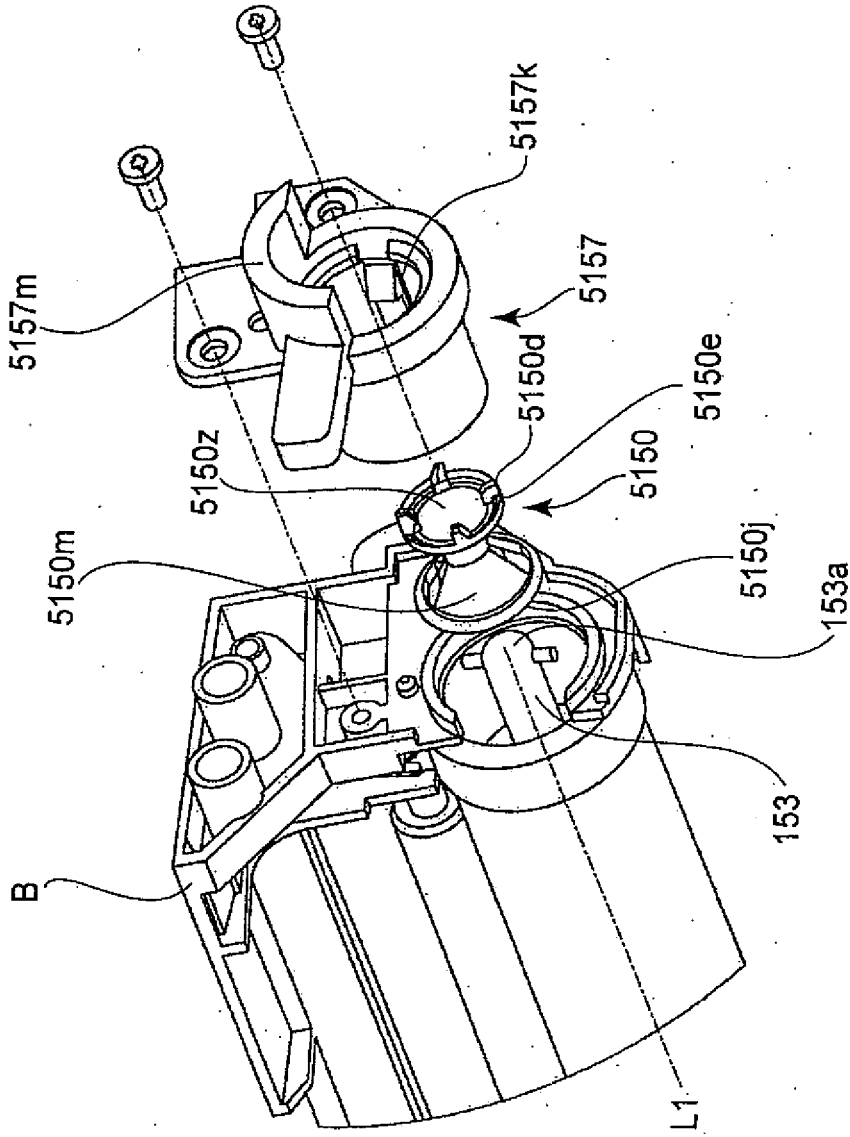


FIG. 54

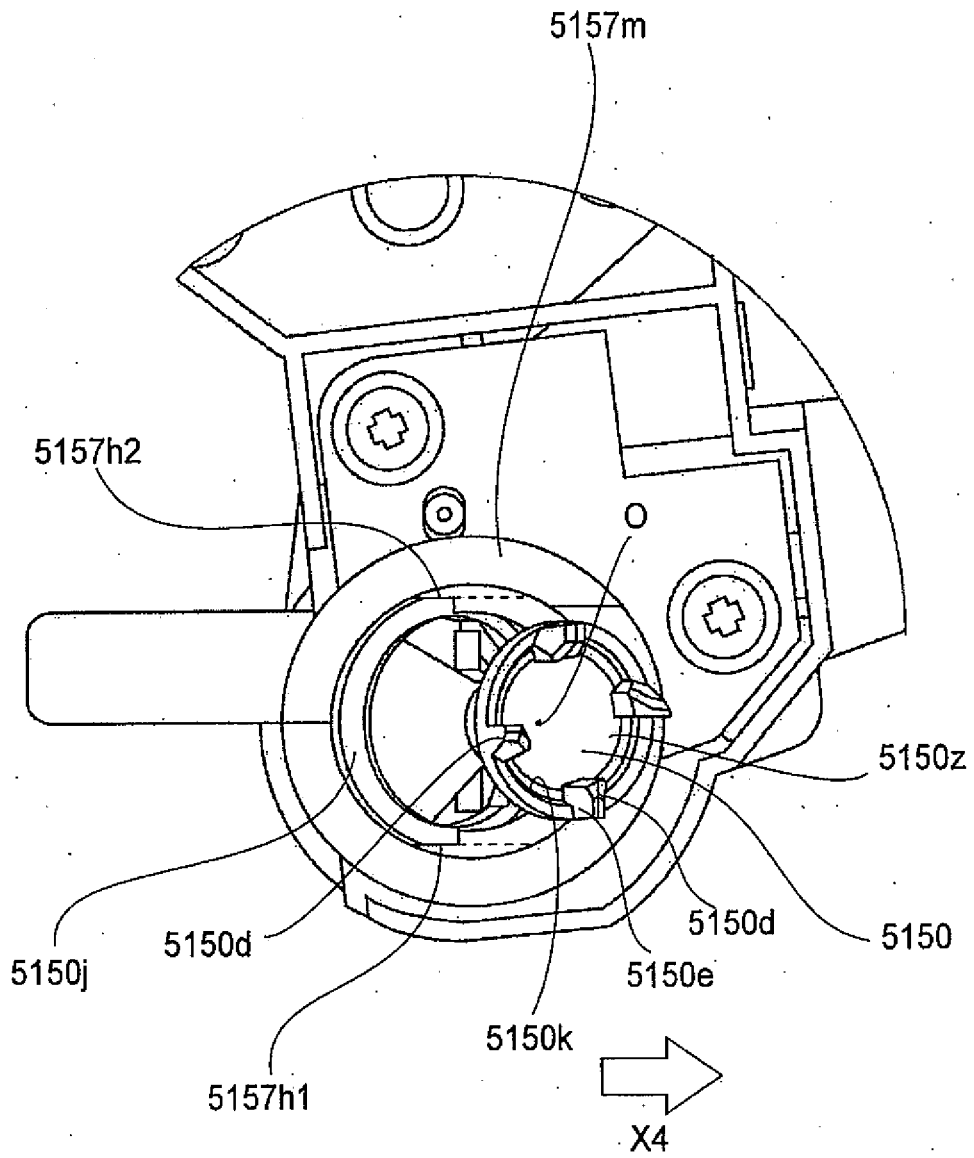
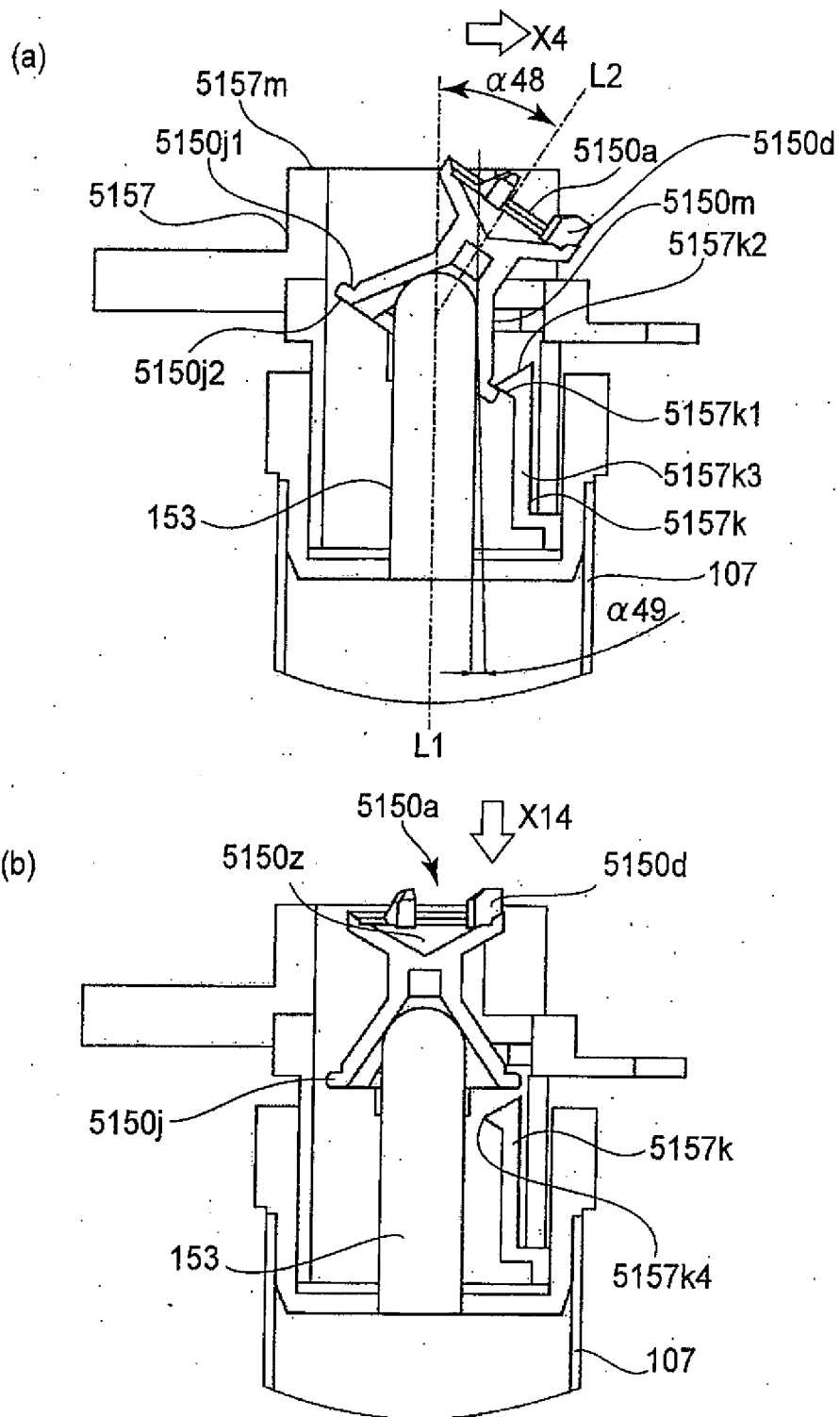


FIG.55



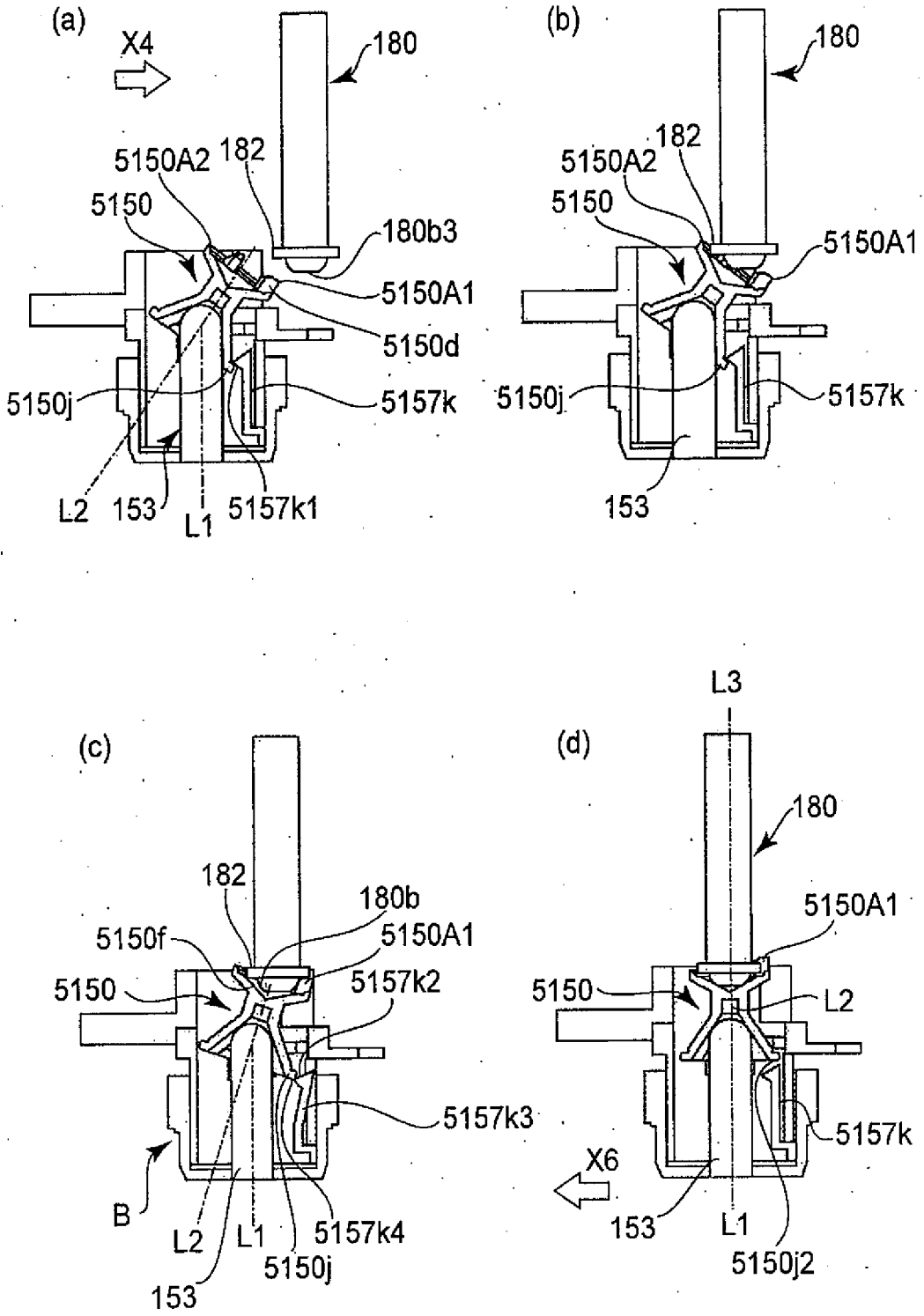


FIG.57

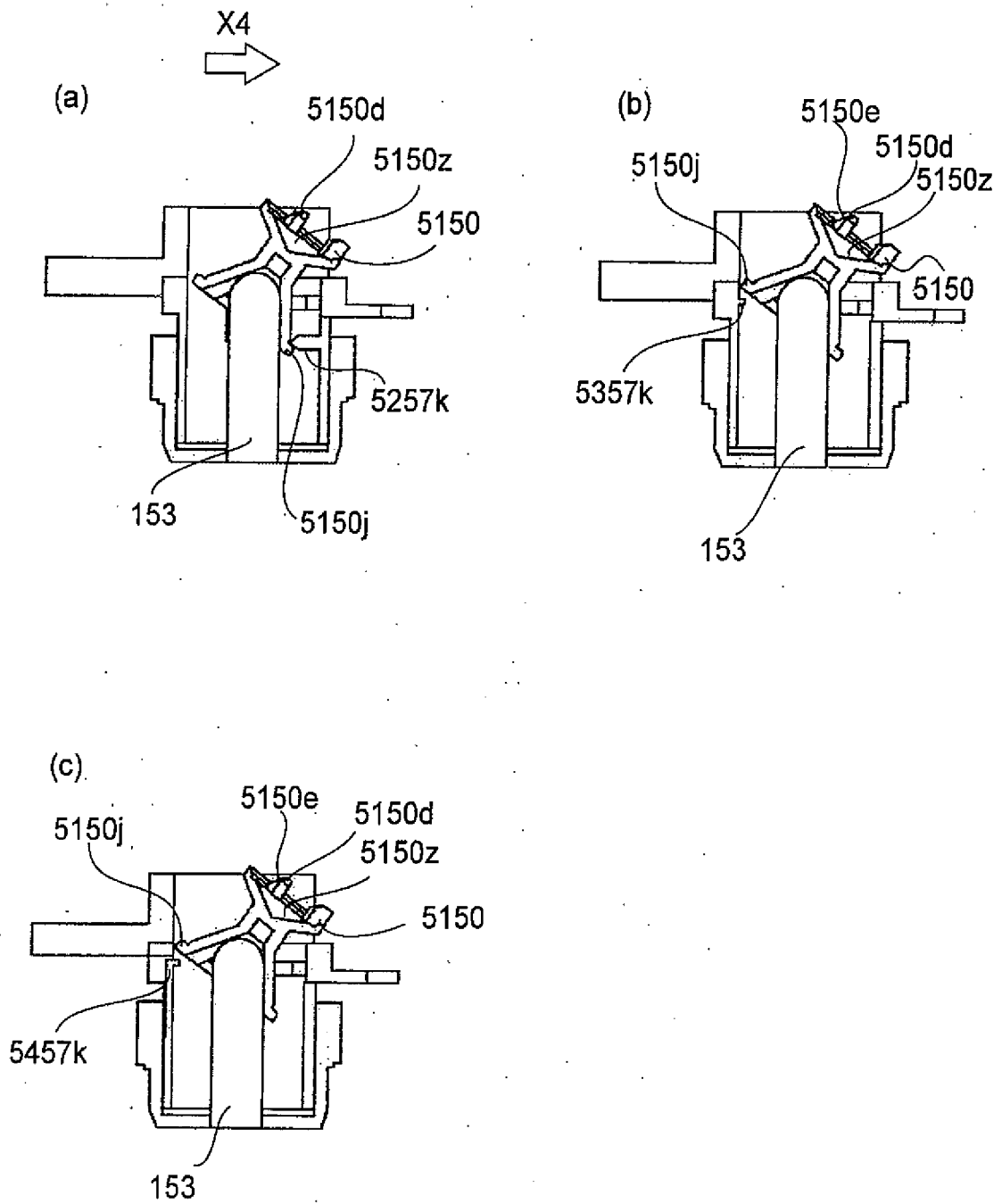


FIG.58

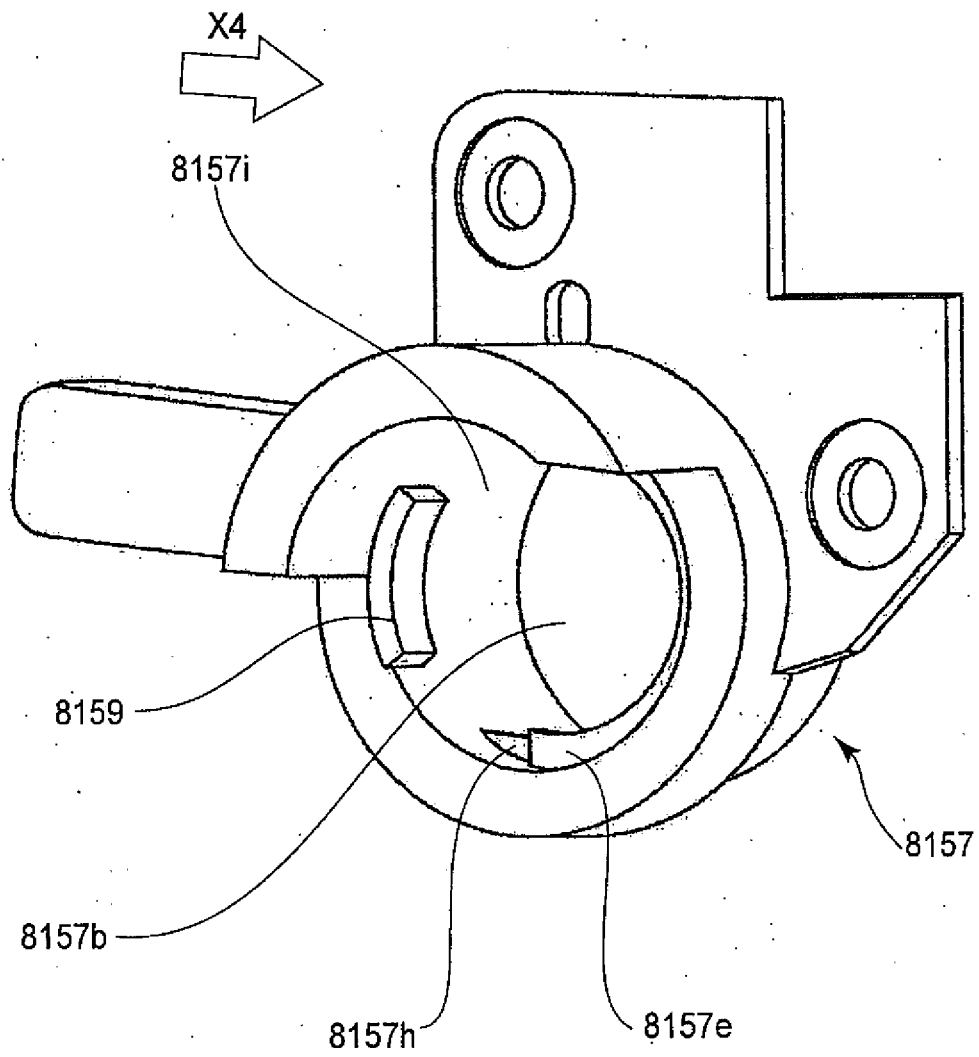


FIG. 59

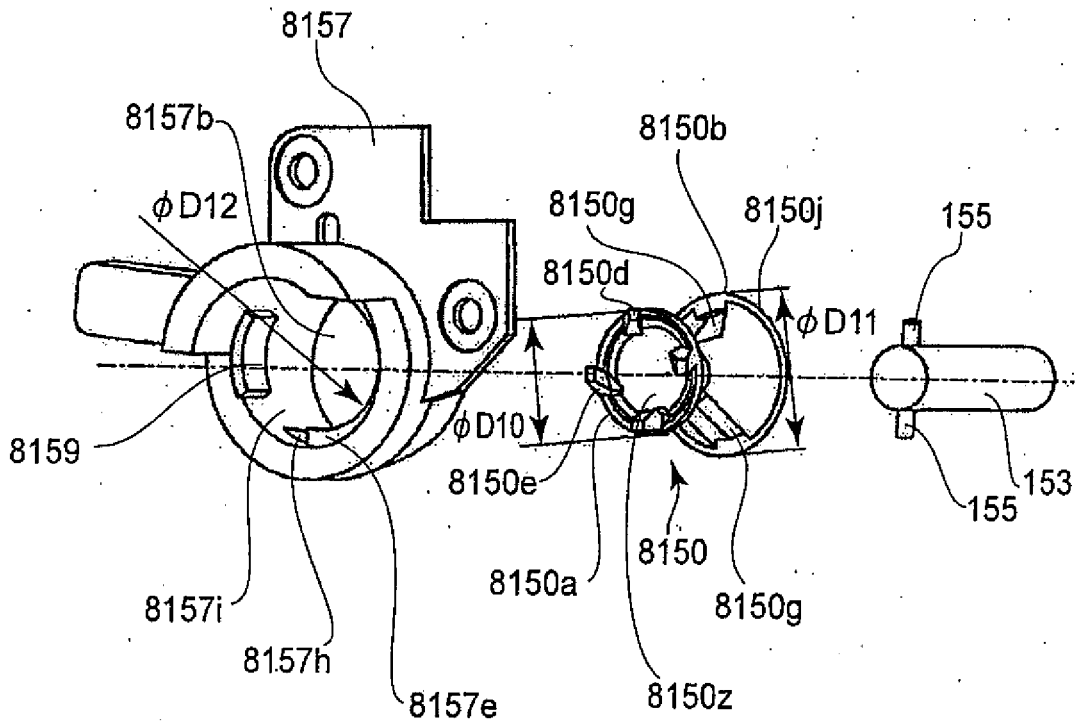


FIG. 60

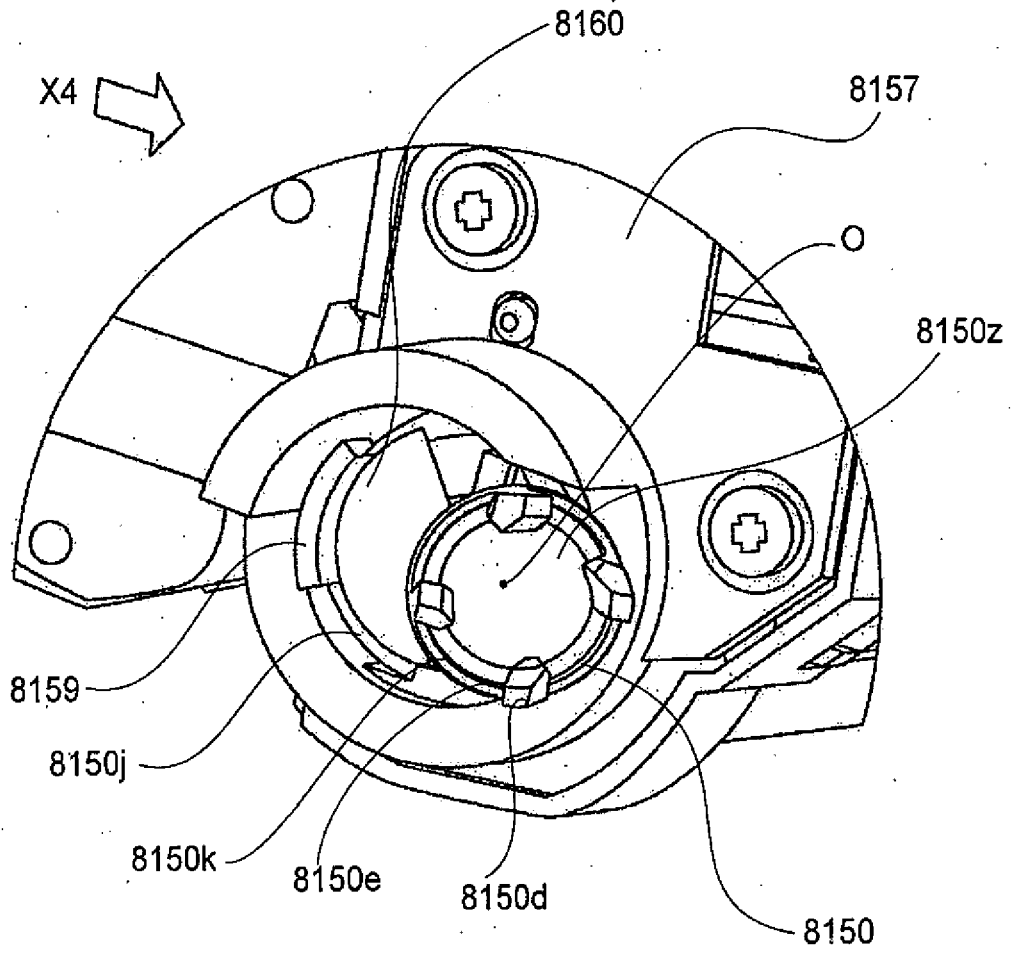


FIG. 61

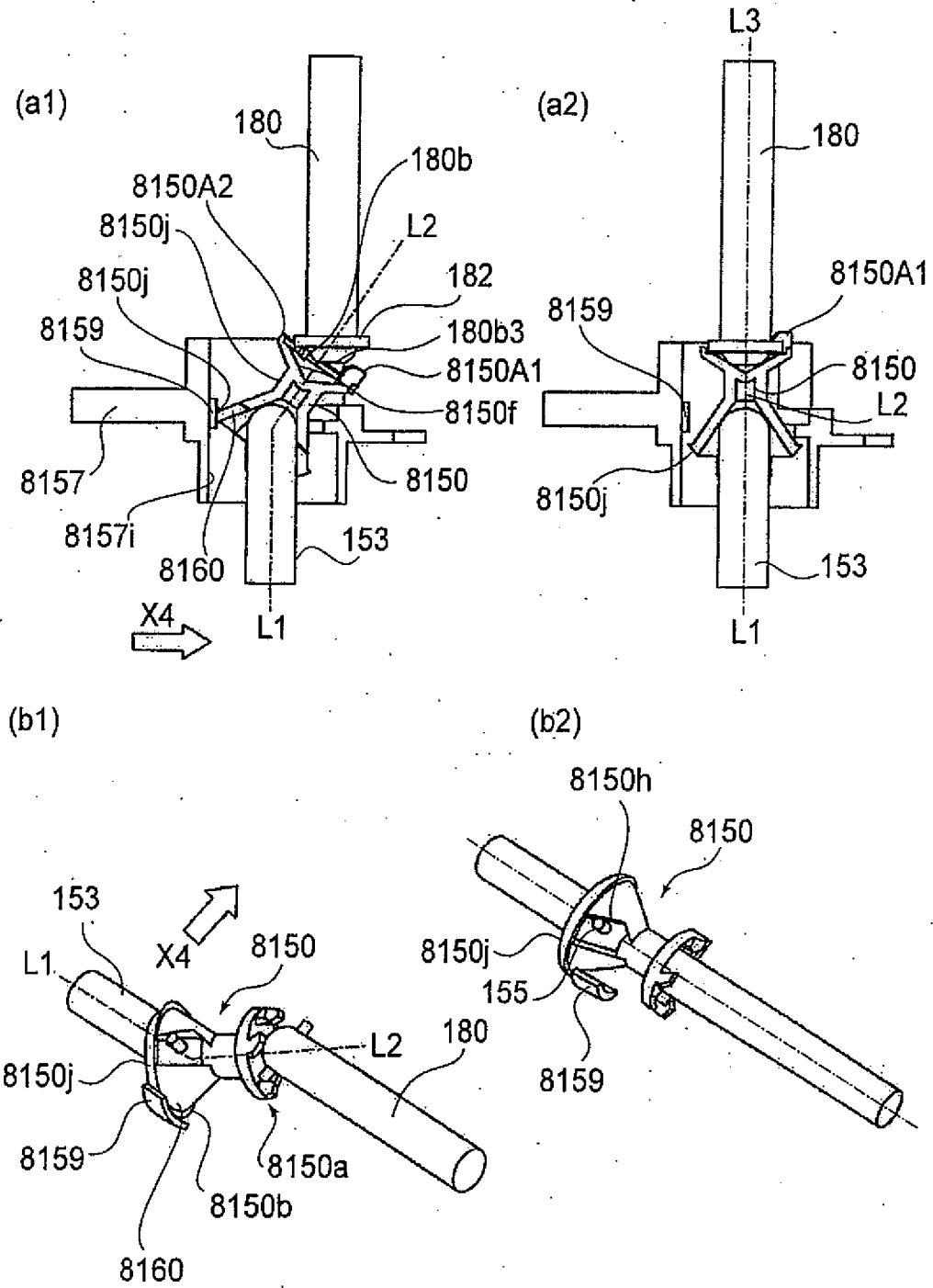


FIG.62

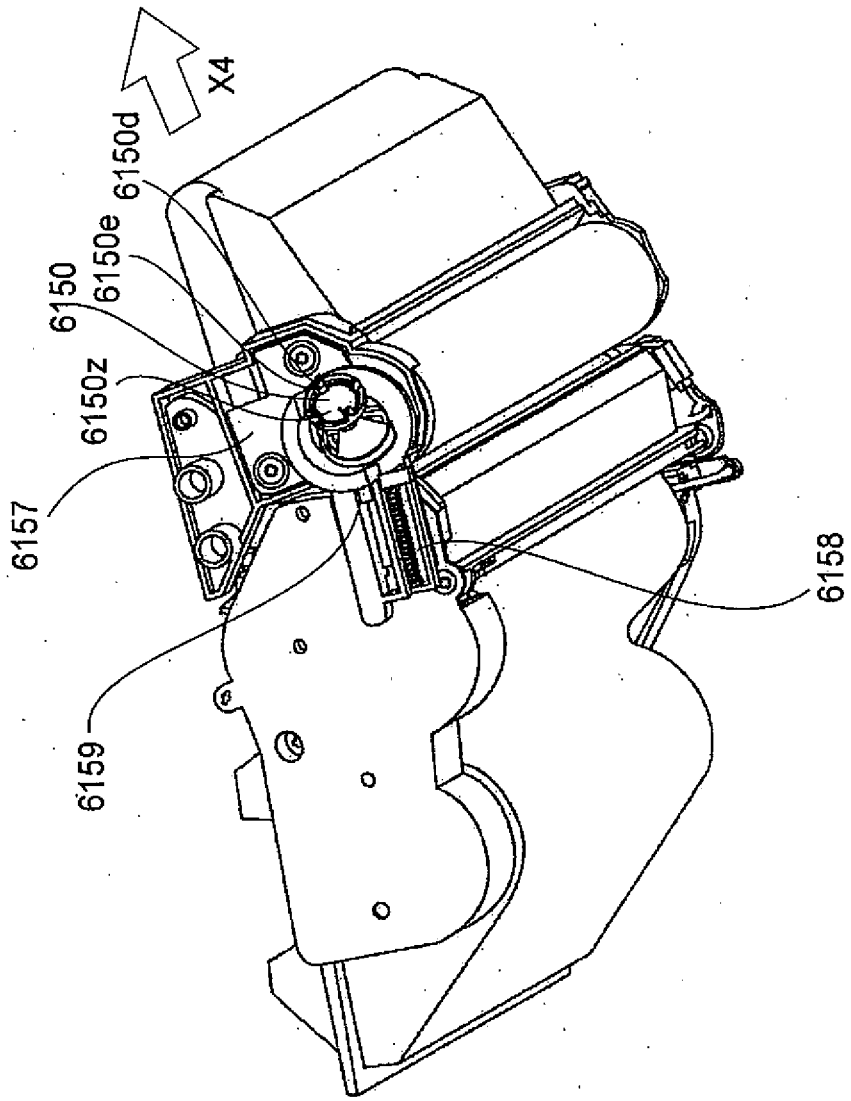


FIG. 63

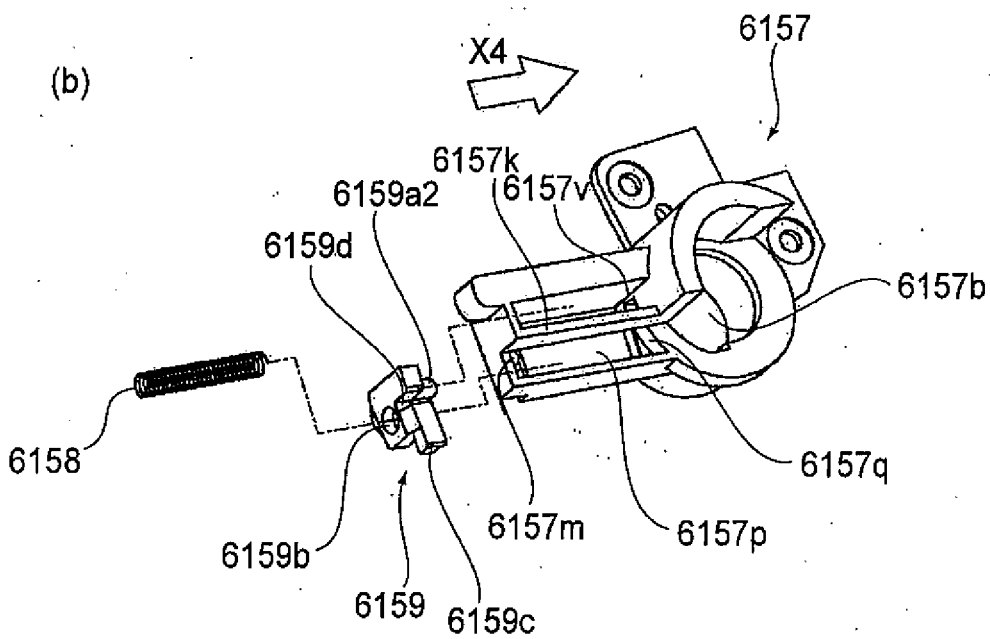
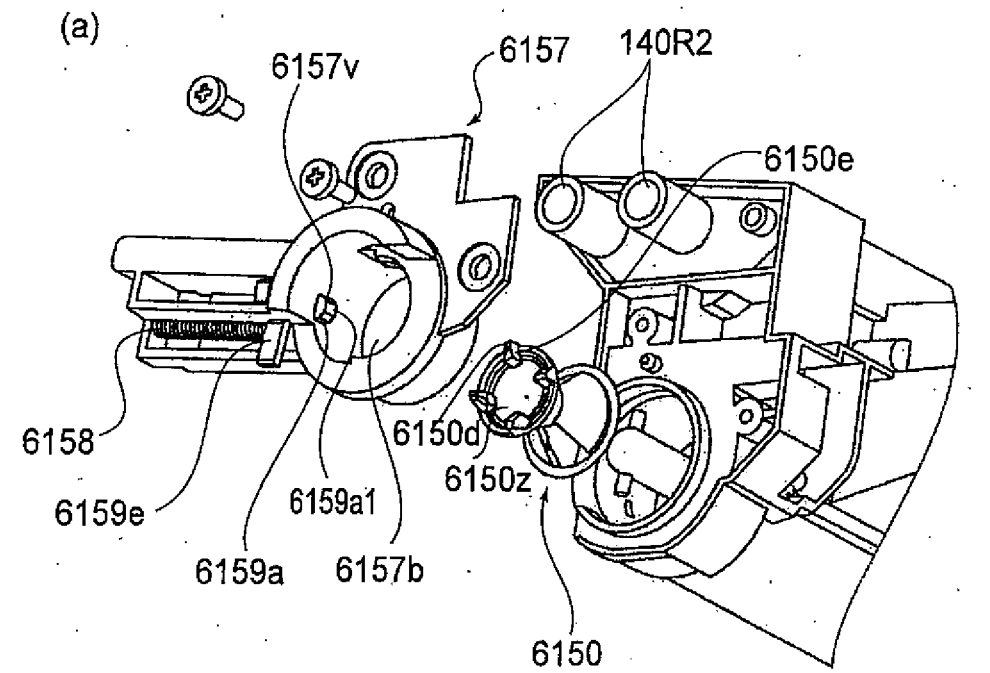


FIG. 64

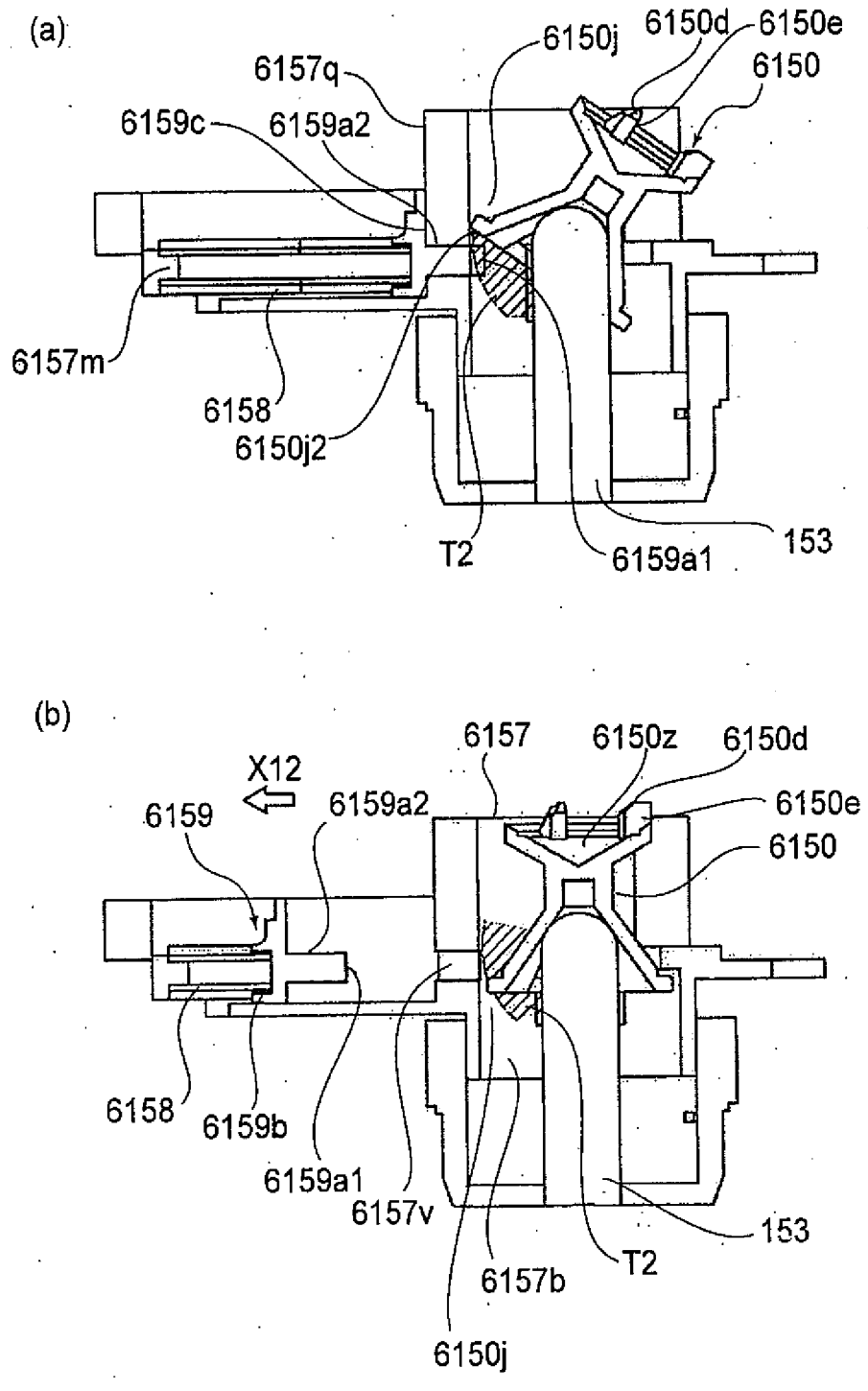


FIG. 65

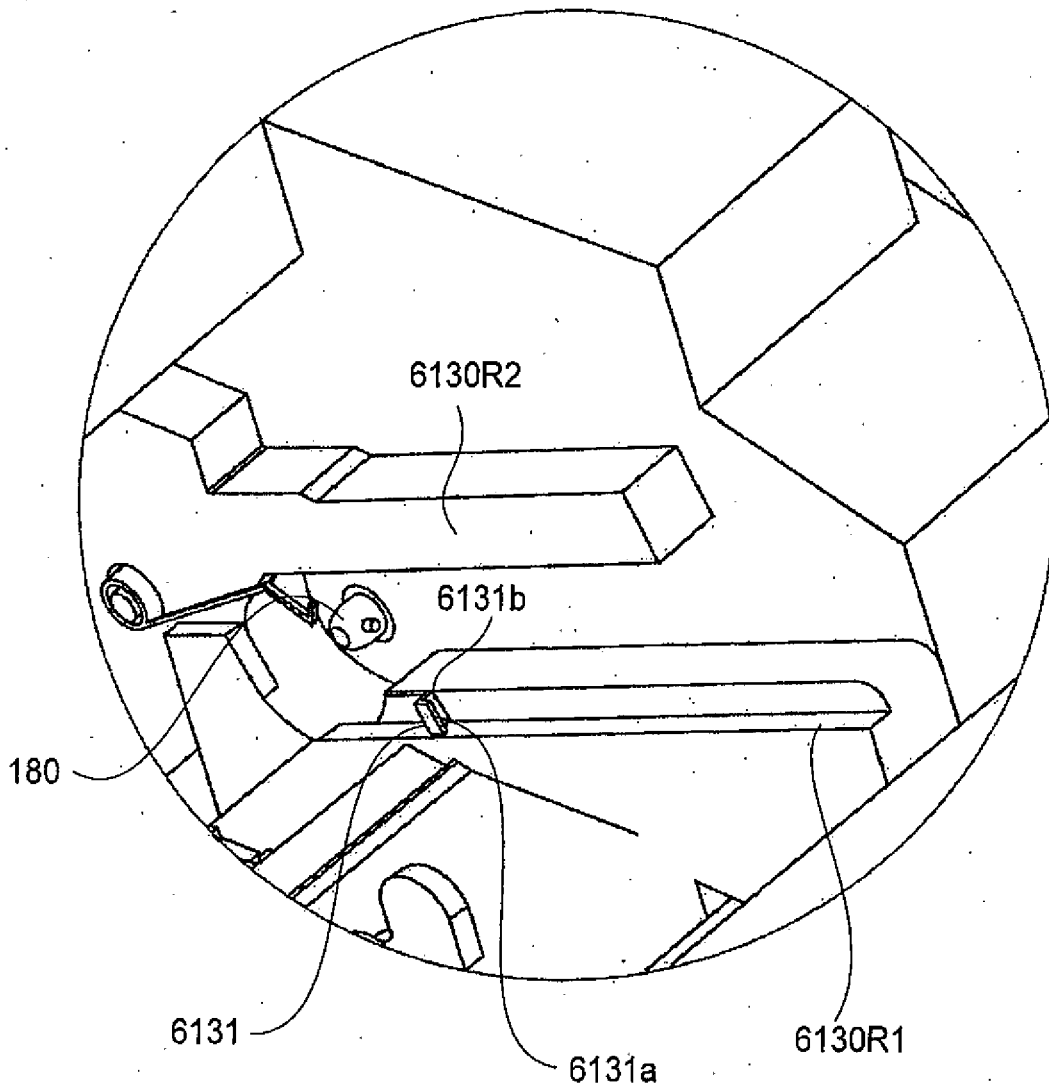


FIG. 66

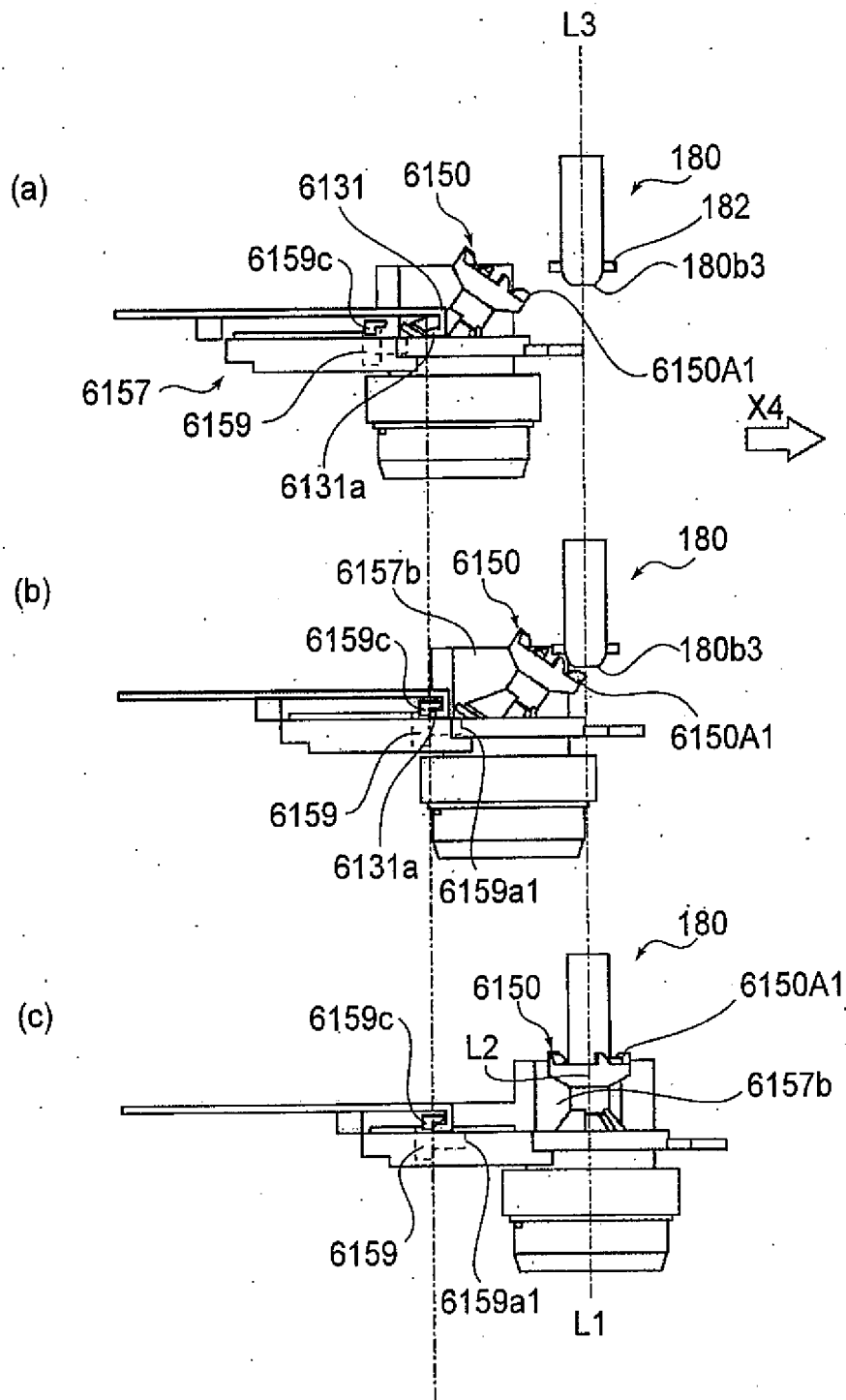


FIG.67

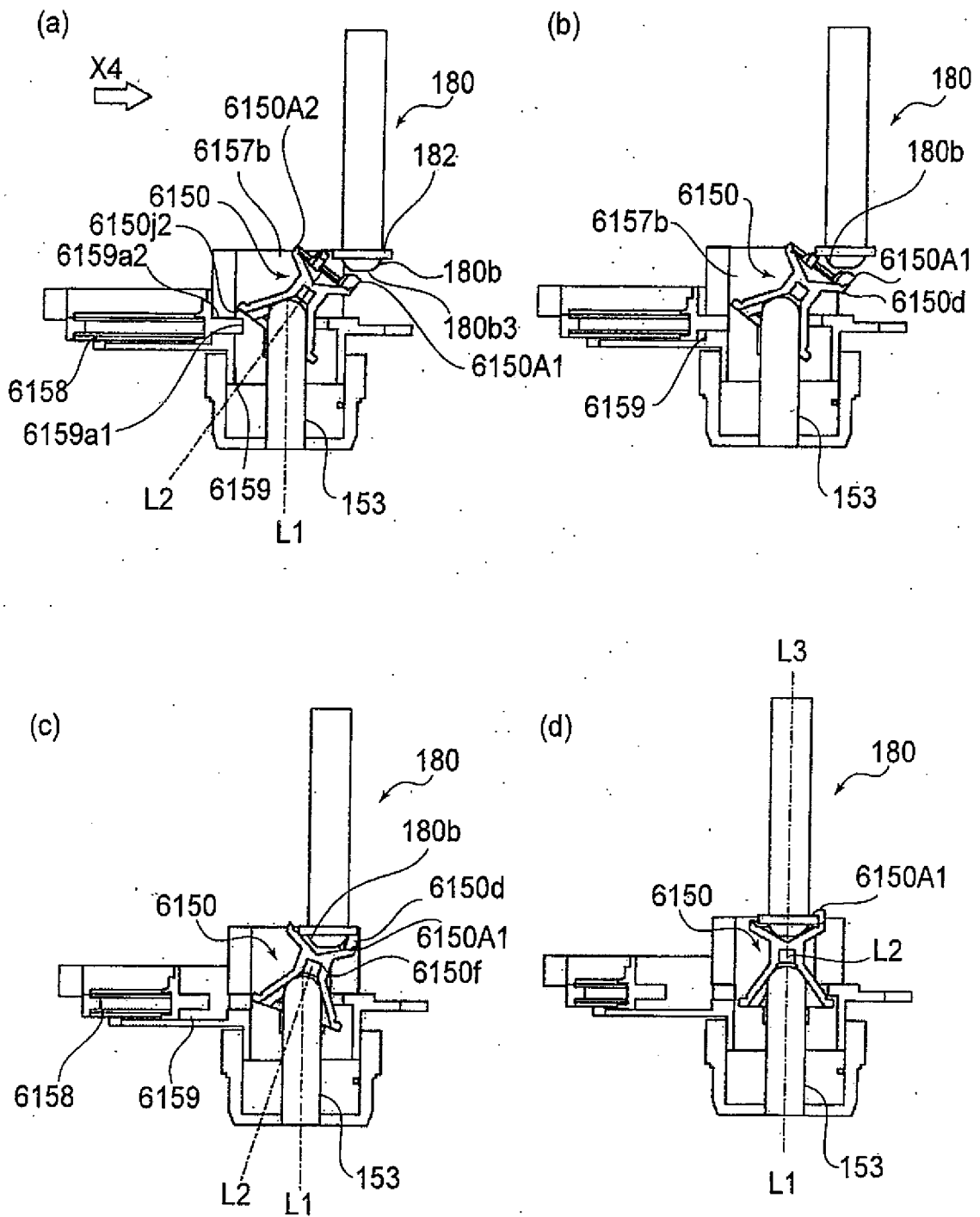


FIG. 68

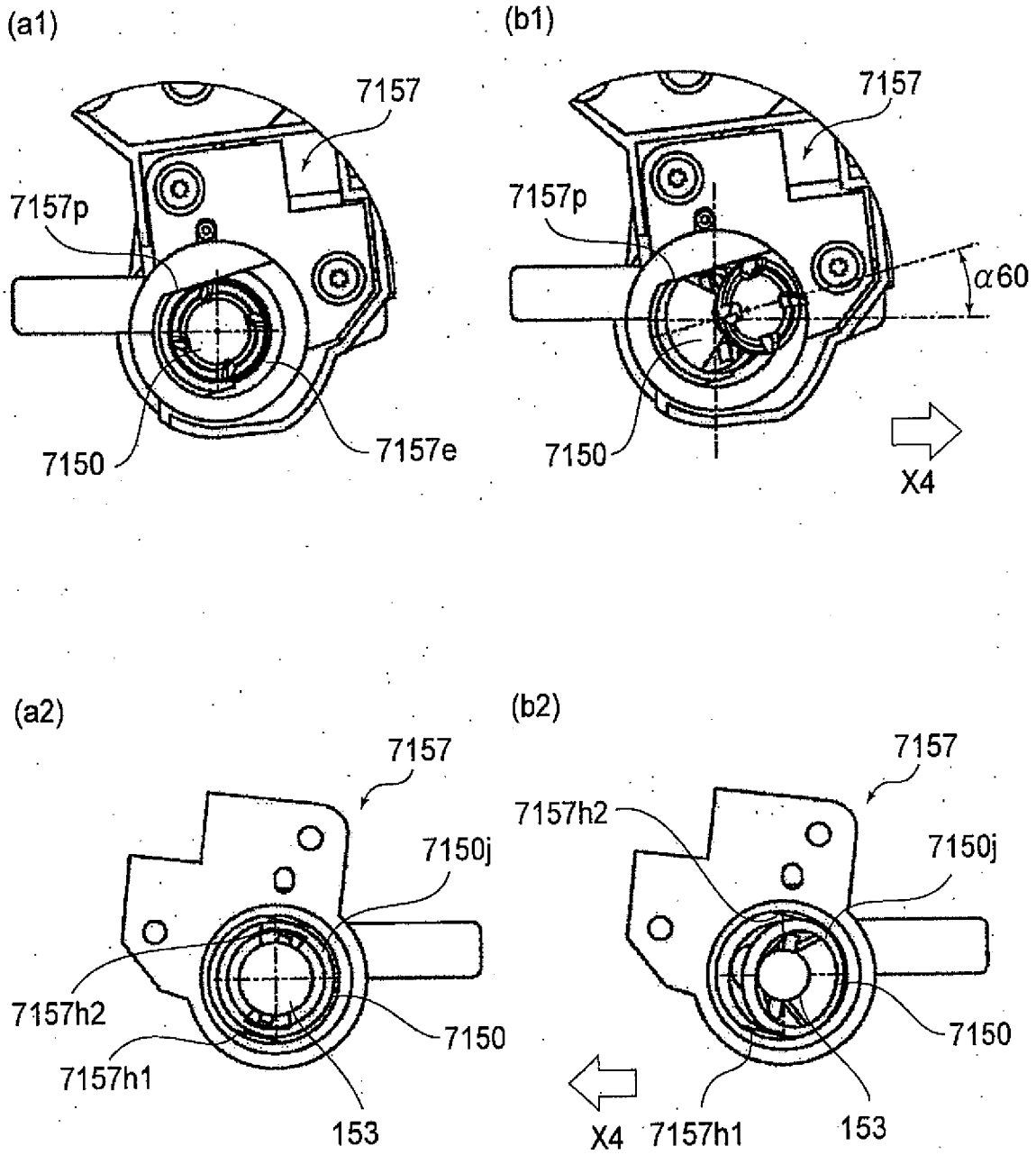


FIG.69

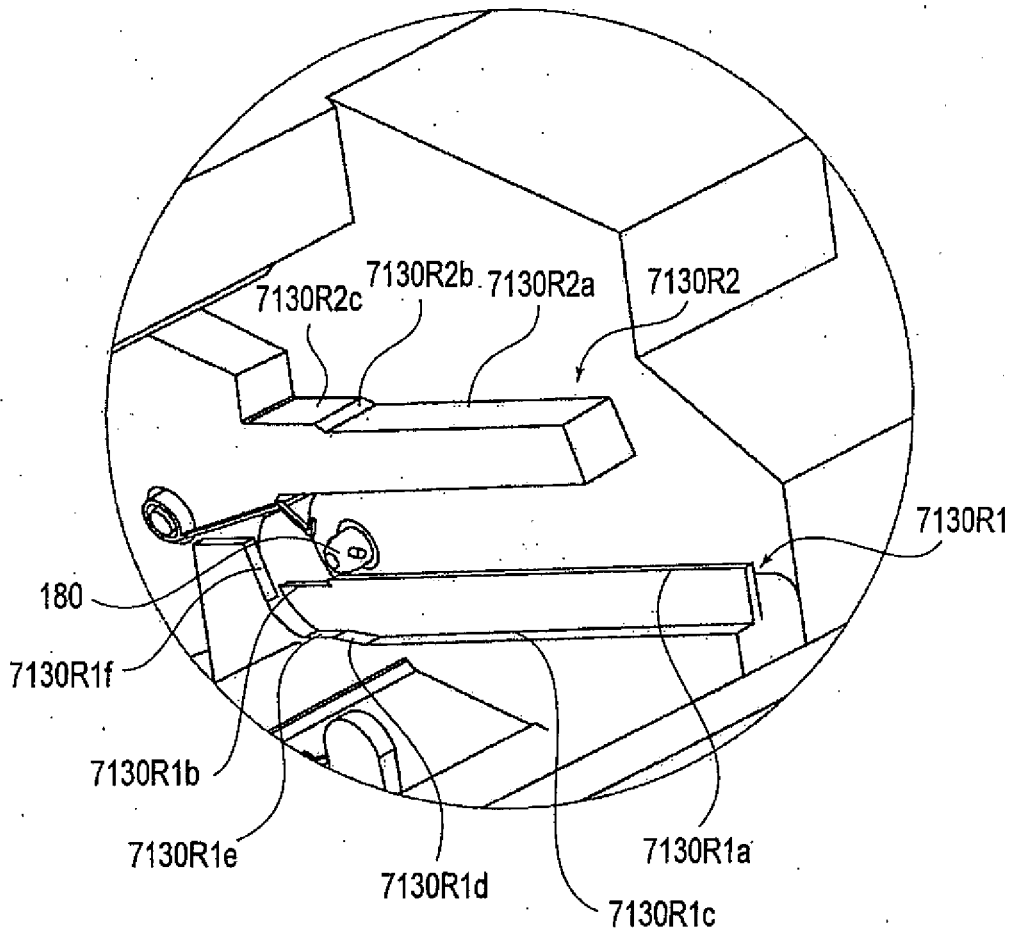


FIG.70

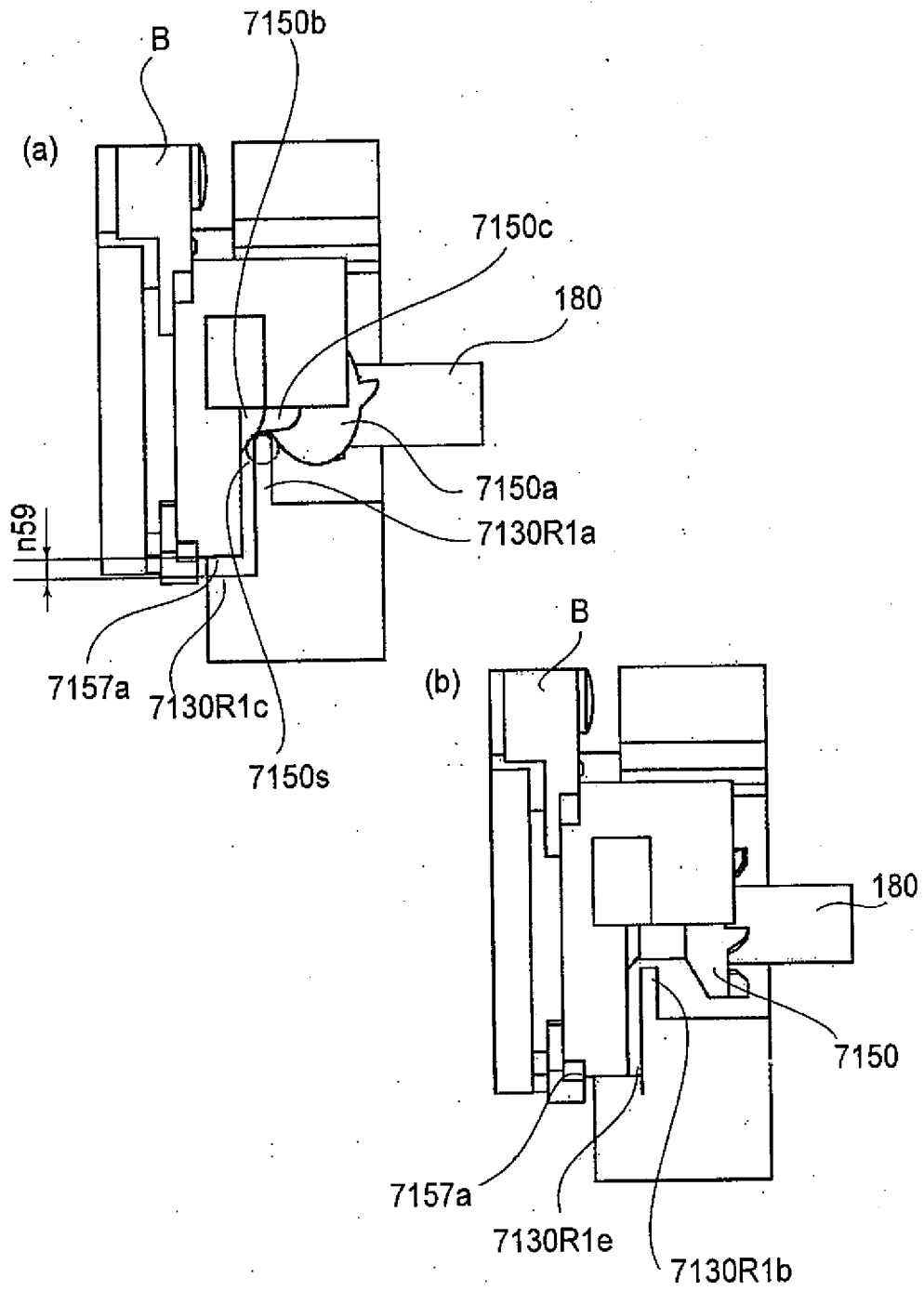


FIG. 71

72/108

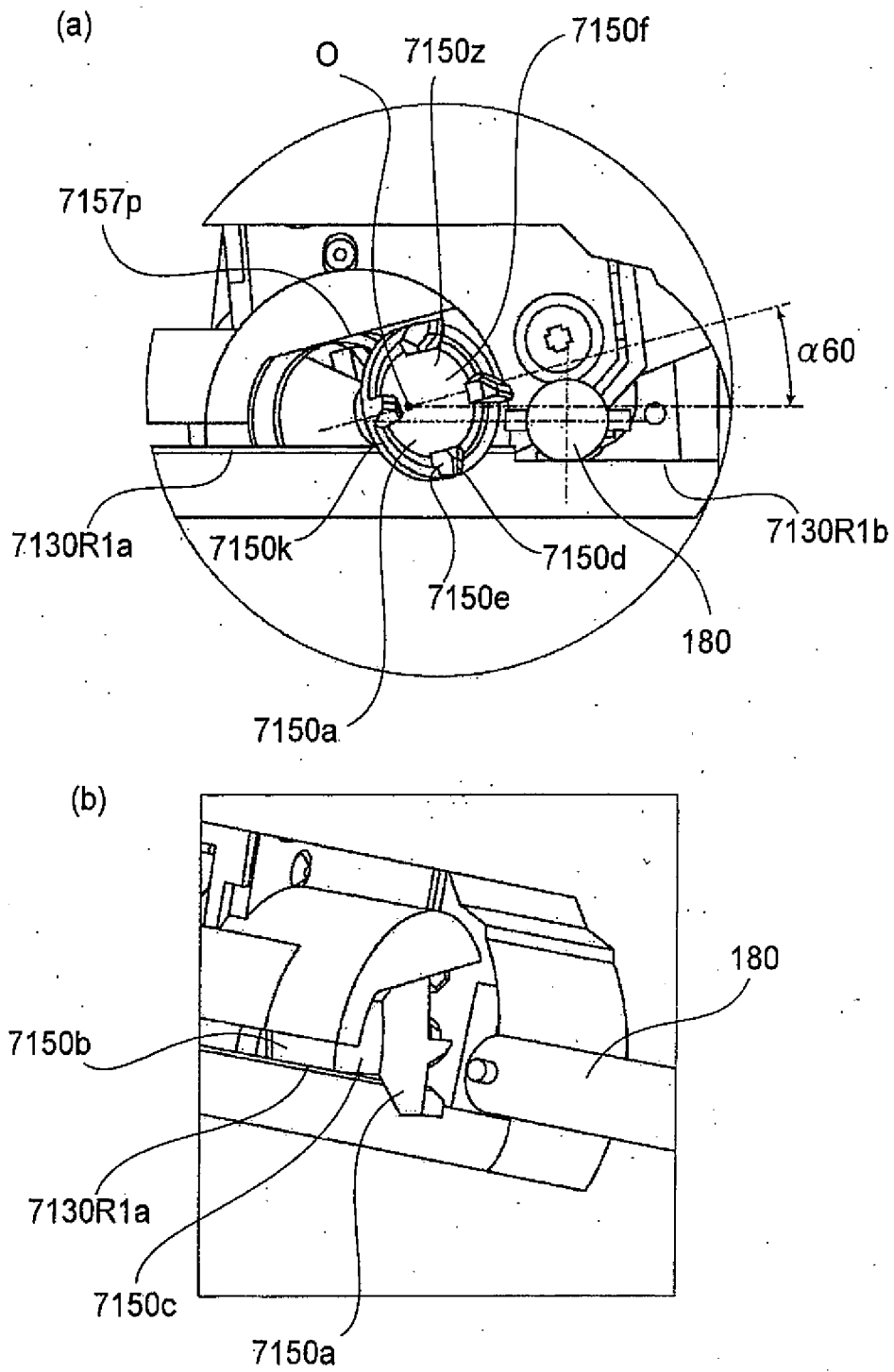
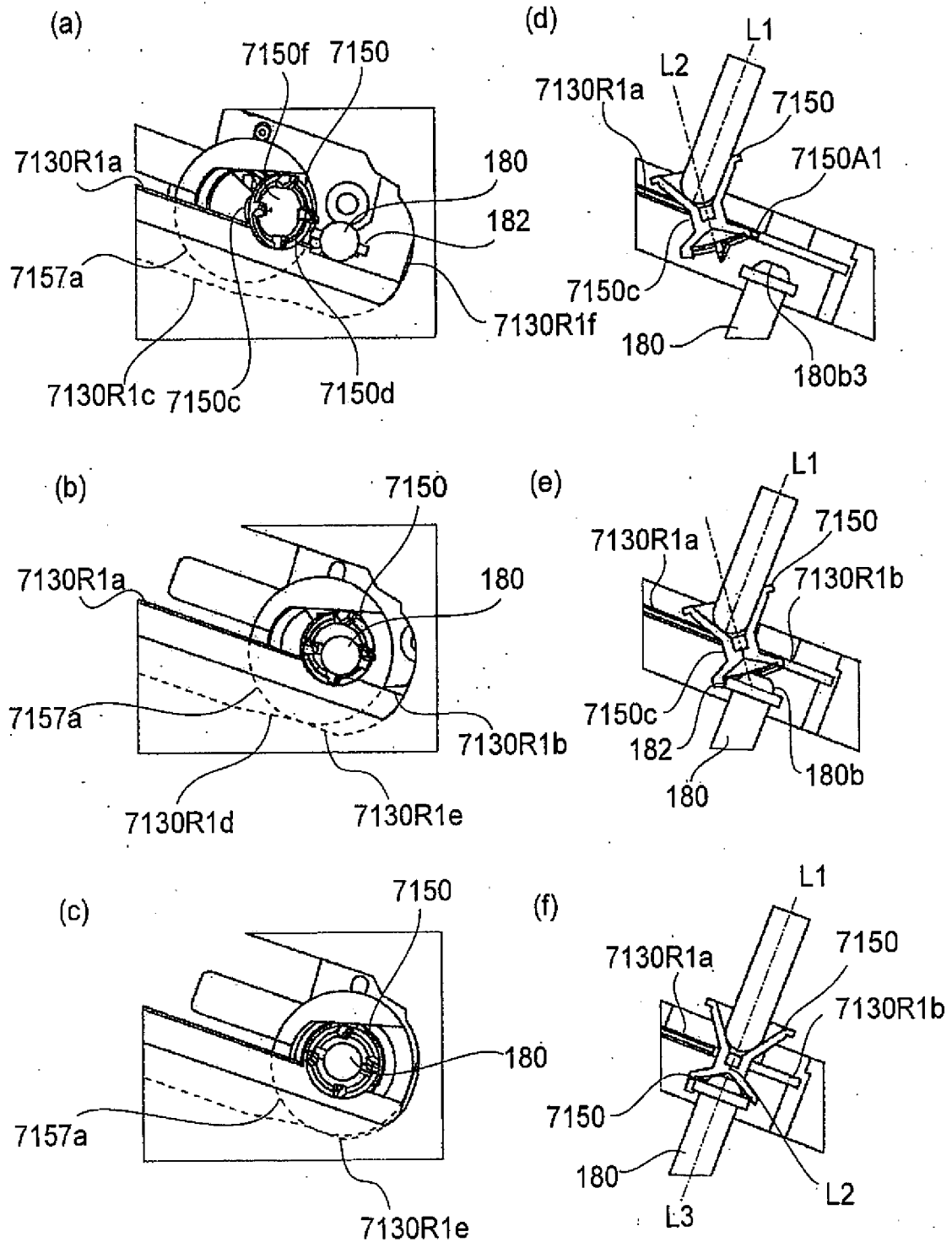


FIG.72

**FIG. 73**

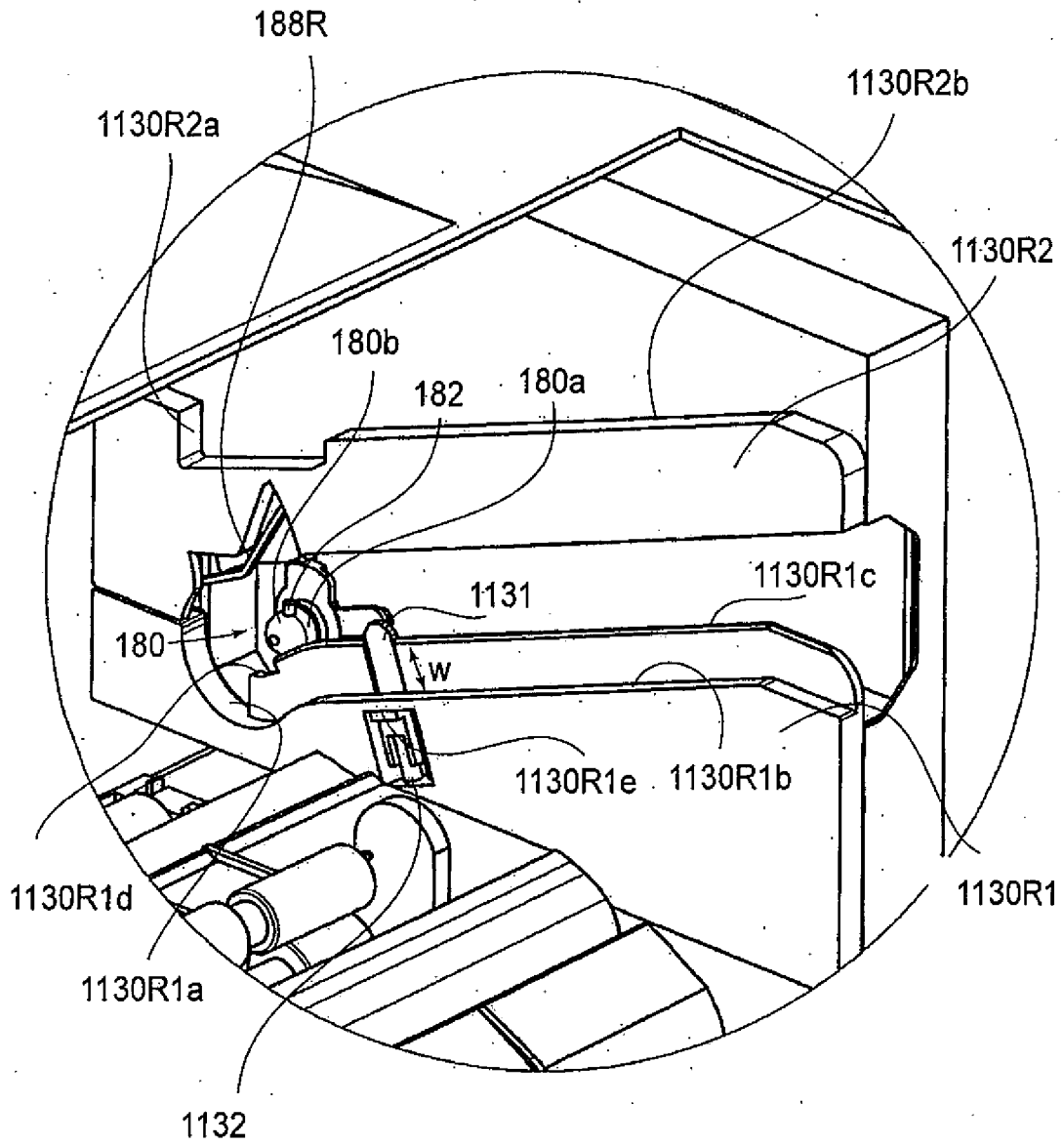


FIG. 74

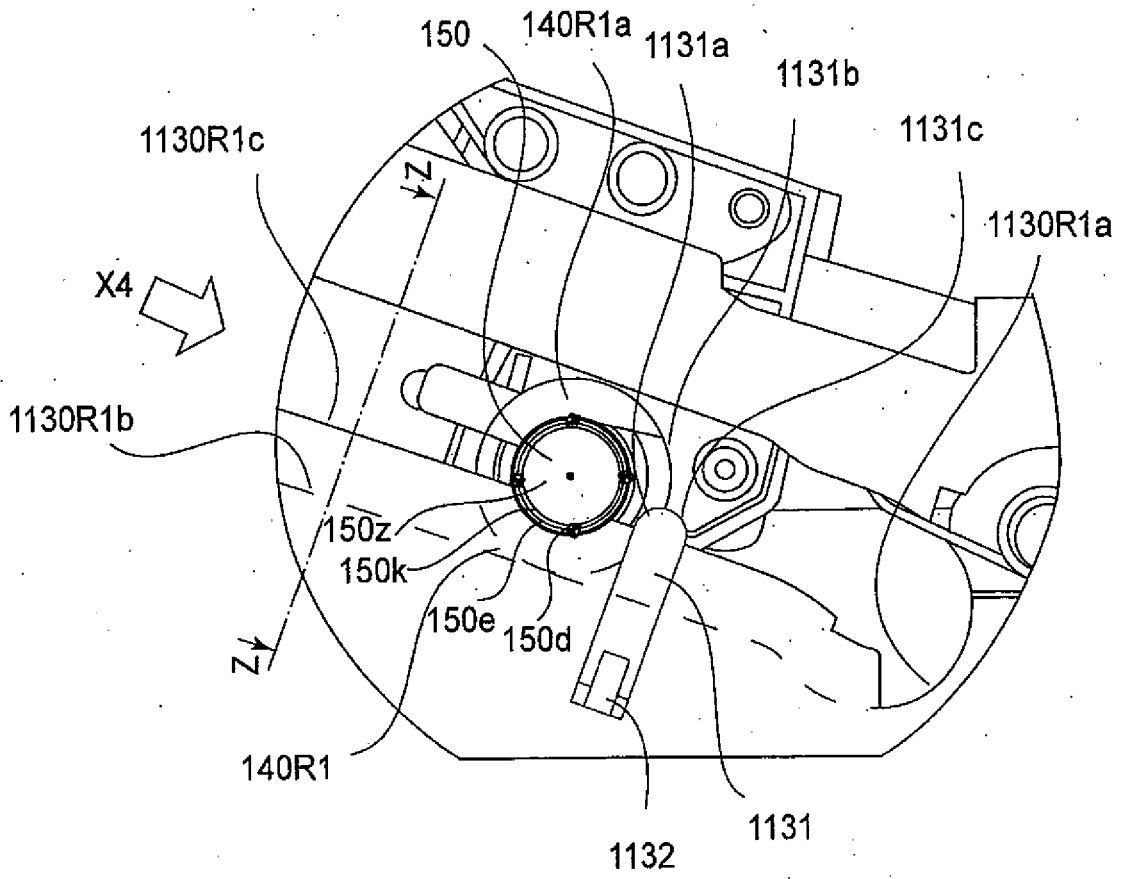


FIG.75

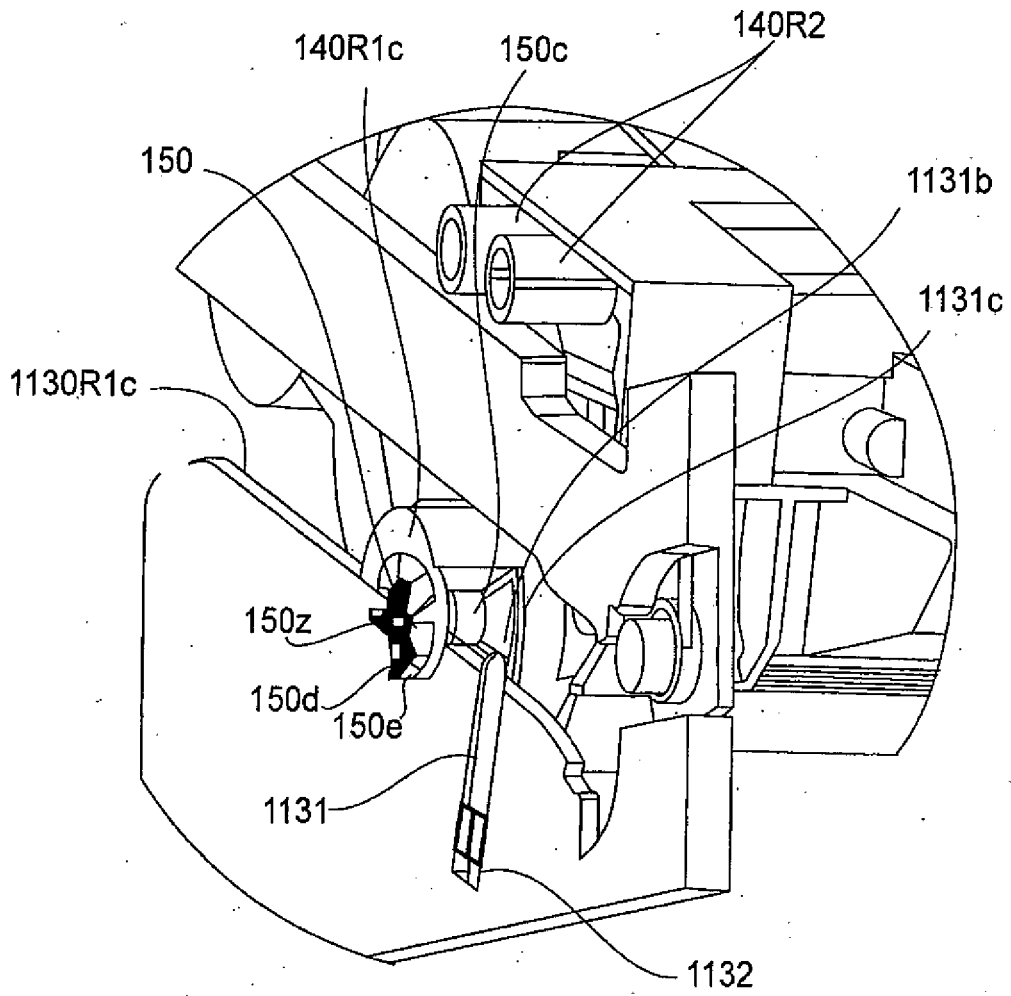


FIG. 76

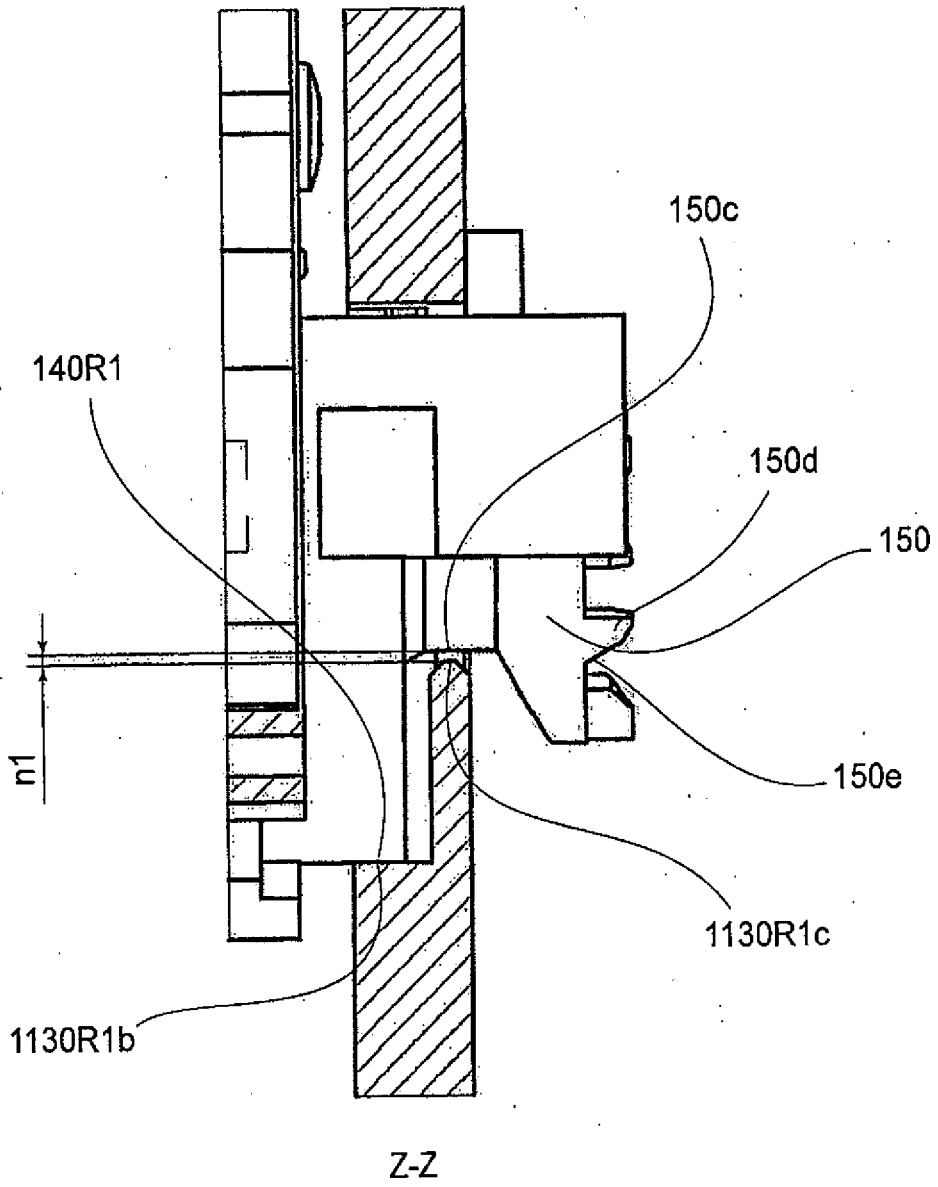


FIG.77

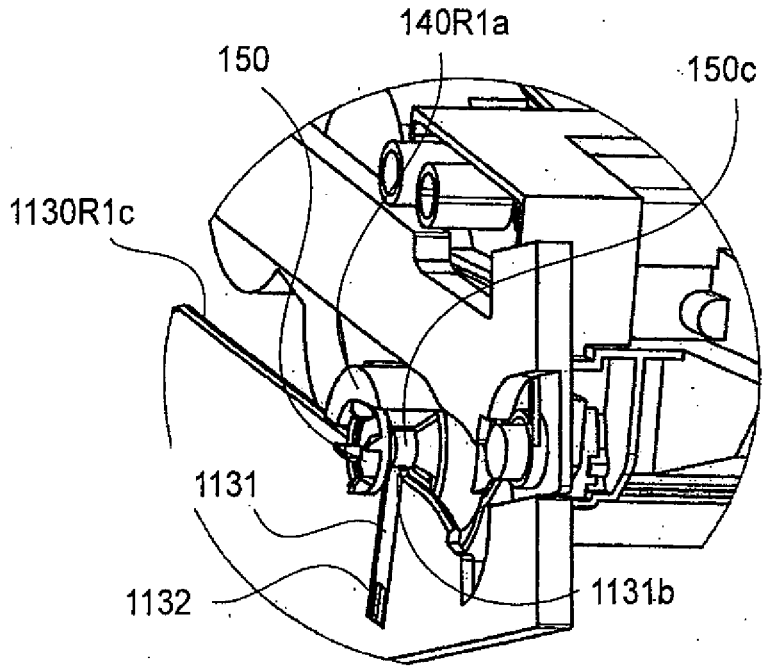


FIG. 78

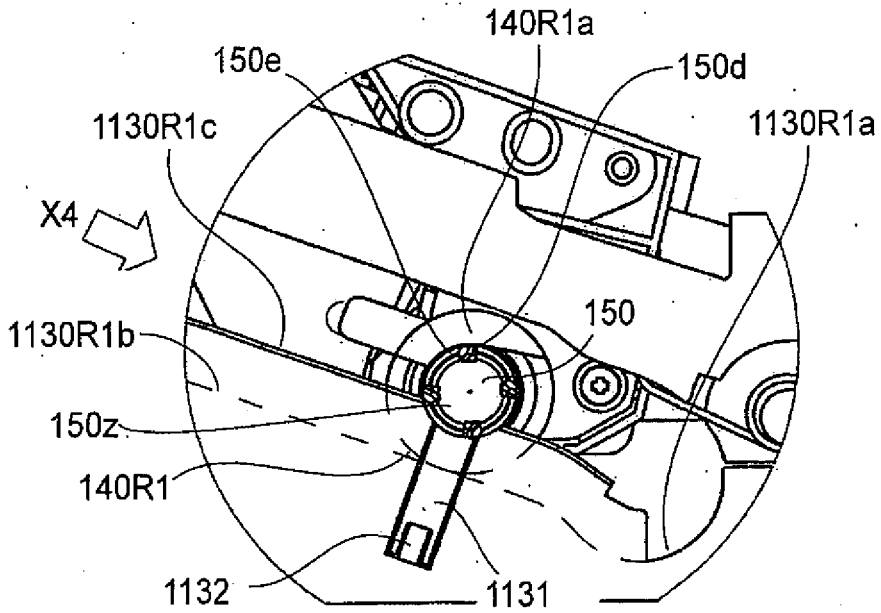


FIG. 79

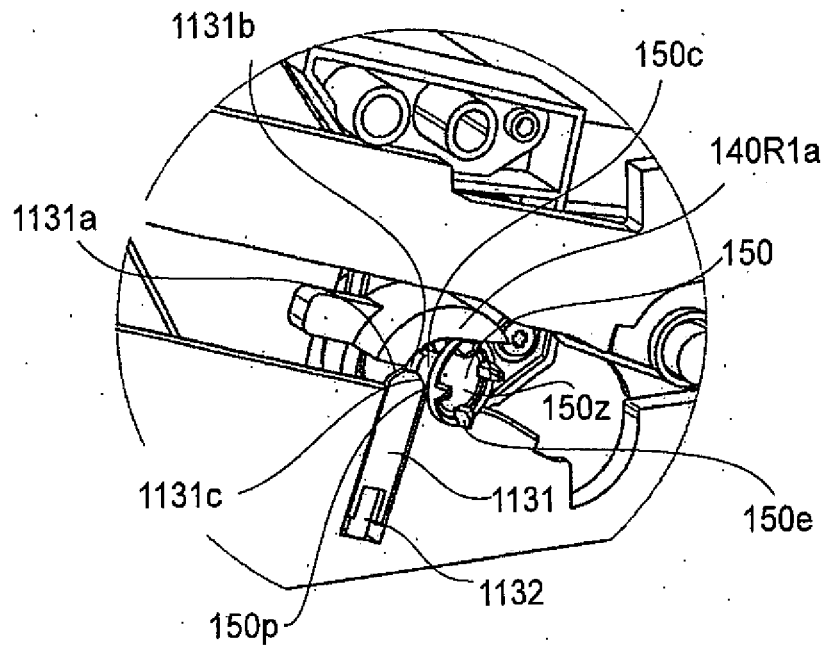


FIG. 80

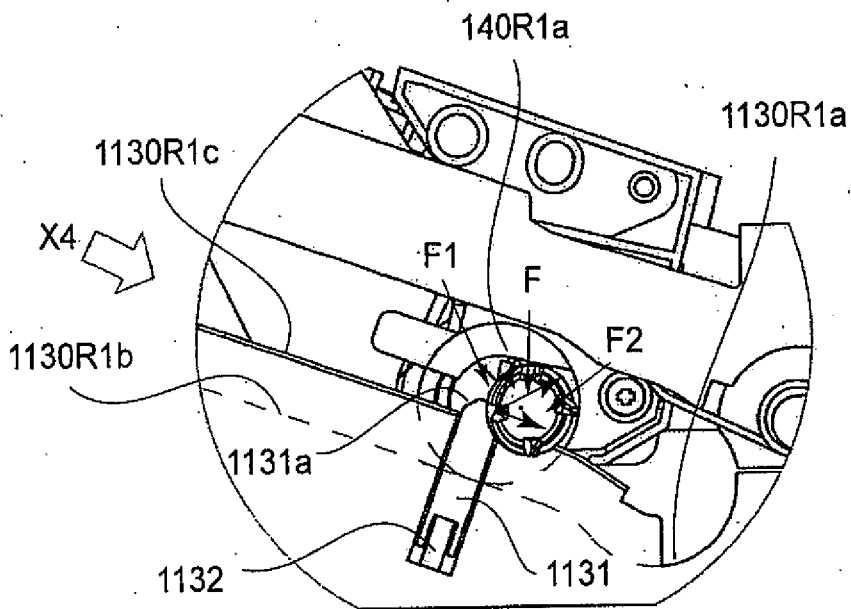


FIG. 81

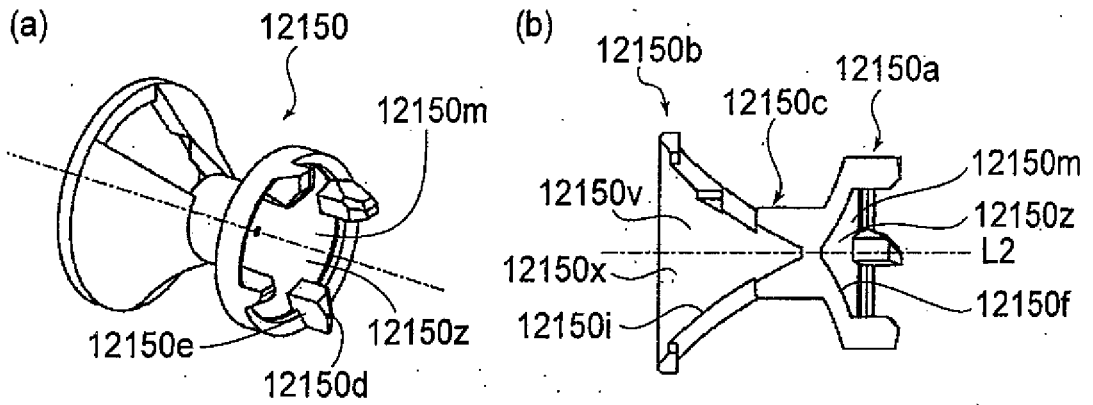


FIG. 82

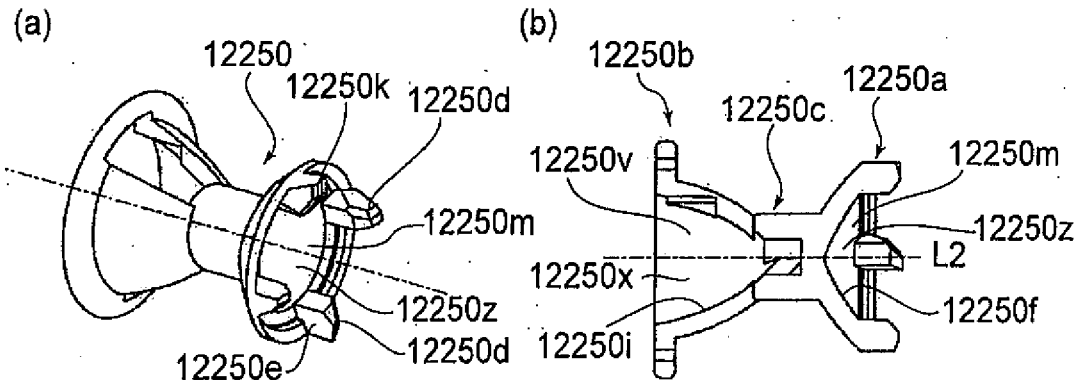


FIG. 83

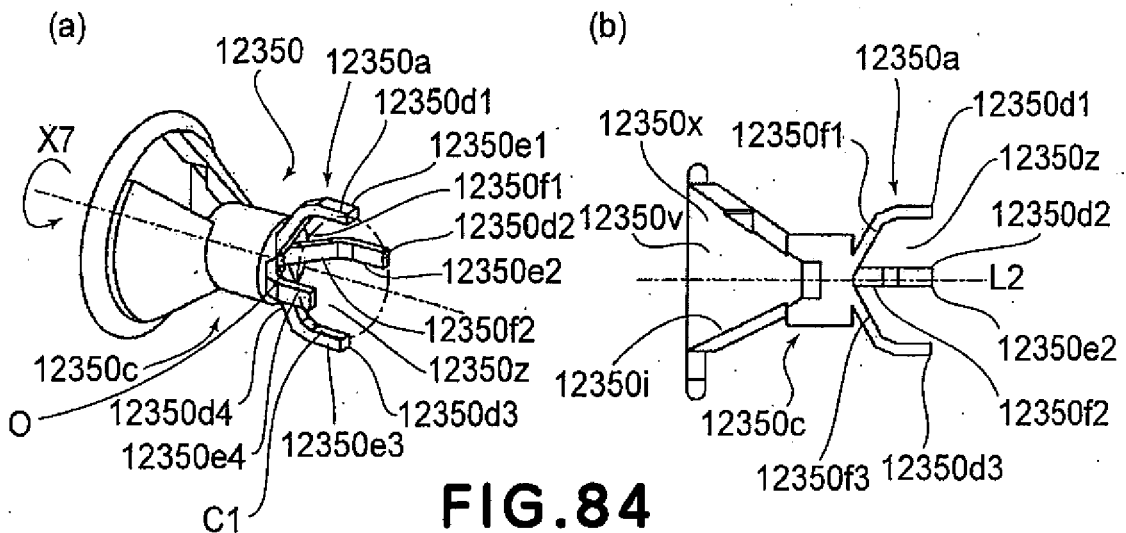


FIG. 84

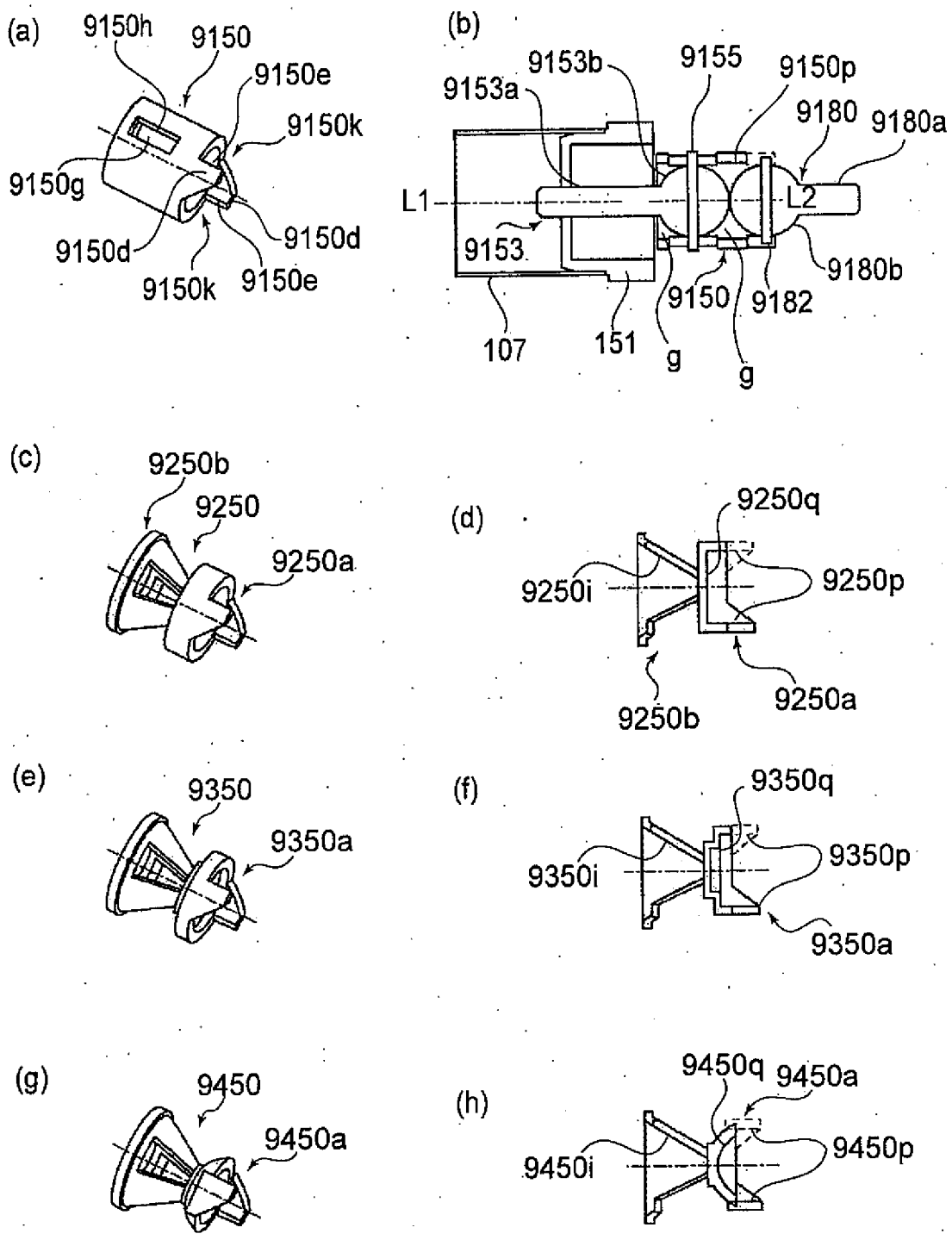


FIG. 85

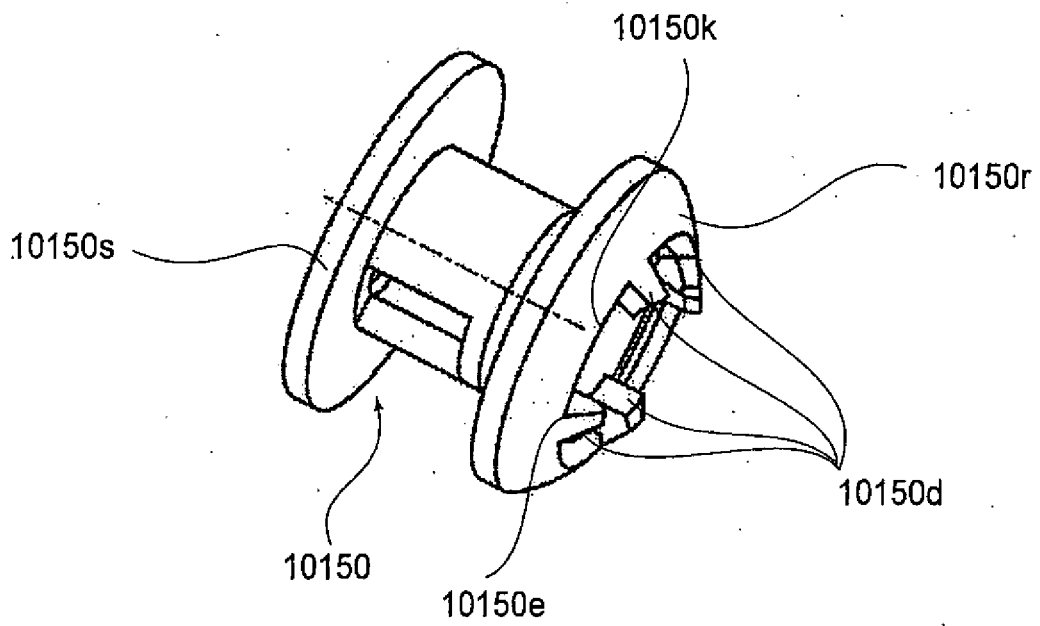


FIG.86

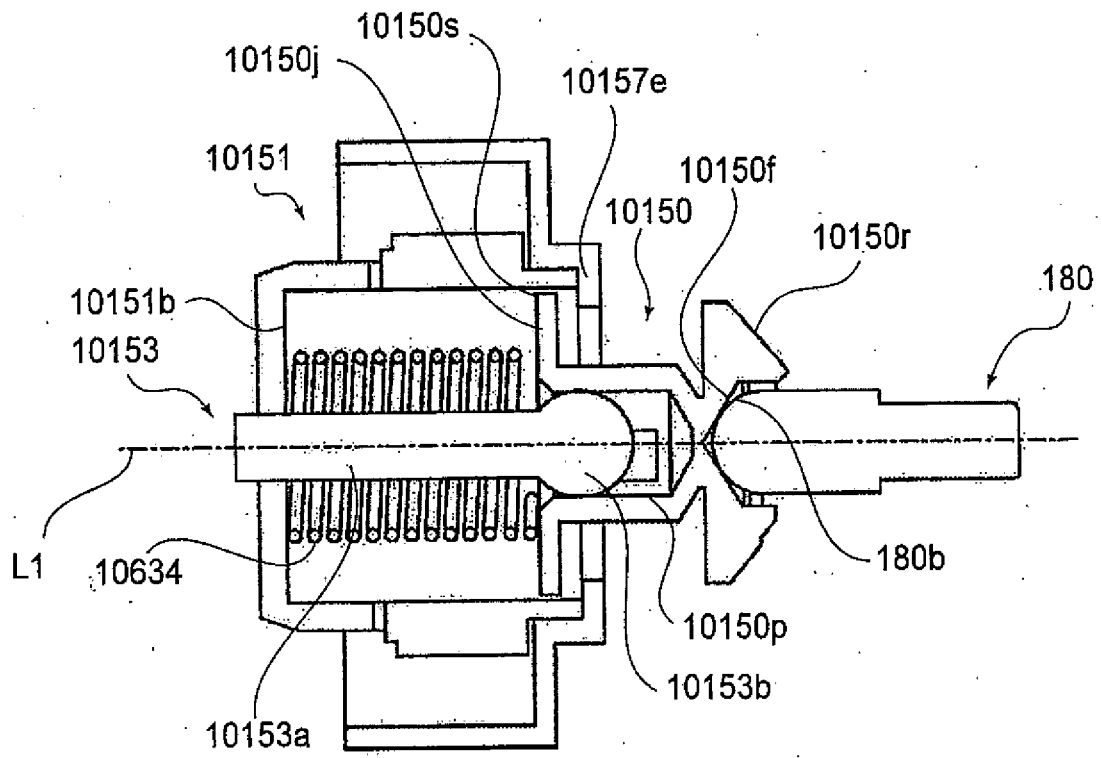


FIG.87

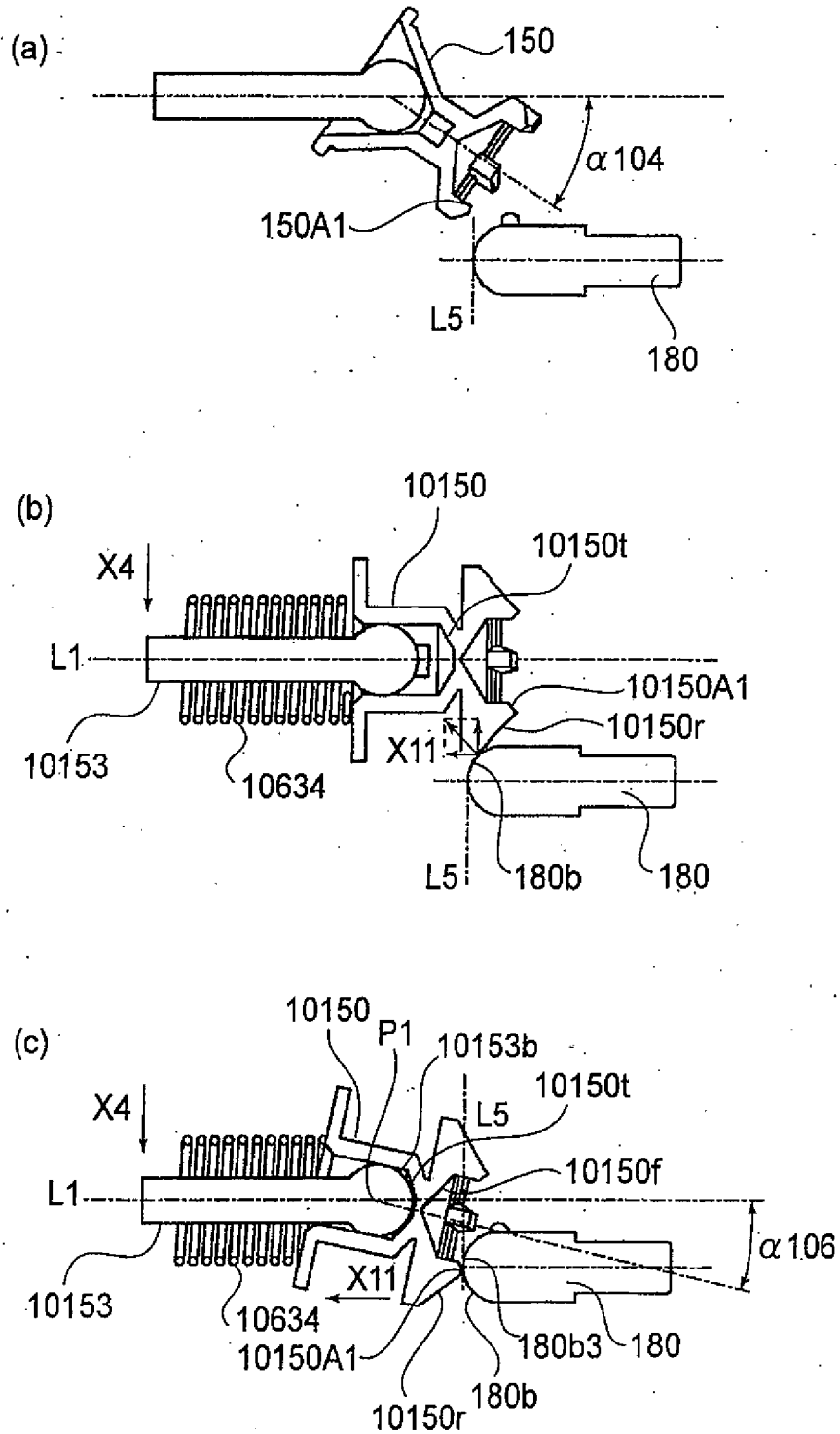


FIG.88

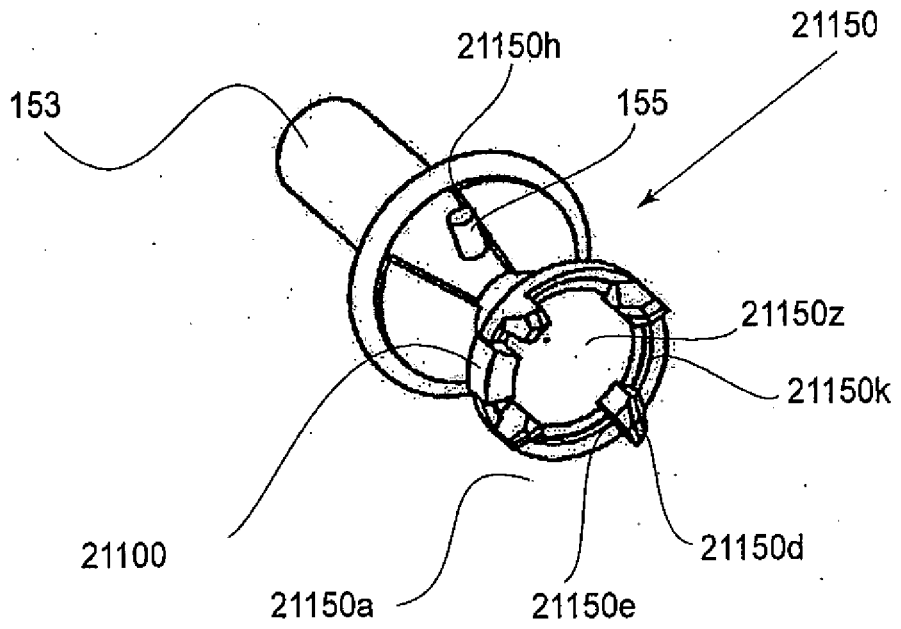


FIG.89

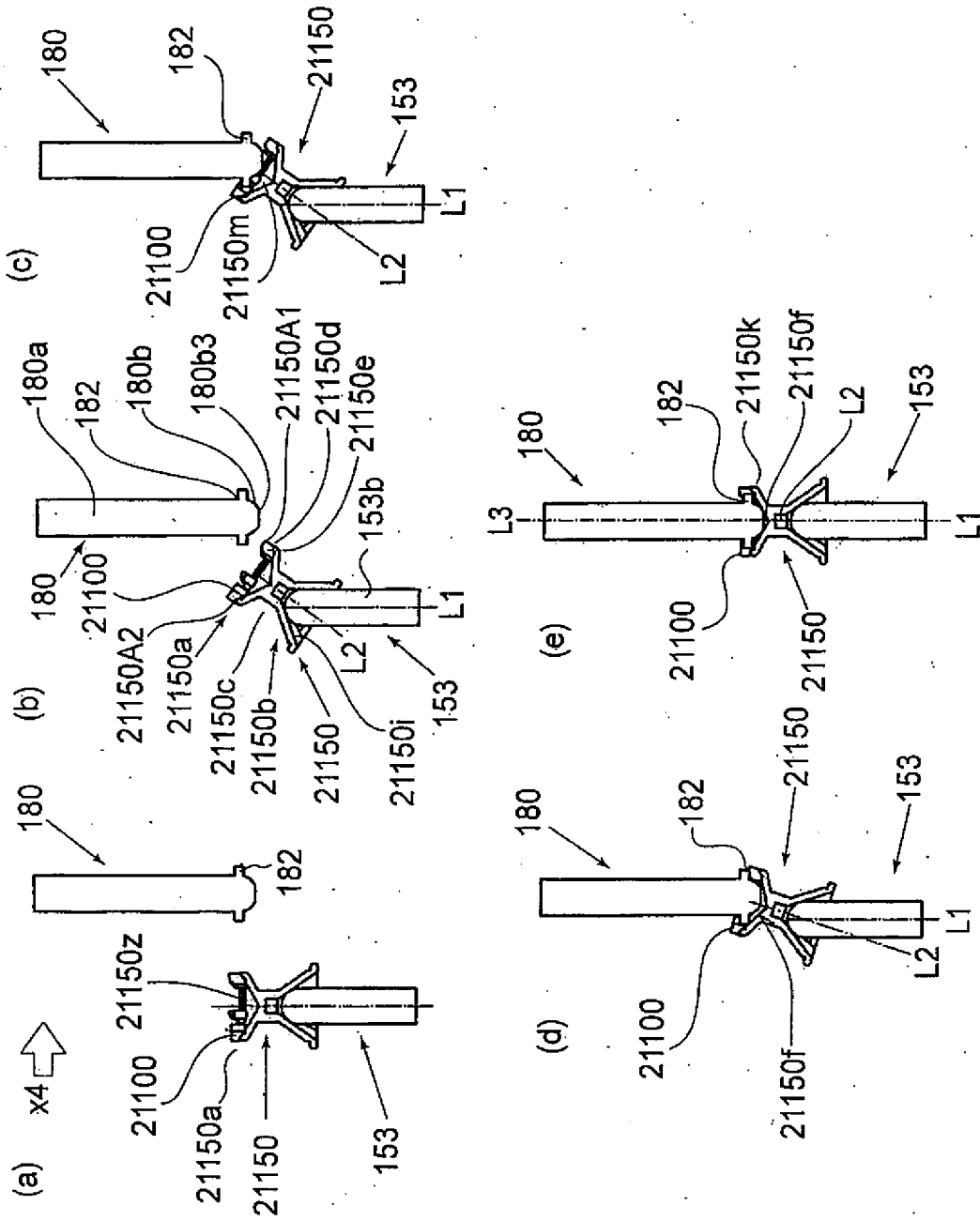


FIG. 90

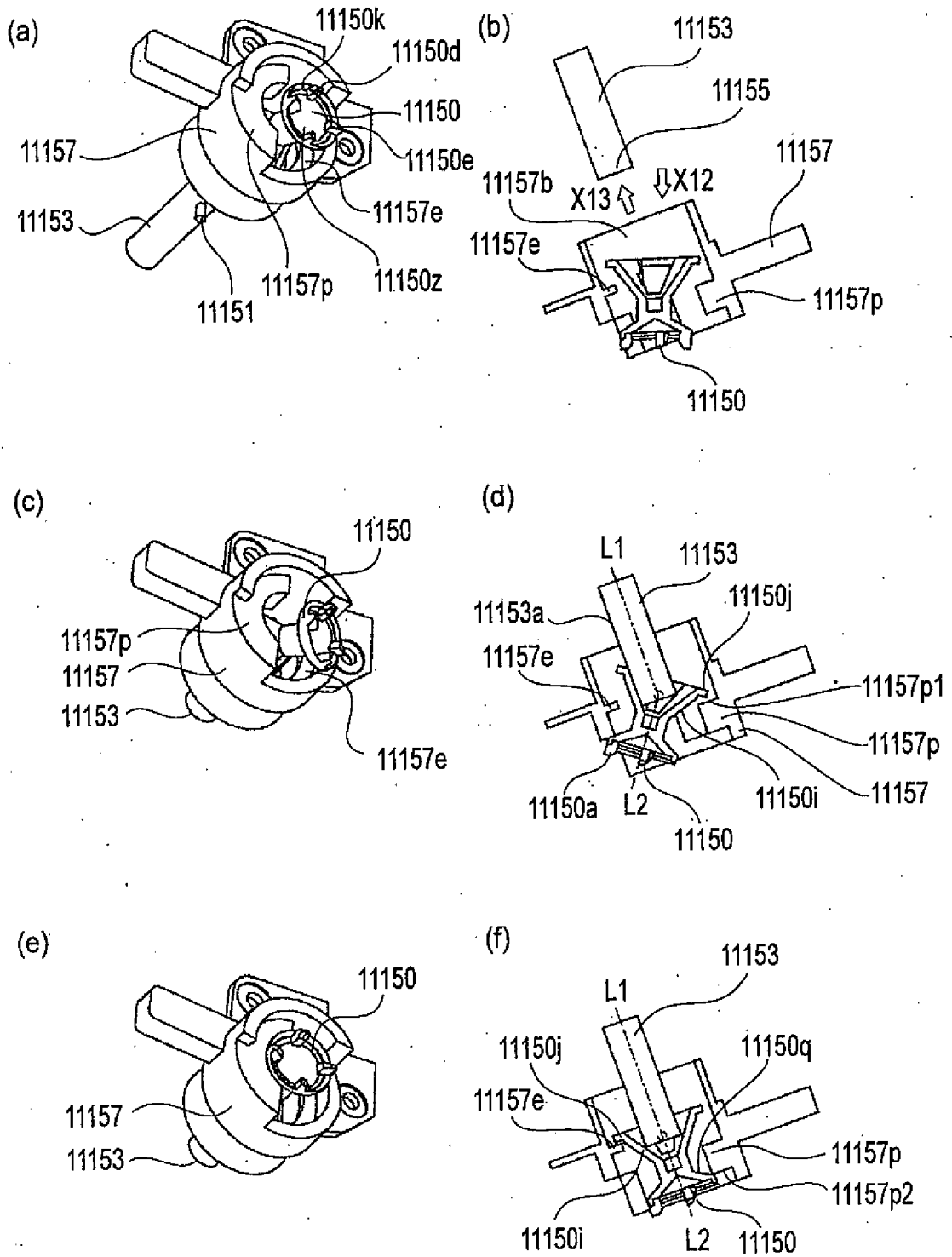
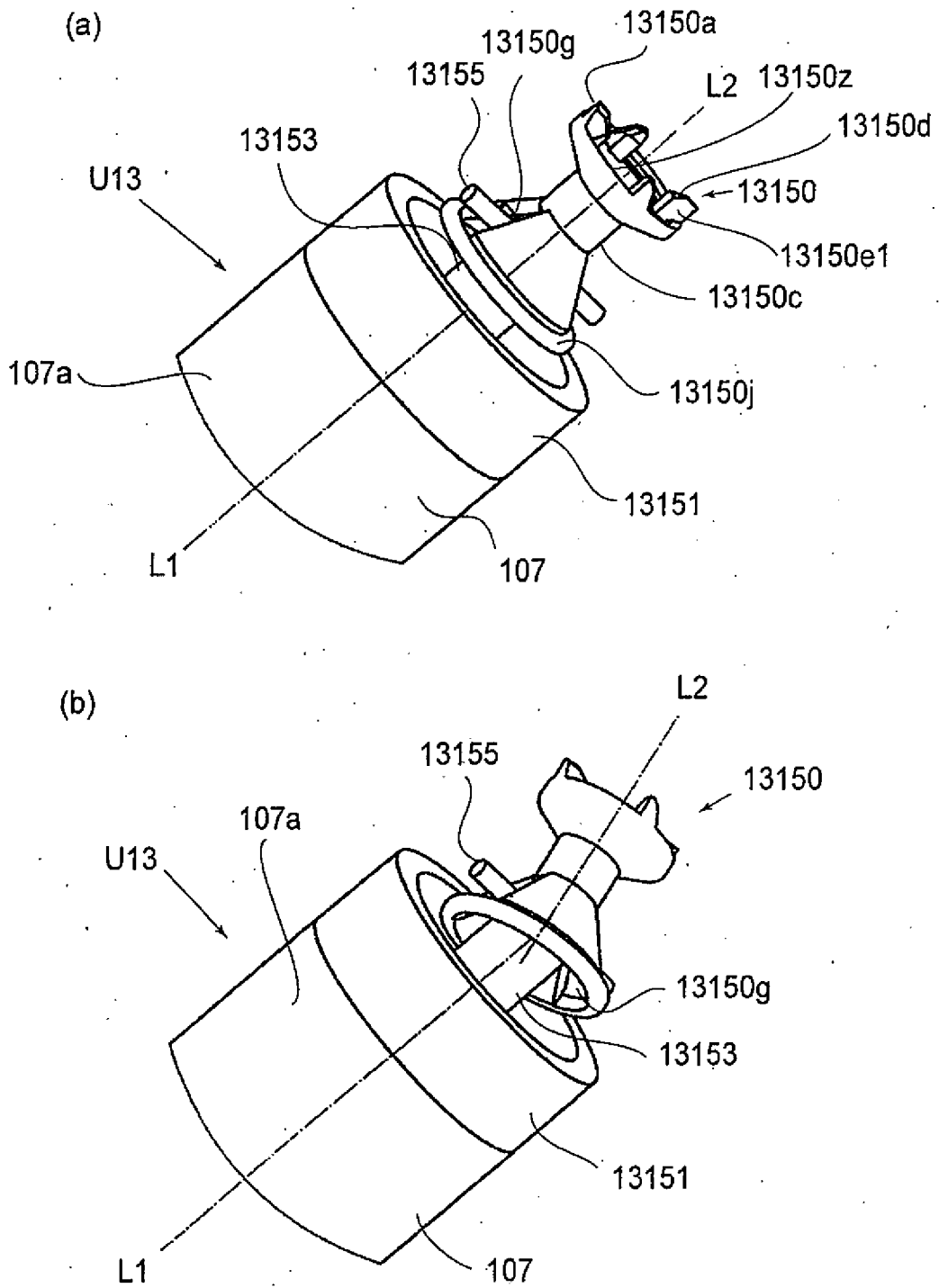


FIG. 91

**FIG.92**

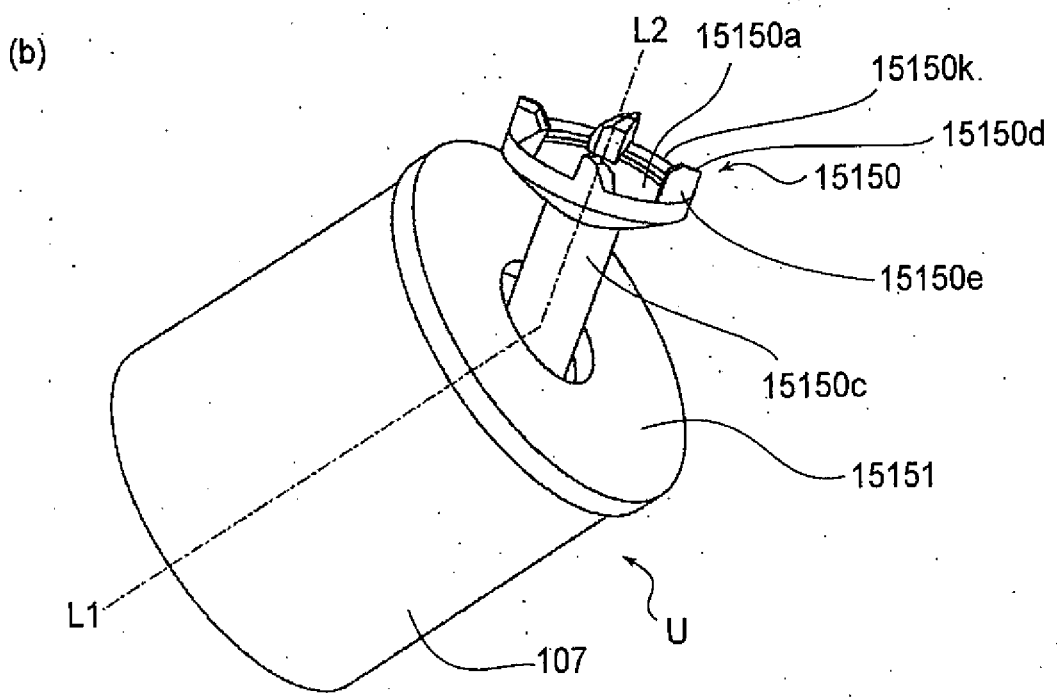
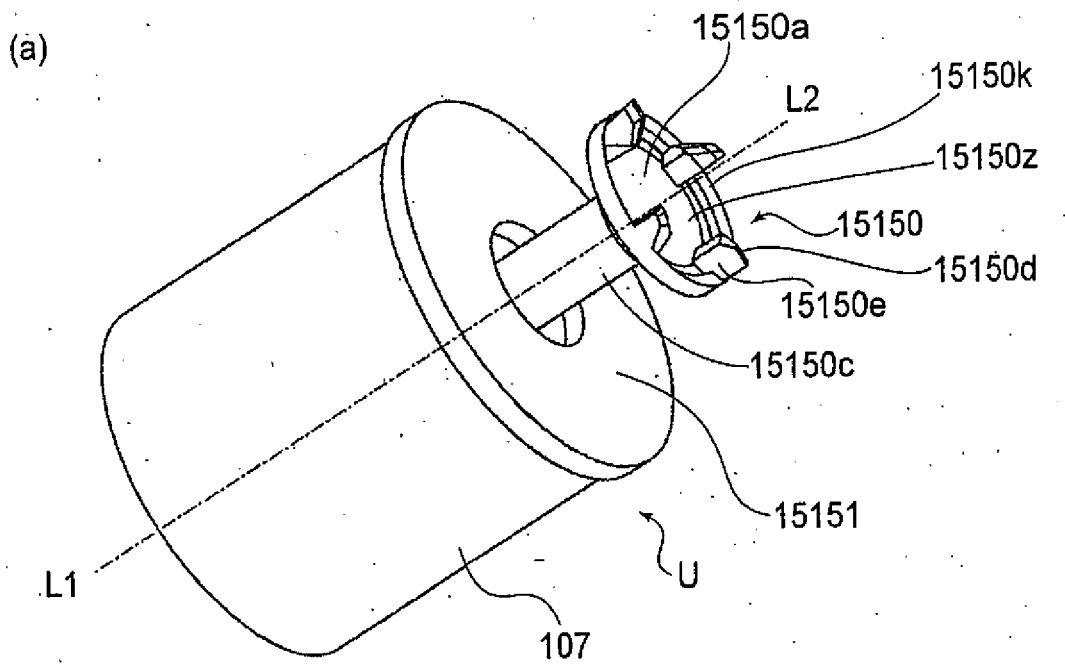


FIG.93

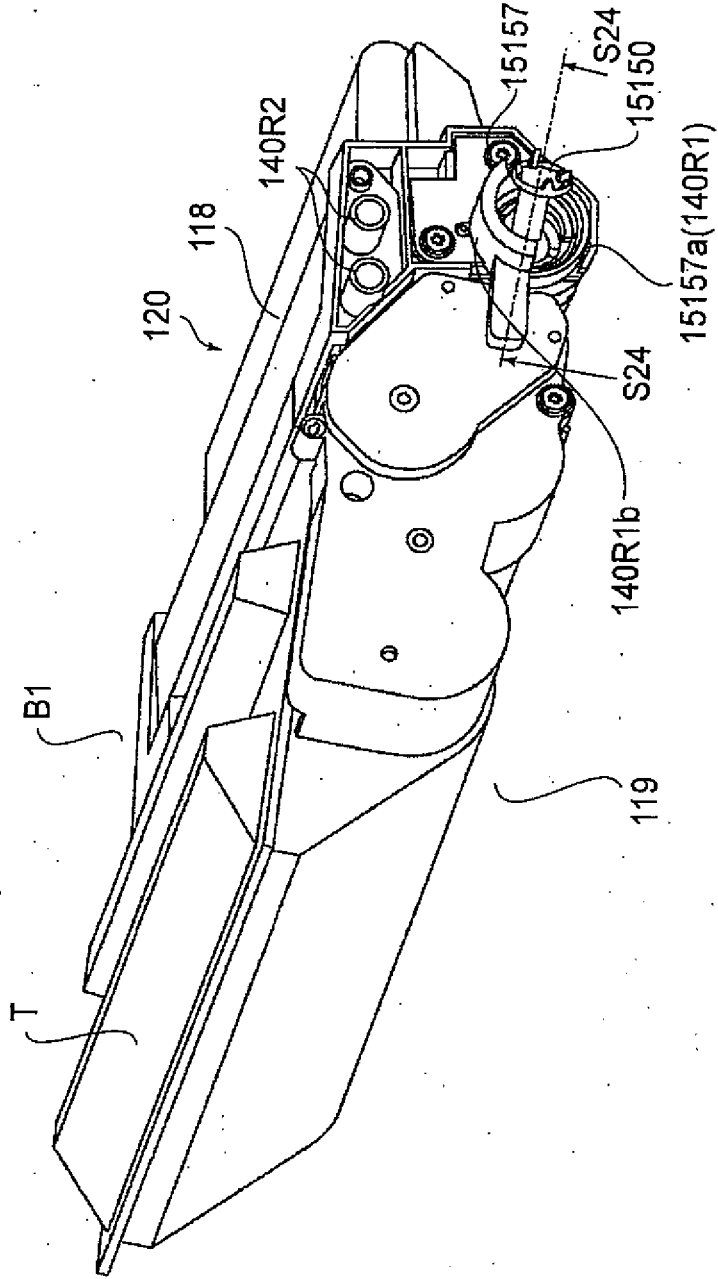


FIG.94

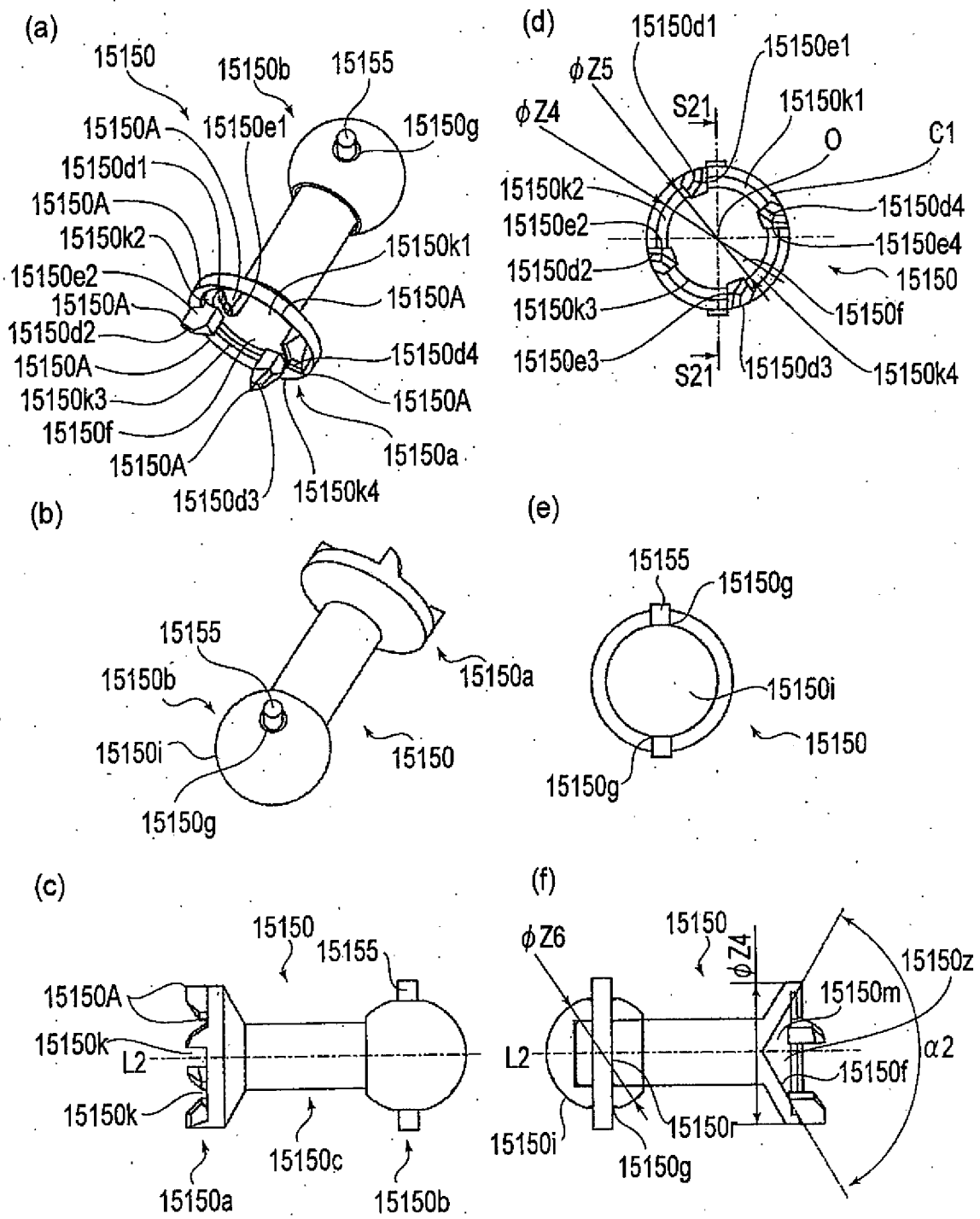


FIG.95

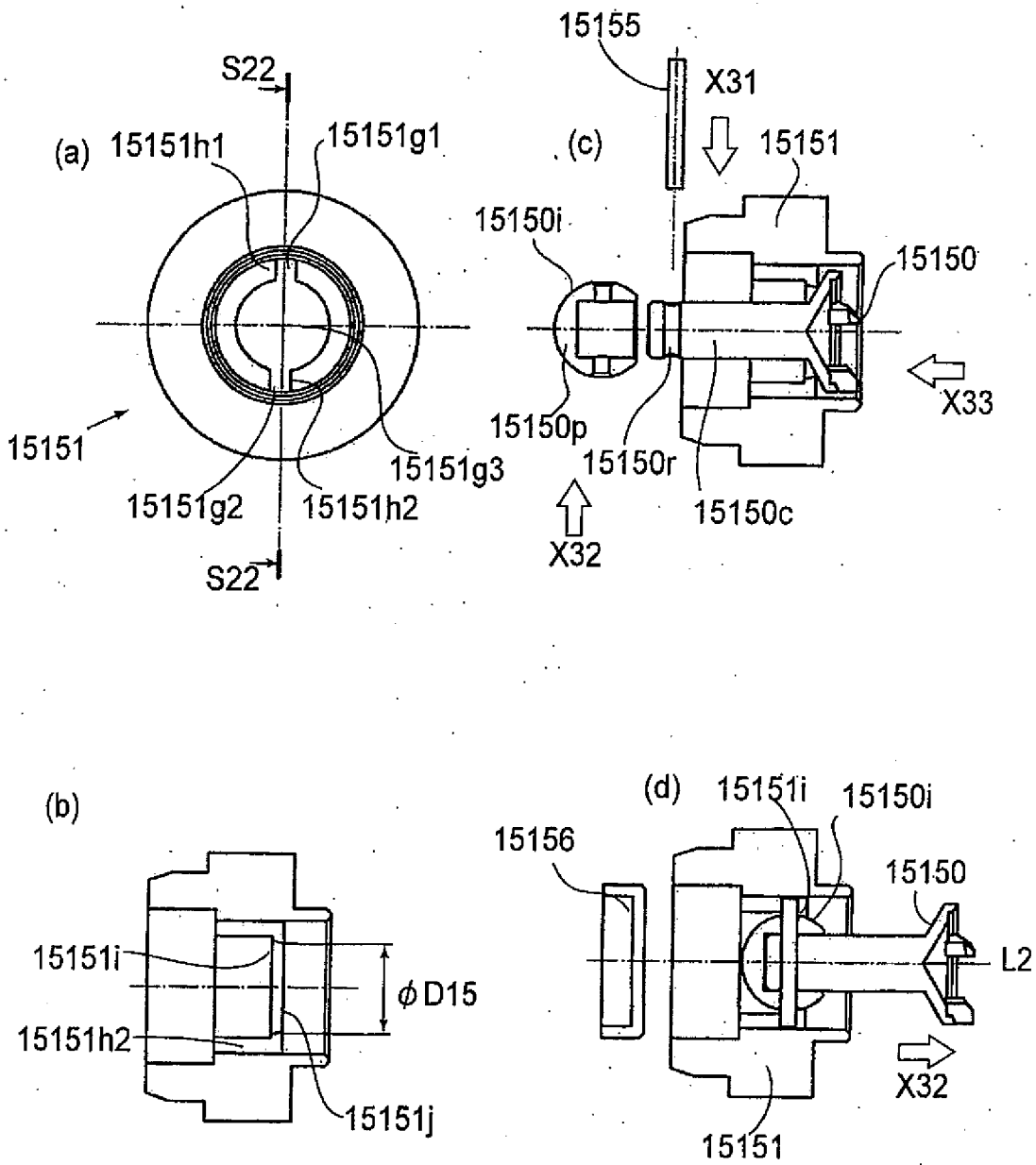


FIG.96

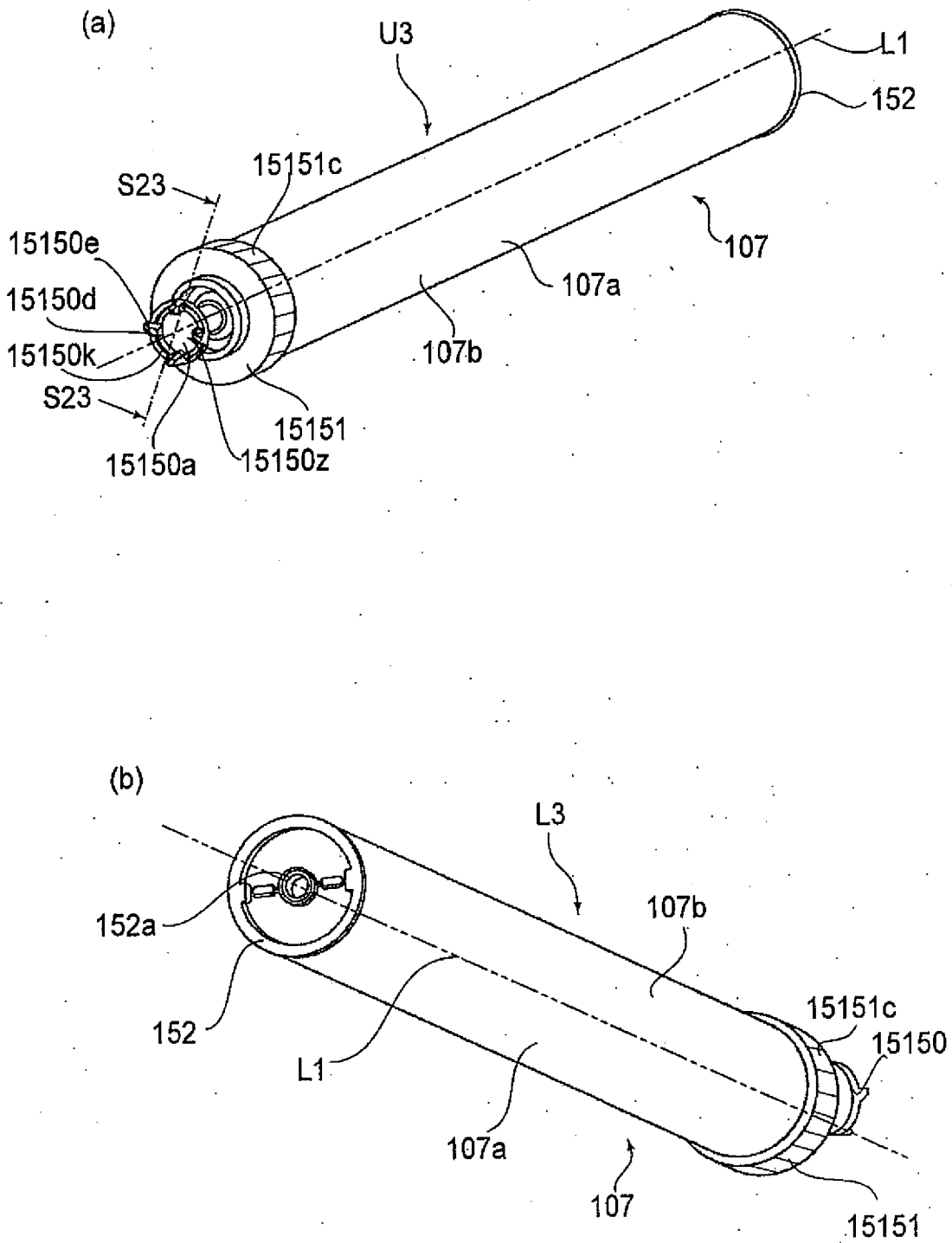


FIG.97

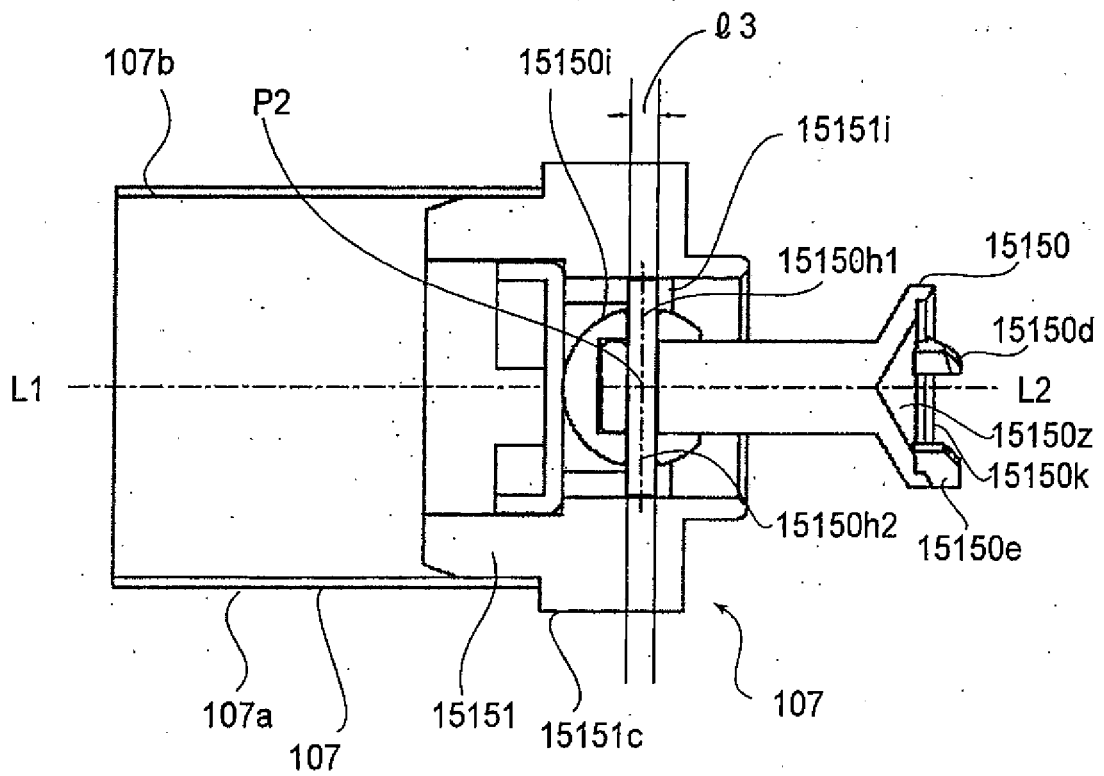


FIG. 98

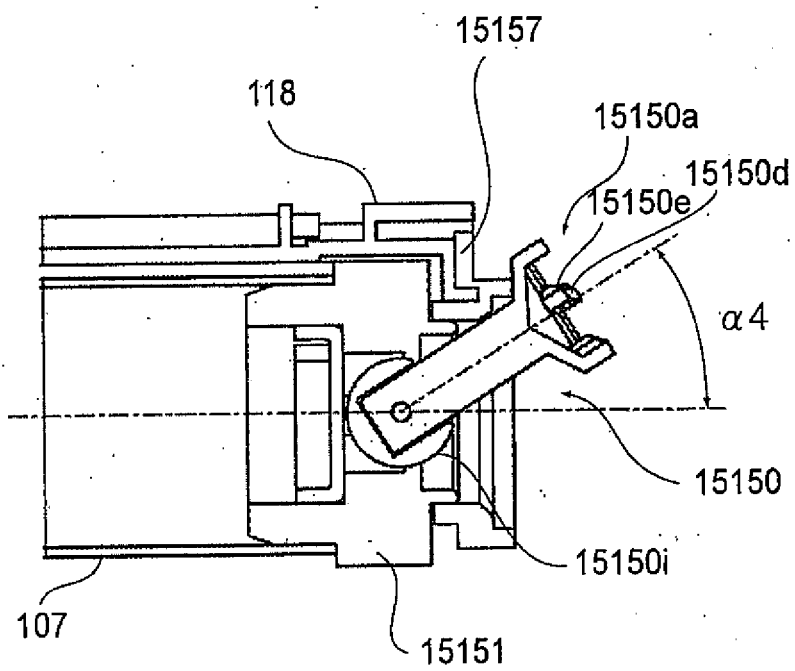


FIG.99

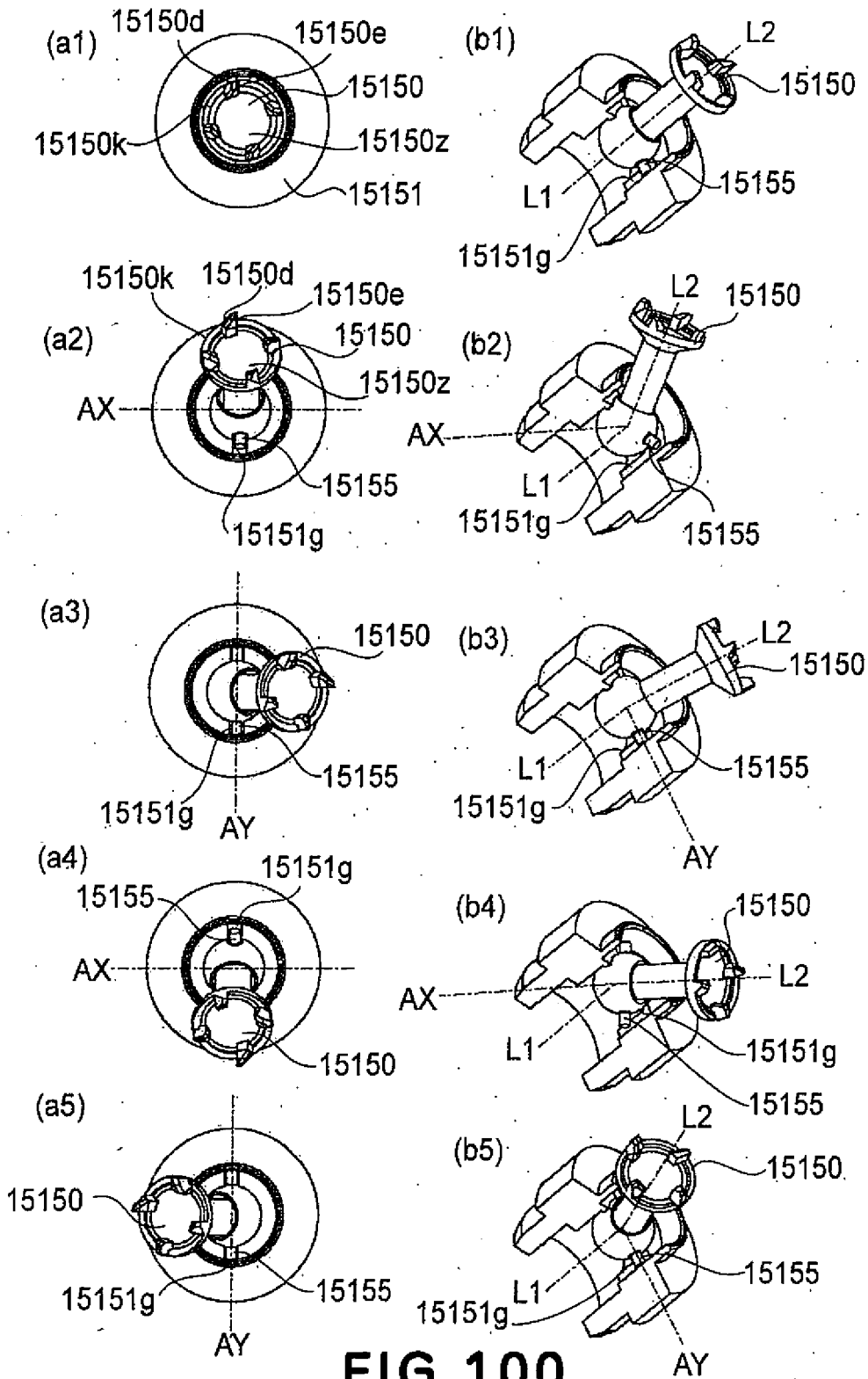


FIG. 100

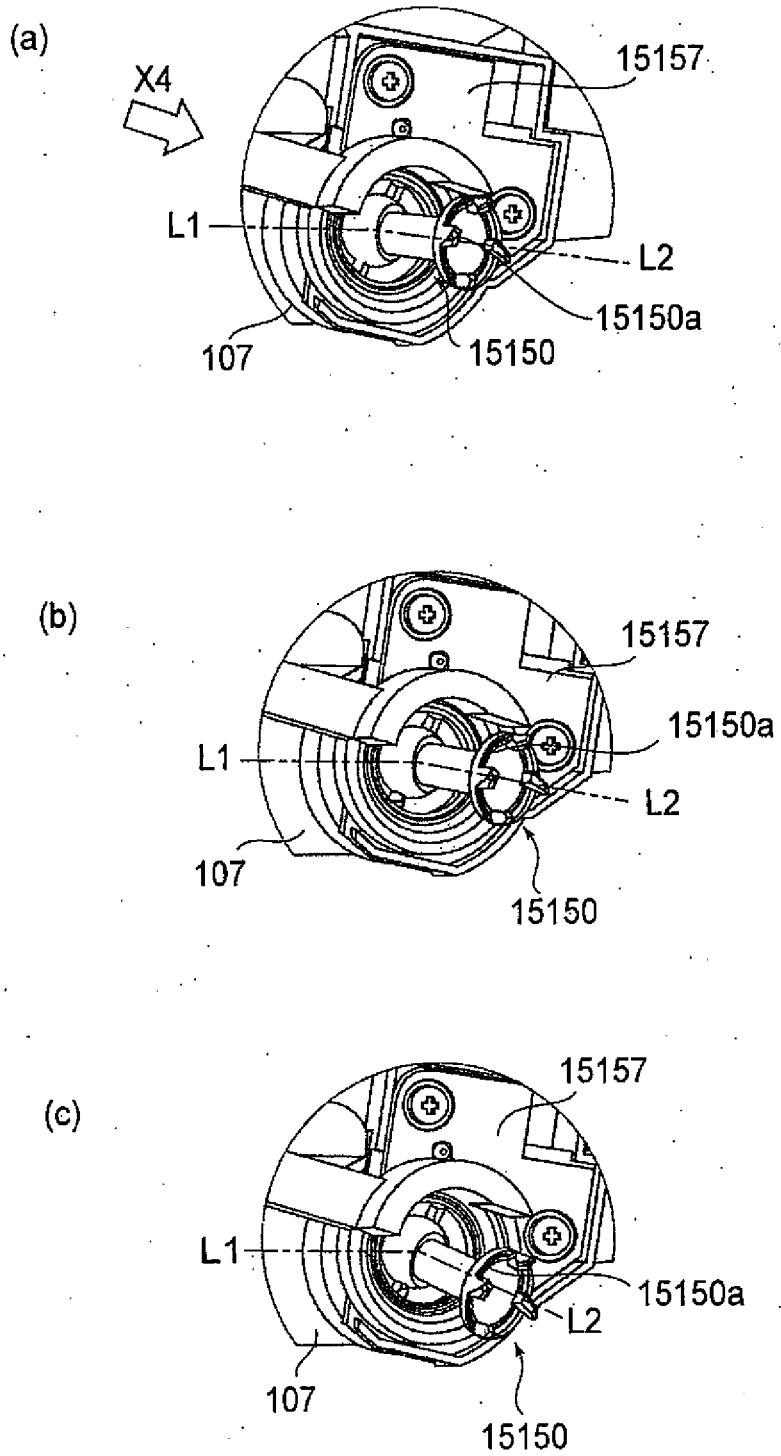


FIG.101

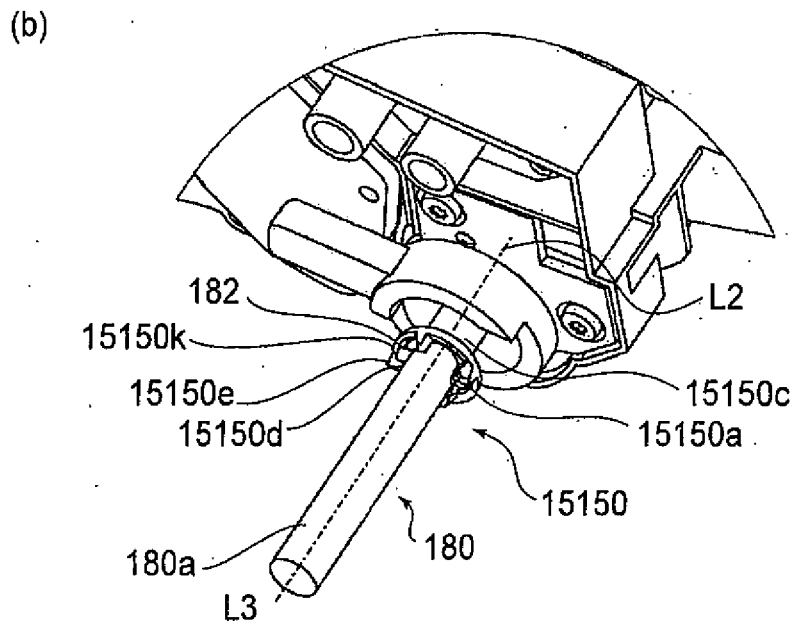
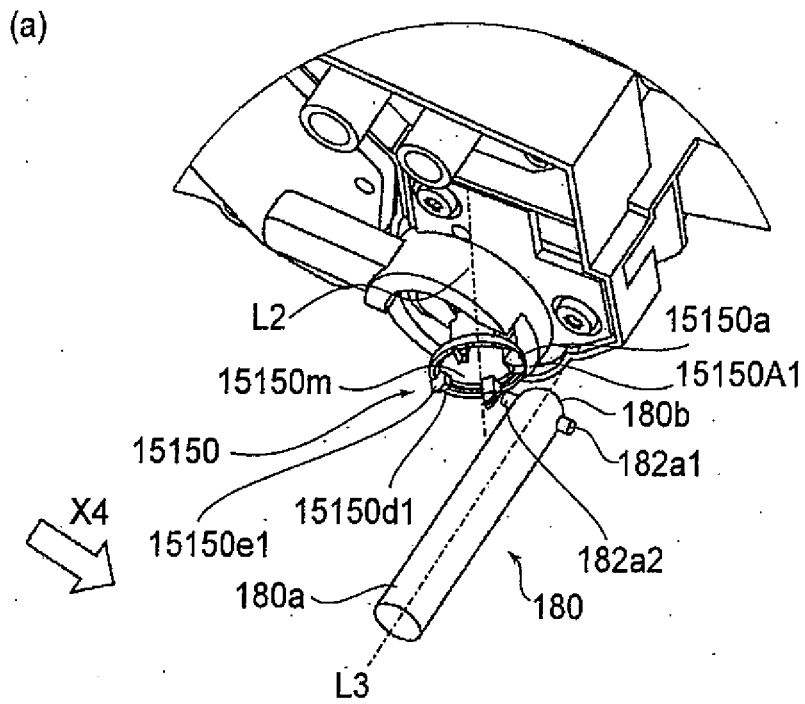


FIG.102

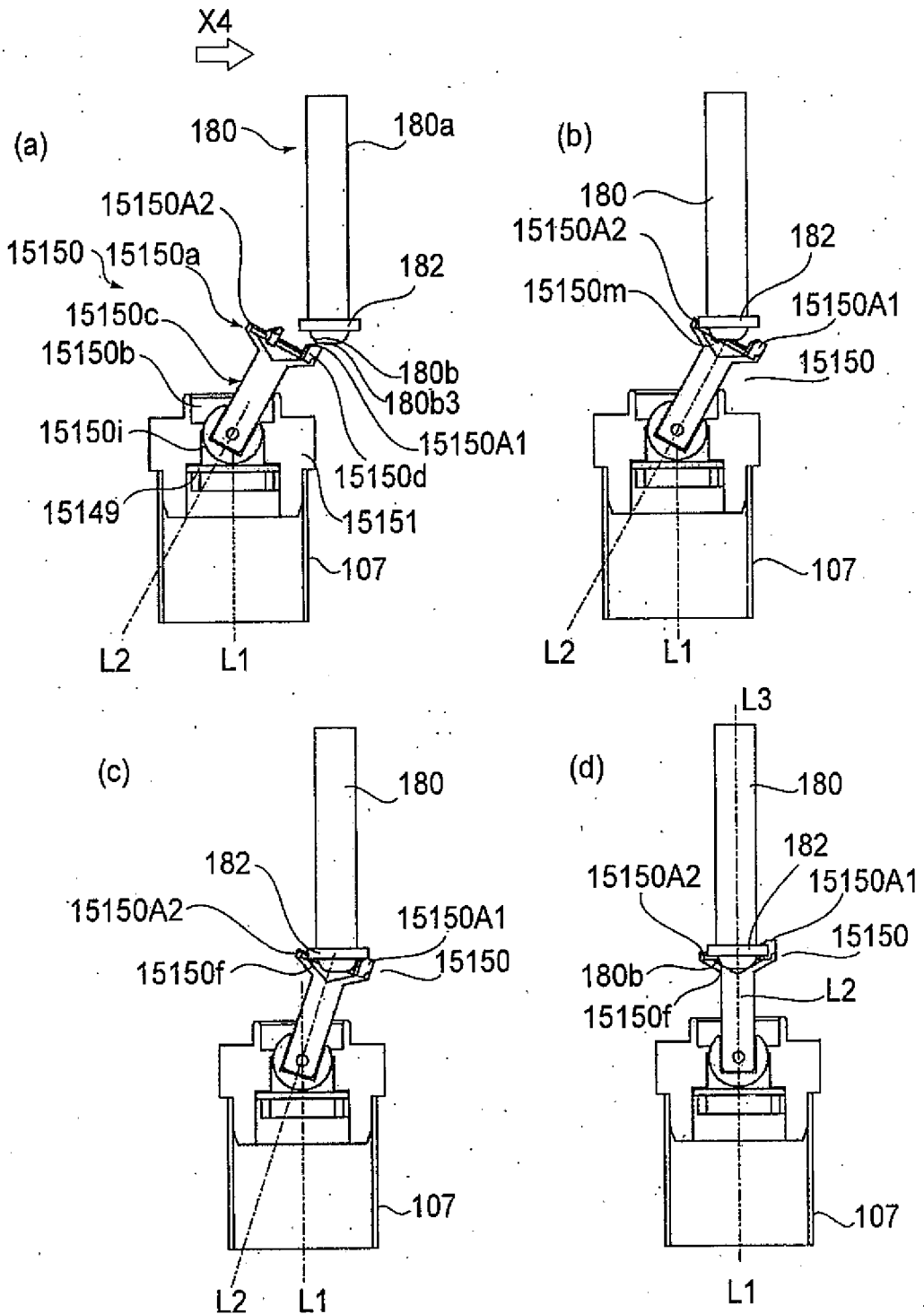


FIG.103

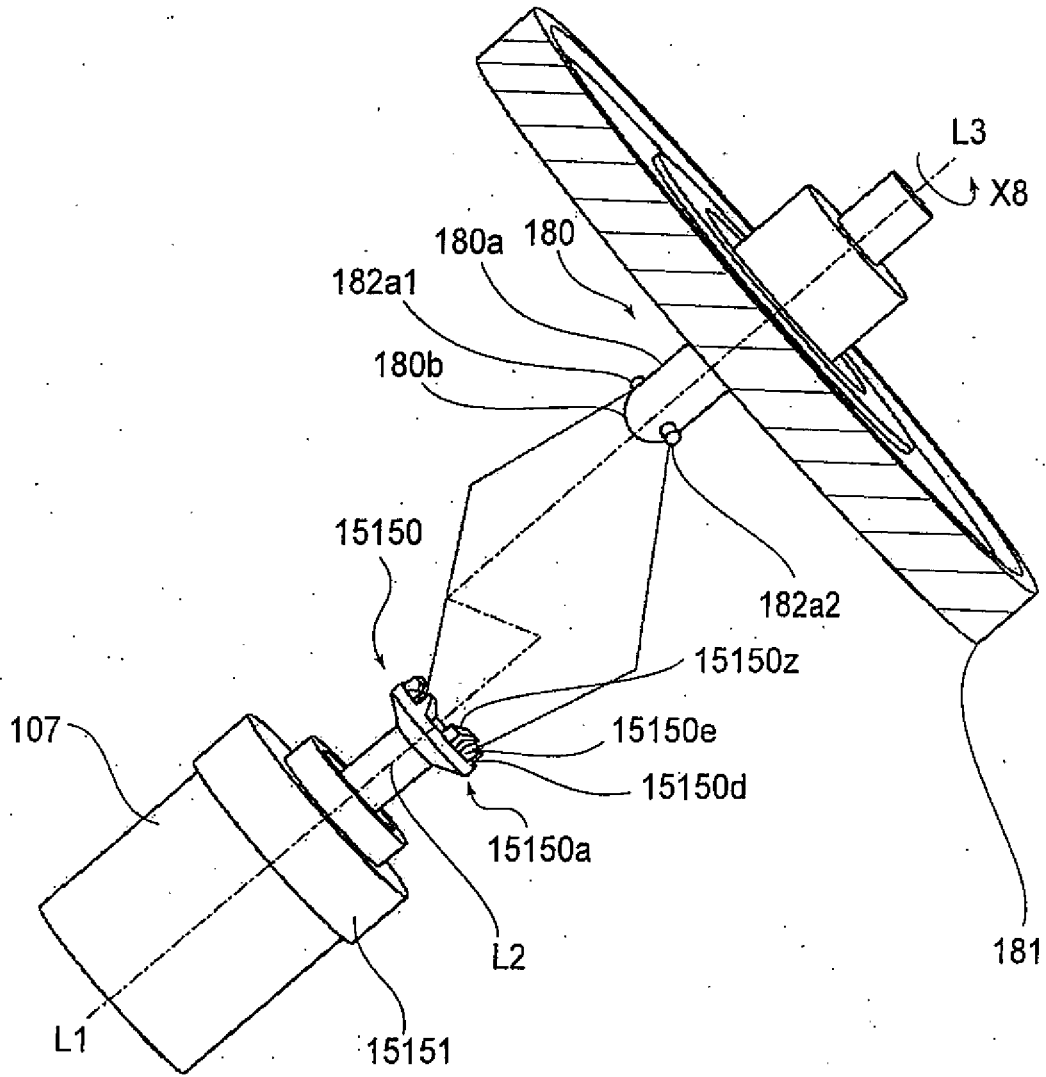


FIG. 104

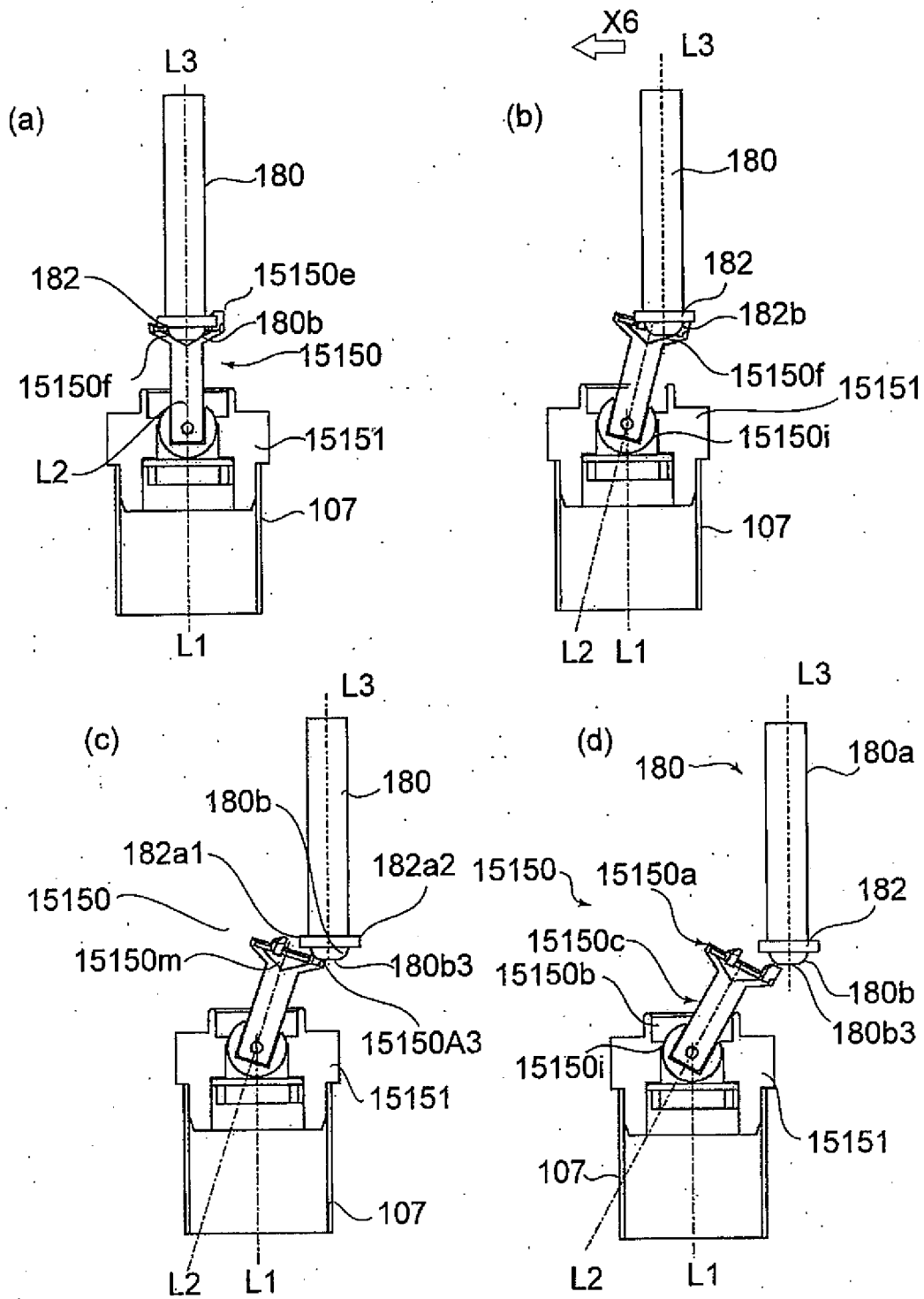


FIG.105

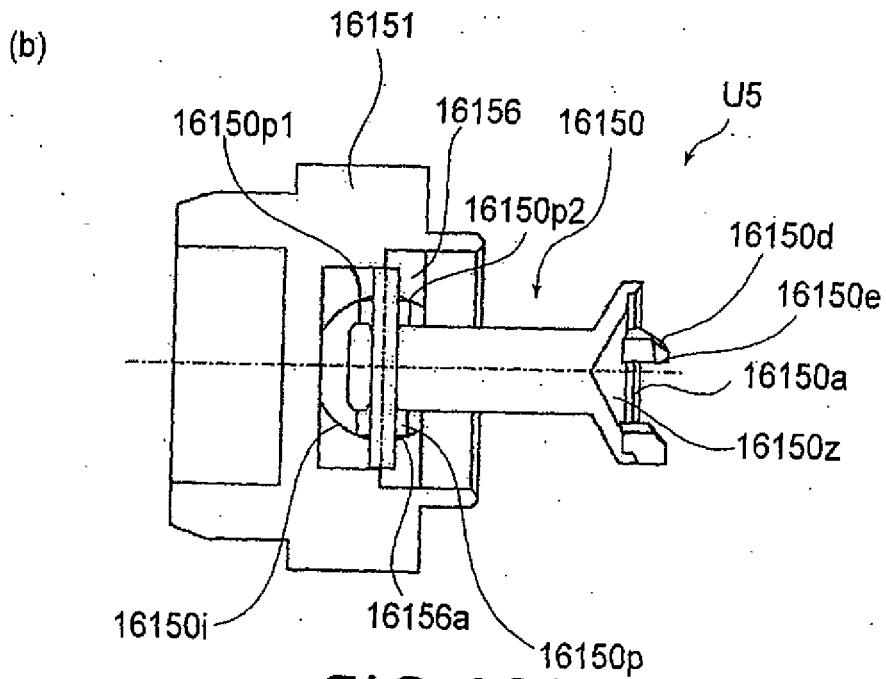
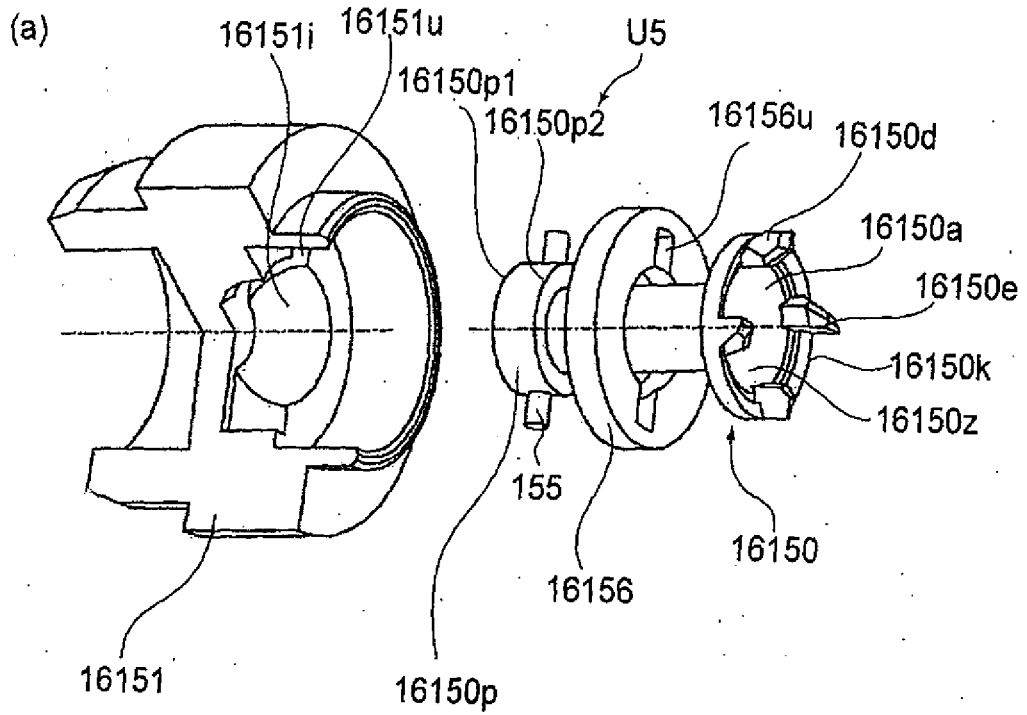


FIG. 106

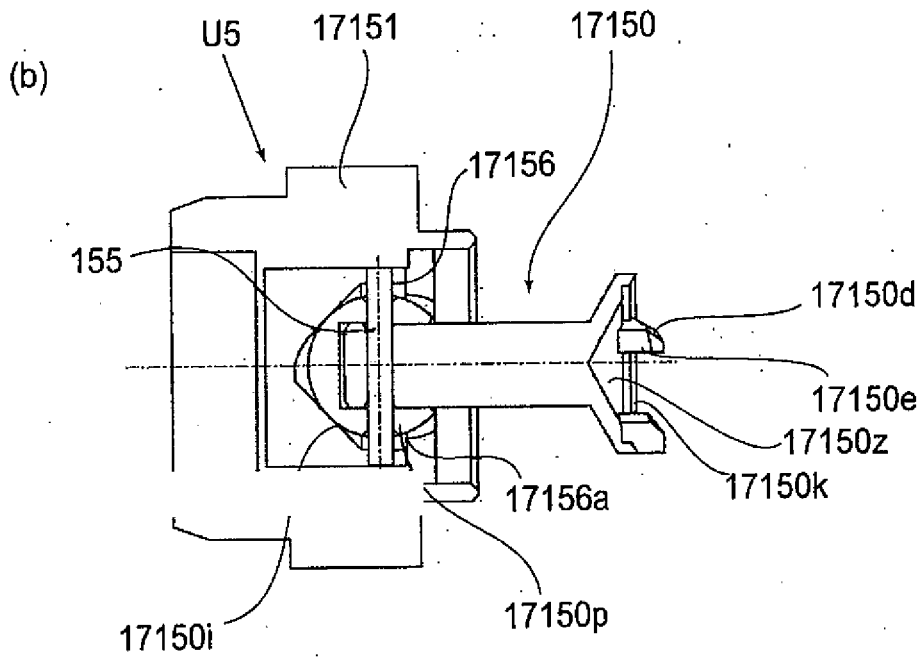
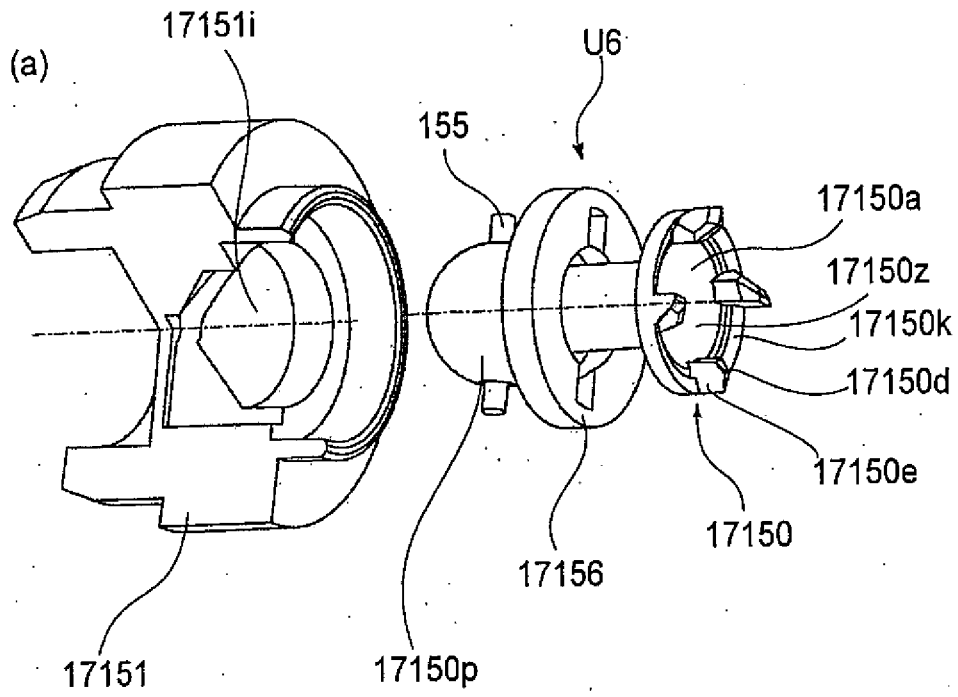


FIG. 107

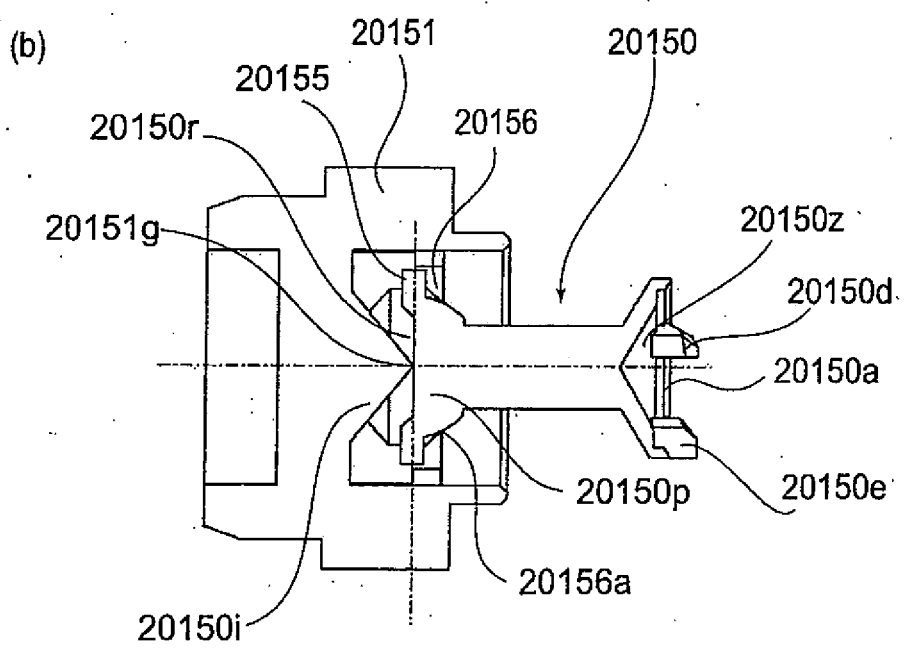
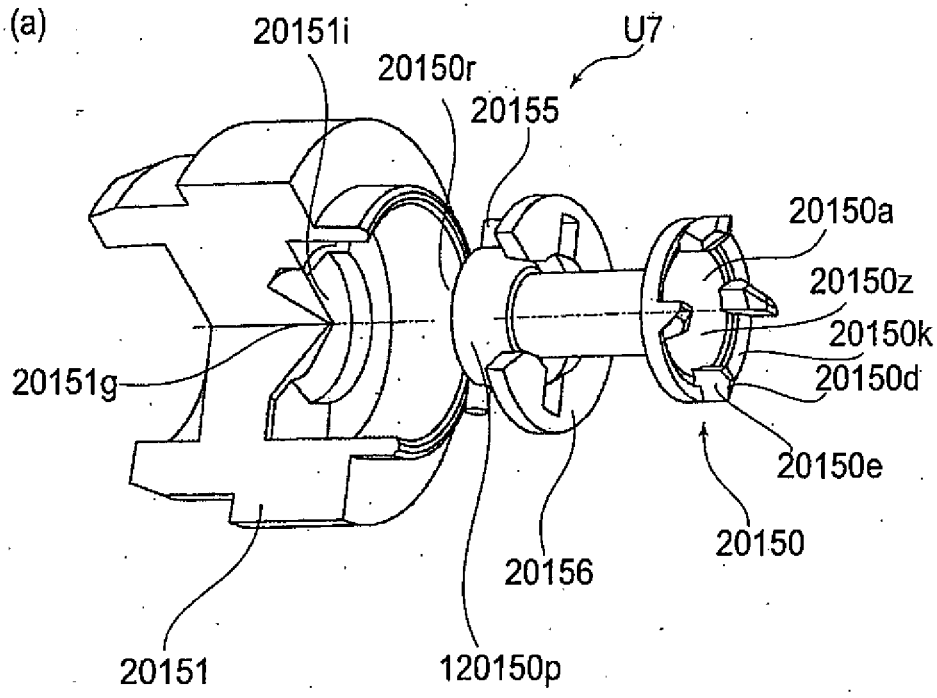


FIG. 108

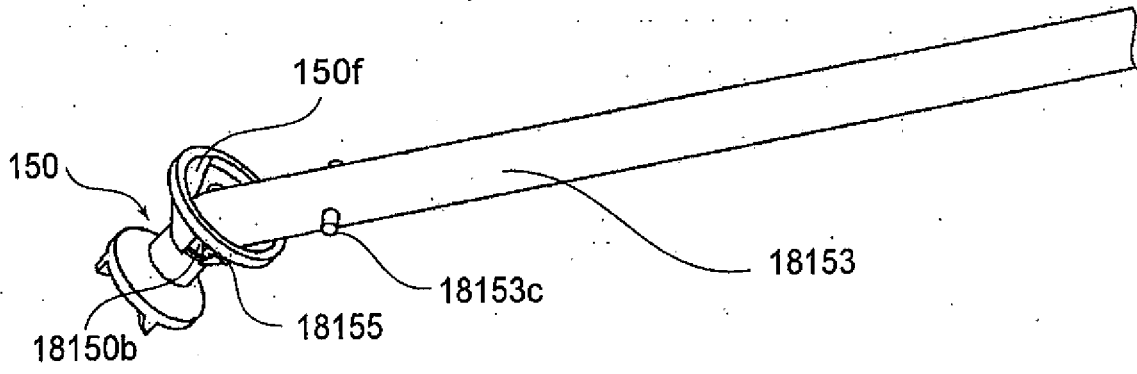


FIG.109

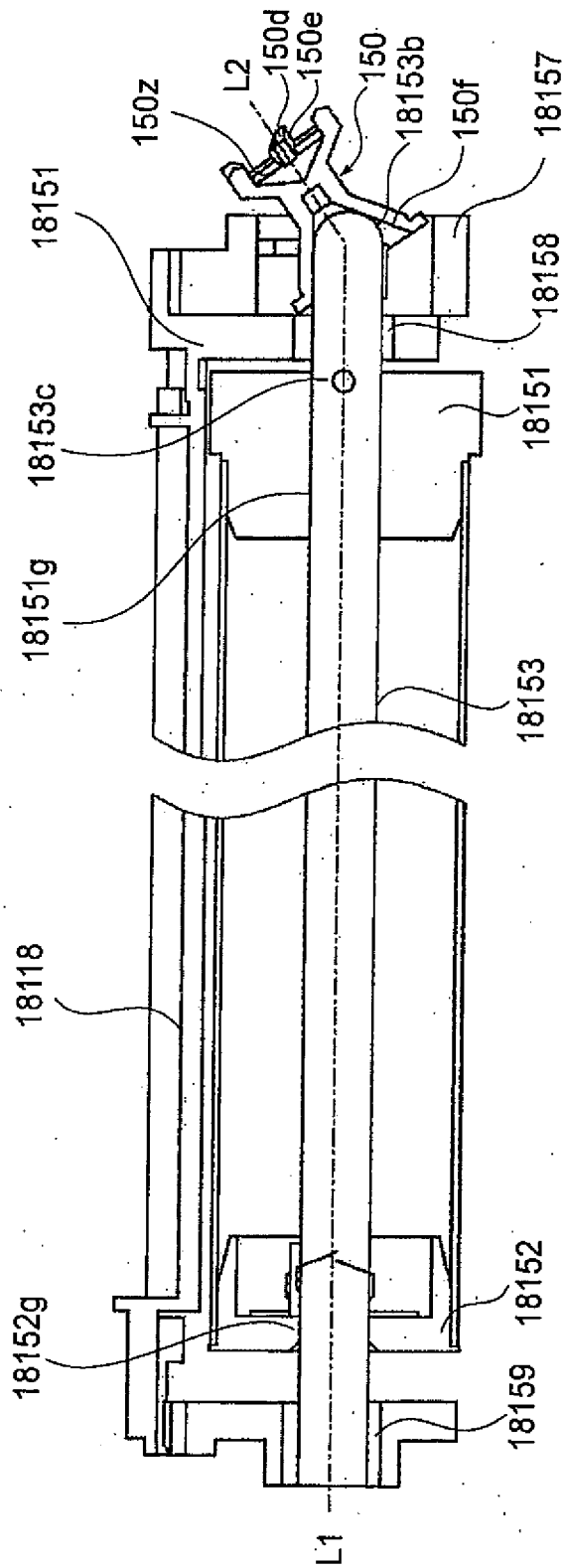


FIG. 110

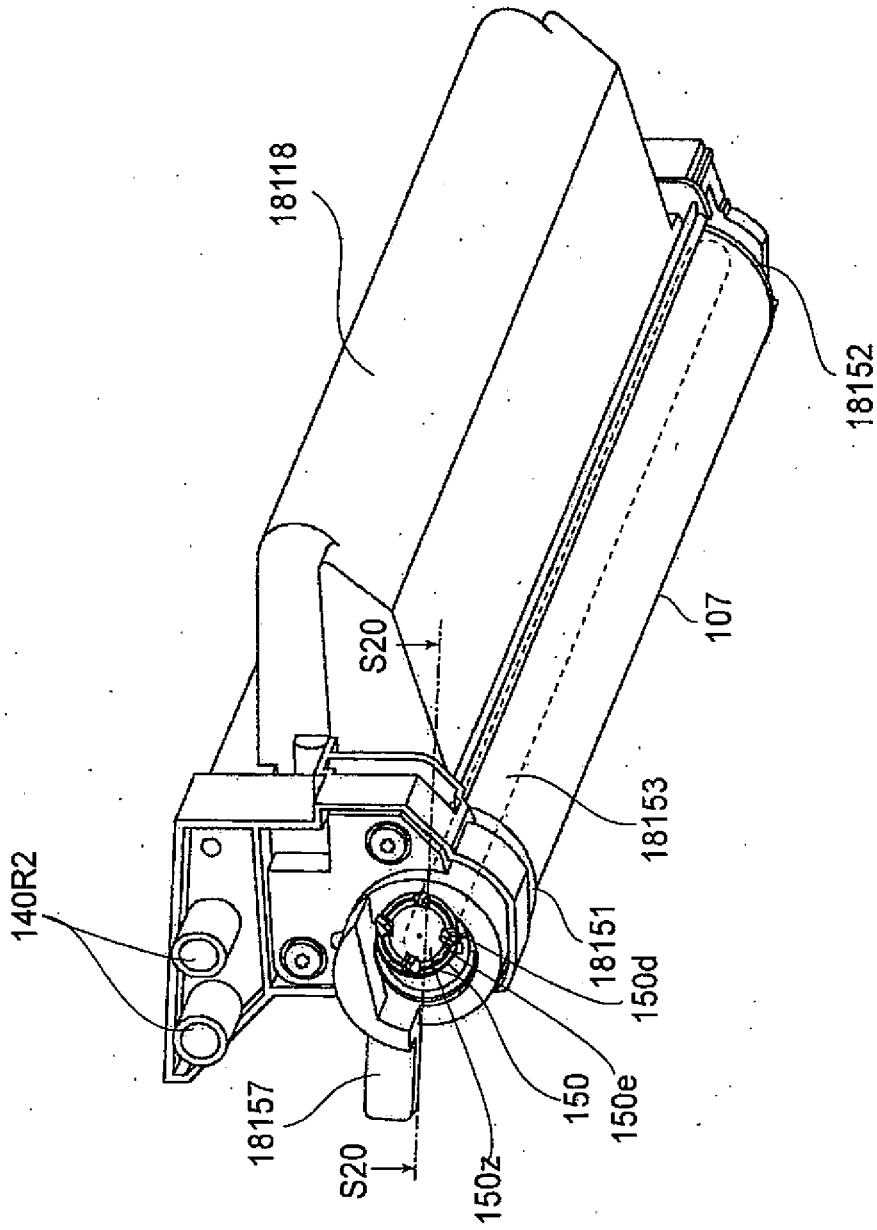


FIG.111

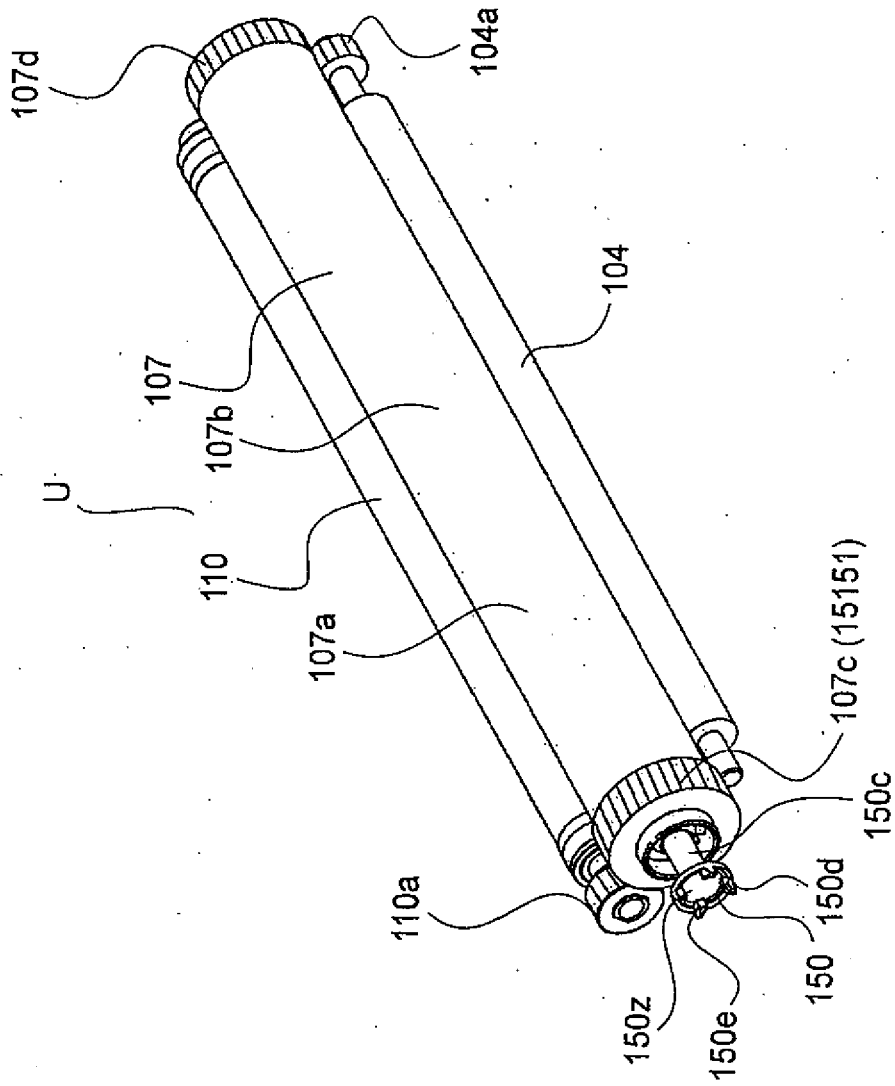


FIG.112