



US00D744906S

(12) **United States Design Patent**
Song et al.

(10) **Patent No.:** **US D744,906 S**

(45) **Date of Patent:** **** Dec. 8, 2015**

(54) **MOTORCYCLE**

(71) Applicant: **Polaris Industries Inc.**, Medina, MN (US)

(72) Inventors: **Michael M. Song**, Maple Grove, MN (US); **Gregory C. Brew**, Minnetonka, MN (US)

(73) Assignee: **Polaris Industries Inc.**, Medina, MN (US)

(**) Term: **14 Years**

(21) Appl. No.: **29/469,558**

(22) Filed: **Oct. 11, 2013**

(51) **LOC (10) Cl.** **12-11**

(52) **U.S. Cl.**
USPC **D12/110**

(58) **Field of Classification Search**
USPC D12/110, 107, 182, 194, 126, 114, 117, D12/218; D21/538, 432; D26/28; 296/193.09, 78.1, 198, 105; 180/219, 180/220, 225, 229; 280/281.1
CPC B62K 11/04; B62K 2202/00; B62K 2204/00; B62K 11/00; B62K 19/30; B62K 25/283; B62K 11/10; B62K 19/16; F02B 61/02; B60Y 2200/12; B60L 2200/12; B62M 7/12; B62M 7/02; F02M 35/162; Y02T 10/7005

See application file for complete search history.

(56) **References Cited**

U.S. PATENT DOCUMENTS

D225,483 S *	12/1972	Ikeda	D12/110
D241,330 S *	9/1976	Morioka	D12/110
D254,540 S *	3/1980	Miyachi et al.	D12/110
D255,559 S *	6/1980	Morioka et al.	D12/110

D267,638 S	1/1983	Iwasaki
D268,999 S	5/1983	Nakano
D271,865 S	12/1983	Morioka
D272,138 S	1/1984	Ishiyama
D273,851 S	5/1984	Nagashima
D273,852 S	5/1984	Ishiyama
D274,421 S	6/1984	Iwakura
D274,423 S	6/1984	Horikoshi
D277,090 S	1/1985	Iwakura
D279,086 S	6/1985	Gevert
D283,604 S	4/1986	Gevert

(Continued)

OTHER PUBLICATIONS

Cycle World, "2014 Star/Yamaha Bolt and Bolt R-Spec—First Look," Blake Conner, available at <http://www.cycleworld.com/2013/03/09/2014-yamaha-star-bolt-and-bolt-r-spec-first-look-review/>, dated Mar. 9, 2013, 15 pages.

(Continued)

Primary Examiner — Robert M Spear

Assistant Examiner — Ryan Harvey

(74) *Attorney, Agent, or Firm* — Faegre Baker Daniels LLP

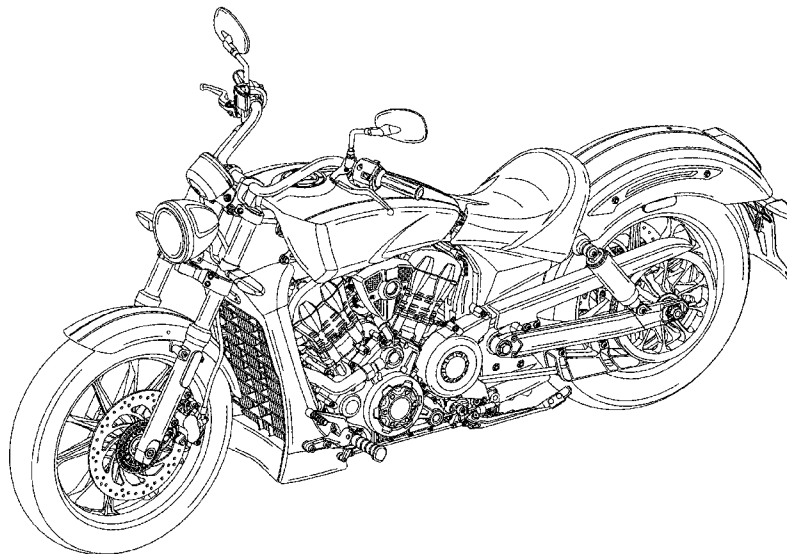
(57) **CLAIM**

We claim the ornamental design for a motorcycle, as shown and described.

DESCRIPTION

FIG. 1 is a left front perspective view of a motorcycle; FIG. 2 is a right rear perspective view of the motorcycle of FIG. 1; FIG. 3 is a left side view of the motorcycle of FIG. 1; FIG. 4 is a right side view of the motorcycle of FIG. 1; FIG. 5 is a top view of the motorcycle of FIG. 1; FIG. 6 is a front view of the motorcycle of FIG. 1; and, FIG. 7 is a rear view of the motorcycle of FIG. 1.

1 Claim, 6 Drawing Sheets



(56)

References Cited

U.S. PATENT DOCUMENTS

D283,689 S 5/1986 Nakano
 D297,721 S 9/1988 Kaneko
 D299,710 S 2/1989 Iwakura
 D305,520 S 1/1990 Kikuchi
 D305,748 S 1/1990 Kaneko
 D339,087 S 9/1993 Gibbons
 D344,046 S 2/1994 Kitagawa
 D372,442 S 8/1996 Kitagawa
 D375,281 S 11/1996 Kitagawa
 D379,605 S * 6/1997 Kishi et al. D12/110
 D382,835 S 8/1997 Abe
 D383,096 S 9/1997 Abe
 D388,746 S 1/1998 Davidson
 D391,527 S 3/1998 Maruyama
 D392,601 S 3/1998 Ban
 D394,233 S 5/1998 Yamamoto
 D395,621 S 6/1998 Nishino
 D396,204 S 7/1998 Kishi
 D398,265 S 9/1998 Robb
 D401,892 S 12/1998 Sugimoto
 D407,047 S 3/1999 Otsubo
 D416,215 S * 11/1999 Hanlon et al. D12/110
 D417,173 S 11/1999 Yamaguchi
 D417,415 S 12/1999 Hoagland, IV
 D437,261 S 2/2001 Capriglione
 D439,868 S 4/2001 Sugimoto
 D440,189 S 4/2001 Ban
 D442,521 S * 5/2001 Pan D12/110
 D442,892 S * 5/2001 Timmermann D12/110
 D447,722 S 9/2001 Ito
 D447,985 S * 9/2001 Ino et al. D12/110
 D453,126 S 1/2002 Nakazawa
 D454,094 S 3/2002 Miwa
 D456,748 S 5/2002 Keating
 D460,931 S 7/2002 Nakazawa
 D462,638 S 9/2002 Davidson
 D470,799 S 2/2003 Yamaguchi
 D482,300 S * 11/2003 Davidson et al. D12/110
 D482,640 S * 11/2003 TaMuRa et al. D12/110
 D497,573 S 10/2004 James
 D504,640 S * 5/2005 Conte D12/110
 D506,163 S * 6/2005 Uemoto D12/110
 D511,718 S * 11/2005 Manchester et al. D12/110
 D517,957 S * 3/2006 Savage et al. D12/110
 D522,925 S * 6/2006 Nishino D12/110
 D524,192 S * 7/2006 Sugimoto D12/110
 D525,919 S 8/2006 Sugimoto
 D528,045 S 9/2006 Yin
 D531,090 S 10/2006 Imura
 D538,202 S 3/2007 Shimizu
 D544,816 S * 6/2007 Davidson et al. D12/110
 D550,591 S * 9/2007 Mugikura D12/110
 D567,148 S * 4/2008 Inose et al. D12/110
 D572,629 S * 7/2008 Kawagishi D12/110
 D582,318 S * 12/2008 Kishi et al. D12/110
 D582,319 S 12/2008 Miwa
 D588,503 S * 3/2009 Idei et al. D12/110
 D588,504 S * 3/2009 Kawagishi D12/110
 D592,106 S 5/2009 Shimizu
 D594,785 S 6/2009 Sasanami
 D597,891 S 8/2009 Andoh
 D597,892 S * 8/2009 Andoh D12/110
 D599,253 S 9/2009 Isokari
 D603,759 S 11/2009 Nakazawa
 D604,204 S * 11/2009 Uchiyama D12/110
 D605,087 S 12/2009 Wong
 D605,088 S * 12/2009 Tanaka et al. D12/110
 D610,044 S * 2/2010 Sugimoto D12/110
 D611,882 S * 3/2010 Sugimoto D12/110
 D619,934 S 7/2010 Li
 D626,036 S * 10/2010 Yamazumi et al. D12/110
 D628,521 S * 12/2010 Kishi et al. D12/110
 D635,060 S * 3/2011 Ota D12/110
 D637,523 S * 5/2011 Sugimoto et al. D12/110
 D637,525 S 5/2011 Sugimoto

D640,606 S 6/2011 Lai
 D649,914 S 12/2011 Marasco
 D656,068 S 3/2012 Song
 D666,530 S 9/2012 Birtulescu
 D683,270 S * 5/2013 Song D12/110
 D683,271 S * 5/2013 Song D12/110
 D684,901 S 6/2013 Chiu
 D690,623 S 10/2013 Tsukui
 D694,154 S * 11/2013 Arru et al. D12/110
 D695,648 S 12/2013 Yamazaki
 D716,702 S * 11/2014 Song et al. D12/110
 D723,430 S 3/2015 Schmidt
 D723,979 S 3/2015 Yu

OTHER PUBLICATIONS

The Kathmandu Post, "Bbm rolls out Korean cruiser," available at <http://www.ekantipur.com/the-kathmandu-post/2012/08/28/money/bbm-rolls-out-korean-cruiser/238966.html>, dated Aug. 29, 2012, 3 pages.
 Cycle World, "Frugal Fuelers: Harley-Davidson SL883 Sportster—First Look," Blake Conner, available at <http://www.cycleworld.com/2008/07/16/frugal-fuelers-harley-davidson-x1883-sportster-first-look/>, dated Jul. 16, 2008, 7 pages.
 Top Speed, "2013 Yamaha V-Star 650 Custom," available at <http://www.topspeed.com/motorcycles/motorcycle-reviews/yamaha/2013-yamaha-v-star-650-custom-ar150464.html>, dated Apr. 10, 2013, 9 pages.
 Honda, "2013 Shadow Spirit 750," available at <http://powersports.honda.com/2013/shadow-spirit-750.aspx>, available at least as early as Sep. 13, 2012, 2 pages.
 Top Speed, "2014 Kawasaki Vulcan 900 Custom," available at <http://www.topspeed.com/motorcycles/motorcycle-reviews/kawasaki/2014-kawasaki-vulcan-900-custom-ar160384.html>, dated Sep. 18, 2013, 11 pages.
 Top Speed, "2013 Kawasaki Vulcan 900 Custom," available at <http://www.topspeed.com/motorcycles/motorcycle-reviews/kawasaki/2013-kawasaki-vulcan-900-custom-ar155067.html>, dated Jun. 4, 2013, 12 pages.
 Top Speed, "2013 Suzuki Boulevard M50," available at <http://www.topspeed.com/motorcycles/motorcycle-reviews/suzuki/2013-suzuki-boulevard-m50-ar149032.html>, dated Mar. 27, 2013, 8 pages.
 Cruiser, "Allmond Cycle Design Victory—As Easy As XYZ," Bob Clarke, available at <http://www.motorcyclecruiser.com/allmond-cycle-design-victory-easy-xyz>, dated Feb. 17, 2011, 7 pages.
 Cruiser, "2014 Star Bolt-First Ride," Andy Cherney, available at <http://www.motorcyclecruiser.com/cruisers/2014-star-bolt-first-ride>, dated Apr. 20, 2013, 4 pages.
 Cruiser, "Readers' Rides—'85 Suzuki Madura GV 1200GLF," available at <http://www.motorcyclecruiser.com/cruisers/readers-rides-85-suzuki-madura-gv-1200glf>, dated Oct. 8, 2012, 3 pages.
 Cruiser, "Readers' Rides—'2009 900 Vulcan Classic," available at <http://www.motorcyclecruiser.com/cruisers/readers-rides-2009-900-vulcan-classic>, dated Oct. 8, 2012, 4 pages.
 Cruiser, "2012 Royal Enfield Bullet C5 Chrome—Long-Term Bikes," available at <http://www.motorcyclecruiser.com/cruisers/2012-royal-enfield-bullet-c5-chrome-long-term-bikes>, dated Sep. 27, 2012, 4 pages.
 Cruiser, "Readers' Rides—'99 Shadow Spirit VT1100C," <http://www.motorcyclecruiser.com/cruisers/readers-rides-99-shadow-spirit-vt1100c>, dated Aug. 7, 2012, 3 pages.
 Cruiser, "2011 Star Stryker—Long-Term Bikes," Billy Bartels, available at <http://www.motorcyclecruiser.com/cruisers/2011-star-stryker-long-term-bikes>, dated Jul. 12, 2011, 3 pages.
 Cruiser, "2011 Ducati Diavel—First Ride," Billy Bartels, available at <http://www.motorcyclecruiser.com/news/2011-ducatti-diavel-first-ride>, dated May 25, 2011, 3 pages.
 Cruiser, "2011 Hyosung ST7—First Ride," Andrew Cherney, available at <http://www.motorcyclecruiser.com/cruisers/2011-hyosung-st7-first-ride>, dated Mar. 25, 2011, 5 pages.
 Cruiser, "Star Road Star S-Ape Star," Bill Bartels, available at <http://www.motorcyclecruiser.com/cruisers/star-road-star-s-ape-star>, dated May 7, 2010, 4 pages.

(56)

References Cited

OTHER PUBLICATIONS

Cruiser, "First Ride: 2010 Honda Shadow Phantom," Andrew Cherney, available at <http://www.motorcyclecruiser.com/cruisers/first-ride-2010-honda-shadow-phantom>, dated Feb. 26, 2010, 3 pages.

Cruiser, "2006 Harley-Davidson VRSCD Night Rod Motorcycle Road Test," available at <http://www.motorcyclecruiser.com/2006->

[harley-davidson-vrscd-night-rod-motorcycle-road-test](#), dated Feb. 24, 2009, 5 pages.

Top Speed, "2011 Star Motorcycle V Star 950," Kirby Garlitos, available at <http://www.topspeed.com/motorcycles/motorcycle-reviews/star-motorcycles/2011-star-motorcycle-v-star-950-ar114644.html>, dated Sep. 26, 2011, 8 pages.

HubPages, "Top 100 Ugliest Motorcycles-10 Current Cruisers," available at <http://hallicino.hubpages.com/hub/Top-100-Ugliest-Motorcycles---10-Current-Cruisers>, dated Mar. 20, 2011, 6 pages.

* cited by examiner

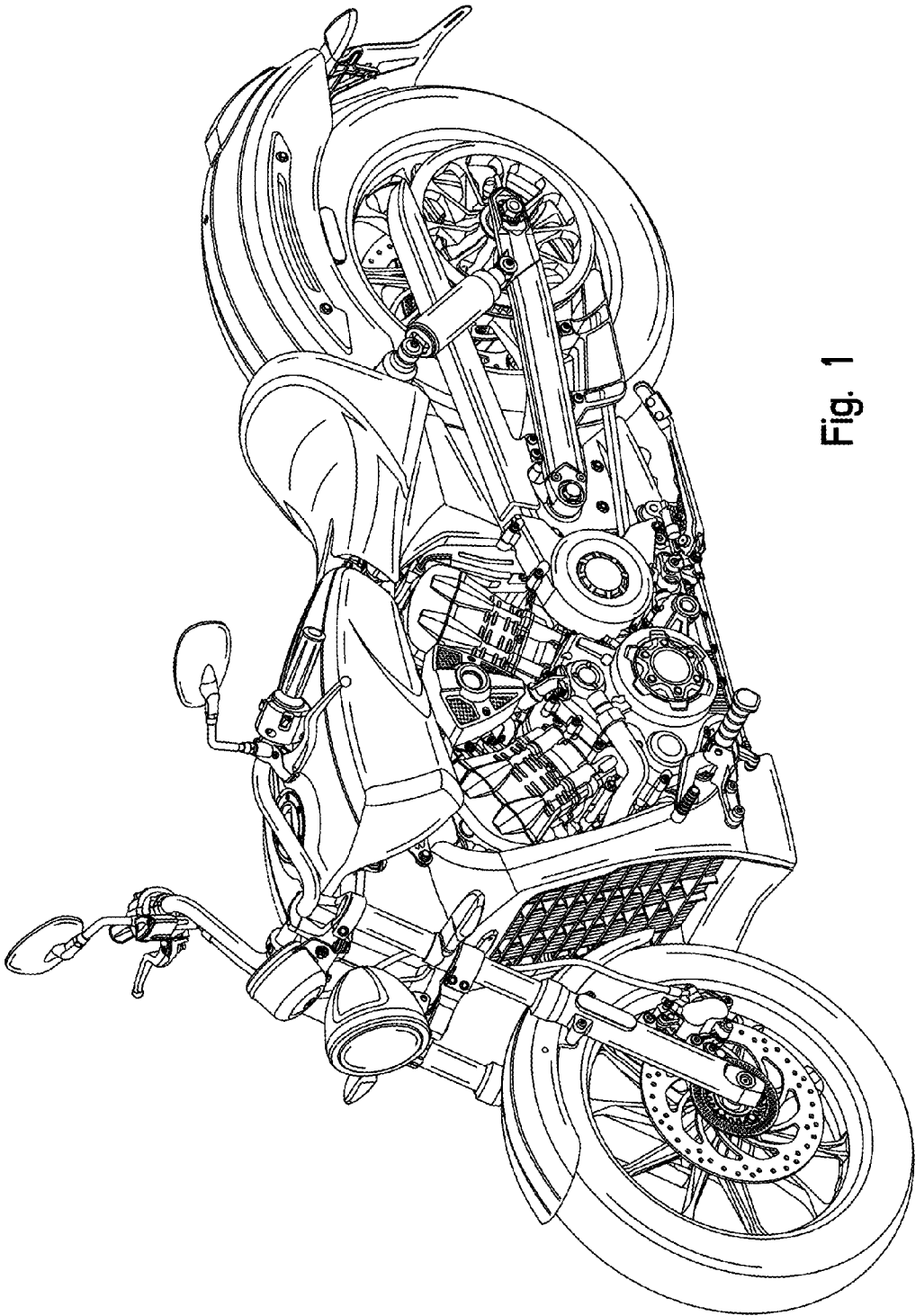


Fig. 1

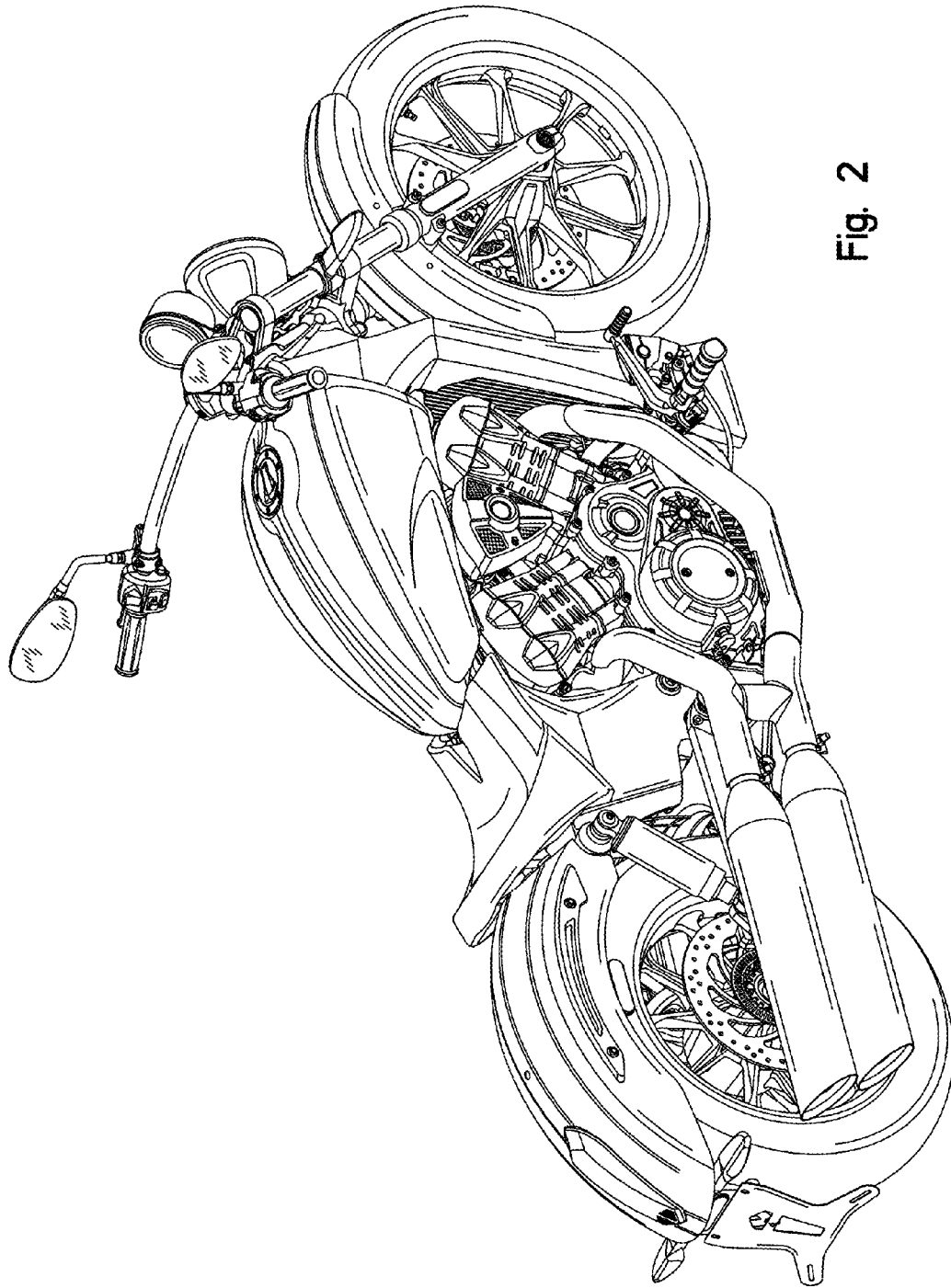


Fig. 2

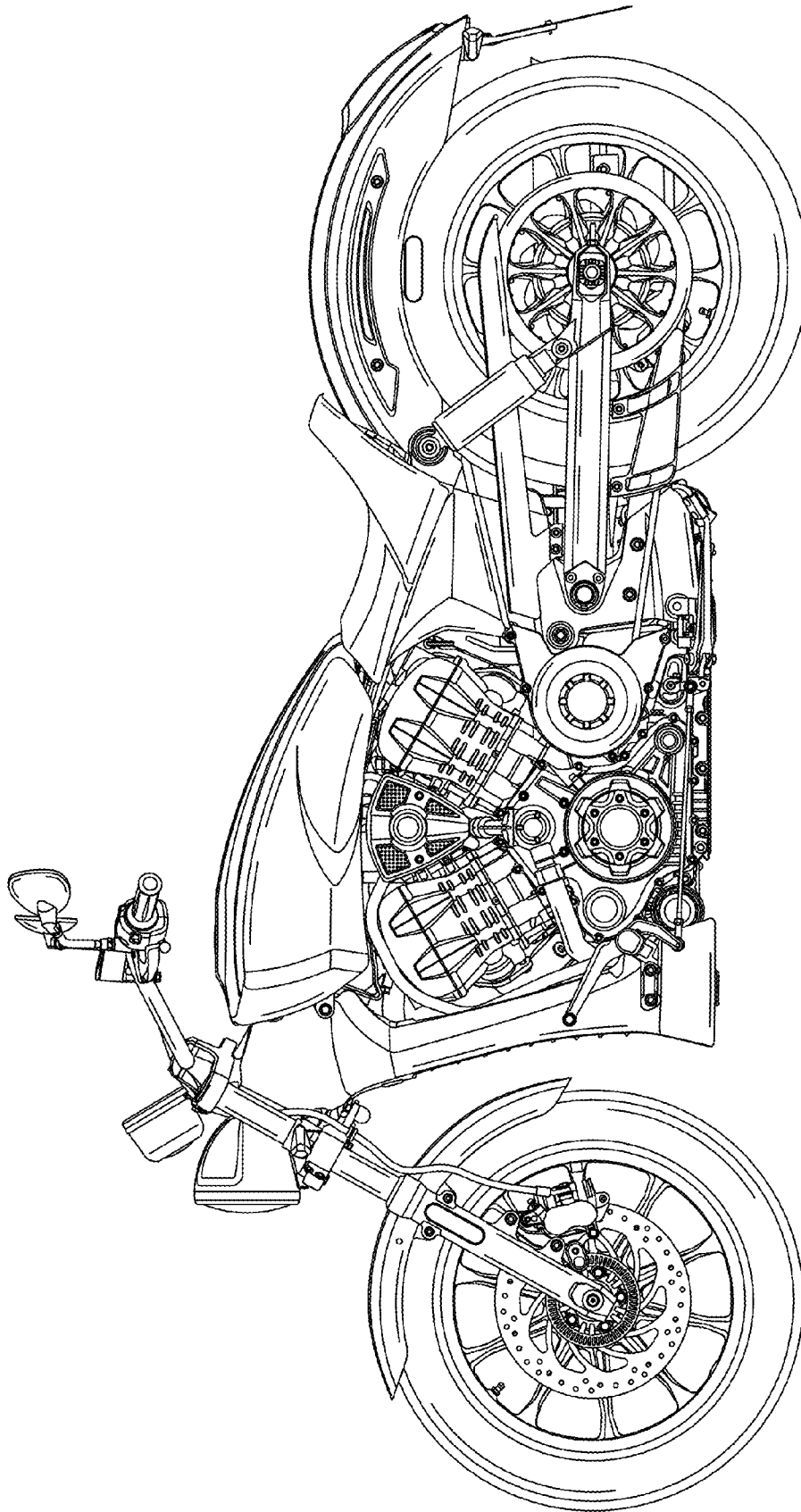


Fig. 3

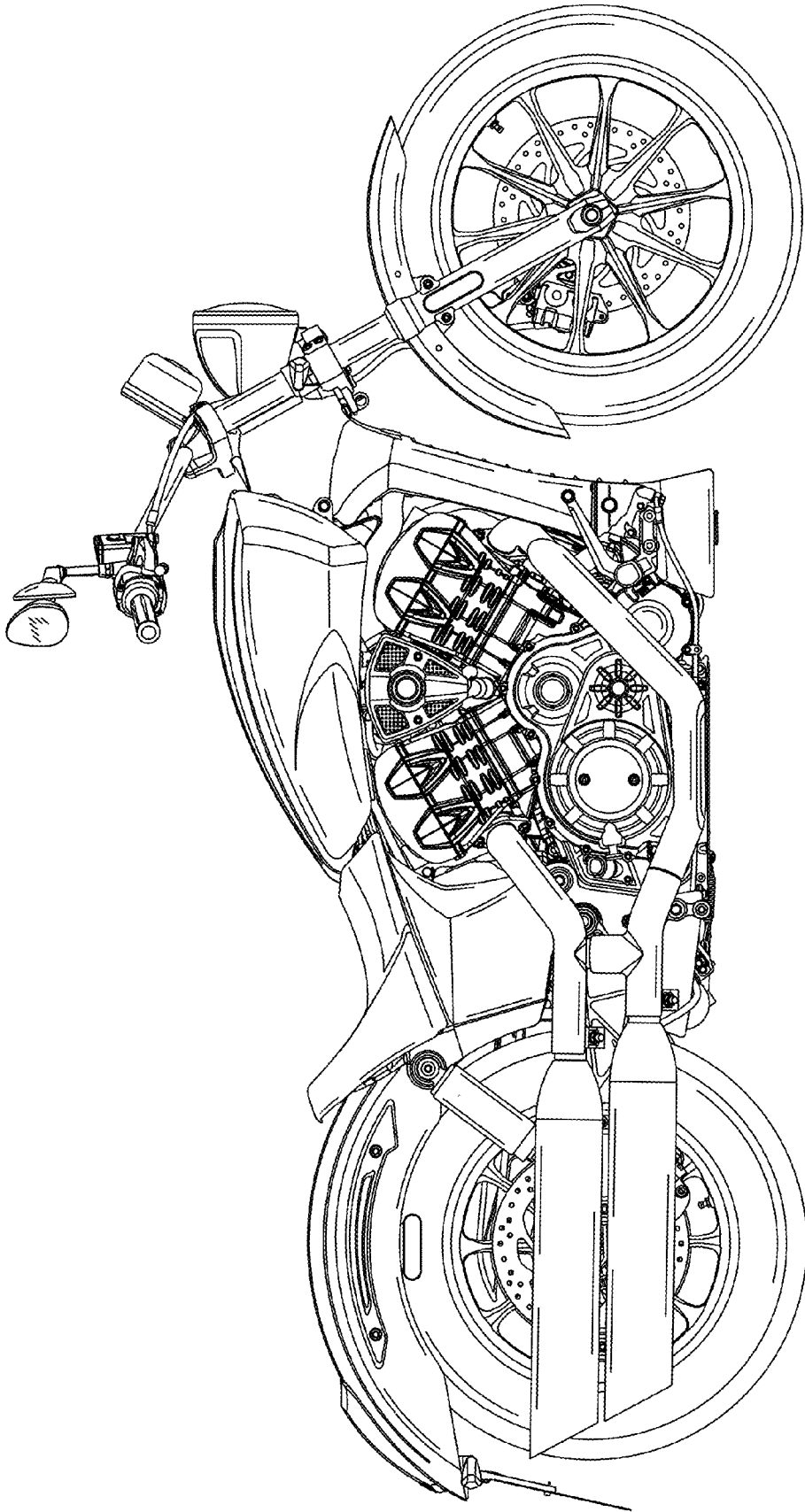


Fig. 4

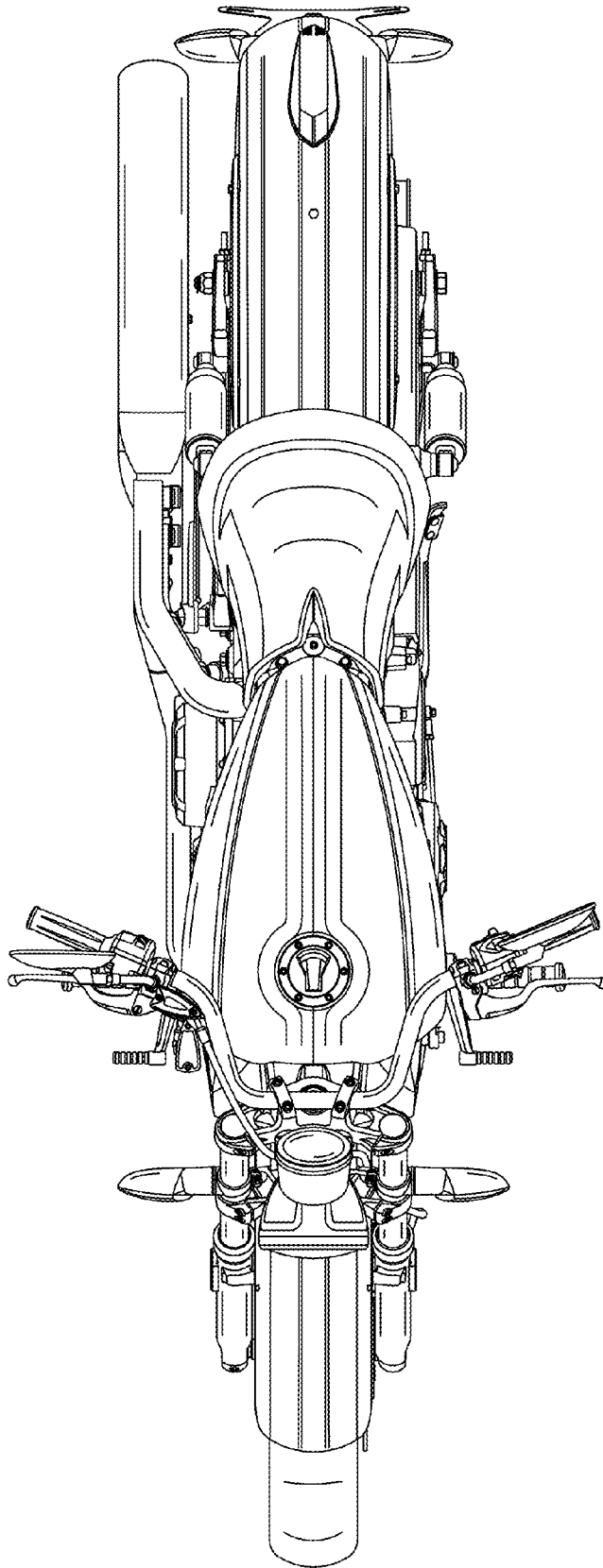


Fig. 5

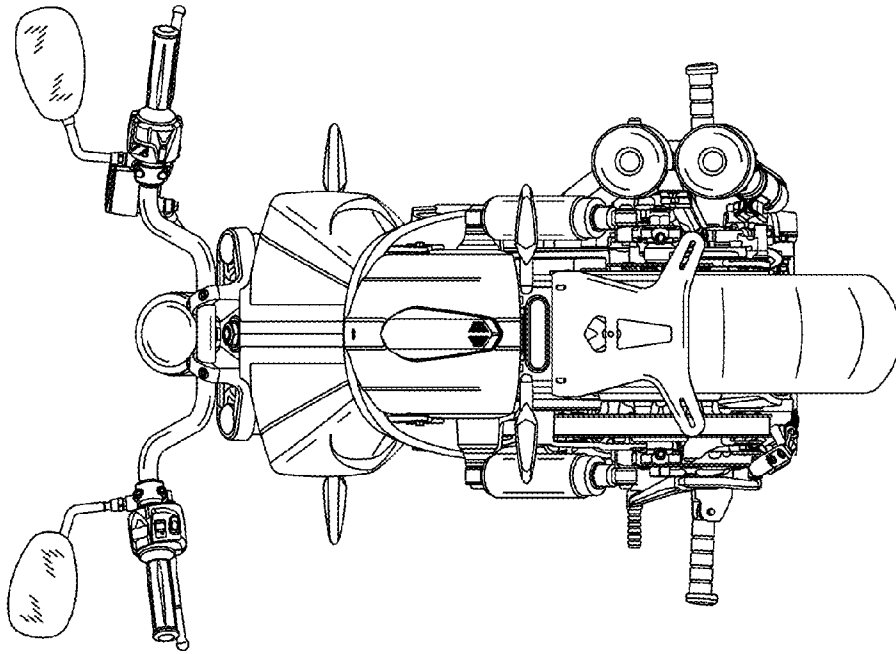


Fig. 7

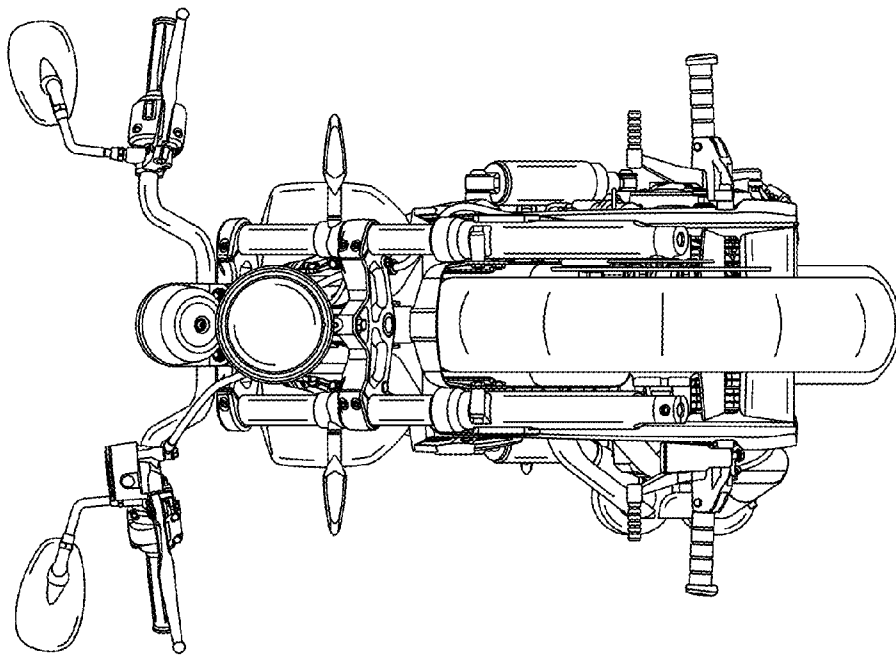


Fig. 6