



US00D933758S

(12) **United States Design Patent**
Pai

(10) **Patent No.:** **US D933,758 S**

(45) **Date of Patent:** **** Oct. 19, 2021**

(54) **CONTROL DEVICE OF GAME CONTROLLER**

(71) Applicant: **ZEROPLUS TECHNOLOGY CO., LTD.**, New Taipei (TW)

(72) Inventor: **Tsan-Hsing Pai**, New Taipei (TW)

(73) Assignee: **ZEROPLUS TECHNOLOGY CO., LTD.**, New Taipei (TW)

(**) Term: **15 Years**

(21) Appl. No.: **29/692,394**

(22) Filed: **May 24, 2019**

(30) **Foreign Application Priority Data**

Jan. 4, 2019 (TW) 108300071

(51) **LOC (13) Cl.** **21-02**

(52) **U.S. Cl.**
USPC **D21/566**

(58) **Field of Classification Search**
USPC D26/566, 568, 567, 569, 570, 571, 436,
D26/441, 453, 454

CPC A63F 13/24; A63F 13/98
See application file for complete search history.

(56) **References Cited**

U.S. PATENT DOCUMENTS

5,243,958 A * 9/1993 Shepley, Jr. F41B 5/0031
124/23.1
D515,635 S * 2/2006 Takahashi D21/566
D783,756 S * 4/2017 McPherson D22/107
D784,202 S * 4/2017 Park D12/16.1
D808,466 S * 1/2018 Foster D21/333
D869,333 S * 12/2019 Boyle D12/16.1
D879,908 S * 3/2020 Nelson F41B 5/0031
D22/113

D895,757 S * 9/2020 Leis A63F 13/98
2005/0168373 A1* 8/2005 Mukaida A63H 30/04
341/176
2018/0318721 A1* 11/2018 James A63F 13/98

(Continued)

FOREIGN PATENT DOCUMENTS

CN 301394644 * 11/2010
CN 303307562 * 7/2015
CN 304537102 * 3/2018

(Continued)

OTHER PUBLICATIONS

“Collective Minds Strike Pack F.P.S.,” Oct. 26, 2016, amazon.ca, site visited May 3, 2021, URL: <https://www.amazon.ca/Collective-Minds-Dominator-Controller-Adapter/dp/B01L8QHXJA> (Year: 2016).*

(Continued)

Primary Examiner — Eric L Goodman

Assistant Examiner — Sarah L Smith

(74) *Attorney, Agent, or Firm* — Tracy M Heims; Apex Juris, PLLc.

(57) **CLAIM**

The ornamental design for a control device of game controller, as shown and described.

DESCRIPTION

FIG. 1 is a perspective view of a control device of game controller;

FIG. 2 is another perspective view thereof;

FIG. 3 is a front view thereof;

FIG. 4 is a rear view thereof;

FIG. 5 is a left side view thereof;

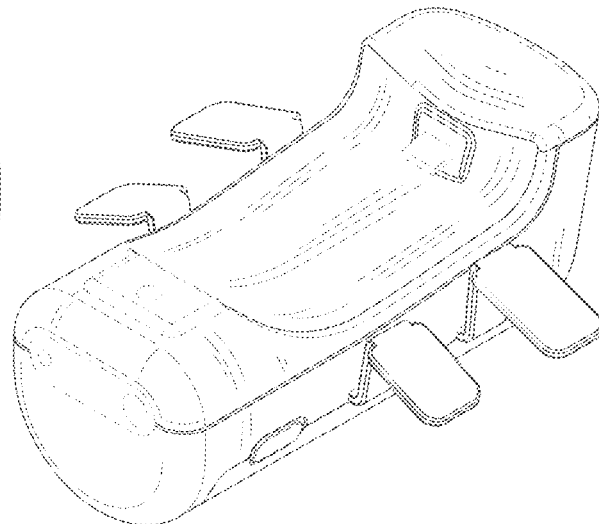
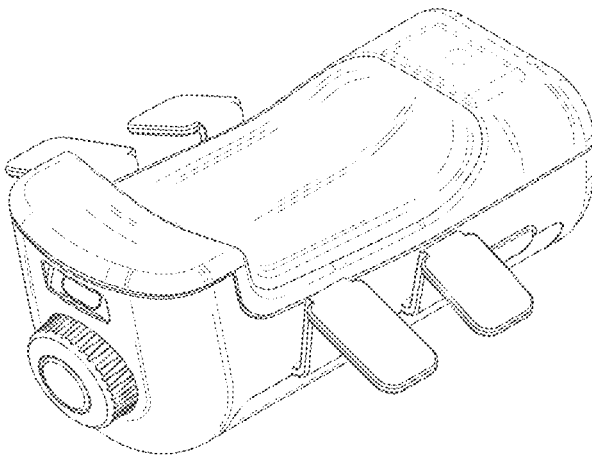
FIG. 6 is a right side view thereof;

FIG. 7 is a top view thereof; and,

FIG. 8 is a bottom view thereof.

The broken lines depict portions or environment that form no part of the claimed design.

1 Claim, 8 Drawing Sheets



(56)

References Cited

U.S. PATENT DOCUMENTS

2019/0118079 A1* 4/2019 Bellinghausen A63F 13/98
2020/0222799 A1* 7/2020 Chang A63F 13/24

FOREIGN PATENT DOCUMENTS

EM 001267231-0007 * 6/2011
EM 006392494-0003 * 5/2019
EP 1475688 A2 * 11/2004 A63F 13/22
GB 2526811 A * 12/2015 A63F 13/92
KR 300747467.0000 * 6/2014
WO US 20190176031 A1 * 6/2019 A63F 13/00
WO US 20200222799 A1 * 7/2020 A63F 13/235

OTHER PUBLICATIONS

“The \$40 Scuf Alternative!?” Aug. 5, 2017, youtube.com, site visited May 3, 2021, URL: <https://www.youtube.com/watch?v=FLHWJxi0yqA> (Year: 2017).*

“Remote Controller for Wii Nintendo,” Jan. 16, 2018, amazon.com, site visited May 3, 2021, URL: <https://www.amazon.com/Controller-Remote-Nunchuck-Controllers-Silicon/dp/B07B479RLP/> (Year: 2018).*

“OSTENT Portable Rechargeable Battery Pack,” Jun. 13, 2018, amazon.com, site visited May 3, 2021, URL: https://www.amazon.com/Portable-Rechargeable-Wireless-Controller-PlayStation-4/dp/B07DPH1XYK/ref=sr_1_7?dchild=1&keywords=PS4+Controller+Battery+Products&qid=1620063784&sr=8-7 (Year: 2018).*

* cited by examiner

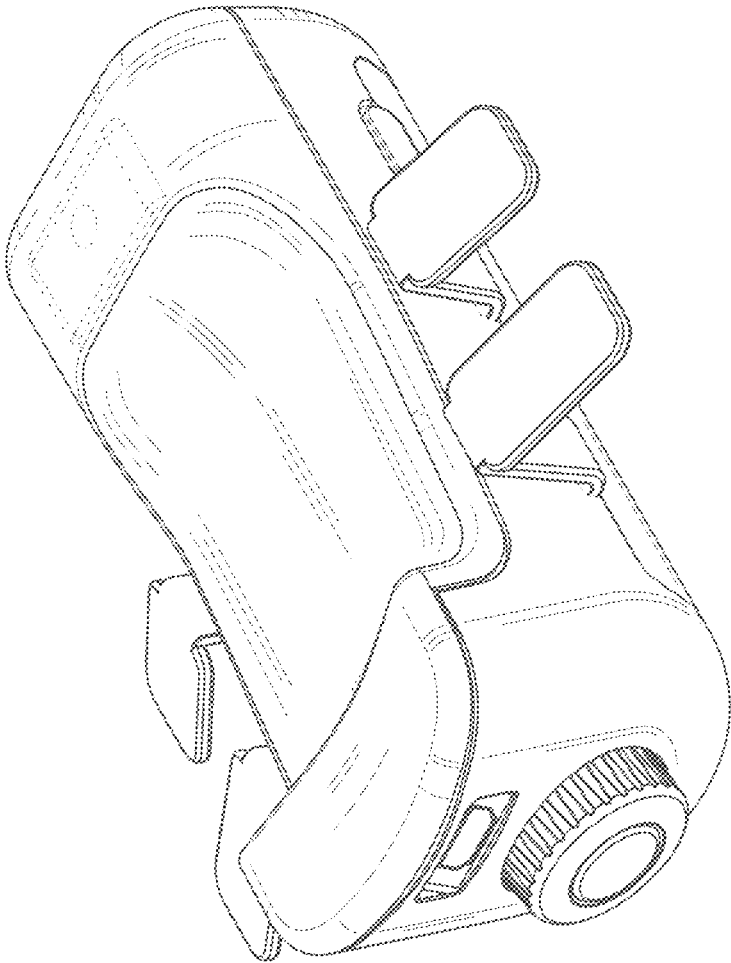


FIG. 1



FIG. 2

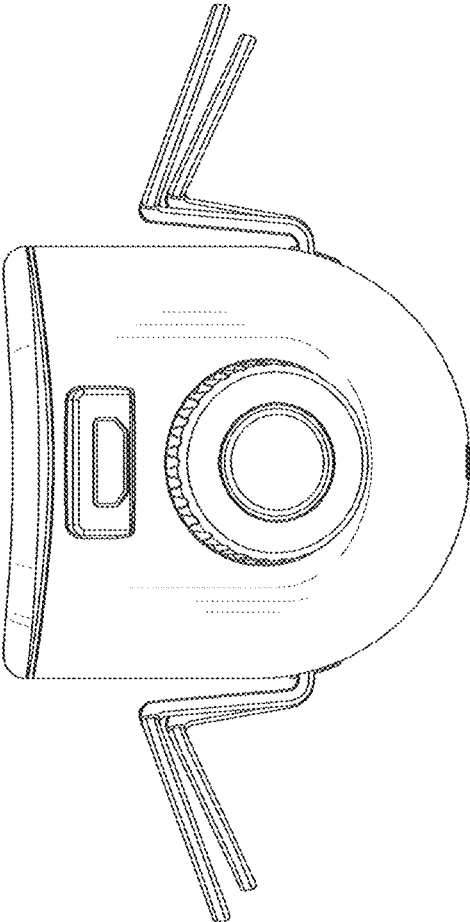


FIG. 3

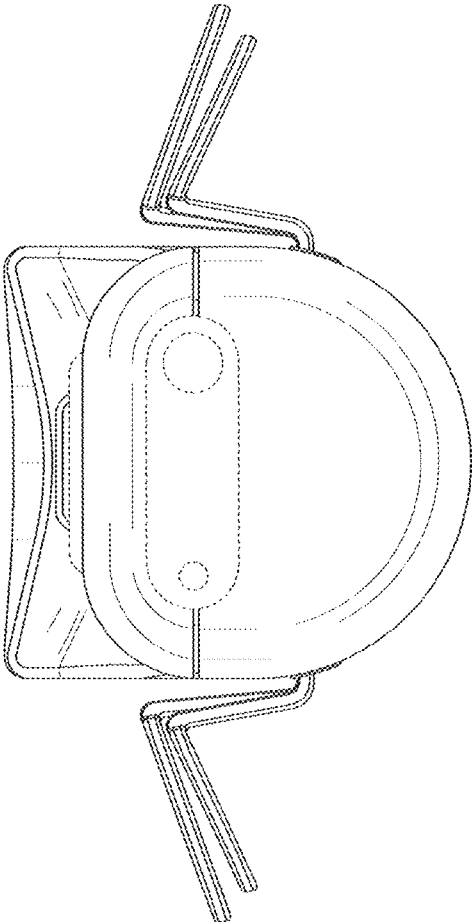


FIG. 4

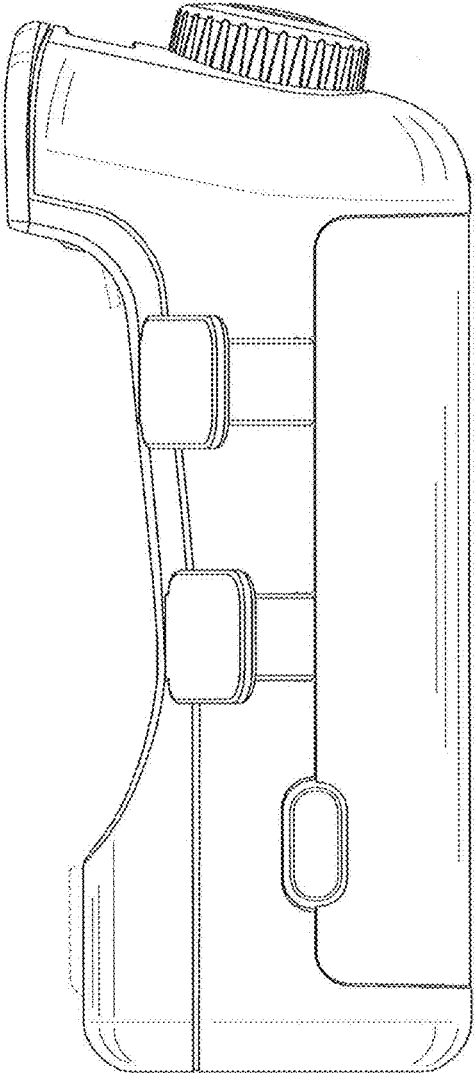


FIG. 5

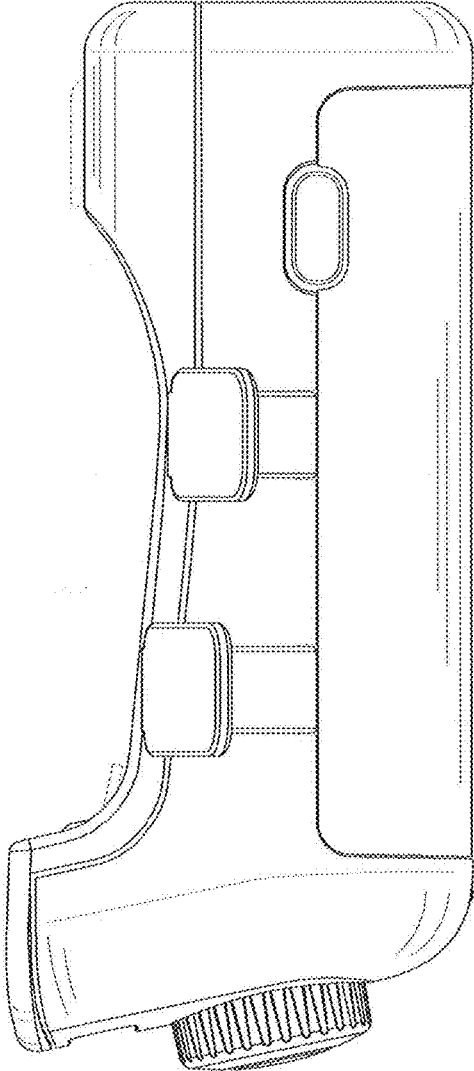


FIG. 6

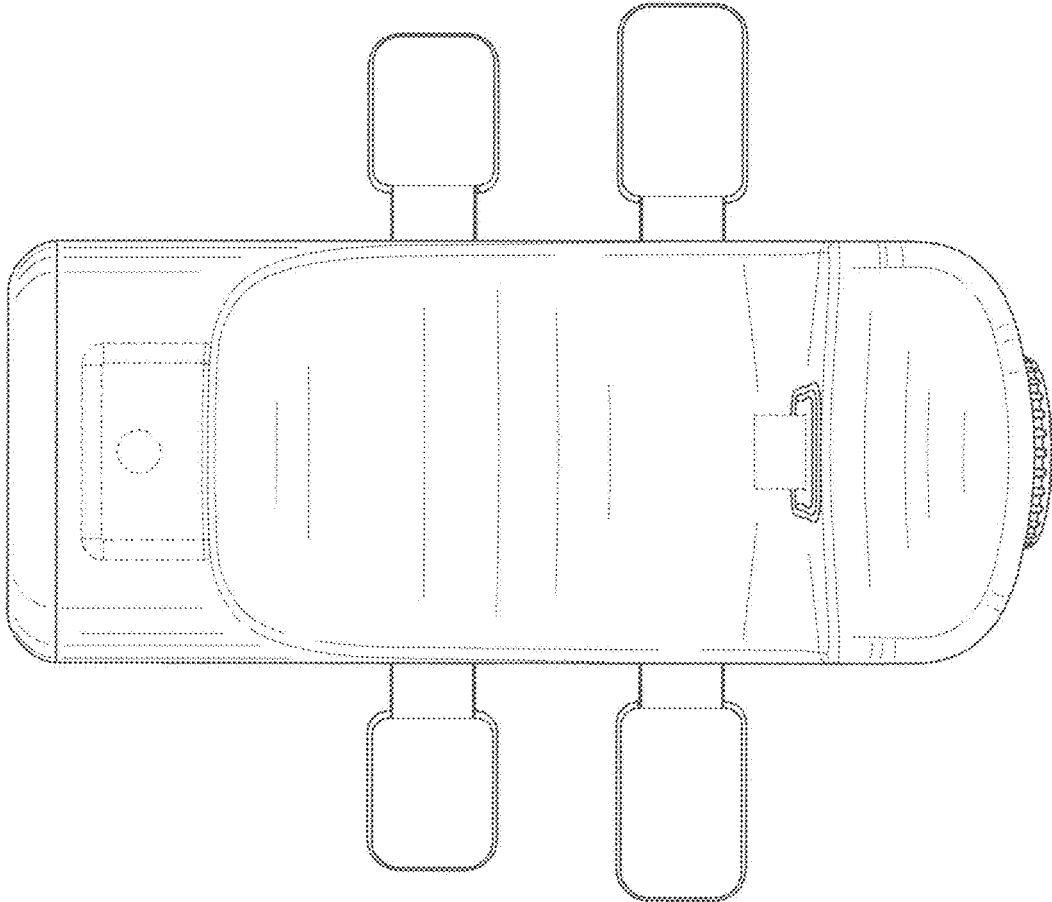


FIG. 7

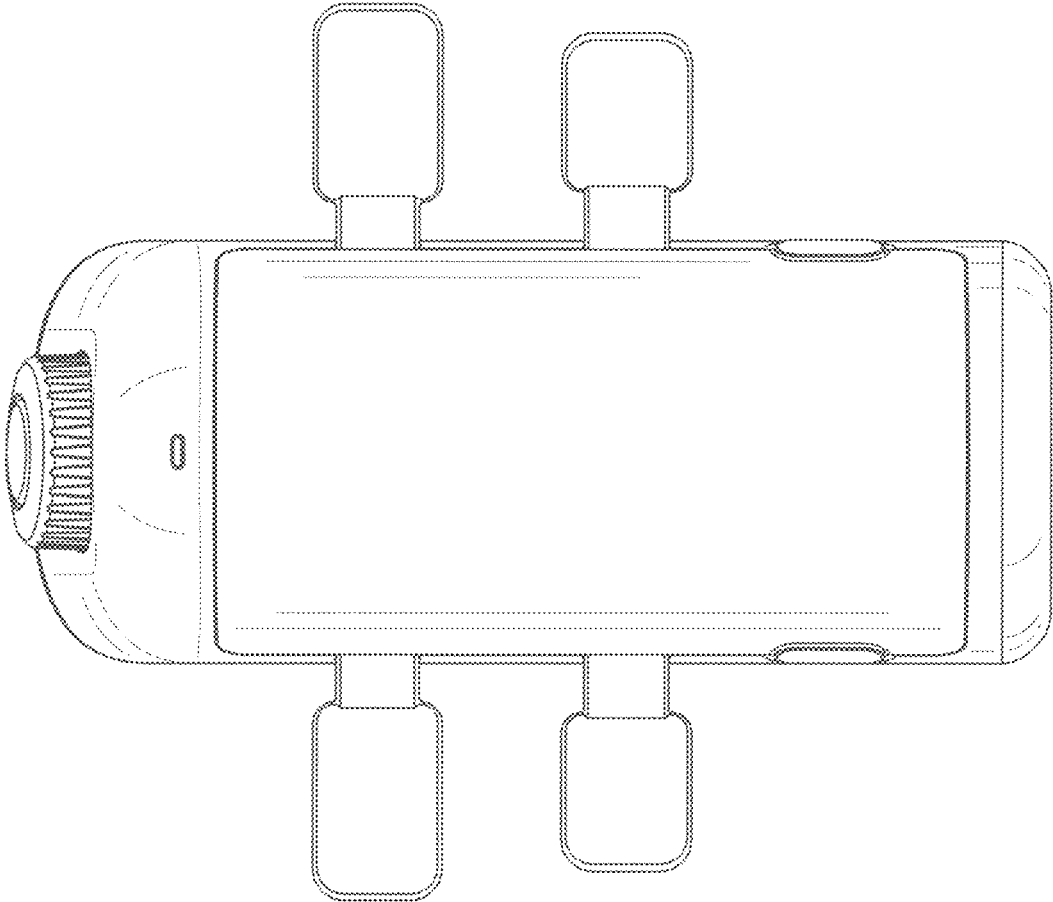


FIG. 8