

(19) World Intellectual Property Organization
International Bureau



(43) International Publication Date
26 April 2007 (26.04.2007)

PCT

(10) International Publication Number
WO 2007/046824 A3

- (51) International Patent Classification:
F41G 1/32 (2006.01)
- (21) International Application Number:
PCT/US2005/043276
- (22) International Filing Date:
29 November 2005 (29.11.2005)
- (25) Filing Language: English
- (26) Publication Language: English
- (30) Priority Data:
11/021,748 23 December 2004 (23.12.2004) US
- (71) Applicant (for all designated States except US):
RAYTHEON COMPANY [US/US]; 870 Winter Street,
Waltham, MA 02451 (US).
- (72) Inventor: FLORENCE, James, M.; 4803 STONY
FORD DRIVE, Dallas, TX 75287 (US).
- (74) Agents: SCHUBERT, William, C. et al.; C/O
RAYTHEON COMPANY, 2000 East El Segundo Boule-
vard, M/S EO/E04/N119, P.O. Box 902, El Segundo, CA
90245-0902 (US).
- (81) Designated States (unless otherwise indicated, for every
kind of national protection available): AE, AG, AL, AM,
AT, AU, AZ, BA, BB, BG, BR, BW, BY, BZ, CA, CH, CN,

CO, CR, CU, CZ, DE, DK, DM, DZ, EC, EE, EG, ES, FI,
GB, GD, GE, GH, GM, HR, HU, ID, IL, IN, IS, JP, KE,
KG, KM, KN, KP, KR, KZ, LC, LK, LR, LS, LT, LU, LV,
LY, MA, MD, MG, MK, MN, MW, MX, MZ, NA, NG, NI,
NO, NZ, OM, PG, PH, PL, PT, RO, RU, SC, SD, SE, SG,
SK, SL, SM, SY, TJ, TM, TN, TR, TT, TZ, UA, UG, US,
UZ, VC, VN, YU, ZA, ZM, ZW.

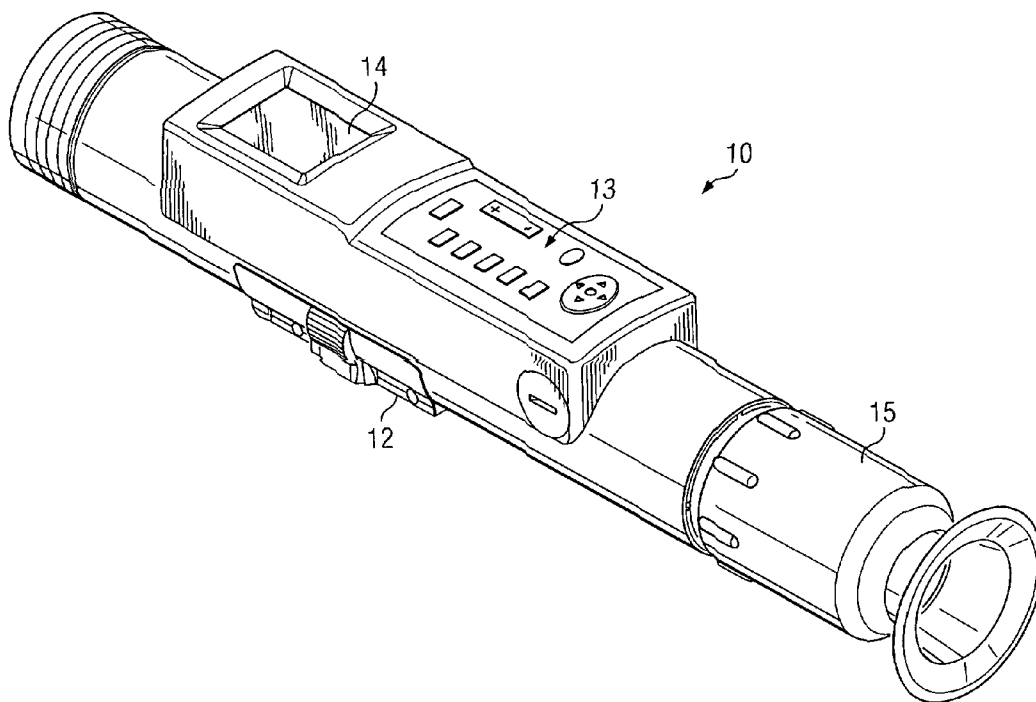
(84) Designated States (unless otherwise indicated, for every
kind of regional protection available): ARIPO (BW, GH,
GM, KE, LS, MW, MZ, NA, SD, SL, SZ, TZ, UG, ZM,
ZW), Eurasian (AM, AZ, BY, KG, KZ, MD, RU, TJ, TM),
European (AT, BE, BG, CH, CY, CZ, DE, DK, EE, ES, FI,
FR, GB, GR, HU, IE, IS, IT, LT, LU, LV, MC, NL, PL, PT,
RO, SE, SI, SK, TR), OAPI (BF, BJ, CF, CG, CI, CM, GA,
GN, GQ, GW, ML, MR, NE, SN, TD, TG).

Published:
— with international search report
— before the expiration of the time limit for amending the
claims and to be republished in the event of receipt of
amendments

(88) Date of publication of the international search report:
23 August 2007

For two-letter codes and other abbreviations, refer to the "Guid-
ance Notes on Codes and Abbreviations" appearing at the begin-
ning of each regular issue of the PCT Gazette.

(54) Title: METHOD AND APPARATUS FOR SAFE OPERATION OF AN ELECTRONIC FIREARM SIGHT DEPENDING UPON DETECTED AMBIENT ILLUMINATION



(57) Abstract: A weapon sight can be mounted on a weapon. According to a different aspect of the invention, the sight can detect a level of ambient illumination, and takes a selected action if the detected illumination level is below a selected level.



WO 2007/046824 A3

INTERNATIONAL SEARCH REPORT

International application No
PCT/US2005/043276

A. CLASSIFICATION OF SUBJECT MATTER
INV. F41G1/32

According to International Patent Classification (IPC) or to both national classification and IPC

B. FIELDS SEARCHED

Minimum documentation searched (classification system followed by classification symbols)
F41G

Documentation searched other than minimum documentation to the extent that such documents are included in the fields searched

Electronic data base consulted during the international search (name of data base and, where practical, search terms used)

EPO-Internal, WPI Data

C. DOCUMENTS CONSIDERED TO BE RELEVANT

Category*	Citation of document, with indication, where appropriate, of the relevant passages	Relevant to claim No.
X	US 6 412 208 B1 (MIKUTA RICHARD [US] ET AL) 2 July 2002 (2002-07-02) abstract	1-6, 13-18
A	column 4, line 14 - column 16, line 59; figures 1-20	11,12

X	US 5 735 070 A (VASQUEZ EDUARDO C [US] ET AL) 7 April 1998 (1998-04-07) abstract	1-6, 13-18
A	column 6, line 36 - column 12, line 8; figures 1-23	11,12

X	US 6 360 469 B1 (MIKUTA RICHARD [US] ET AL) 26 March 2002 (2002-03-26) abstract	1-6, 13-18
A	column 4, line 16 - column 16, line 40; figures 1-20	11,12

-/--		

Further documents are listed in the continuation of Box C.

See patent family annex.

* Special categories of cited documents :

- *A* document defining the general state of the art which is not considered to be of particular relevance
- *E* earlier document but published on or after the international filing date
- *L* document which may throw doubts on priority claim(s) or which is cited to establish the publication date of another citation or other special reason (as specified)
- *O* document referring to an oral disclosure, use, exhibition or other means
- *P* document published prior to the international filing date but later than the priority date claimed

- *T* later document published after the international filing date or priority date and not in conflict with the application but cited to understand the principle or theory underlying the invention
- *X* document of particular relevance; the claimed invention cannot be considered novel or cannot be considered to involve an inventive step when the document is taken alone
- *Y* document of particular relevance; the claimed invention cannot be considered to involve an inventive step when the document is combined with one or more other such documents, such combination being obvious to a person skilled in the art.
- *Z* document member of the same patent family

Date of the actual completion of the international search

15 June 2007

Date of mailing of the international search report

27/06/2007

Name and mailing address of the ISA/

European Patent Office, P.B. 5818 Patentlaan 2
NL - 2280 HV Rijswijk
Tel. (+31-70) 340-2040, Tx. 31 651 epo nl,
Fax: (+31-70) 340-3016

Authorized officer

Blonde1, François

INTERNATIONAL SEARCH REPORT

International application No

PCT/US2005/043276

C(Continuation). DOCUMENTS CONSIDERED TO BE RELEVANT

Category*	Citation of document, with indication, where appropriate, of the relevant passages	Relevant to claim No.
A	US 5 862 618 A (BROWN GARY R [US]) 26 January 1999 (1999-01-26) abstract column 2, line 48 - column 4, line 14; figures 1-5 -----	1-6, 11-18
A	US 5 359 800 A (FISHER BRADLEY [IL] ET AL) 1 November 1994 (1994-11-01) abstract column 3, line 59 - column 6, line 66; figures 1-4 -----	1-6, 11-18

INTERNATIONAL SEARCH REPORT

International application No.
PCT/US2005/043276

Box II Observations where certain claims were found unsearchable (Continuation of item 2 of first sheet)

This International Search Report has not been established in respect of certain claims under Article 17(2)(a) for the following reasons:

1. Claims Nos.: 7 - 10
because they relate to subject matter not required to be searched by this Authority, namely:

2. Claims Nos.: 7 - 10
because they relate to parts of the International Application that do not comply with the prescribed requirements to such an extent that no meaningful International Search can be carried out, specifically:
see FURTHER INFORMATION sheet PCT/ISA/210

3. Claims Nos.:
because they are dependent claims and are not drafted in accordance with the second and third sentences of Rule 6.4(a).

Box III Observations where unity of invention is lacking (Continuation of item 3 of first sheet)

This International Searching Authority found multiple inventions in this international application, as follows:

1. As all required additional search fees were timely paid by the applicant, this International Search Report covers all searchable claims.

2. As all searchable claims could be searched without effort justifying an additional fee, this Authority did not invite payment of any additional fee.

3. As only some of the required additional search fees were timely paid by the applicant, this International Search Report covers only those claims for which fees were paid, specifically claims Nos.:

4. No required additional search fees were timely paid by the applicant. Consequently, this International Search Report is restricted to the invention first mentioned in the claims; it is covered by claims Nos.:

Remark on Protest

- The additional search fees were accompanied by the applicant's protest.
- No protest accompanied the payment of additional search fees.

FURTHER INFORMATION CONTINUED FROM PCT/ISA/ 210

Continuation of Box II.2

Claims Nos.: 7 - 10

Claims 7 to 10 are missing with page 31.

The applicant's attention is drawn to the fact that claims relating to inventions in respect of which no international search report has been established need not be the subject of an international preliminary examination (Rule 66.1(e) PCT). The applicant is advised that the EPO policy when acting as an International Preliminary Examining Authority is normally not to carry out a preliminary examination on matter which has not been searched. This is the case irrespective of whether or not the claims are amended following receipt of the search report or during any Chapter II procedure. If the application proceeds into the regional phase before the EPO, the applicant is reminded that a search may be carried out during examination before the EPO (see EPO Guideline C-VI, 8.5), should the problems which led to the Article 17(2) declaration be overcome.

INTERNATIONAL SEARCH REPORT

Information on patent family members

International application No

PCT/US2005/043276

Patent document cited in search report		Publication date		Patent family member(s)		Publication date
US 6412208	B1	02-07-2002	AU	6508701 A		30-01-2002
			WO	0206756 A2		24-01-2002
US 5735070	A	07-04-1998	NONE			
US 6360469	B1	26-03-2002	AU	6702101 A		30-01-2002
			WO	0206754 A2		24-01-2002
US 5862618	A	26-01-1999	US	6014830 A		18-01-2000
US 5359800	A	01-11-1994	NONE			