



US00D914291S

(12) **United States Design Patent** (10) **Patent No.:** **US D914,291 S**
Bui (45) **Date of Patent:** **** Mar. 23, 2021**

(54) **NAIL LAMP**

OTHER PUBLICATIONS

(71) Applicant: **iGel Beauty**, Toms River, NJ (US)
(72) Inventor: **Daniel Tien Bui**, Toms River, NJ (US)
(73) Assignee: **iGel Beauty**, Toms River, NJ (US)
(**) Term: **15 Years**
(21) Appl. No.: **29/686,022**

Hybrid Pro Wireless Rechargeable UV/LED Lamp Silver [online], [site visited Aug. 20, 2020]. Available from internet, URL:<https://www.igelbeauty.com/products/hybrid-pro-wireless-rechargeable-uv-led-lamp-silver> (Year: 2020).*
Hybrid Pro Wireless Rechargeable UV/LED Lamp, announced 2019[online], [site visited Aug. 20, 2020]. Available from internet, URL:<https://www.facebook.com/iGelBeautyUSA/videos/845766135817621/> (Year: 2019).*

* cited by examiner

(22) Filed: **Apr. 2, 2019**
(51) **LOC (13) Cl.** **28-03**
(52) **U.S. Cl.**
USPC **D28/58**
(58) **Field of Classification Search**
USPC D28/12, 13, 45-50, 54.1, 58, 99
CPC B26B 19/14; B26B 19/34; B26B 19/44;
A45D 29/00; A45D 44/02; A45D
2200/205; G21K 5/00; B05D 3/0671
See application file for complete search history.

Primary Examiner — Cynthia Ramirez
Assistant Examiner — Xavier Marti-Santos
(74) *Attorney, Agent, or Firm* — Fox Rothschild LLP

(57) **CLAIM**

The ornamental designs for a nail lamp, as shown and described.

(56) **References Cited**

DESCRIPTION

U.S. PATENT DOCUMENTS

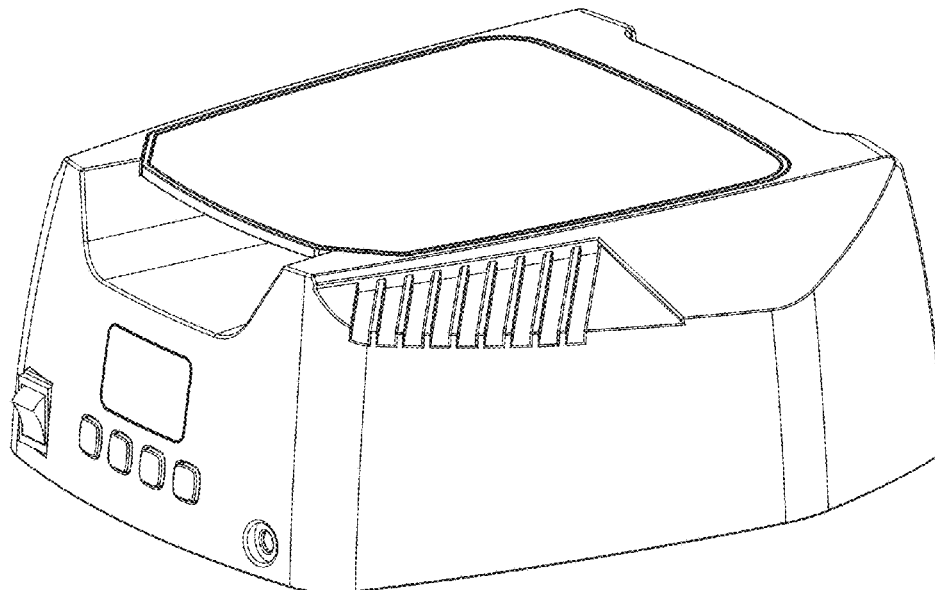
D232,327	S	*	8/1974	Waters	D28/12
D381,464	S	*	7/1997	Schaeffer	D28/54.1
D765,314	S	*	8/2016	Loibl	D28/58
D805,692	S	*	12/2017	Cheng	D28/58
D853,031	S	*	7/2019	Ouyang	D28/58
D857,993	S	*	8/2019	Hsieh	D28/58
D858,882	S	*	9/2019	Hsieh	D28/58
D858,883	S	*	9/2019	Wu	D28/58
D872,369	S	*	1/2020	Le	D28/58
10,561,218	B2	*	2/2020	Huang	B05D 3/067
D880,068	S	*	3/2020	Wu	D28/58
D890,431	S	*	7/2020	Hsieh	D28/58

FIG. 1 is a right perspective view of a nail lamp, showing my new design.
FIG. 2 is a rear perspective view of the nail lamp.
FIG. 3 is a front view of the nail lamp.
FIG. 4 is a rear view of the nail lamp.
FIG. 5 is a top plan view of the nail lamp.
FIG. 6 is a left side view of the nail lamp.
FIG. 7 is a right side view of the nail lamp; and,
FIG. 8 is a bottom plan view of the nail lamp.
The broken lines in the figures are for the purpose of illustrating portions of the Nail Lamp, which form no part of the claimed design.

FOREIGN PATENT DOCUMENTS

CN 305805333 * 1/2019

1 Claim, 7 Drawing Sheets



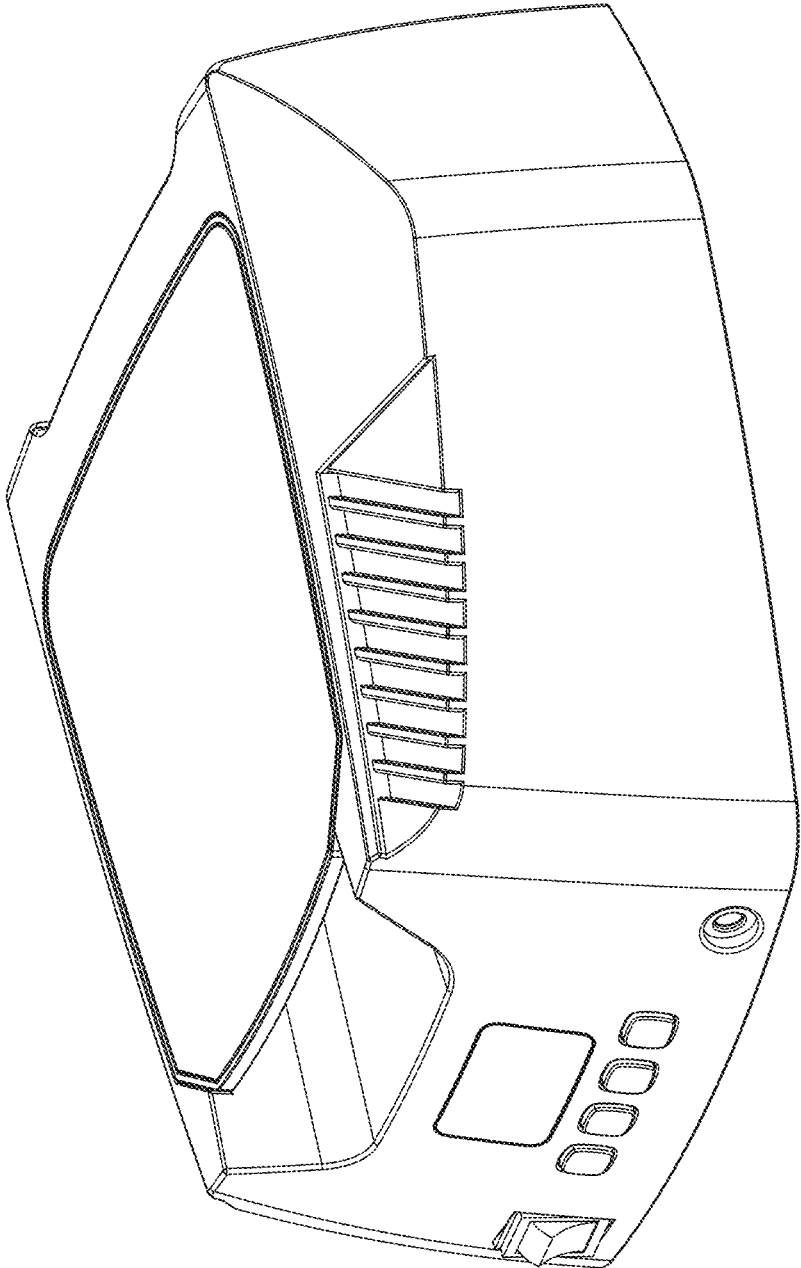


FIG. 1

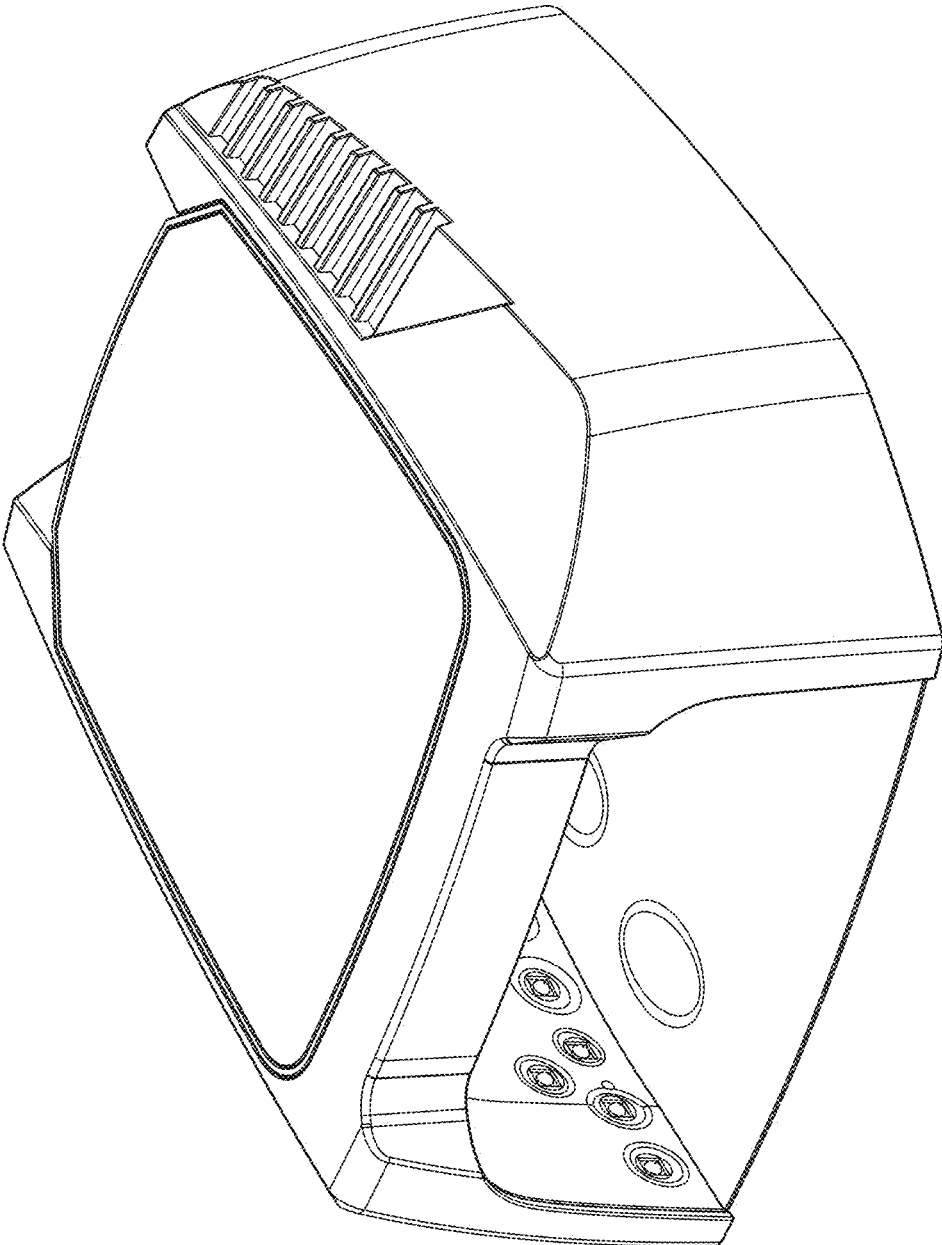


FIG. 2

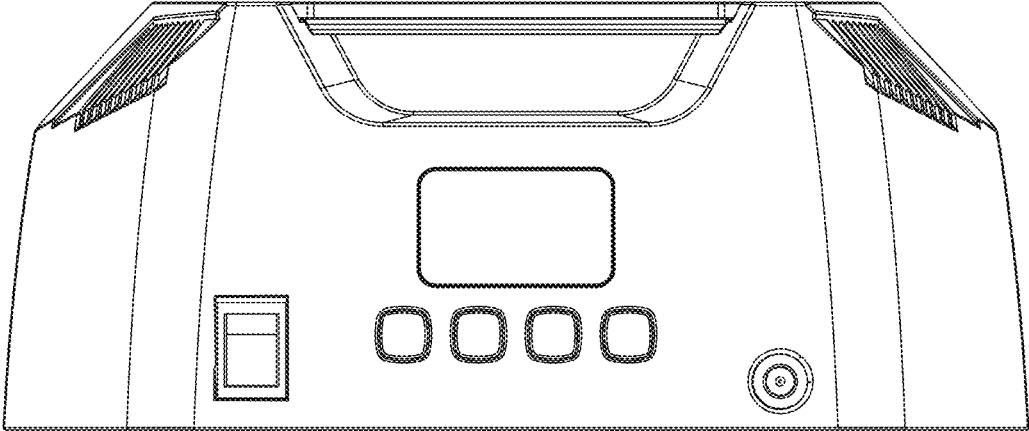


FIG. 3

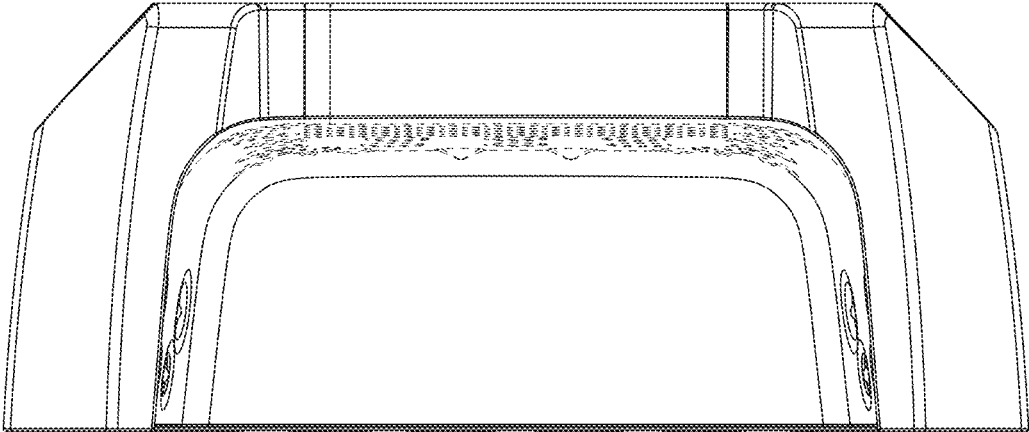


FIG. 4

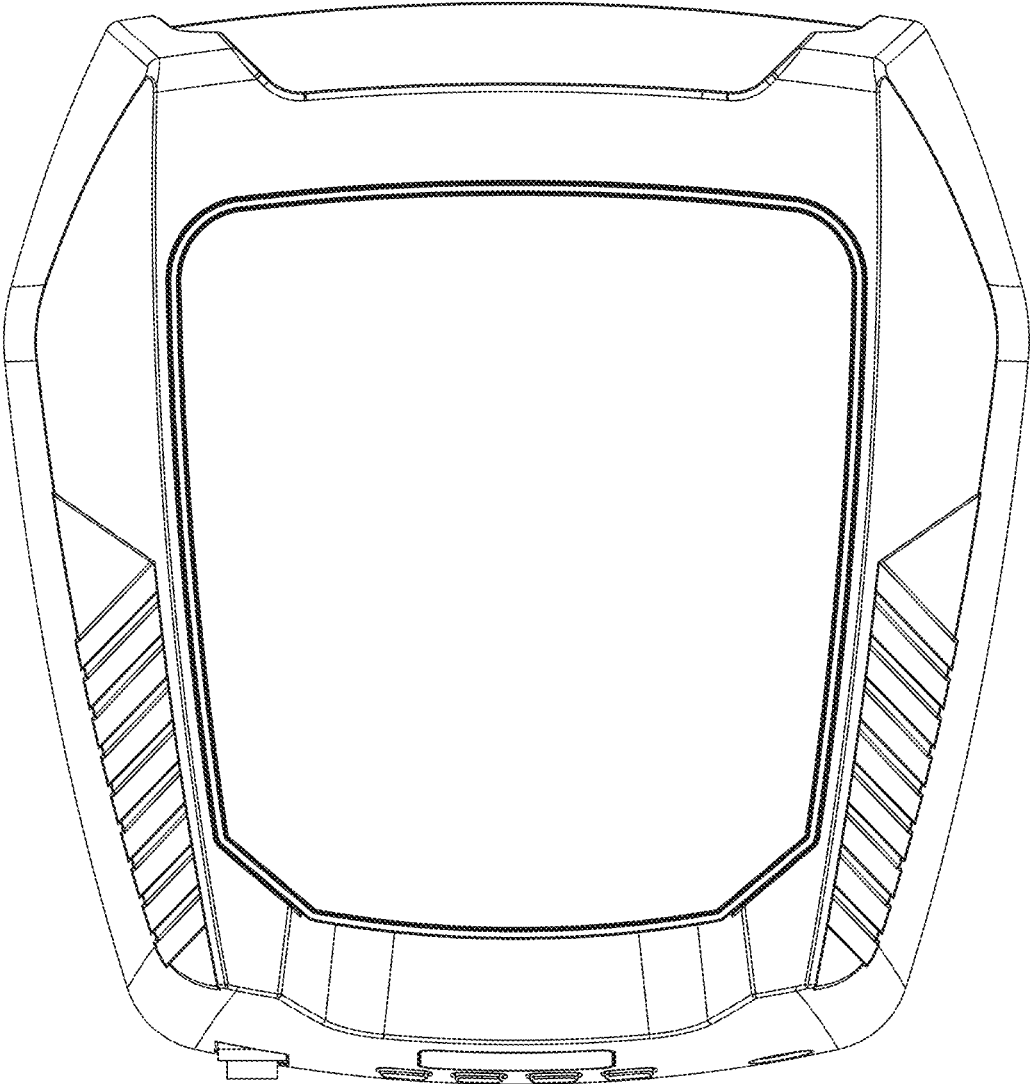


FIG. 5

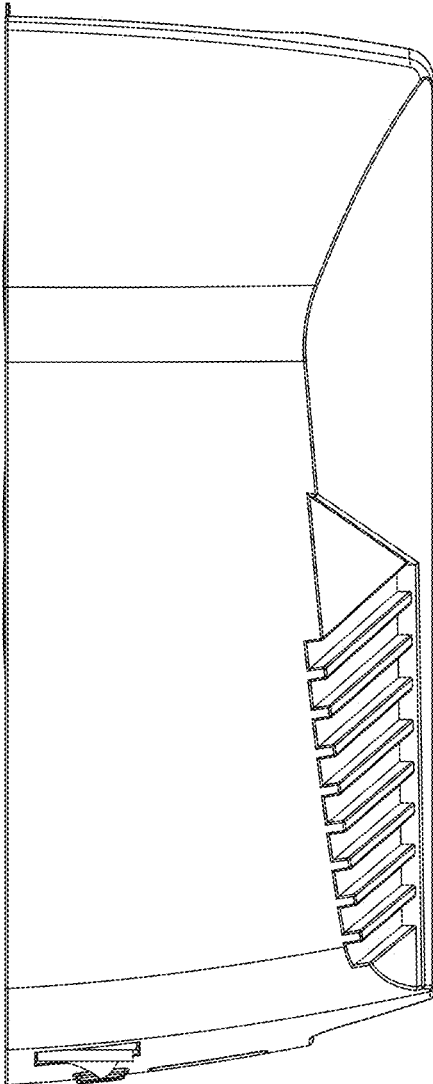


FIG. 6

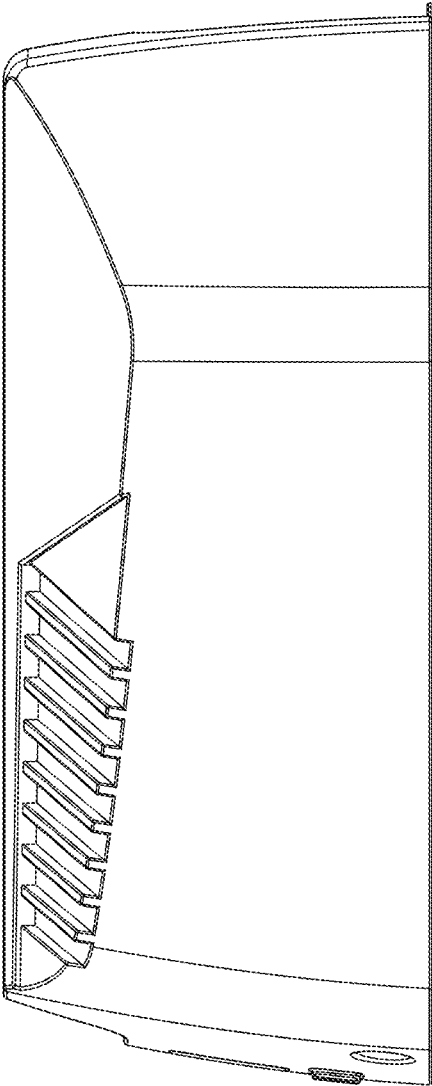


FIG. 7

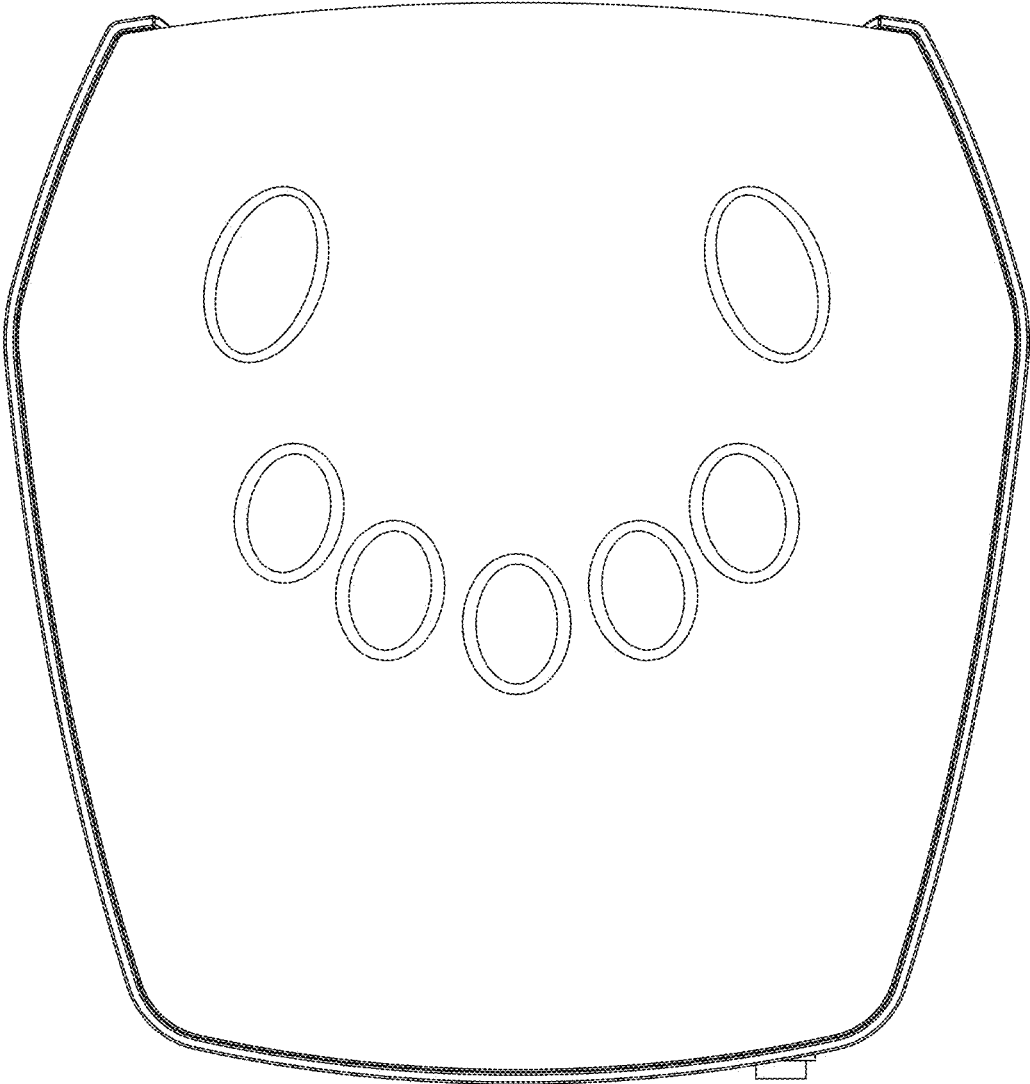


FIG. 8