



US00D999165S

(12) **United States Design Patent**
Que

(10) **Patent No.:** **US D999,165 S**

(45) **Date of Patent:** **** Sep. 19, 2023**

(54) **POWER INVERTER**

(71) Applicant: **Senhe Que**, Fujian (CN)

(72) Inventor: **Senhe Que**, Fujian (CN)

(**) Term: **15 Years**

(21) Appl. No.: **29/745,450**

(22) Filed: **Aug. 6, 2020**

(51) **LOC (14) Cl.** **13-02**

(52) **U.S. Cl.**
USPC **D13/110**

(58) **Field of Classification Search**
USPC D13/110, 101, 102, 107, 123, 158, 162,
D13/164, 184, 199; D14/257, 432, 433, 438
CPC H02M 7/00; H02M 7/02; H02M 7/003;
H05K 5/00; H05K 5/02; H05K 5/03; H05K
5/0017; H05K 5/0247; H05K 7/00; H05K
7/1427; H05K 7/20918; H05K 7/20136;
Y10T 307/367

See application file for complete search history.

(56) **References Cited**

U.S. PATENT DOCUMENTS

5,521,792 A * 5/1996 Pleitz et al. H05K 7/20854
361/690
5,909,358 A * 6/1999 Bradt H01L 23/4093
257/726

5,949,640 A * 9/1999 Cameron et al. H05K 5/0247
361/600
D551,621 S * 9/2007 Iacovelli et al. D13/110
D716,730 S * 11/2014 Liu et al. D13/110
D719,508 S * 12/2014 Byrne et al. D13/110
D785,565 S * 5/2017 Xu D13/110

OTHER PUBLICATIONS

<https://www.amazon.com/Bapdas-Power-Inverter-Converter-Adapter-Black/dp/B01M9C5C4L?th=1> Oct. 17, 2016 (Year: 2016).*

* cited by examiner

Primary Examiner — Derrick E Holland
(74) *Attorney, Agent, or Firm* — Jeenam Park

(57) **CLAIM**

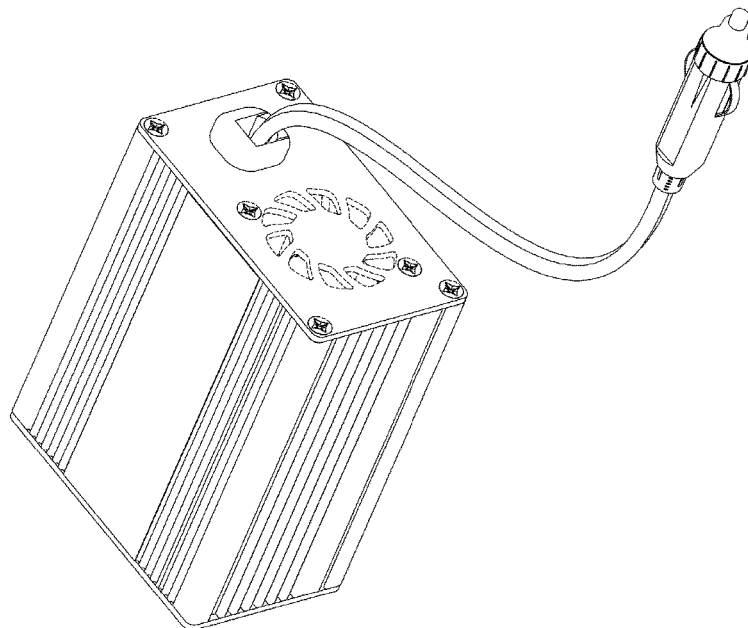
The ornamental design for a POWER INVERTER, as shown and described.

DESCRIPTION

FIG. 1 is a perspective view of a POWER INVERTER showing the new design;
FIG. 2 is a front elevational view thereof;
FIG. 3 is a rear elevational view thereof;
FIG. 4 is a left side elevational view thereof;
FIG. 5 is a right side elevational view thereof;
FIG. 6 is a top plan view thereof; and
FIG. 7 is a bottom plan view thereof.

The broken lines shown represent the portions of the power inverter that form no part of the claimed design.

1 Claim, 7 Drawing Sheets



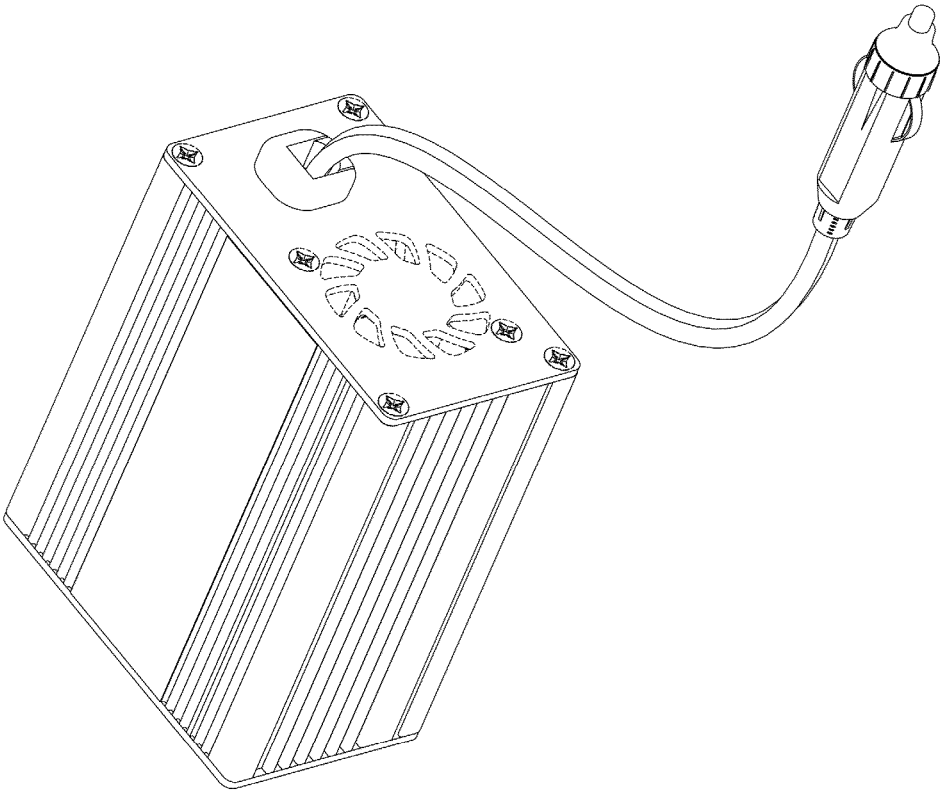


Figure 1

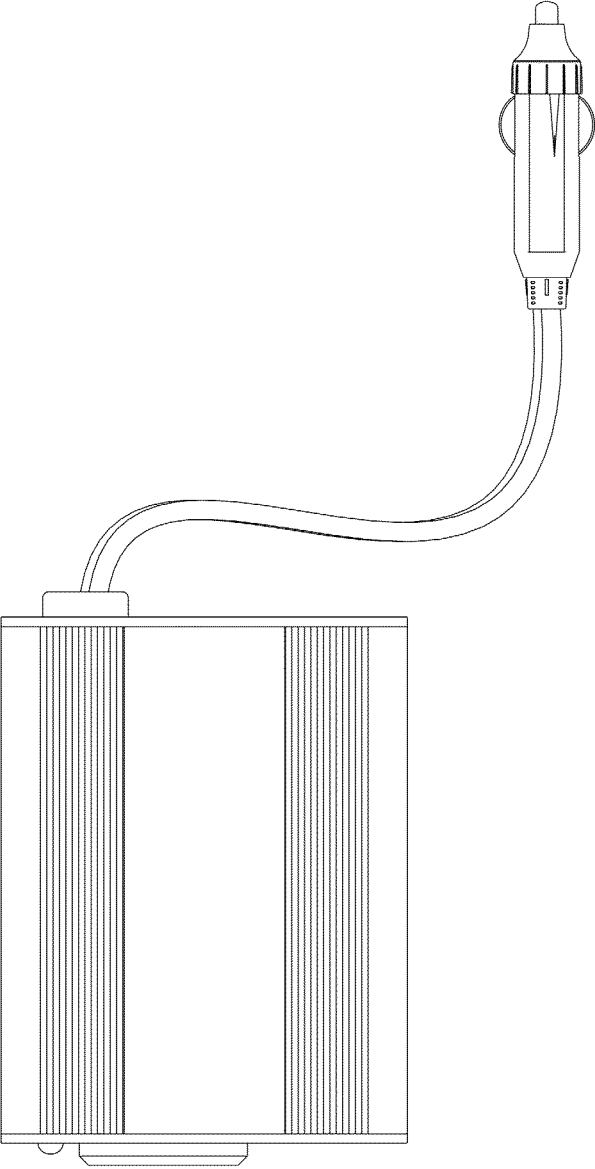


Figure 2

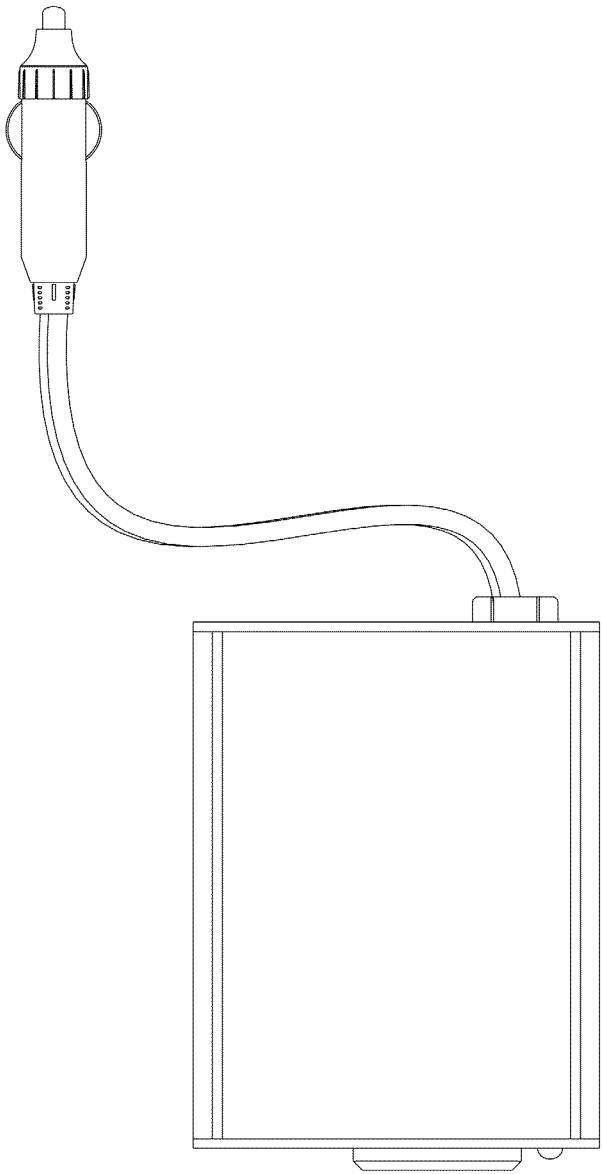


Figure 3

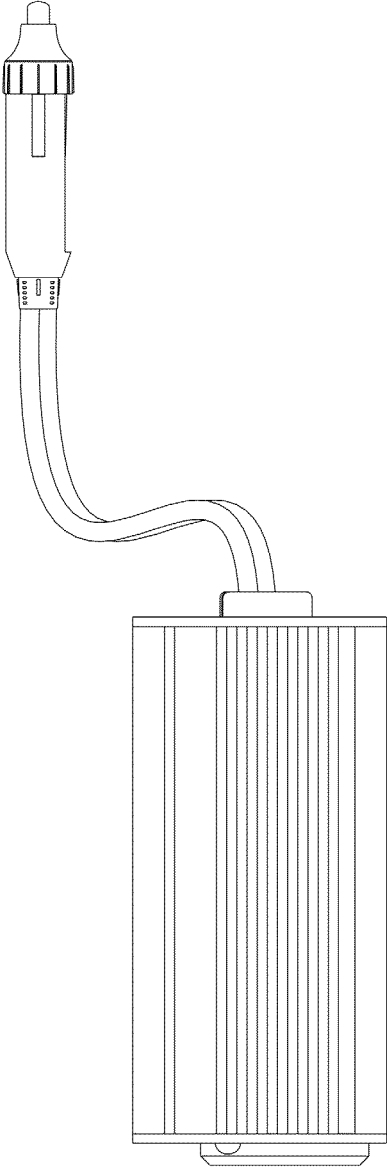


Figure 4

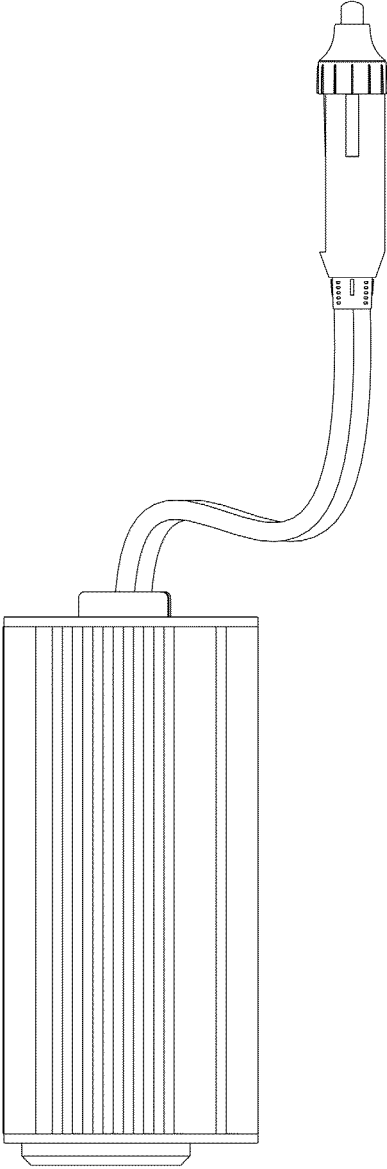


Figure 5

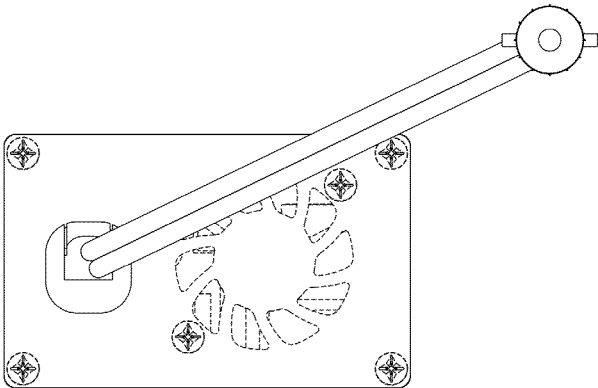


Figure 6

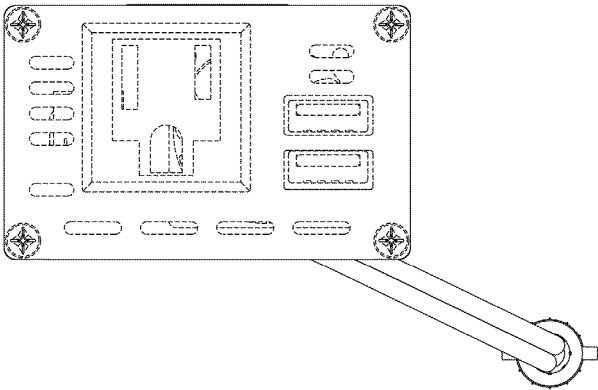


Figure 7