



US00D477735S

(12) **United States Design Patent**  
**Solowiej**

(10) **Patent No.:** **US D477,735 S**

(45) **Date of Patent:** **\*\* Jul. 29, 2003**

- (54) **TOWEL RING**
- (75) **Inventor:** Leszek Solowiej, Montville, NJ (US)
- (73) **Assignee:** Bath Unlimited, Inc., Passaic, NJ (US)
- (\*\*) **Term:** 14 Years

D391,105 S	*	2/1998	Sharpe	.....	D6/546
D408,188 S	*	4/1999	Kuo	.....	D6/550
D408,669 S	*	4/1999	Kuo	.....	D6/550
D417,994 S	*	12/1999	Roth et al.	.....	D6/546
D464,832 S	*	10/2002	Moore	.....	D6/546
D465,956 S	*	11/2002	Ouyoung	.....	D6/550
D466,350 S	*	12/2002	Tai	.....	D6/550

- (21) **Appl. No.:** 29/162,374
- (22) **Filed:** Jun. 14, 2002
- (51) **LOC (7) Cl.** ..... 06-04
- (52) **U.S. Cl.** ..... D6/546
- (58) **Field of Search** ..... D6/546-50, 518-19,  
D6/522-24; D8/300, 303, 307, 315-21,  
354, 363, 373, 380; 108/28-29; 211/13.1,  
16, 60.1, 86.01, 87.01, 88.01, 88.04, 100,  
105.1-105.2, 119,003, 123, 126.1, 133.6,  
134, 181.1, 182; 248/175, 176.1, 200, 214,  
251, 302, 309.1; 16/110.1, 412, 415; 242/570,  
590, 595-598; 206/389, 557

\* cited by examiner

*Primary Examiner*—Brian N. Vinson  
(74) *Attorney, Agent, or Firm*—Edgar A. Zarins; Lloyd D. Doigan

(57) **CLAIM**

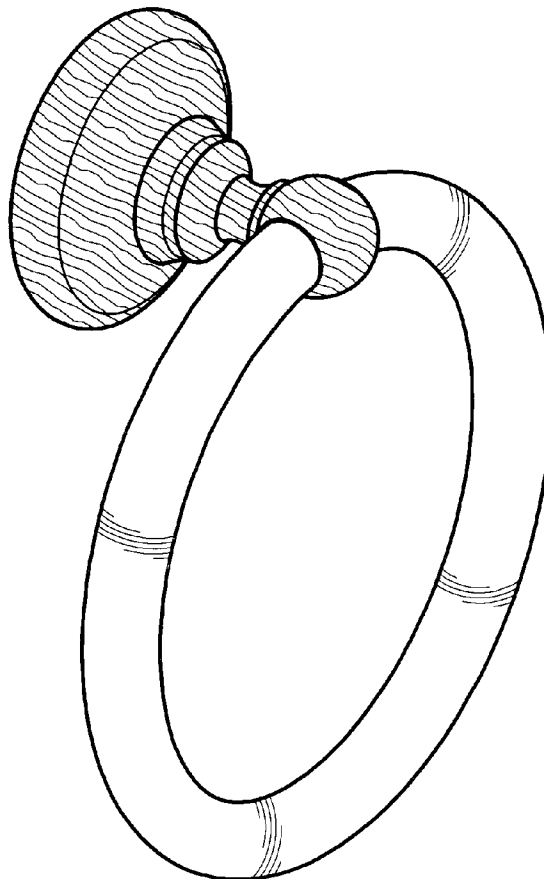
The ornamental design for a towel ring, as shown and described.

**DESCRIPTION**

- FIG. 1 is a perspective view of a towel ring showing my new design;
- FIG. 2 is a right side view thereof;
- FIG. 3 is a left side view thereof;
- FIG. 4 is a front elevational view thereof;
- FIG. 5 is a top plan view thereof;
- FIG. 6 is a bottom plan view thereof; and,
- FIG. 7 is a rear view thereof.

- (56) **References Cited**  
U.S. PATENT DOCUMENTS  
4,907,771 A \* 3/1990 Wang ..... 248/251 X  
D357,838 S \* 5/1995 Lehn et al. .... D6/546  
D360,792 S \* 8/1995 Sharpe ..... D6/546

**1 Claim, 3 Drawing Sheets**



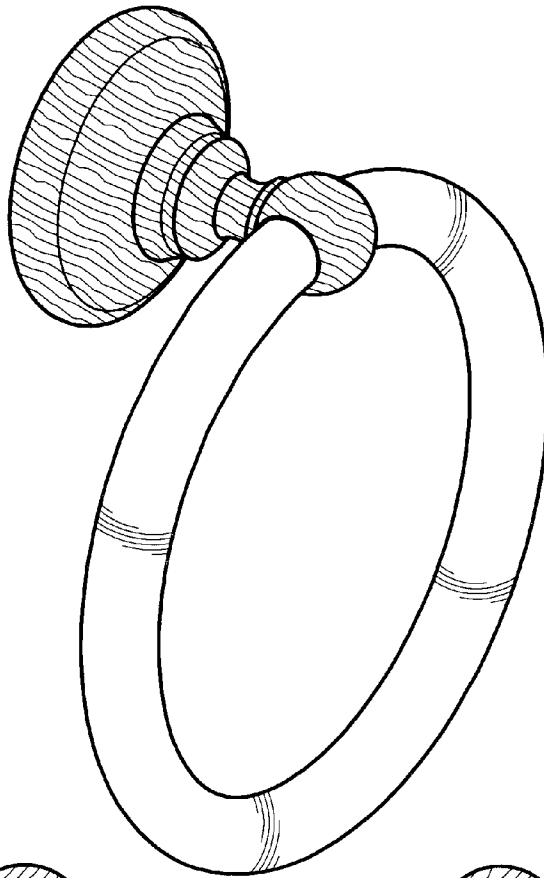


Figure - 1

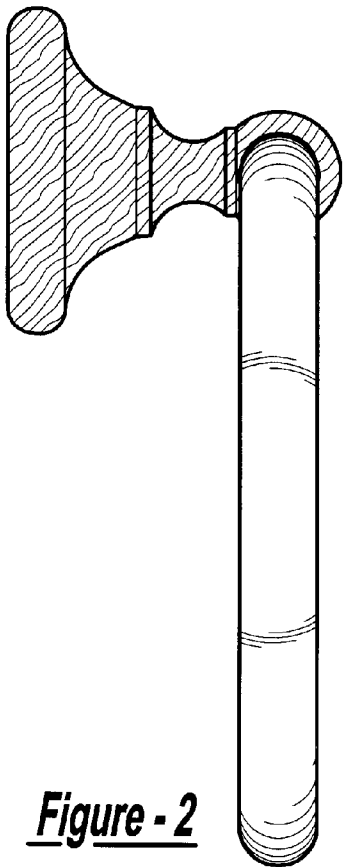


Figure - 2

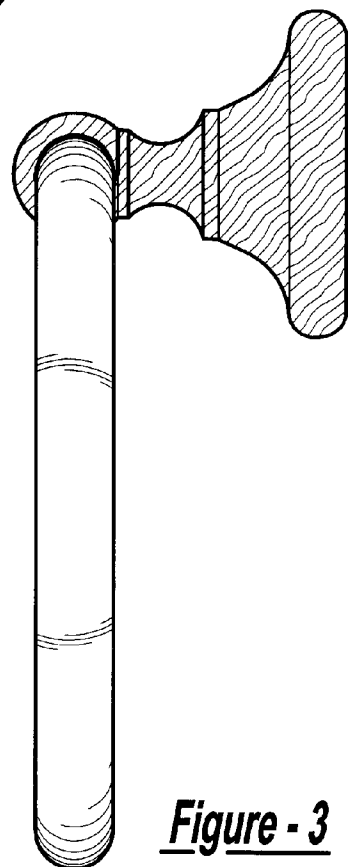


Figure - 3

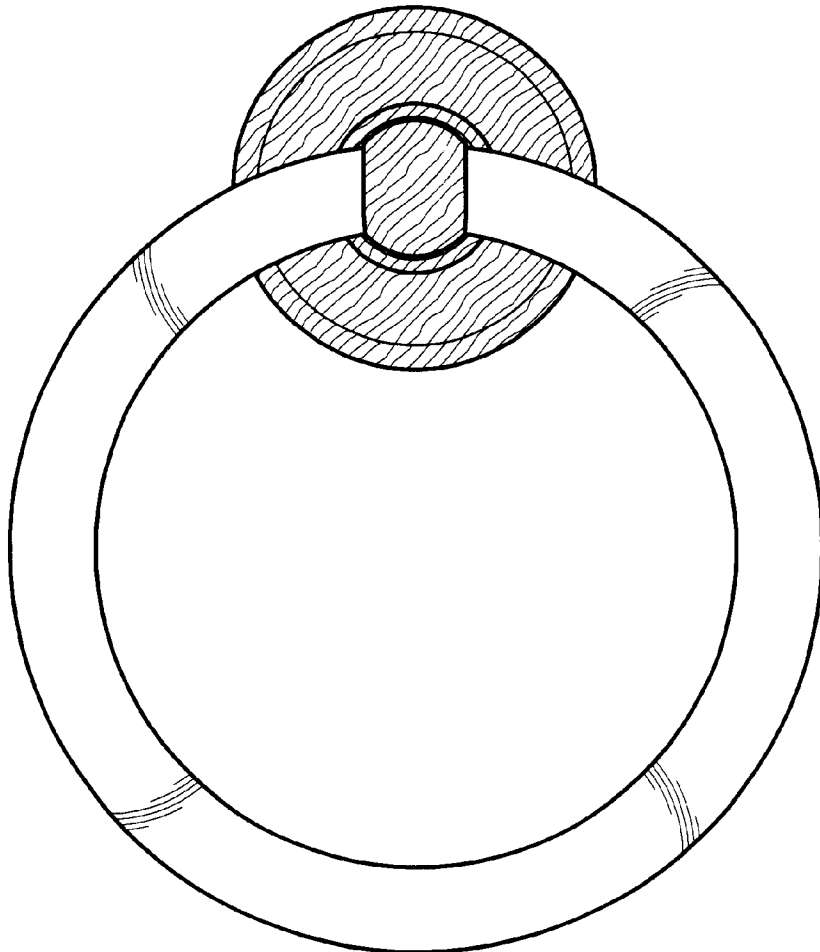


Figure - 4

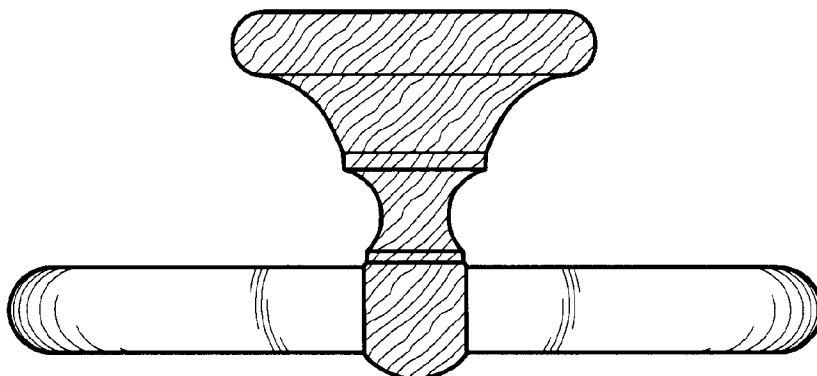


Figure - 5

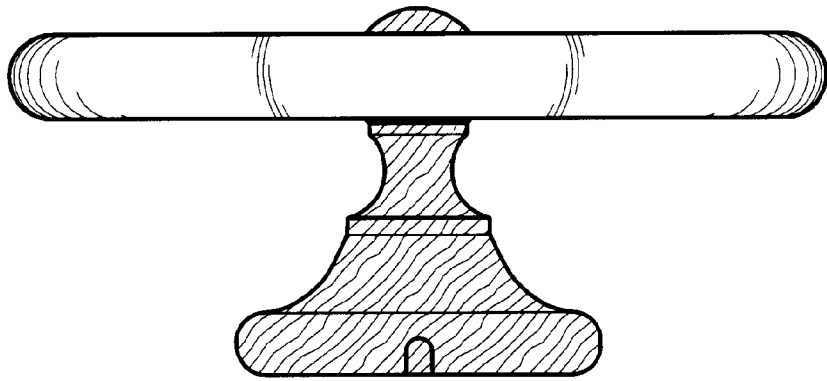


Figure - 6

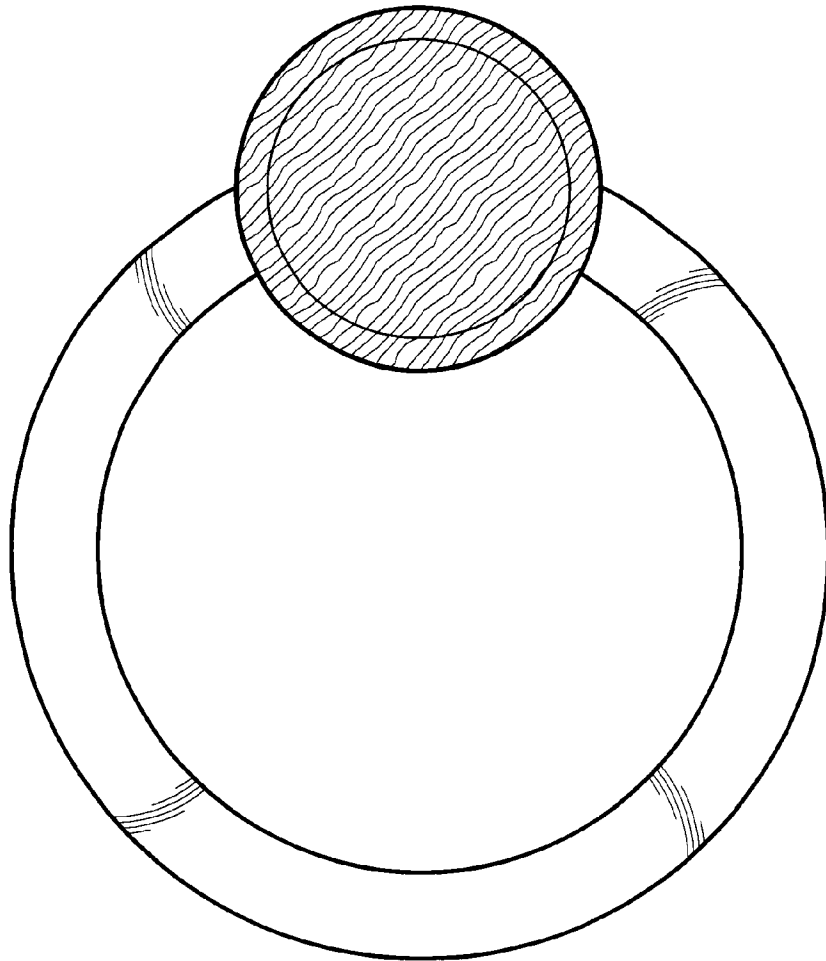


Figure - 7